

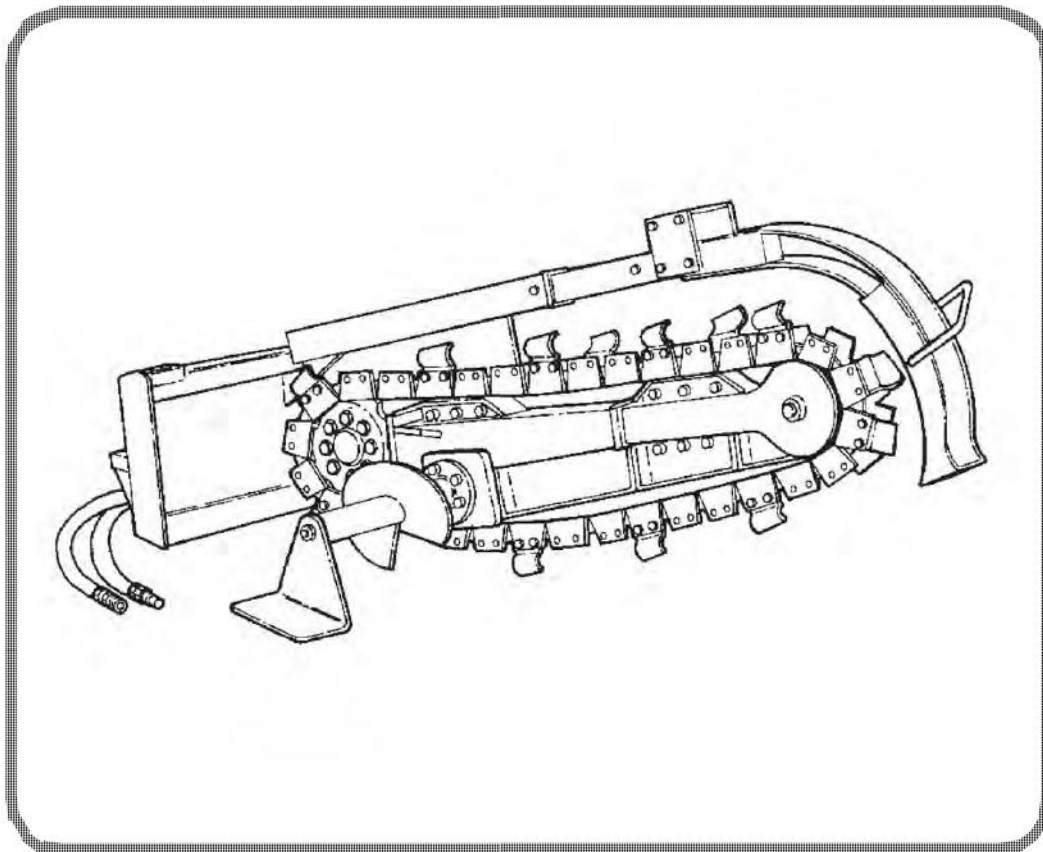


Bobcat®

Service Manual Trencher

(LT 102) S/N 233600101 & Above
(LT 102A) S/N 233700101 & Above
(MX 102) S/N 233900101 & Above
(LT 203) S/N 706200101 & Above
(LT 204) S/N 420400101 & Above

(LT 303) S/N 420500101 & Above
(LT 304) S/N 690900101 & Above
(LT 305) S/N 247100101 & Above
(LT 405) S/N 705100101 & Above
(LT 405) S/N 610000101 & Above



Dealer Copy -- Not for Resale



MAINTENANCE SAFETY



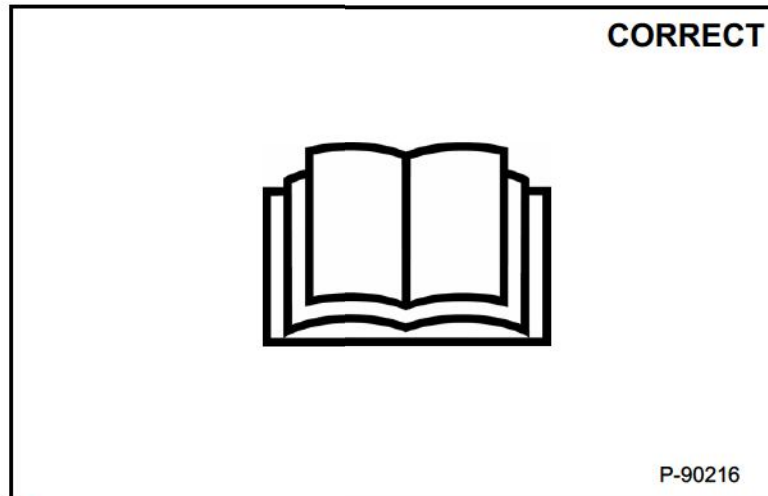
WARNING









Instructions are necessary before operating or servicing machine. Read and understand the Operation & Maintenance Manual, Operator's Handbook and signs (decals) on machine. Follow warnings and instructions in the manuals when making repairs, adjustments or servicing. Check for correct function after adjustments, repairs or service. Untrained operators and failure to follow instructions can cause injury or death.

W-2003-0807



Safety Alert Symbol: This symbol with a warning statement, means: "Warning, be alert! Your safety is involved!" Carefully read the message that follows.



-  Never service attachments / implements without instructions. See Operation & Maintenance Manual and Attachment / Implement Service Manual.
-  Cleaning and maintenance are required daily.
-  Never service or adjust attachment / implement with the engine running unless instructed to do so in manual.
-  Always lower the attachment / implement to the ground before lubricating or servicing.
-  Avoid contact with leaking hydraulic fluid or diesel fuel under pressure. It can penetrate skin or eyes.
-  Stop, cool and clean engine of flammable materials before checking fluids.
-  Keep body, loose objects and clothing away from moving parts, electrical contacts, hot parts and exhaust.
-  Safety glasses are needed for eye protection from electrical arcs, battery acid, compressed springs, fluids under pressure and flying debris or when tools are used. Use eye protection approved for type of welding.

Dealer Copy -- Not for Resale

MSW30-0409

CONTENTS

SAFETY AND MAINTENANCE	10-01
HYDRAULIC SYSTEM	20-01
MAINFRAME	30-01
SPECIFICATIONS	SPEC-01
ALPHABETICAL INDEX	INDEX-01

FOREWORD

SERIAL NUMBER LOCATION	1-7
Attachment Serial Number	1-7
DELIVERY REPORT	1-9
ATTACHMENT IDENTIFICATION	1-10
LT102 Trencher	1-10
LT102A Trencher	1-11
MX102 Trencher	1-12
LT203 And LT204 Trencher	1-13
LT303 And LT304 Trencher	1-14
LT305 Trencher	1-15
LT405 Trencher (S/N 705100101 & Above)	1-16
LT405 Trencher (S/N 610000101 & Above)	1-17

Dealer Copy -- Not for Resale

<https://www.ebooklibonline.com>

Hello dear friend!

Thank you very much for reading.

Enter the link into your browser.

The full manual is available for immediate download.

<https://www.ebooklibonline.com>

SERIAL NUMBER LOCATION

Attachment Serial Number

Figure 1

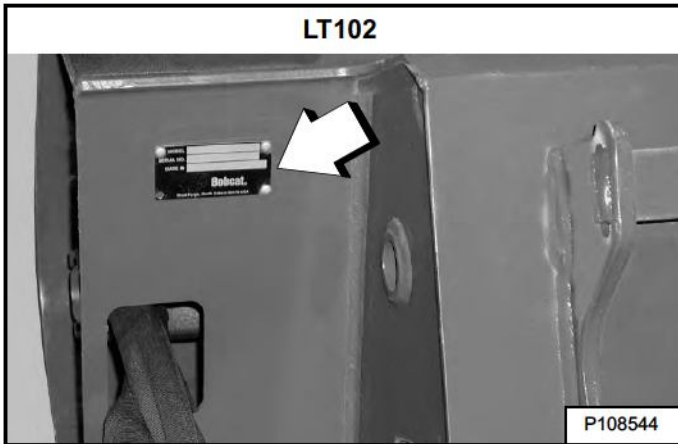


Figure 2

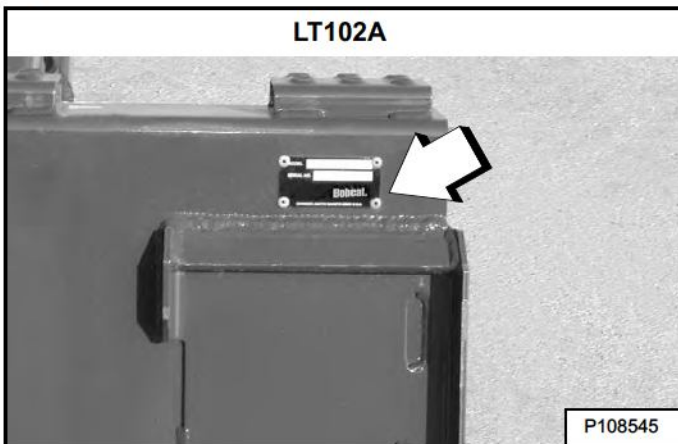


Figure 3

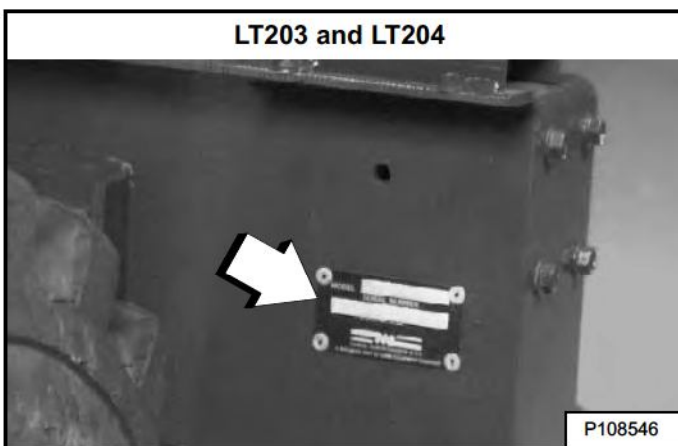


Figure 4

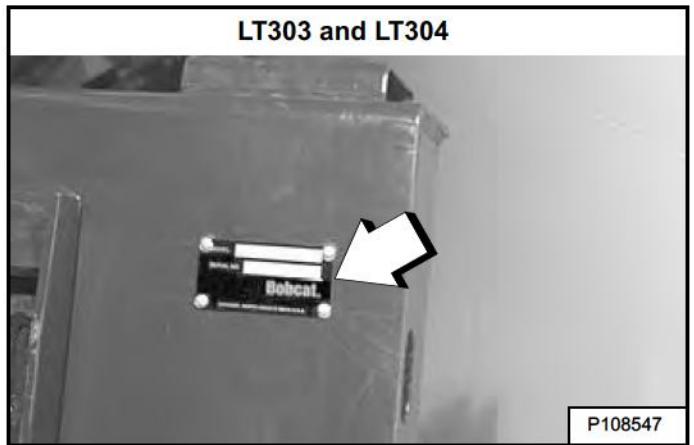


Figure 5

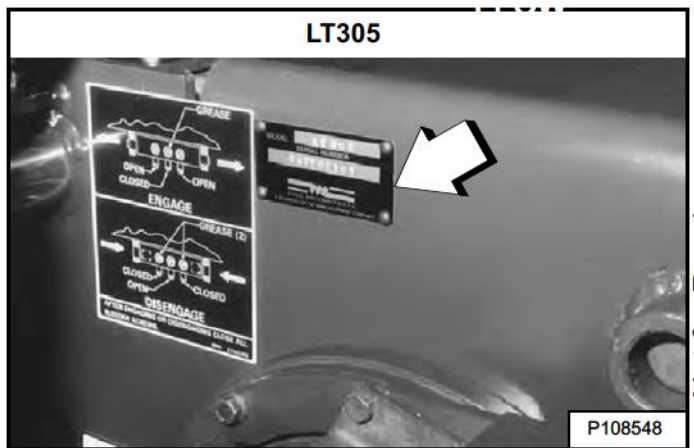
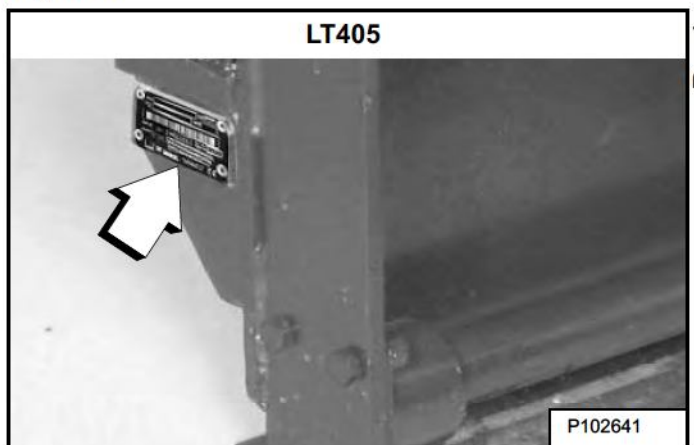


Figure 6

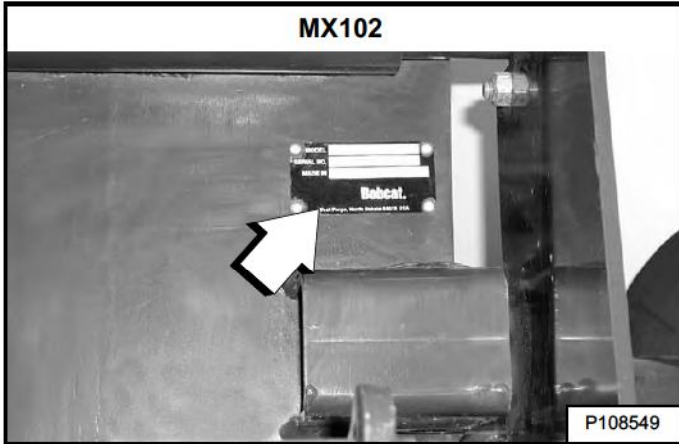


Always use the serial number of the trencher when requesting service information or when ordering parts. Early or later models (identification made by serial number) may use different parts, or it may be necessary to use a different procedure in doing a specific service operation [Figure 1], [Figure 2], [Figure 3], [Figure 4], [Figure 5], and [Figure 6].

SERIAL NUMBER LOCATION (CONT'D)

Attachment Serial Number (Cont'd)

Figure 7



Always use the serial number of the trencher when requesting service information or when ordering parts. Early or later models (identification made by serial number) may use different parts, or it may be necessary to use a different procedure in doing a specific service operation [Figure 7].

DELIVERY REPORT

Figure 8

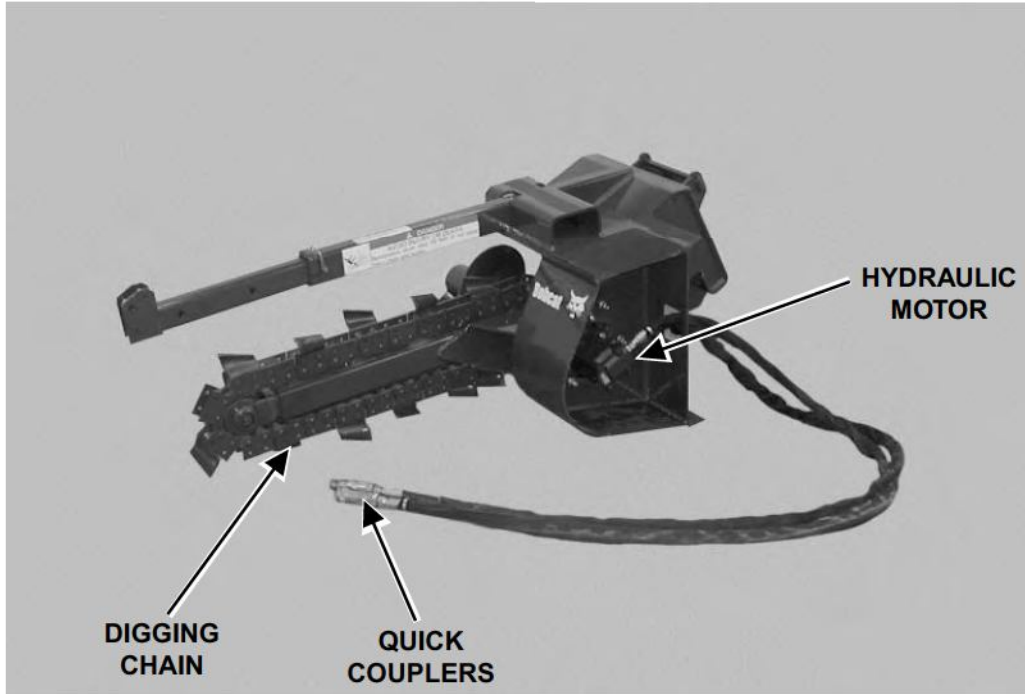
The image shows a Bobcat 'Delivery Report Attachments' form. At the top left is the Bobcat logo. The form includes a header for 'Delivery Report Attachments' with fields for 'Dealer Number' and 'Dealer Name'. Below this is a 'CHECKLIST OF ATTACHMENTS' section with a grid of checkboxes for items like 'Operator's Manual', 'Safety Labels', 'Warranty Card', etc. A 'WARNING' section follows, containing a triangle icon and a list of safety instructions. At the bottom, there are signature lines for 'Owner/Operator Signature' and 'Dealer Representative Signature', along with a date field. The number 'NA7494' is printed in a box on the right side of the form.

The delivery report [Figure 8] must be completed by the dealer and signed by the owner or operator when the trencher is delivered. An explanation of the form must be given to the owner.

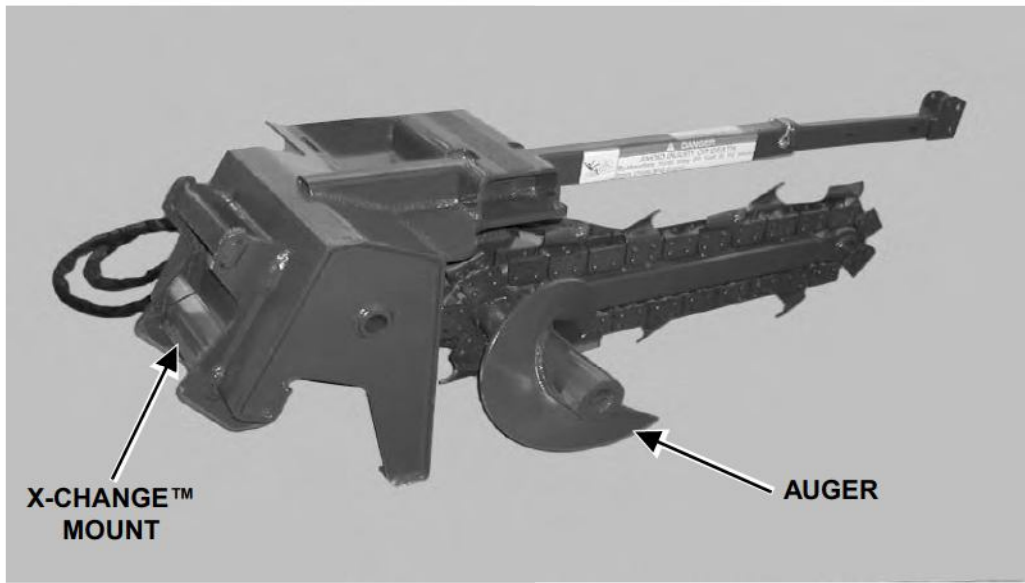
Dealer Copy -- Not for Resale

ATTACHMENT IDENTIFICATION

LT102 Trencher



P-22776

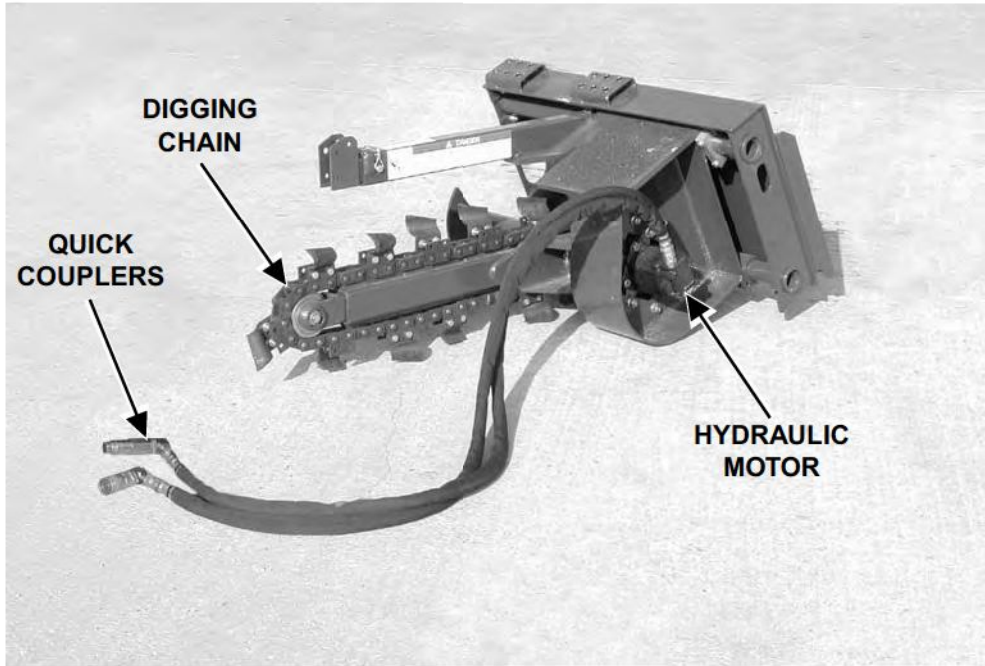


P-22777

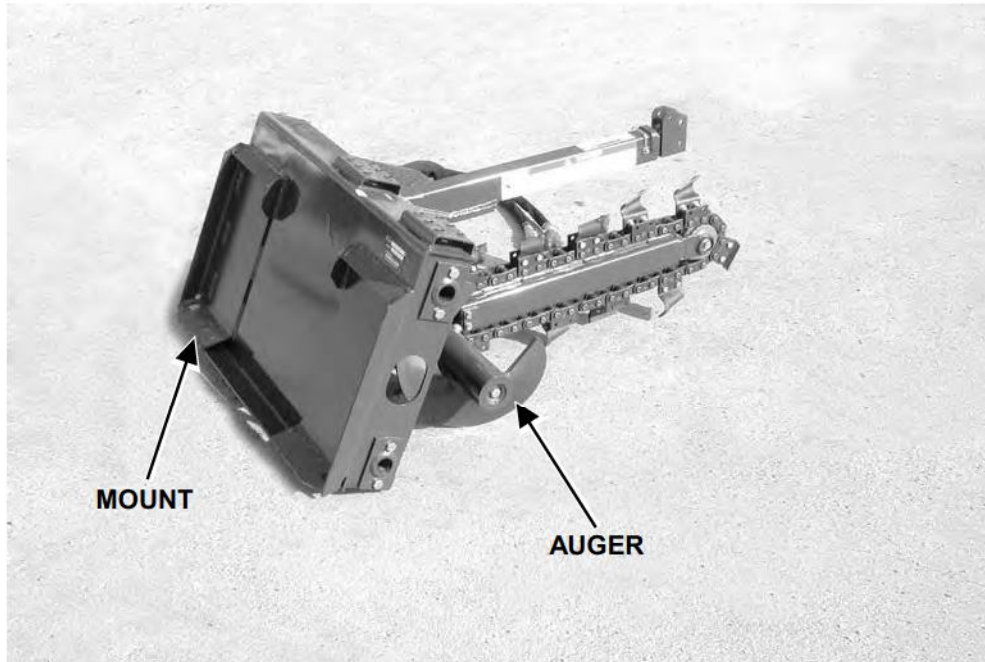
Dealer Copy -- Not for Resale

ATTACHMENT IDENTIFICATION (CONT'D)

LT102A Trencher



P-27784

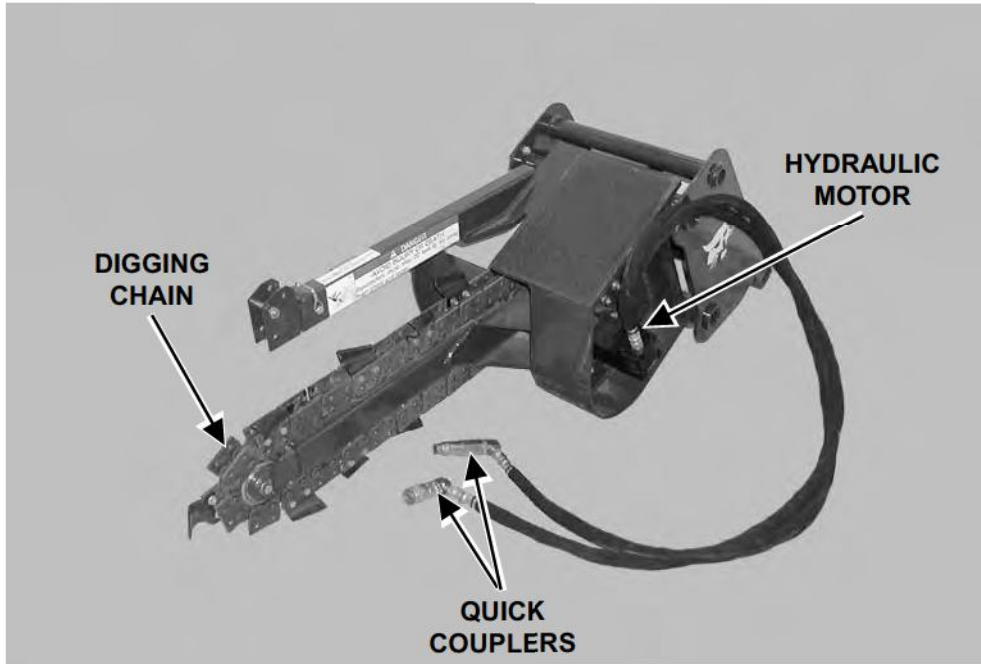


P-27785

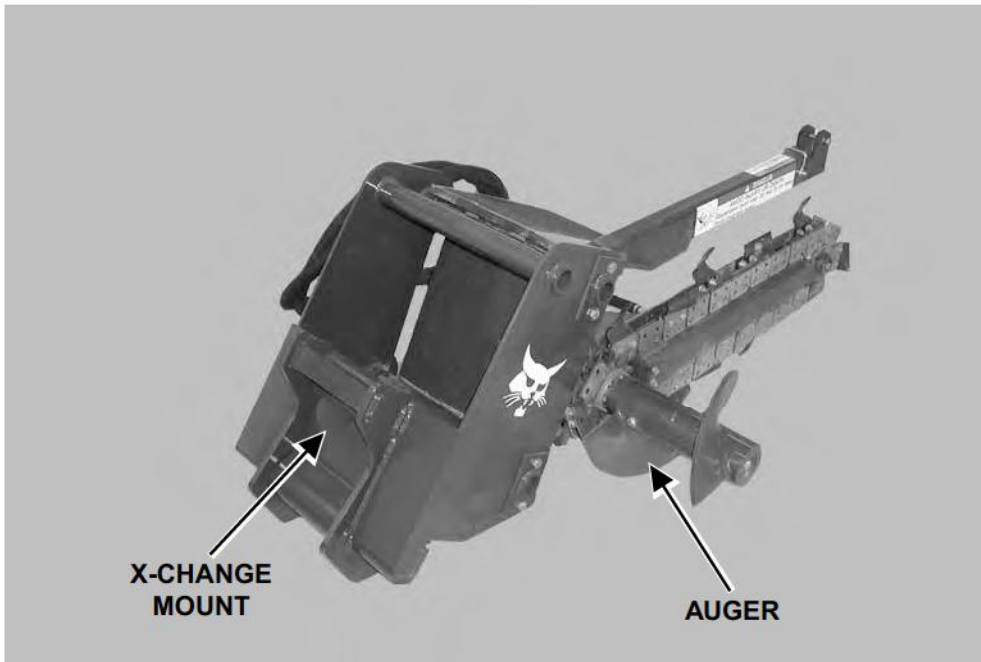
Dealer Copy -- Not for Resale

ATTACHMENT IDENTIFICATION (CONT'D)

MX102 Trencher



P-27850

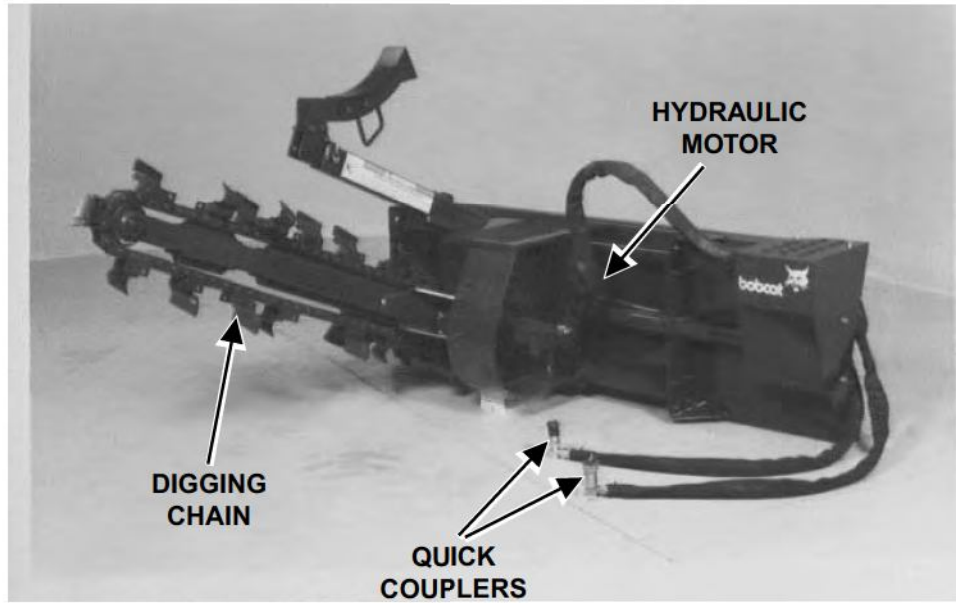


P-27851

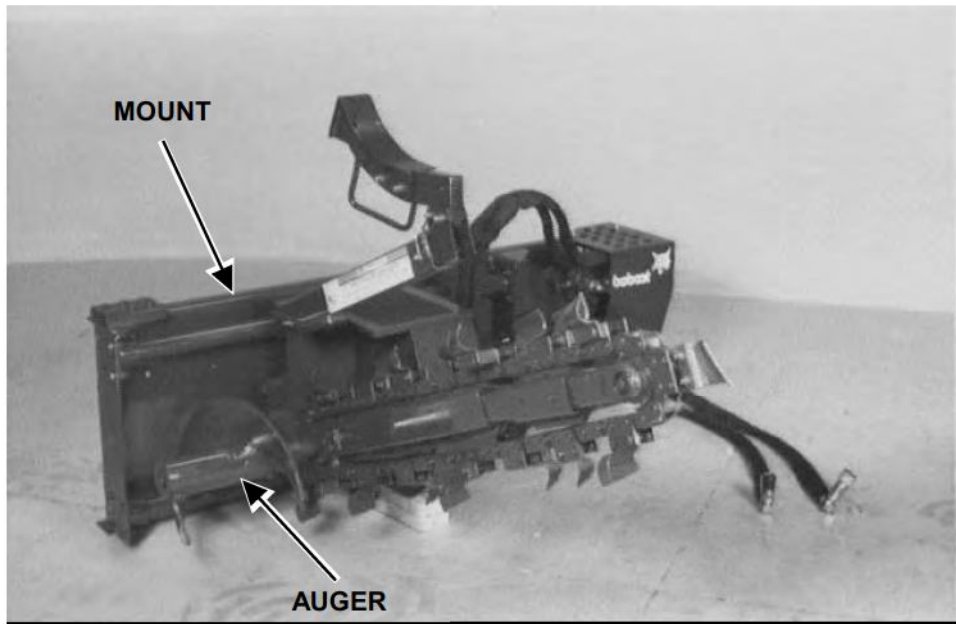
Dealer Copy -- Not for Resale

ATTACHMENT IDENTIFICATION (CONT'D)

LT203 And LT204 Trencher



P5741



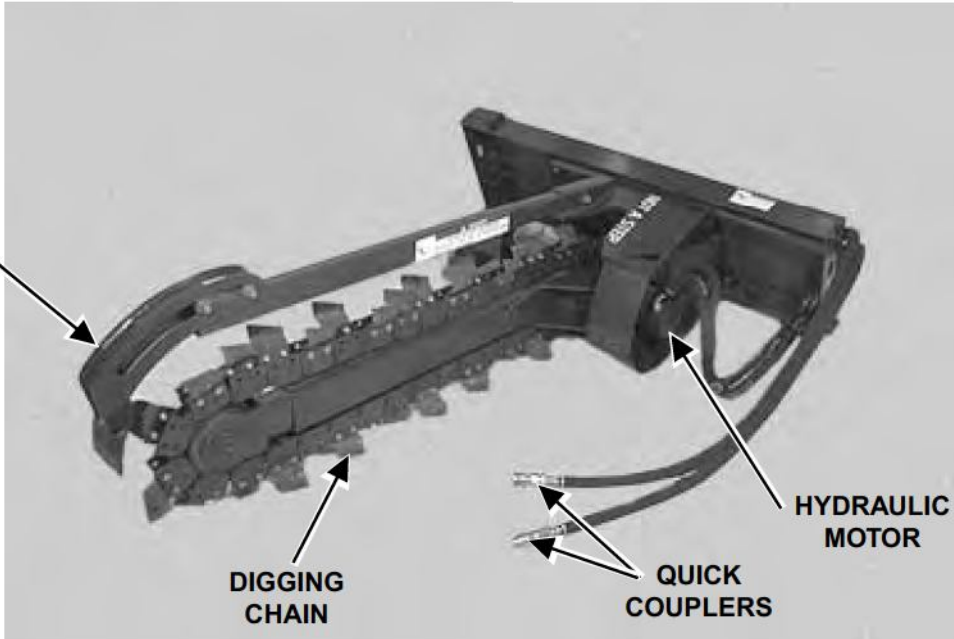
P5742

Dealer Copy -- Not for Resale

ATTACHMENT IDENTIFICATION (CONT'D)

LT303 And LT304 Trencher

TRENCH
CLEANER



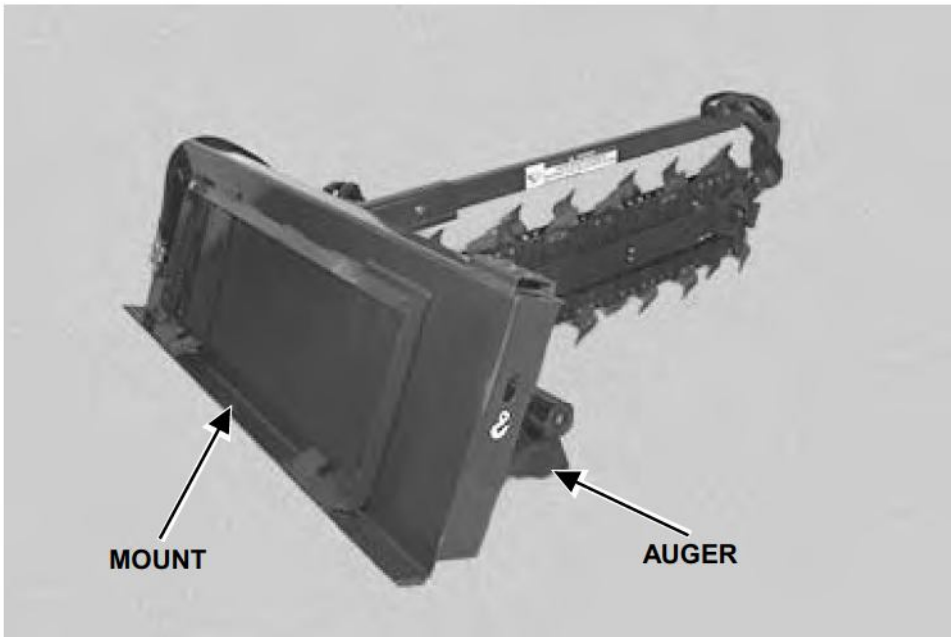
DIGGING
CHAIN

HYDRAULIC
MOTOR

QUICK
COUPLERS

P15672

MOUNT



AUGER

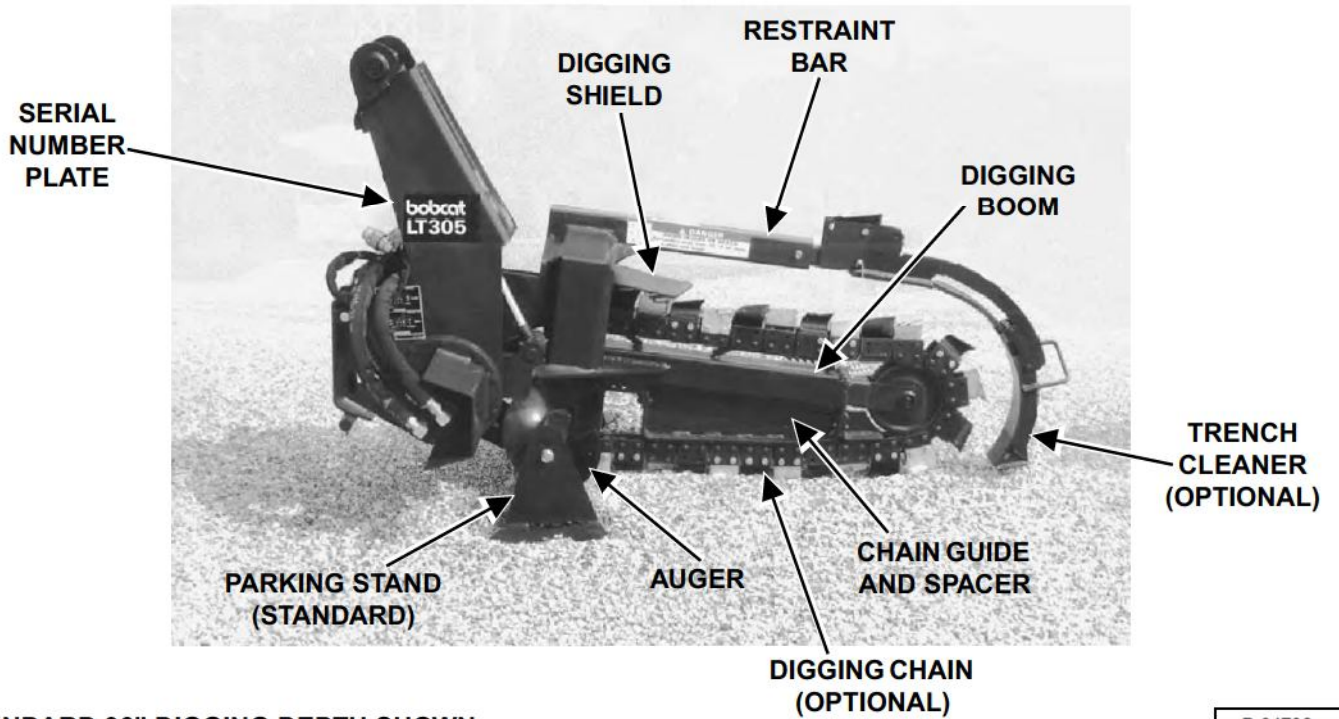
P15673

Dealer Copy -- Not for Resale

ATTACHMENT IDENTIFICATION (CONT'D)

LT305 Trencher

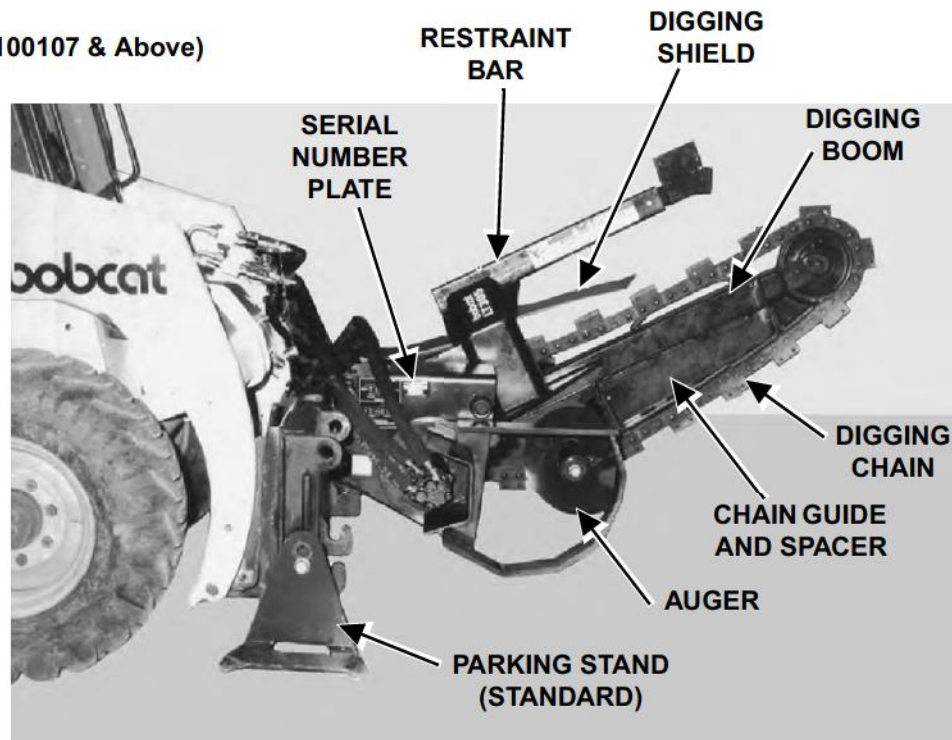
LT305 (S/N 247100101 - 247100106)



STANDARD 36" DIGGING DEPTH SHOWN

P-94732

LT305 (S/N 247100107 & Above)



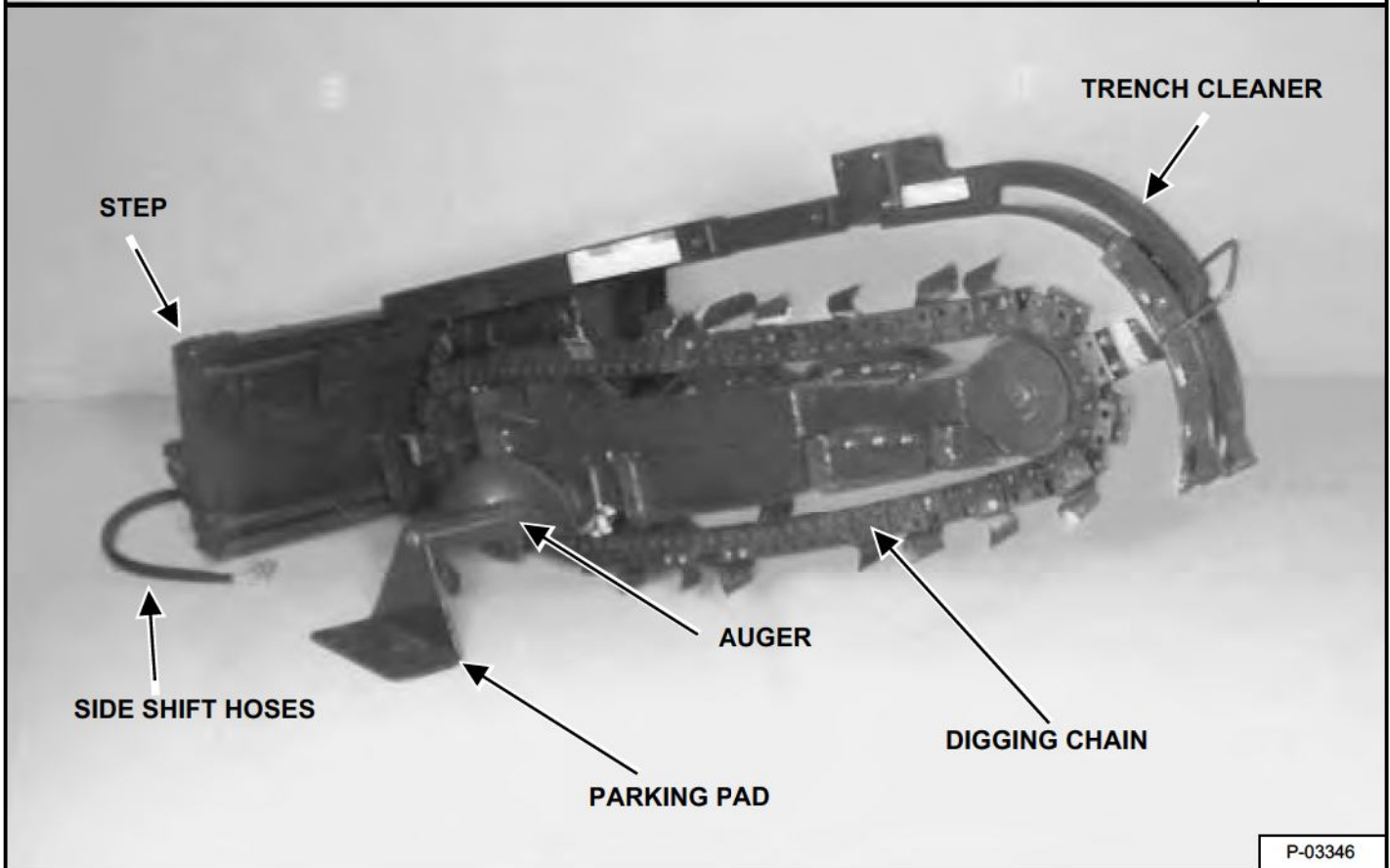
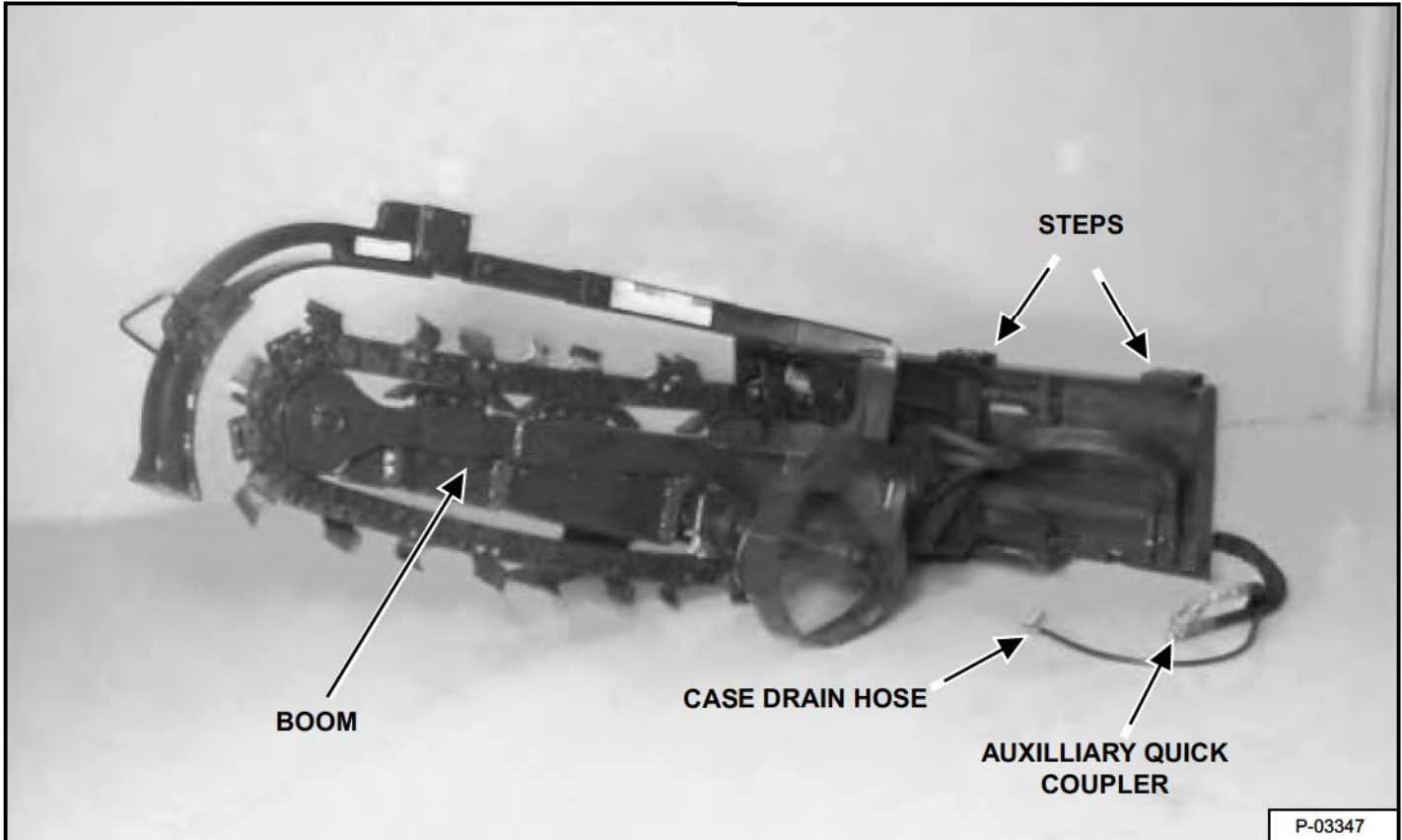
STANDARD 36" DIGGING DEPTH SHOWN

P-94733

Dealer Copy -- Not for Resale

ATTACHMENT IDENTIFICATION (CONT'D)

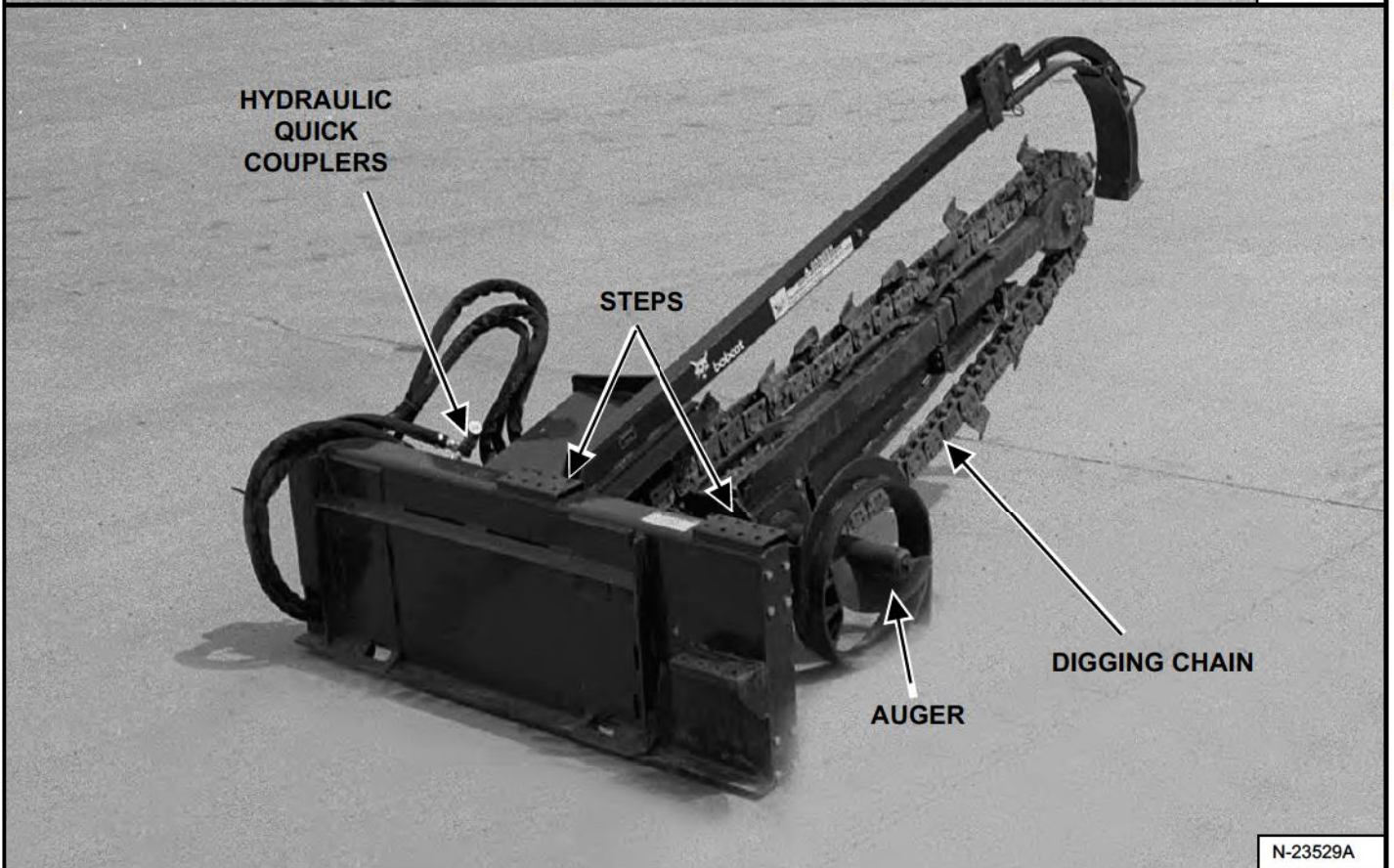
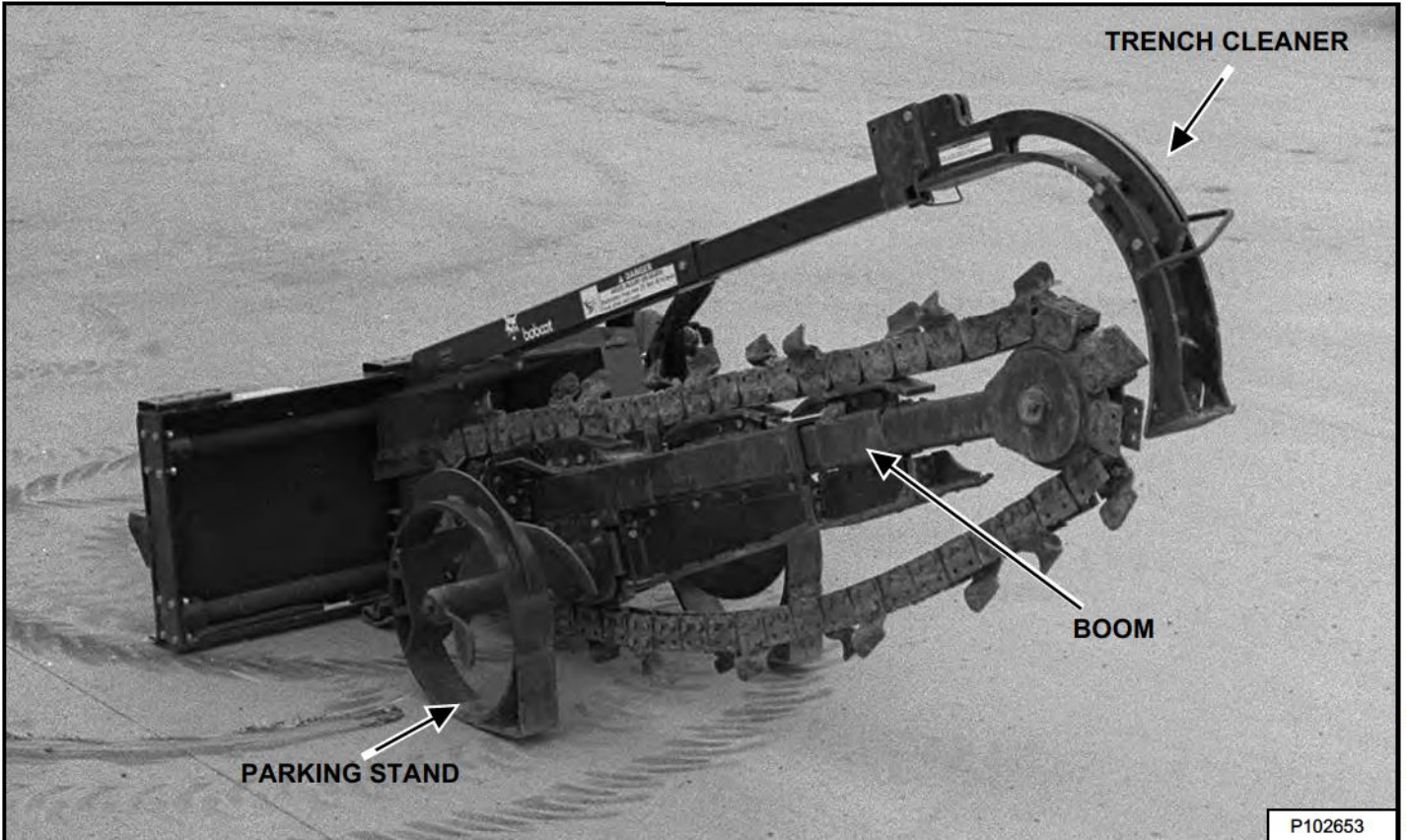
LT405 Trencher (S/N 705100101 & Above)



Dealer Copy -- Not for Resale

ATTACHMENT IDENTIFICATION (CONT'D)

LT405 Trencher (S/N 610000101 & Above)




Dealer Copy -- Not for Resale

SAFETY AND MAINTENANCE

TROUBLESHOOTING	10-10-1
Chart	10-10-1
DAILY INSPECTION	10-20-1
Attachment Mounting Frame	10-20-1
Bob-Tach	10-20-1
X-Change™	10-20-3
Chain Guide Inspection	10-20-3
ATTACHMENT STORAGE AND RETURN TO SERVICE	10-30-1
Storage	10-30-1
Return To Service	10-30-1

TROUBLESHOOTING

Chart

 <b style="font-size: 24px; margin-left: 10px;">WARNING	<p>Instructions are necessary before operating or servicing machine. Read and understand the Operation & Maintenance Manual, Operator's Handbook and signs (decals) on machine. Follow warnings and instructions in the manuals when making repairs, adjustments or servicing. Check for correct function after adjustments, repairs or service. Untrained operators and failure to follow instructions can cause injury or death.</p> <p style="text-align: right; font-size: 10px;">W-2003-0807</p>
--	---

If the attachment is not working correctly, check the hydraulic system of the machine thoroughly before making any repairs on the attachment. Attachment problems can be affected by a hydraulic system that is not operating to specifications. Connect a flow meter to the machine to check the hydraulic pump output, relief valve setting and tube lines to check flow and pressure. (See the machine's Service Manual for the correct procedure to connect the flow meter.)

Use the following troubleshooting chart to locate and correct problems which most often occur with the attachment.

PROBLEM	CAUSE	CORRECTION
Trencher does not mount properly on the Bob-Tach.	Bob-Tach wedges are not fully retracted.	Retract Bob-Tach wedges.
	Mud, dirt or stones are lodged between the Bob-Tach and the trencher mount.	Remove debris from between Bob-Tach and trencher mount.
Trencher does not operate.	No hydraulic flow.	Activate front auxiliary hydraulics.
		Check quick couplers connections. Check for damaged hose ends and fittings.
Trencher does not lock properly on the trenching attachment adapter (LT305 only).	Loose, damaged or missing grease fittings on the attachment, grease cylinder.	Replace grease fittings.
Digging chain does not stay adjusted to correct tension.	Damaged grease cylinder.	Repair or replace grease cylinder.

Dealer Copy -- Not for Resale



Suggest:

If the above button click is invalid.

Please download this document

first, and then click the above link

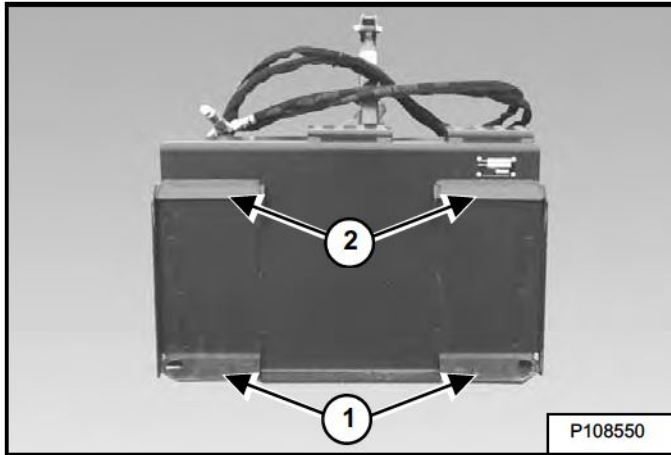
to download the complete manual.

Thank you so much for reading

DAILY INSPECTION

Attachment Mounting Frame

Figure 10-20-1



Inspect the Bob-Tach™ wedge mounts (Item 1), mounting flange (Item 2) [Figure 10-20-1] and all welds on the trencher for wear and damage each time the trencher is removed from the machine.

Frequently inspect the trencher to ensure that all components are secure and that all bolts and nuts are thoroughly tightened.

Bob-Tach

Hand Lever Bob-Tach

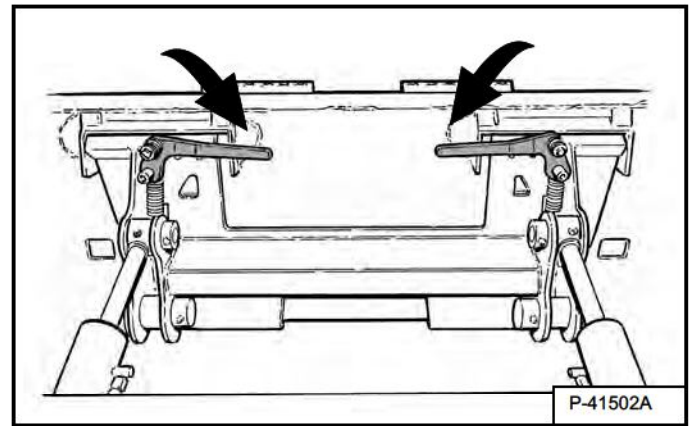


AVOID INJURY OR DEATH

The Bob-Tach wedges must extend through the holes in the attachment mounting frame. Levers must be fully down and locked. Failure to secure wedges can allow attachment to come off.

W-2715-0208

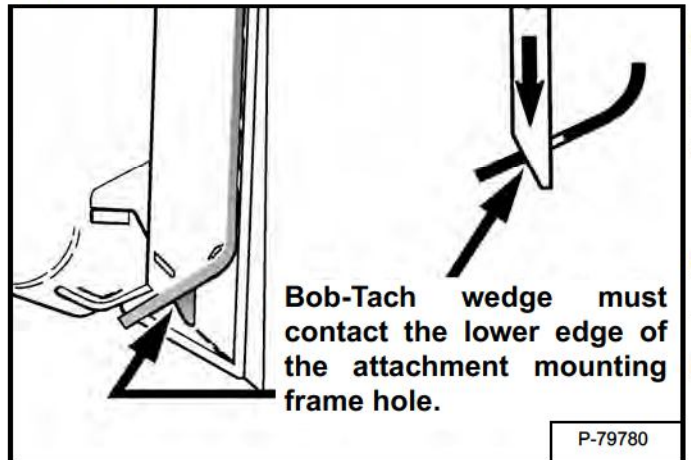
Figure 10-20-2



Push down on the Bob-Tach levers until they are fully engaged in the locked position [Figure 10-20-2] (wedges fully extended through the attachment mounting frame holes).

The levers and wedges must move freely [Figure 10-20-2].

Figure 10-20-3



The wedges must extend through the holes in the attachment mounting frame, securely fastening the attachment to the Bob-Tach [Figure 10-20-3].

NOTE: If the wedge does not contact the lower edge of the hole, the attachment will be loose and can come off the Bob-Tach.

Inspect the mounting frame on the attachment. (See the machine's Operation & Maintenance Manual for inspecting the Bob-Tach). Replace any parts that are damaged, bent or missing. Keep all fasteners tight. Look for cracked welds. Contact your Bobcat dealer for repair or replacement parts.

Lubricate the wedges. (See the machine's Operation & Maintenance Manual for the correct procedure.)

Dealer Copy -- Not for Resale

<https://www.ebooklibonline.com>

Hello dear friend!

Thank you very much for reading.

Enter the link into your browser.

The full manual is available for immediate download.

<https://www.ebooklibonline.com>