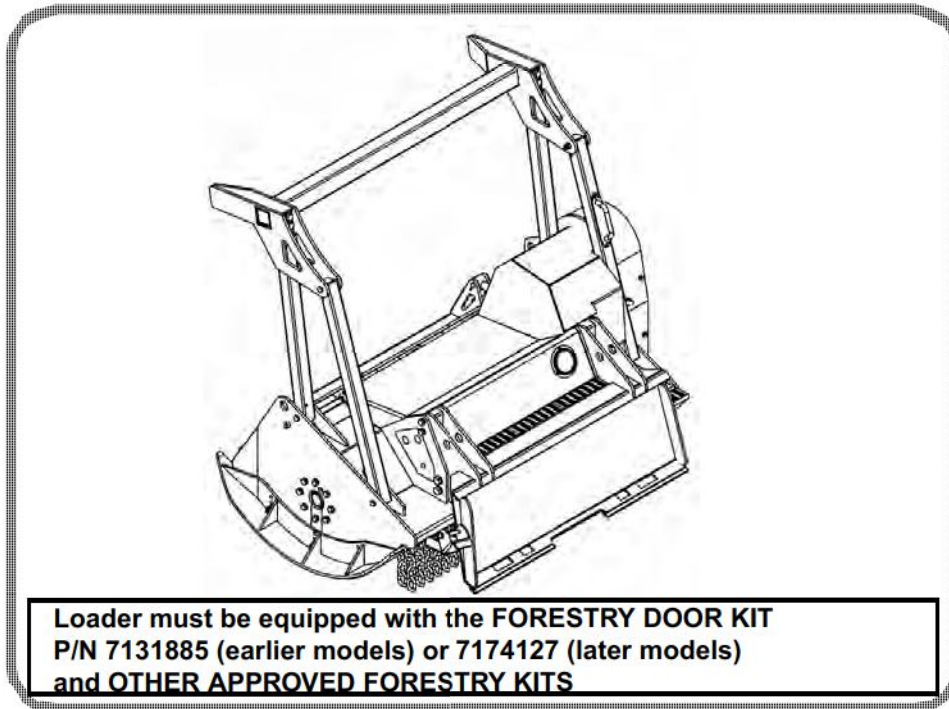




Bobcat®

Service Manual Forestry Cutter

(FRST CTTR FRC150) AD8900101 & Above



Dealer Copy -- Not for Resale



MAINTENANCE SAFETY



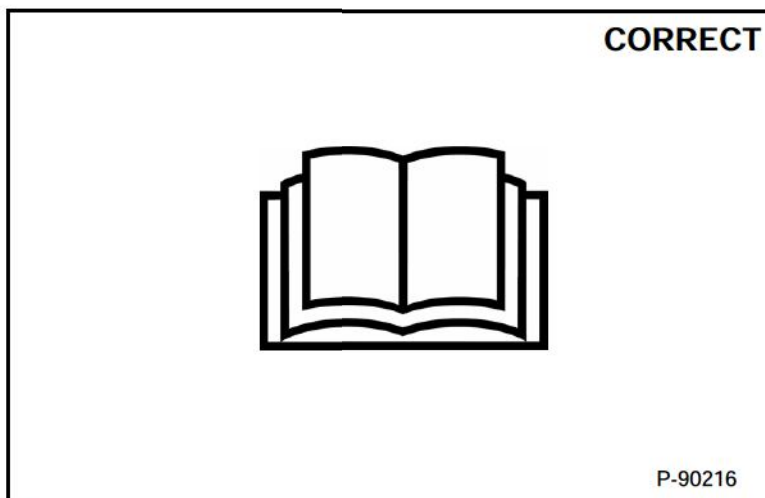
WARNING









Instructions are necessary before operating or servicing machine. Read and understand the Operation & Maintenance Manual, Operator's Handbook and signs (decals) on machine. Follow warnings and instructions in the manuals when making repairs, adjustments or servicing. Check for correct function after adjustments, repairs or service. Untrained operators and failure to follow instructions can cause injury or death.

W-2003-0807



Safety Alert Symbol: This symbol with a warning statement, means: "Warning, be alert! Your safety is involved!" Carefully read the message that follows.



-  Never service attachments / implements without instructions. See Operation & Maintenance Manual and Attachment / Implement Service Manual.
-  Cleaning and maintenance are required daily.
-  Never service or adjust attachment / implement with the engine running unless instructed to do so in manual.
-  Always lower the attachment / implement to the ground before lubricating or servicing.
-  Avoid contact with leaking hydraulic fluid or diesel fuel under pressure. It can penetrate skin or eyes.
-  Stop, cool and clean engine of flammable materials before checking fluids.
-  Keep body, loose objects and clothing away from moving parts, electrical contacts, hot parts and exhaust.
-  Safety glasses are needed for eye protection from electrical arcs, battery acid, compressed springs, fluids under pressure and flying debris or when tools are used. Use eye protection approved for type of welding.

Dealer Copy -- Not for Resale

MSW30-0409

CONTENTS

SAFETY AND MAINTENANCE	10-01
HYDRAULIC SYSTEM	20-01
MAINFRAME	30-01
ELECTRICAL SYSTEM	40-01
SPECIFICATIONS	SPEC-01
ALPHABETICAL INDEX	INDEX-01

FOREWORD

SERIAL NUMBER LOCATION	1-7
MANUAL STORAGE	1-7
FORESTRY DOOR SERIAL NUMBER	1-8
DELIVERY REPORT	1-8
ATTACHMENT IDENTIFICATION	1-9
Forestry Cutter (FRC150 S/N AD8900199 & Below)	1-9
Forestry Cutter (FRC150 S/N AD8900200 & Above)	1-10
Forestry Kit Equipment (Earlier Models)	1-11
Forestry Kit Equipment (Later Models)	1-12

<https://www.ebooklibonline.com>

Hello dear friend!

Thank you very much for reading.

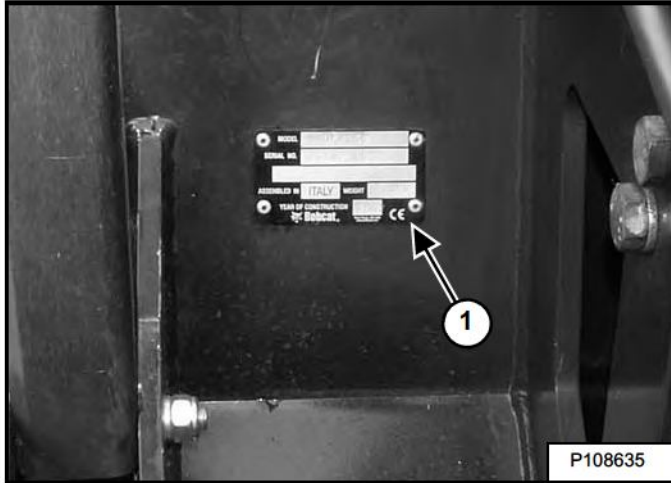
Enter the link into your browser.

The full manual is available for immediate download.

<https://www.ebooklibonline.com>

SERIAL NUMBER LOCATION

Figure 1



Always use the serial number (Item 1) [Figure 1] of the forestry cutter when requesting service information or when ordering parts (Serial number is located under the left cover). Early or later models (identification made by serial number) may use different parts, or it may be necessary to use a different procedure in doing a specific service operation.

MANUAL STORAGE

Figure 2

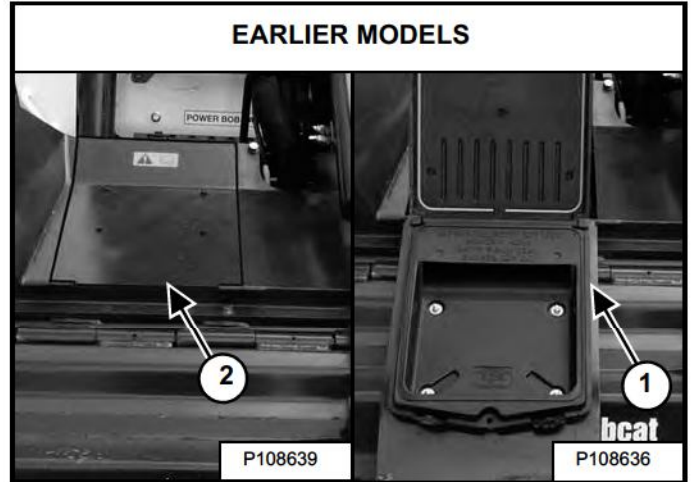
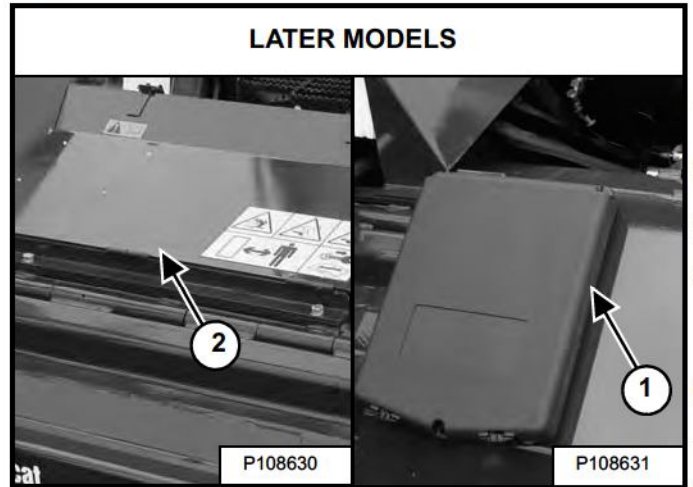


Figure 3

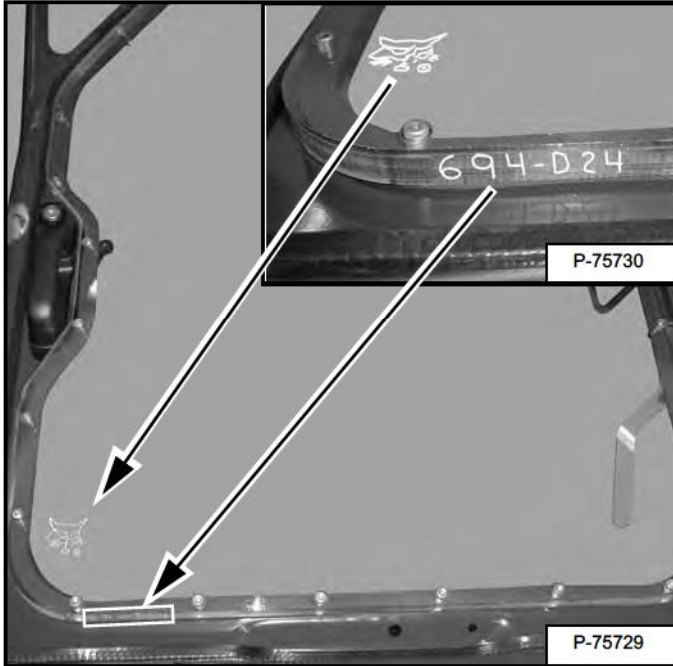


The manual storage container (Item 1) is mounted under the left cover (Item 2) [Figure 2] or [Figure 3] of the forestry cutter.

Dealer Copy -- Not for Resale

FORESTRY DOOR SERIAL NUMBER

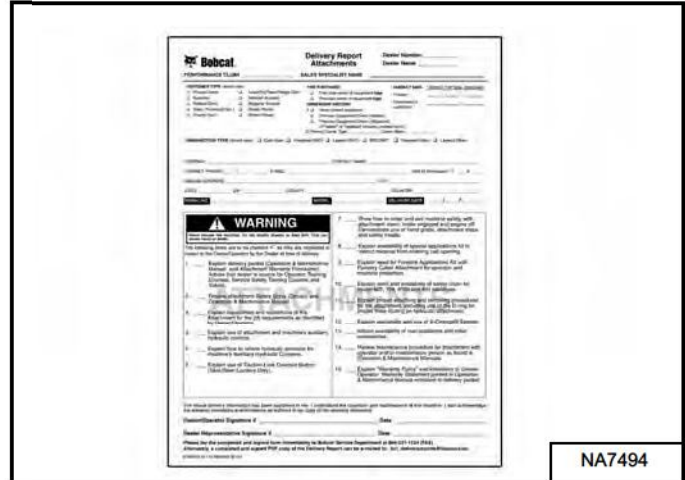
Figure 4



The forestry door serial number is located under the lower right-hand corner of the window (as viewed from the operator's seat) below the Bobcat logo [Figure 4].

DELIVERY REPORT

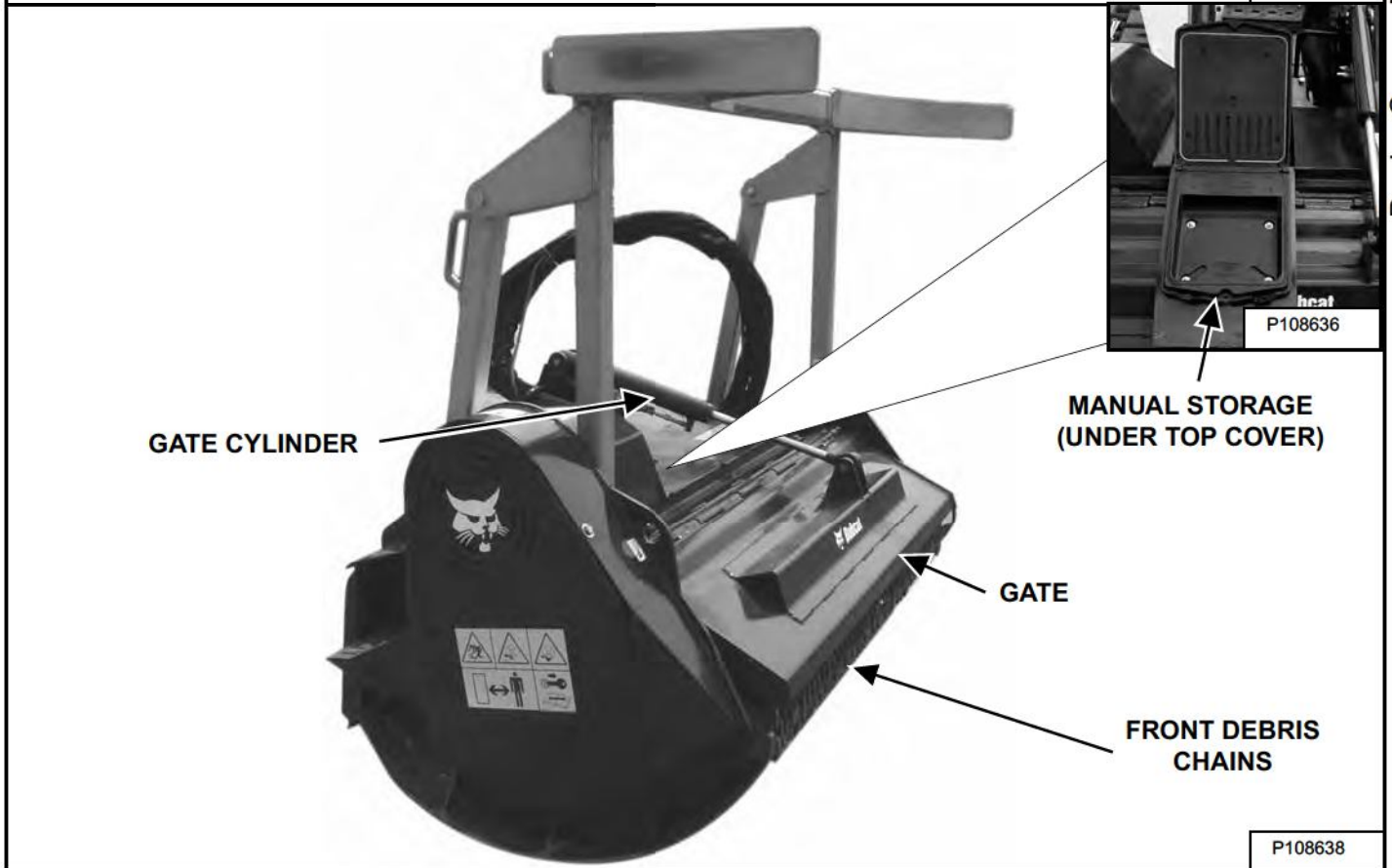
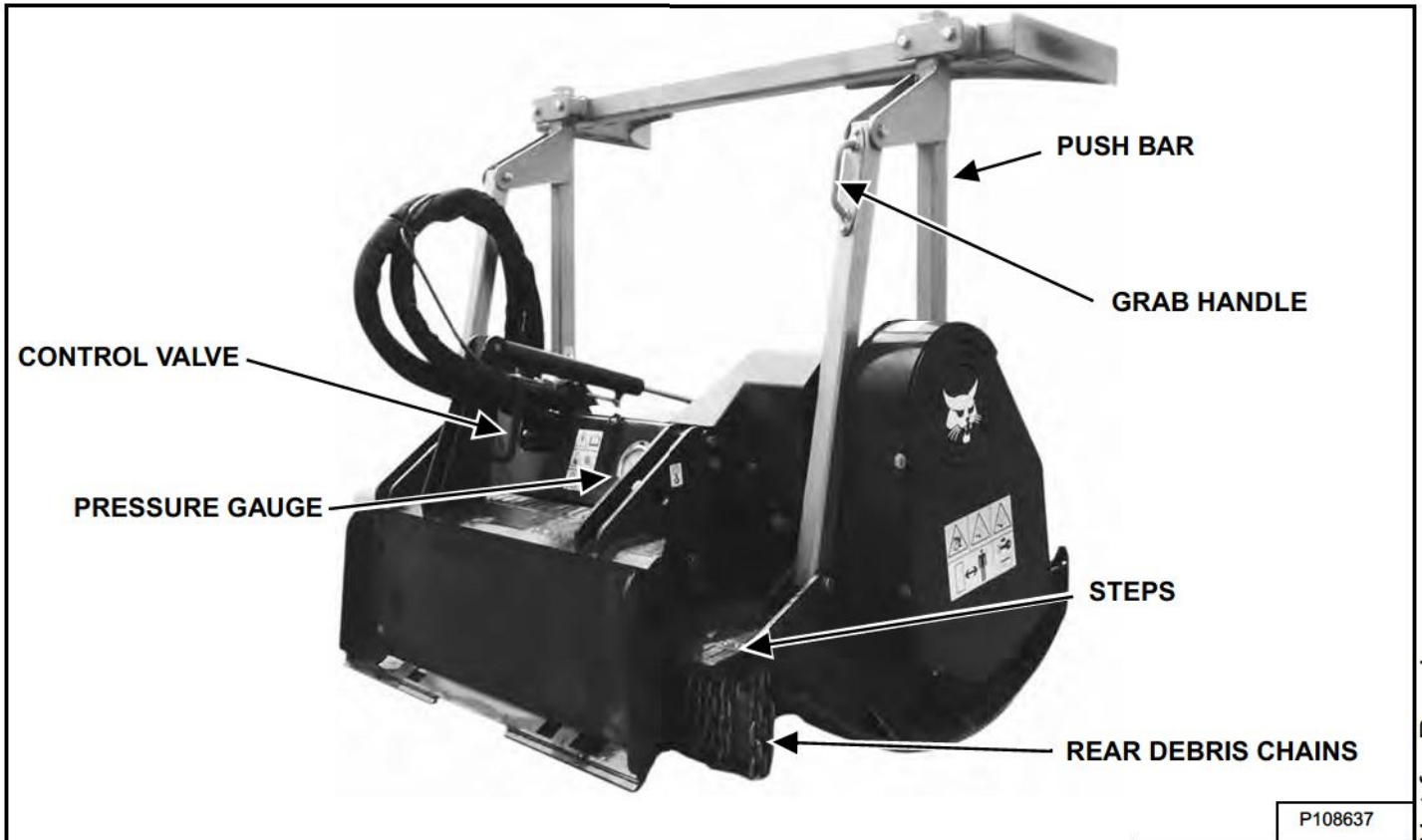
Figure 5



The delivery report [Figure 5] must be completed by the dealer and signed by the owner or operator when the Bobcat forestry cutter is delivered. An explanation of the form must be given to the owner.

ATTACHMENT IDENTIFICATION

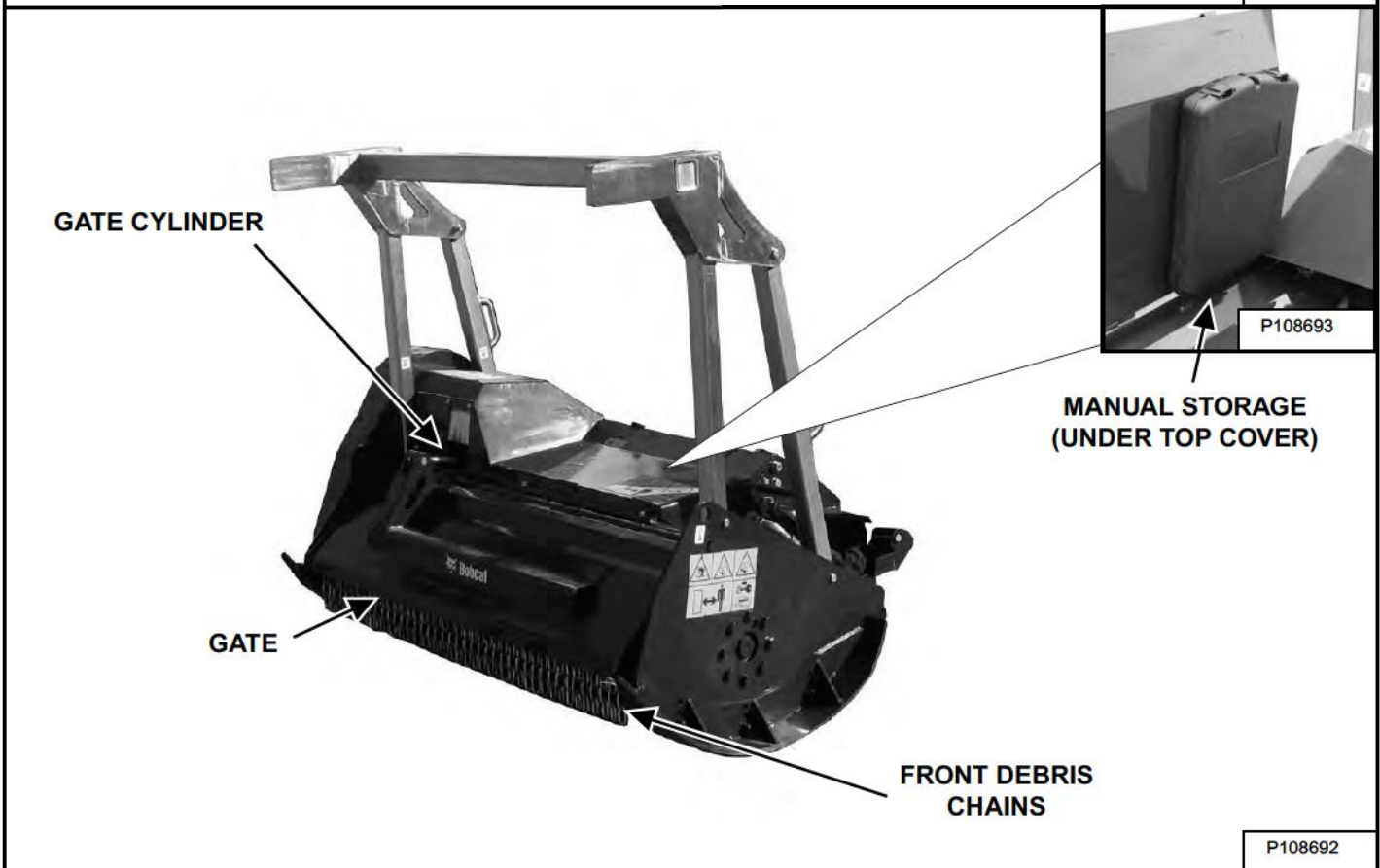
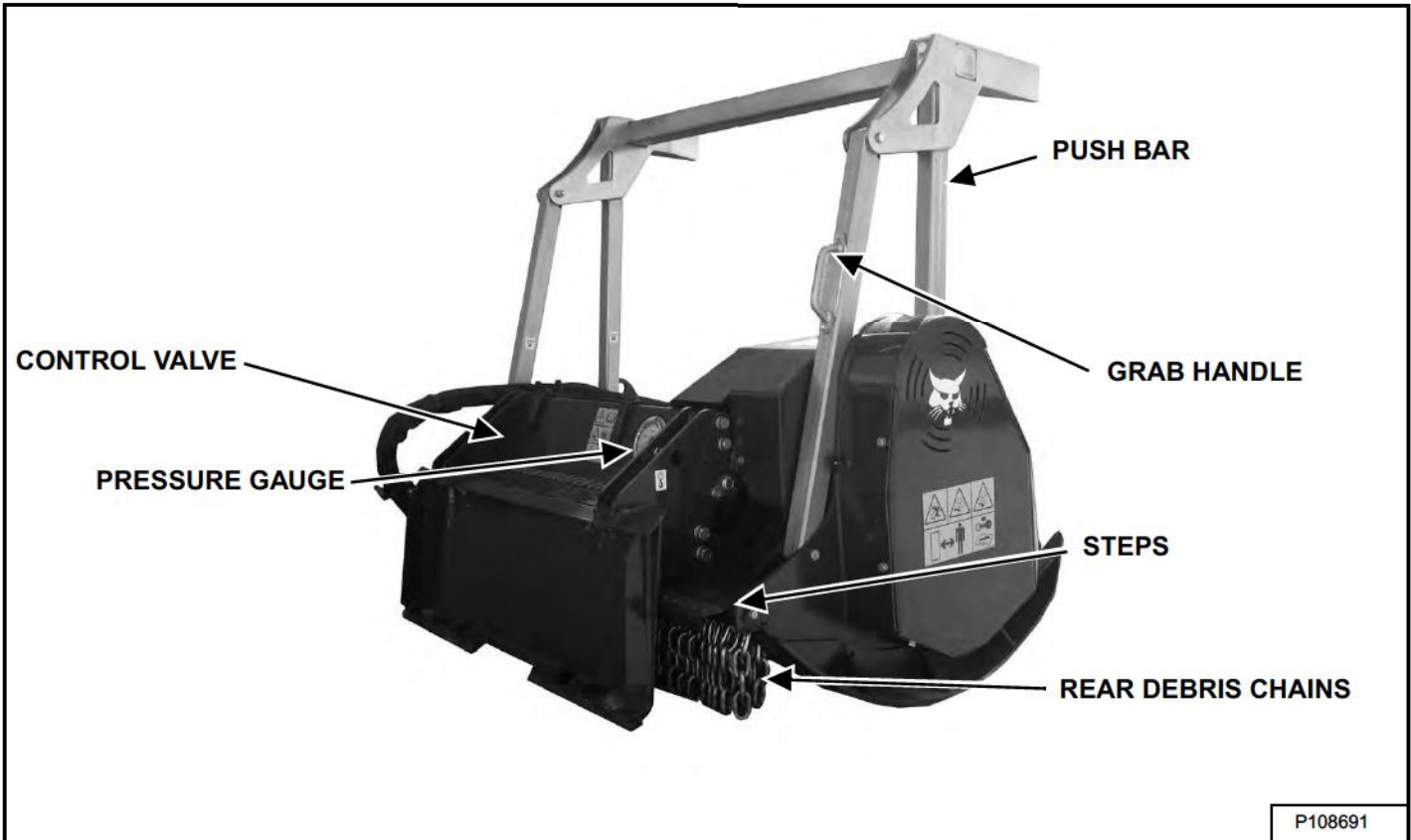
Forestry Cutter (FRC150 S/N AD8900199 & Below)



Dealer Copy -- Not for Resale

ATTACHMENT IDENTIFICATION (CONT'D)

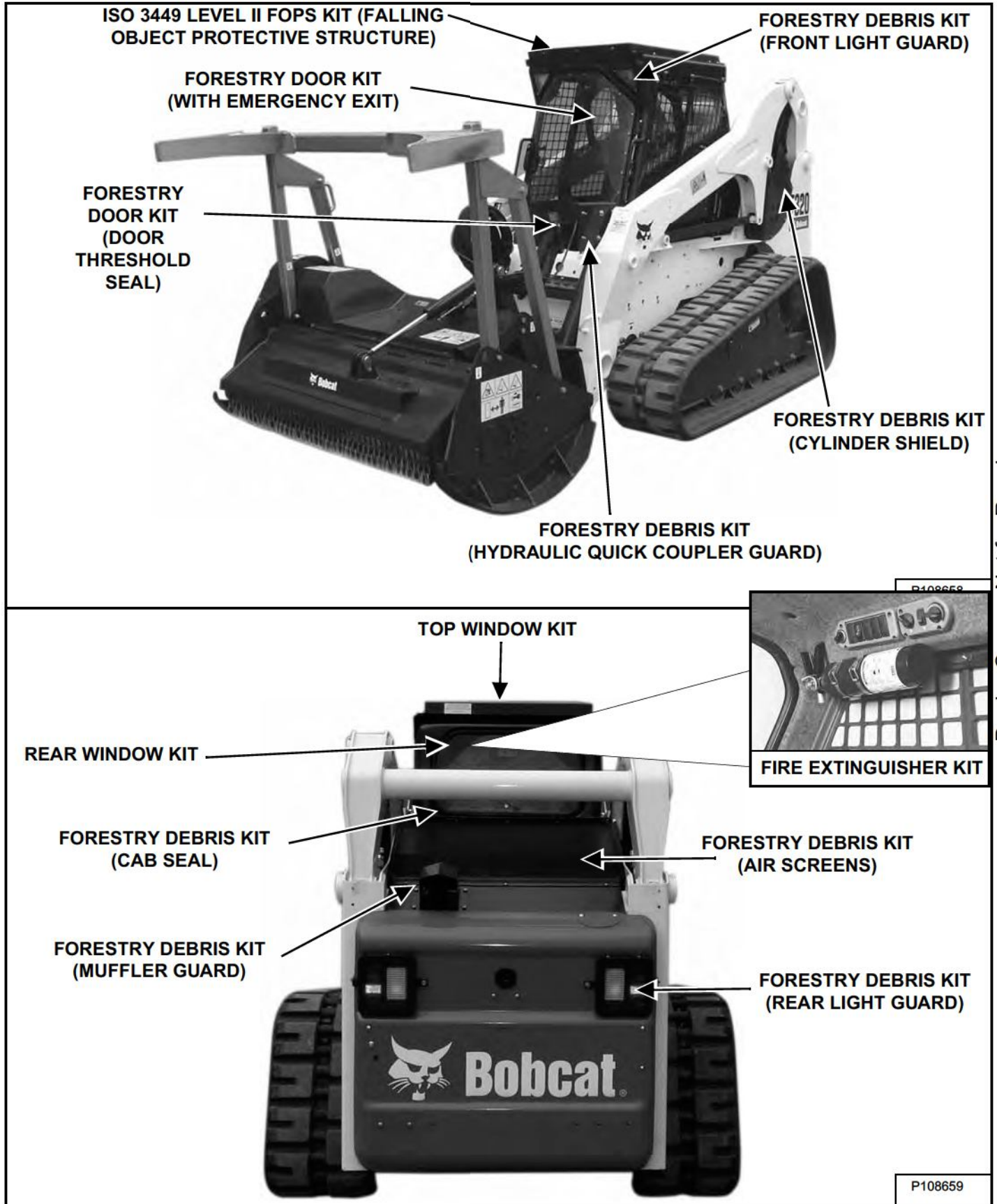
Forestry Cutter (FRC150 S/N AD8900200 & Above)



Dealer Copy -- Not for Resale

ATTACHMENT IDENTIFICATION (CONT'D)

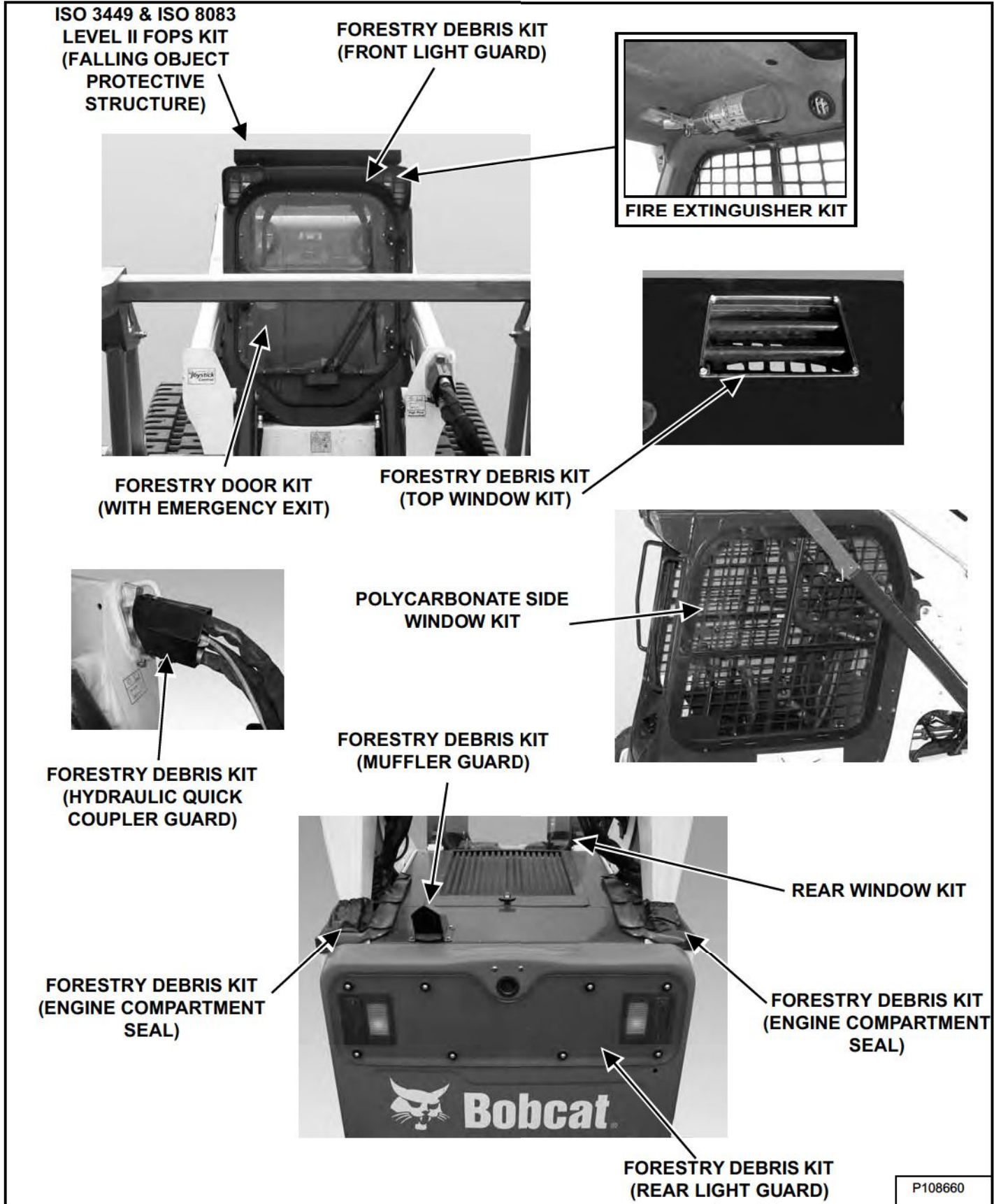
Forestry Kit Equipment (Earlier Models)



Dealer Copy -- Not for Resale

ATTACHMENT IDENTIFICATION (CONT'D)

Forestry Kit Equipment (Later Models)



Dealer Copy -- Not for Resale


SAFETY AND MAINTENANCE

TROUBLESHOOTING	10-10-1
Chart	10-10-1
SERVICE SCHEDULE	10-20-1
Chart	10-20-1
DAILY INSPECTION	10-30-1
Forestry Cutter Maintenance Training DVD	10-30-1
Loader And Forestry Cutter	10-30-1
Guards, Shields, Seals And Decals	10-30-1
Hydraulic Hoses And Fittings	10-30-1
Forestry Door	10-30-2
Forestry Door Interlock	10-30-3
Forestry Cutter Mounting Frame	10-30-3
Level II Falling-Object Protective Structure (FOPS)	10-30-4
Debris Chains	10-30-4
Drum	10-30-5
Drive Belt	10-30-6
Fire Extinguisher	10-30-6
Bob-Tach	10-30-7
Cleaning The Loader And Forestry Cutter	10-30-9
LUBRICATING THE FORESTRY CUTTER	10-40-1
Lubrication Locations	10-40-1
CARBIDE TEETH	10-50-1
Removal And Installation	10-50-1
CLEANING THE LOADER	10-60-1
Loader Cleaning (Earlier Models)	10-60-1
Loader Cleaning (Later Models)	10-60-3
Engine Compartment Cleaning	10-60-8
CLEANING THE FORESTRY CUTTER	10-70-1
Forestry Cutter Cleaning	10-70-1
ATTACHMENT STORAGE AND RETURN TO SERVICE	10-80-1
Storage	10-80-1
Return To Service	10-80-1

Dealer Copy -- Not for Resale

TROUBLESHOOTING

Chart

 WARNING	<p>Instructions are necessary before operating or servicing machine. Read and understand the Operation & Maintenance Manual, Operator's Handbook and signs (decals) on machine. Follow warnings and instructions in the manuals when making repairs, adjustments or servicing. Check for correct function after adjustments, repairs or service. Untrained operators and failure to follow instructions can cause injury or death.</p> <p style="text-align: right;">W-2003-0807</p>
--	--

If the attachment is not working correctly, check the hydraulic system of the machine thoroughly before making any repairs on the attachment. Attachment problems can be affected by a hydraulic system that is not operating to specifications. Connect a flow meter to the machine to check the hydraulic pump output, relief valve setting and tube lines to check flow and pressure. (See the machine's Service Manual for the correct procedure to connect the flow meter.)

Use the following troubleshooting chart to locate and correct problems which most often occur with the attachment.


PROBLEM	CAUSE	CORRECTION
Drum will not turn.	Forestry door open.	Close forestry door.
	Wire harness disconnected.	Install wire harness.
	Quick couplers disconnected.	Install quick couplers.
	Auxiliary hydraulics not engaged.	Engage auxiliary hydraulics.
	Unapproved door installed.	Install approved door.
	Rotor is jammed or plugged.	Unplug rotor.
	Belt may be loose or damaged.	Tighten or replace belt.
	Pulley may be loose or damaged.	Tighten or replace pulley.
Auxiliary hydraulics will not start.	Forestry door open.	Close forestry door.
	Unapproved door installed.	Install approved door.
Forestry cutter performs poorly.	Material engagement speed too fast.	Engage material at a slower speed.
	Gate not closed while making final passes.	Close gate during final passes.
	Final passes not performed in reverse travel direction.	Perform final passes in reverse travel direction.

Dealer Copy -- Not for Resale

SERVICE SCHEDULE

Chart

Maintenance work must be done at regular intervals. Failure to do so will result in excessive wear and early failures. The service schedule is a guide for correct maintenance of the Bobcat three-point hitch adapter.

 <b style="font-size: 1.2em;">WARNING	<p>Instructions are necessary before operating or servicing machine. Read and understand the Operation & Maintenance Manual, Operator's Handbook and signs (decals) on machine. Follow warnings and instructions in the manuals when making repairs, adjustments or servicing. Check for correct function after adjustments, repairs or service. Untrained operators and failure to follow instructions can cause injury or death.</p>
W-2003-0807	

SERVICE SCHEDULE		HOURS	
ITEM	SERVICE REQUIRED	10	40
General Items	Check for proper function of the Forestry Door Interlock.		
	Inspect the Forestry Door for damage.		
	Inspect Level II Falling-Object Protective Structure (FOPS) for damage.		
	Clean debris, leaves, branches and flammable material from Forestry Cutter and machine.		
	Check cutting teeth and drum for cracks and damage.		
	Check teeth mounting hardware for proper torque. *		
	Check for damaged or leaking hydraulic hoses or fittings.		
Decals	Check for damaged and missing decals.		
Lubricate	Lubricate drum bearings and push bar.		
	Lubricate driveshaft bearing.		

* For proper torque. (See CARBIDE TEETH on Page 10-50-1.)

Dealer Copy -- Not for Resale

DAILY INSPECTION

Forestry Cutter Maintenance Training DVD

Figure 10-30-1



The Forestry Cutter Maintenance Training DVD provides basic instructions on how to properly inspect and clean the loader and forestry cutter [Figure 10-30-1].

Loader And Forestry Cutter

Check and / or clean the loader and cooling system every day to prevent overheating, loss of performance or engine damage.

Clean debris, leaves, branches and flammable material from the loader and forestry cutter. (See Cleaning The Loader And Forestry Cutter on Page 10-30-9.)



AVOID INJURY OR DEATH

Before servicing the Forestry Cutter:

- Lower the lift arms and put Forestry Cutter flat on the ground.
- Stop the engine.
- Make sure the cutter drum has stopped rotating.
- Engage the parking brake.
- Move all pedals, handles, joysticks, and other controls until they are LOCKED or in the NEUTRAL position.

SEE THE MACHINE OPERATION & MAINTENANCE MANUAL FOR MORE INFORMATION.

W-2644-0607

Guards, Shields, Seals And Decals

Check for damaged or missing guards, screens, shields, seals and decals. Replace any damaged or missing components.

Hydraulic Hoses And Fittings



AVOID INJURY OR DEATH

Diesel fuel or hydraulic fluid under pressure can penetrate skin or eyes, causing serious injury or death. Fluid leaks under pressure may not be visible. Use a piece of cardboard or wood to find leaks. Do not use your bare hand. Wear safety goggles. If fluid enters skin or eyes, get immediate medical attention from a physician familiar with this injury.

W-2072-0807

Check for damaged or leaking hydraulic hoses or fittings. Replace if necessary.

NOTE: Hydraulic oil leaks, excess grease, fuel and oil accumulation (including spillage) should be washed completely after every major service.

Dealer Copy -- Not for Resale

DAILY INSPECTION (CONT'D)

Forestry Door

The forestry door window contains 19,05 mm (0.75 in) thick laminated polycarbonate material [Figure 10-30-2]. If the forestry door window is damaged, replace it with Bobcat approved service parts only.

Forestry Door Window

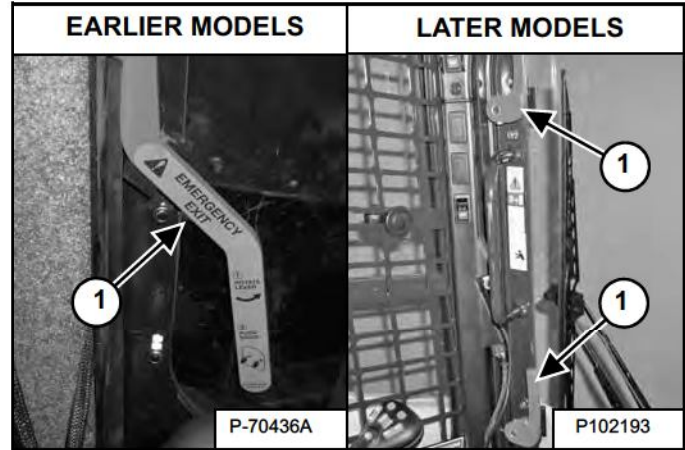
Figure 10-30-2



- Inspect for cracks or damage. Replace if required.
- Pre-rinse with water to remove gritty materials.
- Wash with a mild household detergent and warm water.
- Use a sponge or soft cloth. Rinse well with water and dry with a clean soft cloth or rubber squeegee.
- Do not use abrasive or highly alkaline cleaners.
- Do not clean with metal blades or scrapers.

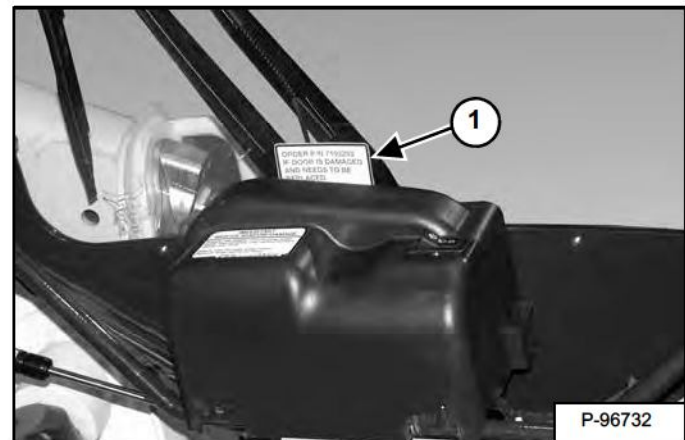
Emergency Exit

Figure 10-30-3



- Inspect the emergency exit lever (Item 1), linkages and hardware [Figure 10-30-3] for loose or damaged parts.
- Repair or replace if necessary.

Figure 10-30-4



- The forestry door service decal (Item 1) [Figure 10-30-4] is located in the lower left corner of the forestry door, as viewed from the operators seat.

NOTE: [Figure 10-30-3] and [Figure 10-30-4] show the optional wiper kit.



Suggest:

If the above button click is invalid.

Please download this document

first, and then click the above link

to download the complete manual.

Thank you so much for reading

DAILY INSPECTION (CONT'D)

Forestry Door Interlock

Before checking the forestry door Interlock, make sure the drum is clean and the area is clear of bystanders. Park the loader on flat level ground.

Enter the loader, fasten seat belt and close the forestry door. Lower the seat bar and start the engine.

1. Raise the lift arms so the forestry cutter is approximately 305 mm (12 in) off the ground.
2. Engage the auxiliary hydraulics. The drum should rotate.
3. Open the forestry door. The drum should stop rotating.
4. Close the forestry door. The drum must remain stopped.
5. Engage the auxiliary hydraulics again with the forestry door closed to start drum rotation.

If the forestry door Interlock does not operate as described above, see your Bobcat Dealer for service.

WARNING

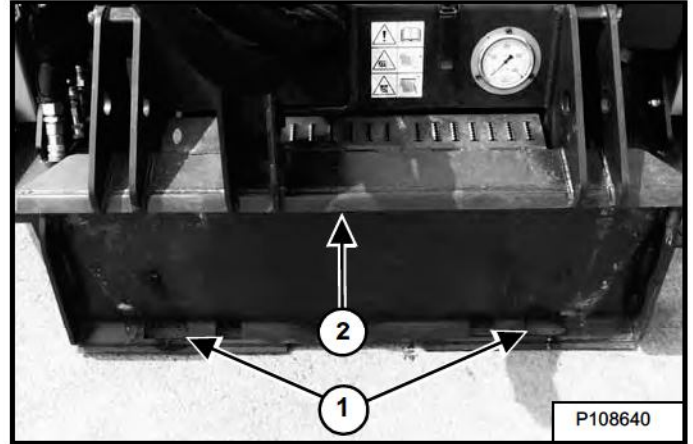
AVOID INJURY OR DEATH

- Never operate without the Forestry Door installed.
- Never modify the Forestry Door Interlock and check that it is functioning properly.

W-2543-1206

Forestry Cutter Mounting Frame

Figure 10-30-5



Inspect the Bob-Tach™ wedge mount (Item 1), mounting flange (Item 2) [Figure 10-30-5] and all welds on the forestry cutter mount for wear and damage each time the forestry cutter is removed from the loader.

Look for cracked welds. Contact your Bobcat dealer for repair or replacement parts.

Dealer Copy -- Not for Resale

<https://www.ebooklibonline.com>

Hello dear friend!

Thank you very much for reading.

Enter the link into your browser.

The full manual is available for immediate download.

<https://www.ebooklibonline.com>