

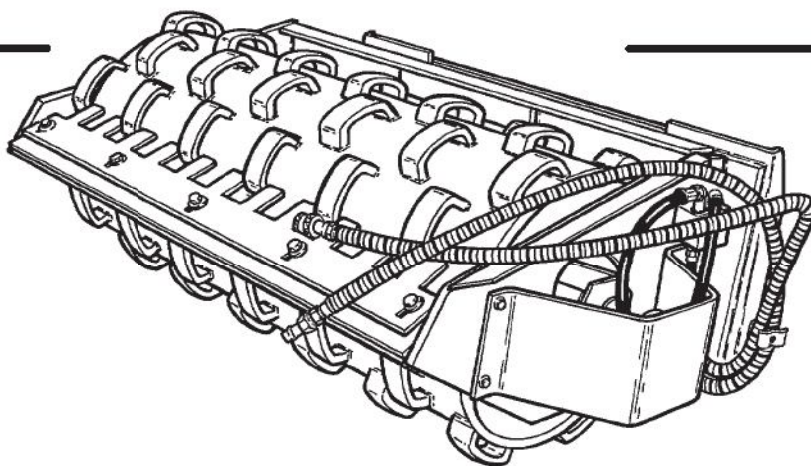


Bobcat®

Vibratory Roller

Service Manual

48 inch S/N 802900101 & Above
48 inch S/N 803400101 & Above
48 inch S/N 054800101 & Above
48 inch S/N 063100101 & Above
72 inch S/N 054900101 & Above
72 inch S/N 063200101 & Above



Dealer Copy - Not for Resale

Doosan purchased Bobcat Company from Ingersoll-Rand Company in 2007. Any reference to Ingersoll-Rand Company or use of trademarks, service marks, logos, or other proprietary identifying marks belonging to Ingersoll-Rand Company in this manual is historical or nominative in nature, and is not meant to suggest a current affiliation between Ingersoll-Rand Company and Bobcat Company or the products of either.



MAINTENANCE SAFETY



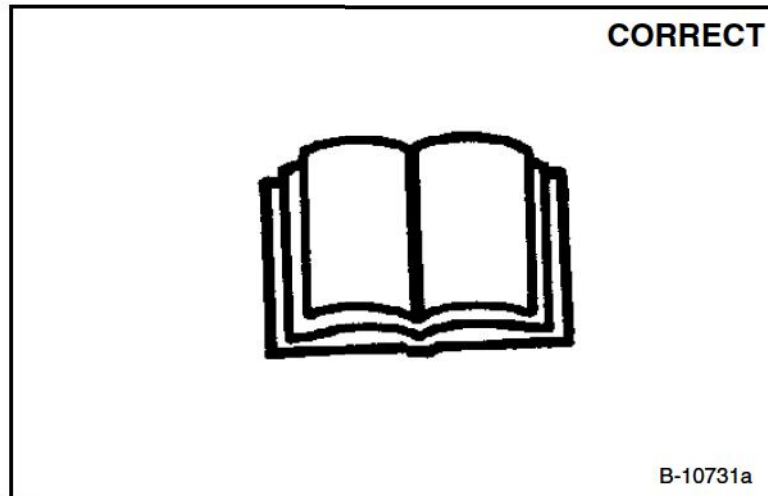
WARNING









Instructions are necessary before operating or servicing machine. Read and understand the Operation & Maintenance Manual, Operator's Handbook and signs (decals) on machine. Follow warnings and instructions in the manuals when making repairs, adjustments or servicing. Check for correct function after adjustments, repairs or service. Untrained operators and failure to follow instructions can cause injury or death.

W-2003-0903



Safety Alert Symbol: This symbol with a warning statement, means: "Warning, be alert! Your safety is involved!" Carefully read the message that follows.



-  Never service attachments without instructions. See Operation & Maintenance Manual and Attachment Service Manual.
-  Cleaning and maintenance are required daily.
-  Never service or adjust attachment with the engine running unless instructed to do so in manual.
-  Always lower the attachment to the ground before lubricating or servicing.
-  Avoid contact with leaking hydraulic fluid or diesel fuel under pressure. It can penetrate skin or eyes.
-  Stop, cool and clean engine of flammable materials before checking fluids.
-  Keep body, loose objects and clothing away from moving parts, electrical contacts, hot parts and exhaust.
-  Safety glasses are needed for eye protection from electrical arcs, battery acid, compressed springs, fluids under pressure and flying debris or when tools are used. Use eye protection approved for type of welding.

ALPHABETICAL INDEX

FLEXIBLE ELEMENT	30-01
GLOSSARY OF HYDRAULIC SYMBOLS FOR ATTACHMENTS	40-01
HYDRAULIC CUSHION VALVE	20-01
HYDRAULIC MOTOR	20-01
HYDRAULIC SCHEMATIC	40-01
INSPECTION	10-01
ISOLATOR PLATE	30-01
LUBRICATION	10-01
PADDED ROLLER DRUM	30-01
PARTS IDENTIFICATION	10-01
ROLLER DRUM	30-01
SMOOTH ROLLER DUM	30-01
SMOOTH ROLLER DRUM COVER	30-01
SPECIFICATIONS	40-01
TROUBLESHOOTING	10-01

CONTENTS

SERIAL NUMBER LOCATION	iii
IDENTIFICATION	iv
PREVENTIVE MAINTENANCE	10-10-1
HYDRAULIC SYSTEM	20-10-1
MAIN FRAME	30-10-1
SPECIFICATIONS AND SCHEMATICS	40-10-1

**PREVENTIVE
MAINTENANCE**

**HYDRAULIC
SYSTEM**

MAIN FRAME

**SPECIFICATIONS
AND
SCHEMATICS**

**CALIFORNIA
PROPOSITION 65 WARNING**

Diesel engine exhaust and some of its constituents are known to the State of California to cause cancer, birth defects and other reproductive harm.

Dealer Copy -- Not for Resale

<https://www.ebooklibonline.com>

Hello dear friend!

Thank you very much for reading.

Enter the link into your browser.

The full manual is available for immediate download.

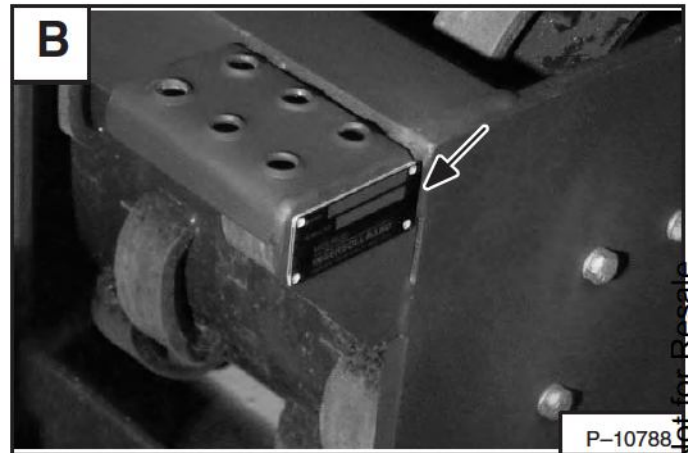
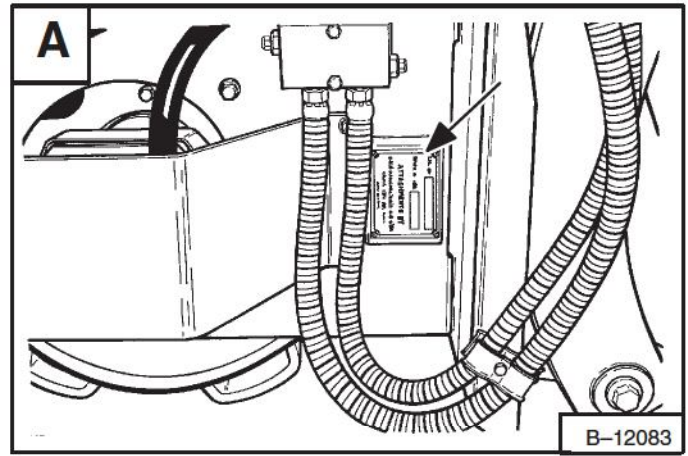
<https://www.ebooklibonline.com>

SERIAL NUMBER LOCATION

It is important to refer to the serial number of the Vibratory Roller when making repairs or ordering parts [A]. Early or later models (identification made by serial number) may use different parts, or it may be necessary to use a different procedure in doing specific service work.

48 Inch: The Vibratory Roller serial number plate is located below the cushion valve toward the rear of the Vibratory Roller [A].

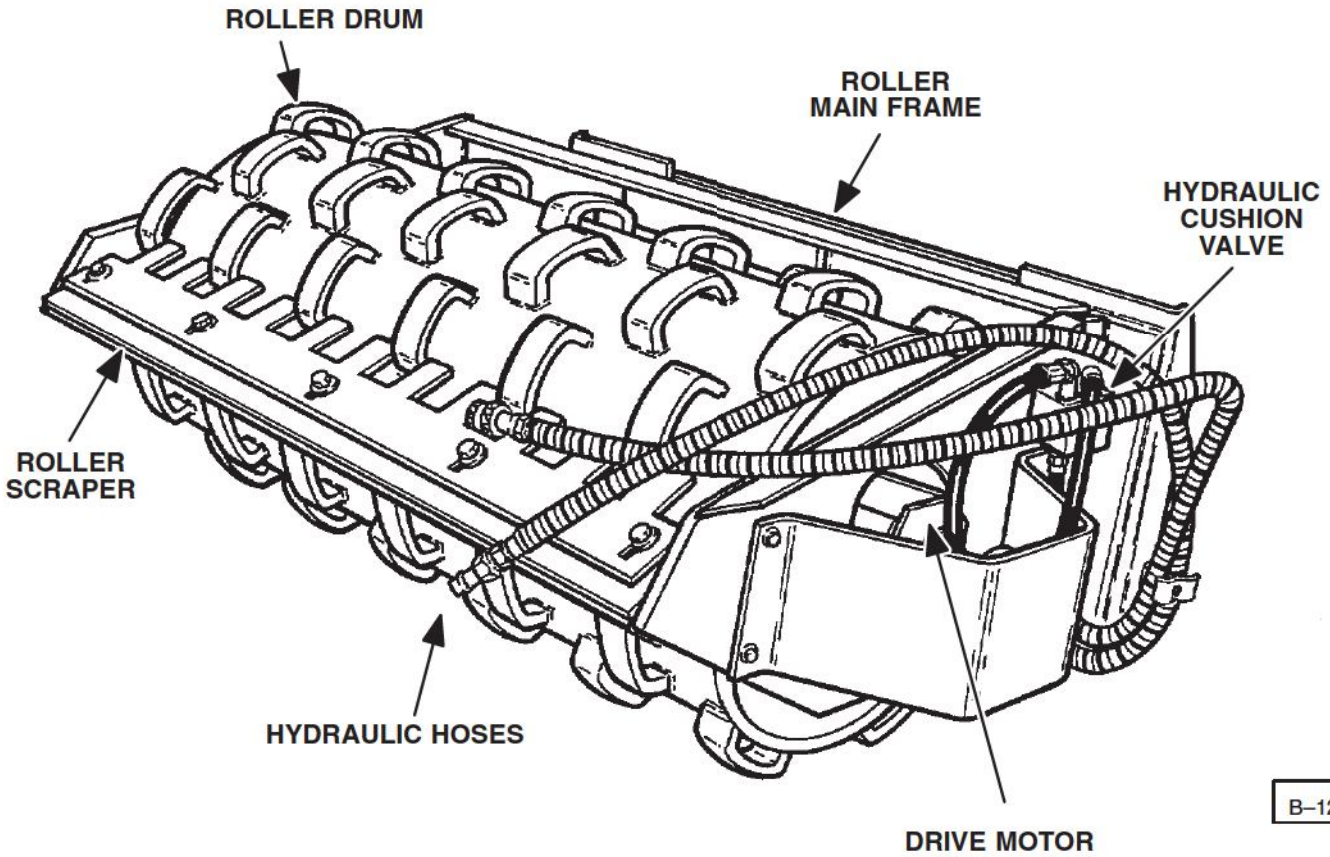
72 Inch: The Vibratory Roller serial number plate is located on the step on the right end of the frame [B].



Dealer Copy -- Not for Resale

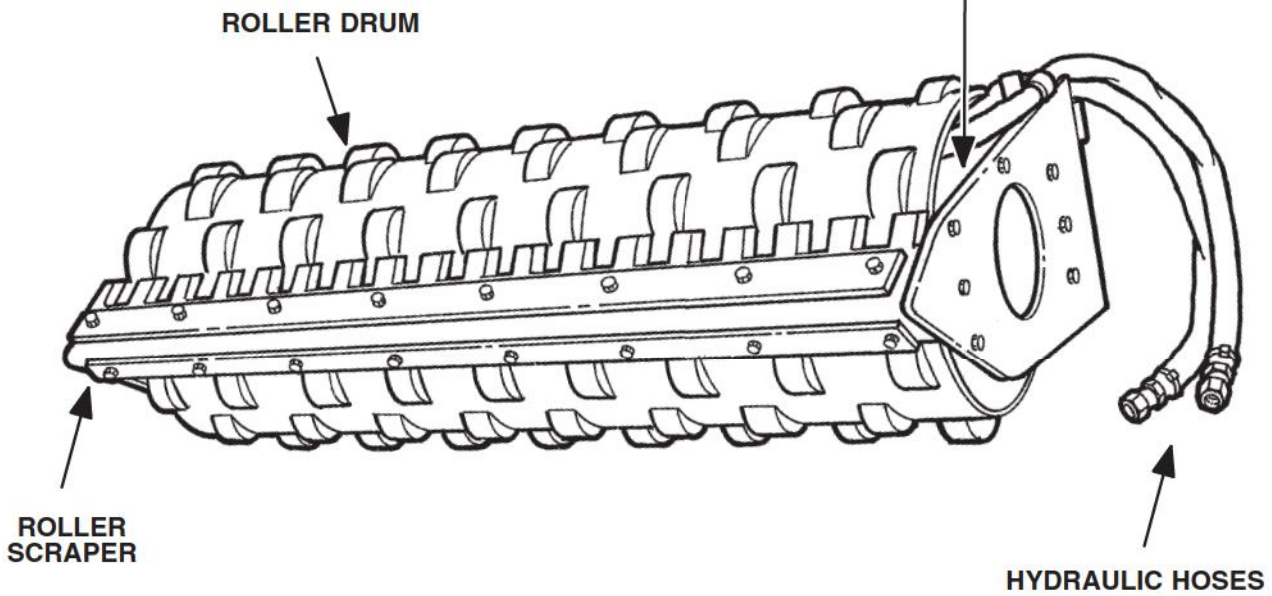
VIBRATORY ROLLER IDENTIFICATION

48 Inch



B-12089

72 Inch



B-15069

PREVENTIVE MAINTENANCE

PREVENTIVE MAINTENANCE

	Page Number
INSPECTION	
Bob-Tach Inspection	10-10-2
LUBRICATION	10-10-3
PARTS IDENTIFICATION	
48 Inch	10-10-4
72 Inch	10-10-5
TROUBLESHOOTING	10-10-1

Dealer Copy -- Not for Resale

TROUBLESHOOTING

WARNING

Instructions are necessary before operating or servicing machine. Read and understand the Operation & Maintenance Manual, Handbook and signs (decals) on machine. Follow warnings and instructions in the manuals when making repairs, adjustments or servicing. Check for correct function after adjustments, repairs or service. Failure to follow instructions can cause injury or death.

W-2003-1298

If the Vibratory Roller is not working correctly check the hydraulic system of the machine thoroughly before making any repair on the roller. Vibratory Roller problems can be affected by a hydraulic system that is not operating to specifications. Connect a flow meter to the loader to check the hydraulic pump output, relief valve setting and tubelines to check flow and pressure. (See the loader Service Manual for the correct procedure to connect the flow meter.)

Use the following troubleshooting chart to locate and correct problems which most often occur with the Vibratory Roller.

PROBLEM	CAUSE	CORRECTION
Vibratory Roller Shaft will not rotate.	Loader fluid reservoir is low.	Add fluid to reservoir on loader.
	No fluid to the Vibratory Roller.	Check connections and flow to roller.
	Damaged quick couplers.	Replace quick couplers.
	Coupler flexible element is broken or torn.	Replace the flexible element.
	Coupler key has sheared.	Replace the key.
	Loader main relief valve set too low.	Adjust main relief to correct setting.
	Loader hydraulic pump not working.	Repair or replace as needed.
Vibratory Roller shaft rotates slowly.	Relief valve in hydraulic cushion is not functioning.	Adjust or replace relief valve.
	Not enough hydraulic flow.	Test loader hydraulics for flow and pressure.

Dealer Copy -- Not for Resale

INSPECTION

Bob-Tach Inspection

Move the Bob-Tach levers to engage the wedges [A]. The levers and wedges must move freely.

The wedges must extend through the holes in the attachment mounting frame (Item 1) [B] & [C].

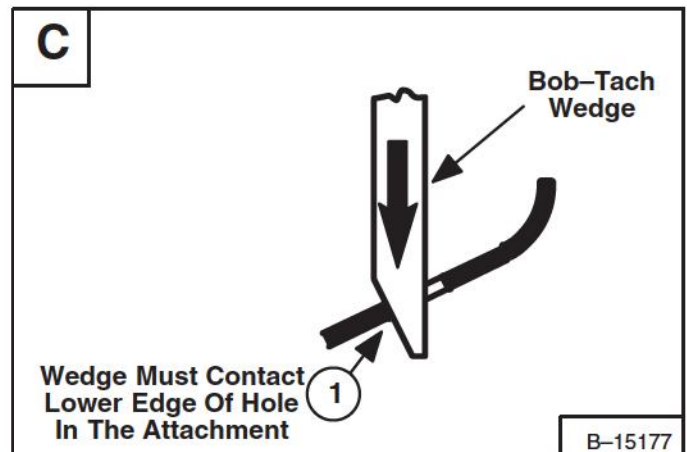
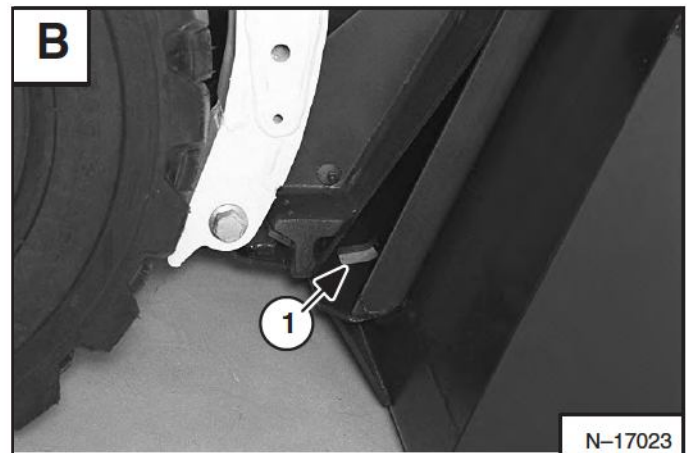
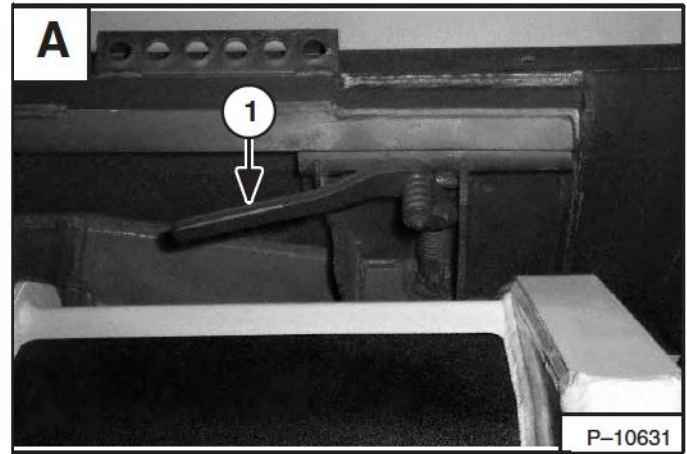
WARNING

Bob-Tach wedges must extend through the holes in attachment. Lever(s) must be fully down and locked. Failure to secure wedges can allow attachment to come off and cause injury or death.

W-2102-0497

The spring loaded wedge (Item 1) [A] must contact the lower edge of the hole in the attachment (Item 1) [B] and [C].

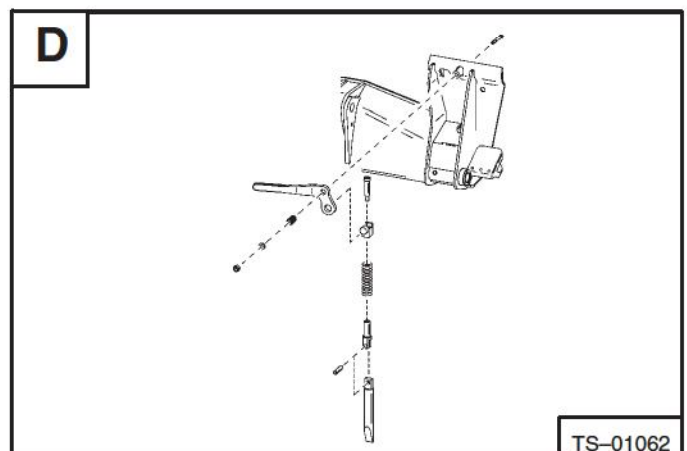
If the wedge does not contact the lower edge of the hole [B] and [C], the attachment will be loose and can come off the Bob-Tach.



Inspect the mounting frame on the attachment and the Bob-Tach, linkages and wedges for excessive wear or damage [D]. Replace any parts that are damaged, bent, or missing. Keep all fasteners tight.

Look for cracked welds. Contact your Bobcat dealer for repair or replacement parts.

Lubricate the wedges. (See the correct loader Operation And Maintenance Manual for *LUBRICATION OF THE BOBCAT LOADER.*)



LUBRICATION

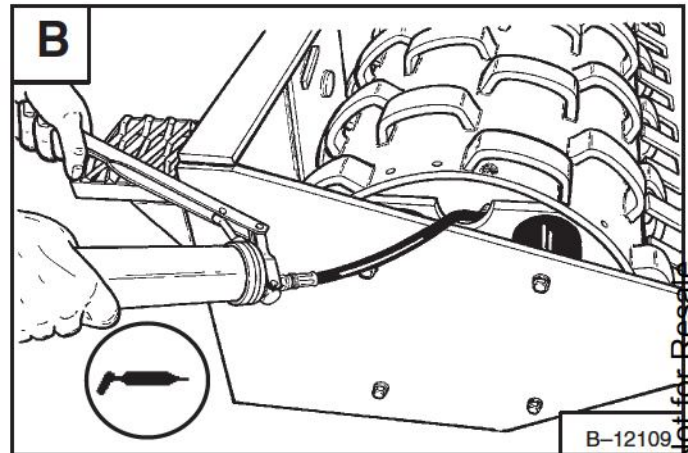
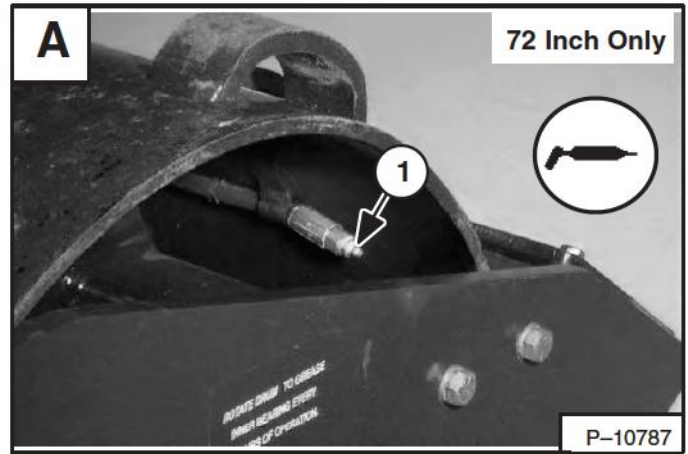
Always use a good quality lithium based multi-purpose grease when lubricating the Vibratory Roller.

IMPORTANT

Fluid such as engine oil, hydraulic fluid, coolants, grease, etc. must be disposed of in an environmentally safe manner. Some regulations require that certain spills and leaks on the ground must be cleaned in a specific manner. See local, state and federal regulations for the correct disposal.

I-2067-0499

Apply grease (4 or 5 pumps) to the shaft bearings (Item 1) [A] & [B] EVERY 8-10 HOURS.



Dealer Copy -- Not for Resale



Suggest:

If the above button click is invalid.

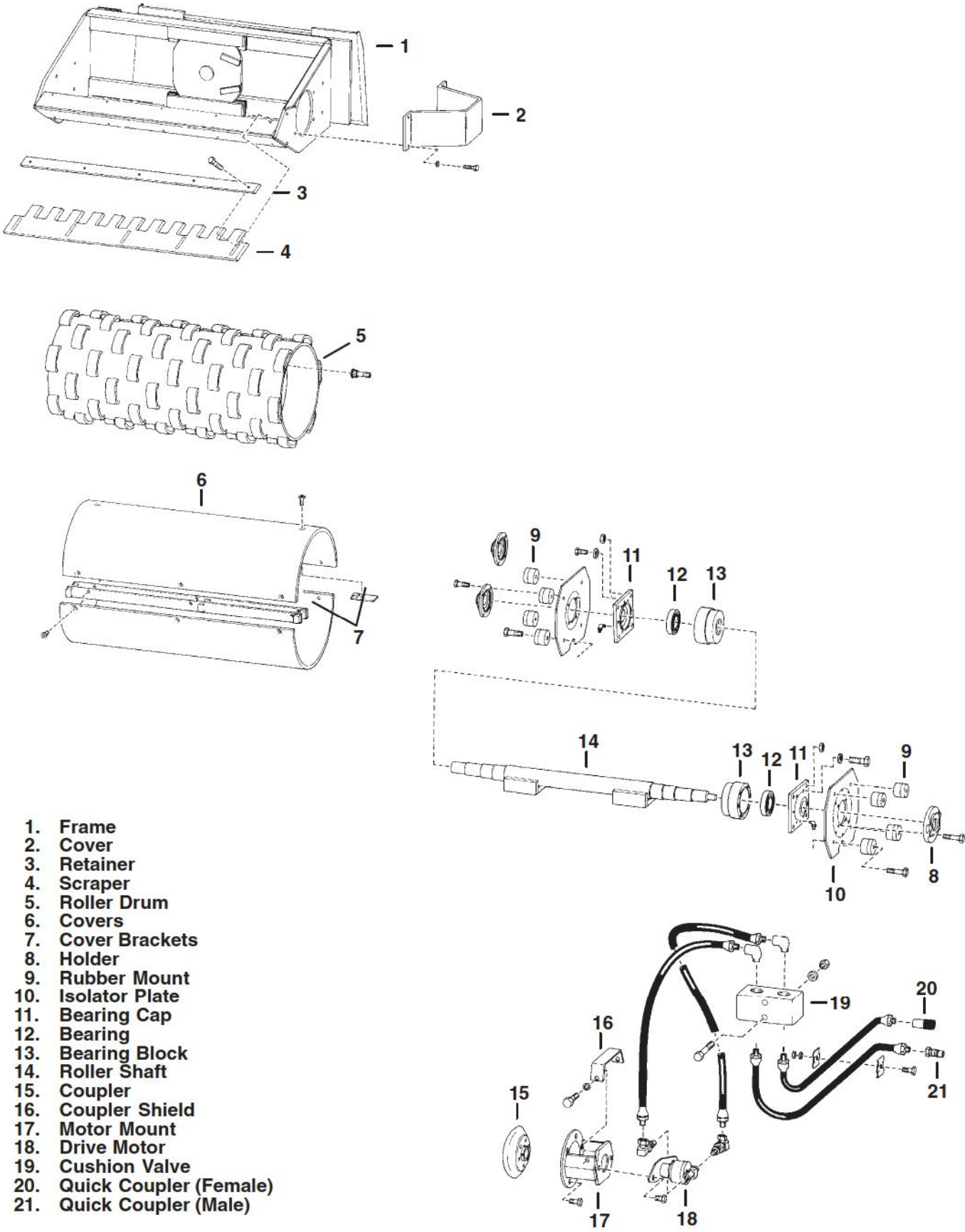
Please download this document

first, and then click the above link

to download the complete manual.

Thank you so much for reading

PARTS IDENTIFICATION
48 Inch



- 1. Frame
- 2. Cover
- 3. Retainer
- 4. Scraper
- 5. Roller Drum
- 6. Covers
- 7. Cover Brackets
- 8. Holder
- 9. Rubber Mount
- 10. Isolator Plate
- 11. Bearing Cap
- 12. Bearing
- 13. Bearing Block
- 14. Roller Shaft
- 15. Coupler
- 16. Coupler Shield
- 17. Motor Mount
- 18. Drive Motor
- 19. Cushion Valve
- 20. Quick Coupler (Female)
- 21. Quick Coupler (Male)

E-01845
E-01846

Dealer Copy -- Not for Resale

<https://www.ebooklibonline.com>

Hello dear friend!

Thank you very much for reading.

Enter the link into your browser.

The full manual is available for immediate download.

<https://www.ebooklibonline.com>