

Utility Vehicle

2200

2200S

2300



Bobcat®

Service Manual

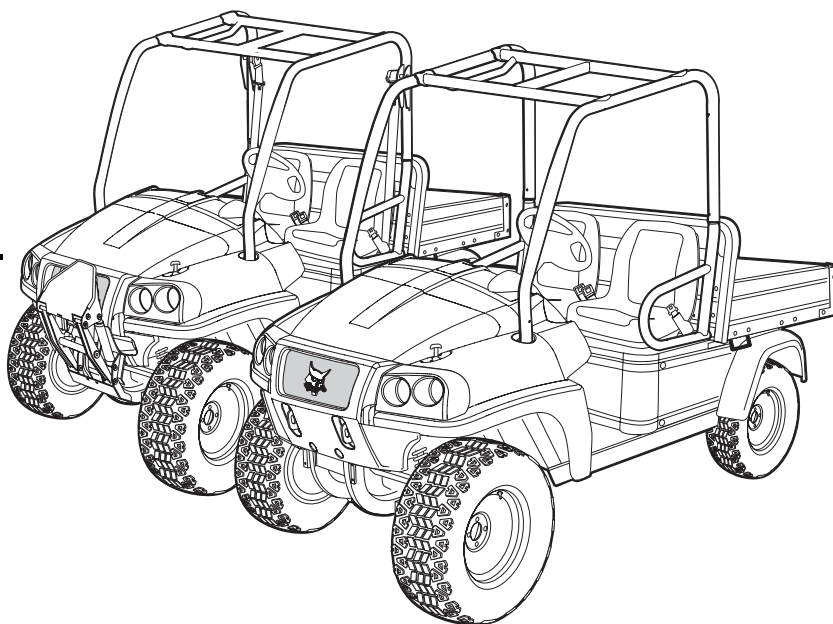
S/N A59Z11001 & ABOVE (2200 DIESEL)

S/N A59Y11001 & ABOVE (2200 GASOLINE)

S/N A5A111001 & ABOVE (2200S DIESEL)

S/N A5A011001 & ABOVE (2200S GASOLINE)

S/N A59W11001 & ABOVE (2300 DIESEL)



 **Ingersoll Rand**
Compact Vehicle Technologies

FOREWORD

Bobcat vehicles are designed and built to provide the ultimate in performance efficiency; however, proper maintenance and repair are essential for achieving maximum service life and continued safe and reliable operation.

This manual provides detailed information for the maintenance and repair of the Bobcat 2200, 2200S and Bobcat 2300 vehicles, and should be thoroughly reviewed prior to servicing the vehicles. The procedures provided must be properly implemented, and the DANGER, WARNING, and CAUTION statements must be heeded.

This manual was written for the trained technician who already possesses knowledge and skills in electrical and mechanical repair. If the technician does not have such knowledge and skills, attempted service or repairs to the vehicle may render the vehicle unsafe. For this reason, Bobcat Company advises that all repairs and/or service be performed by an authorized Bobcat 2200 and 2200S distributor/dealer representative or by a Bobcat factory-trained technician.

It is the policy of Bobcat Company to assist its distributors and dealers in continually updating their service knowledge and facilities so they can provide prompt and efficient service for vehicle owners. Regional technical representatives, vehicle service seminars, periodic service bulletins, maintenance and service manuals, and other service publications also represent Bobcat Company's continuing commitment to customer support.

This manual covers all aspects of typical vehicle service; however, unique situations sometimes occur when servicing a vehicle. If it appears that a service question is not answered in this manual, you may write to us at: P.O. Box 204658; Augusta, GA 30917; Attention: Technical Services, or contact a Technical Service Representative at (706) 863-3000, ext. 3580.

Copyright © 2007, Bobcat Company.

This manual effective June 19, 2006.

WARNING

- **Read Section 1 – Safety before attempting any service on this vehicle.**
- **Before servicing vehicle, read complete section(s) and any referenced information that may be relevant to the service or repair to be performed.**

NOTE: *This manual represents the most current information at the time of publication. Bobcat Company is continually working to further improve its vehicles and other products. These improvements may affect servicing procedures. Any modification and/or significant change in specifications or procedures will be forwarded to all Bobcat 2200 and 2200S dealers and will, when applicable, appear in future editions of this manual.*

Damage to a vehicle or component thereof not resulting from a defect or that occurs due to unreasonable or unintended use, overloading, abuse, or neglect (including failure to provide reasonable or necessary maintenance as instructed in the vehicle owner's manual), accident or alteration, including increasing vehicle speed beyond factory specifications or modifications that affect the stability of the vehicle or the operation thereof, will void the warranty.

Bobcat Company reserves the right to change specifications and designs at any time without notice and without incurring any obligation or liability whatsoever.

There are no warranties expressed or implied in this manual. See the limited warranty found in the vehicle Operation and Maintenance Manual.

<https://www.ebooklibonline.com>

Hello dear friend!

Thank you very much for reading.

Enter the link into your browser.

The full manual is available for immediate download.

<https://www.ebooklibonline.com>

CONTENTS

SECTION 1 – SAFETY

General Warning	1-1
-----------------------	-----

SECTION 2A – VEHICLE SPECIFICATIONS: HONDA GAS & KUBOTA DIESEL POWERED

2200 and 2200S Specifications	2a-1
2300 Specifications	2a-3

SECTION 2B – VEHICLE SPECIFICATIONS: KAWASAKI GAS & KUBOTA DIESEL POWERED

2200 and 2200S Specifications	2b-1
2300 Specifications	2b-3

SECTION 3 – GENERAL INFORMATION

General Information	3-1
Model Identification	3-1
Storage	3-2
Preparing the Vehicle for Extended Storage	3-3
Returning the Stored Vehicle to Service	3-4
Using A Booster Battery (Jump Starting)	3-5

SECTION 4 – BODY AND TRIM

Cleaning the Vehicle	4-1
Seat Cleaning	4-1
Front Body Repair	4-2
Light Scratches	4-2
Abrasions and Haze	4-2
Large Scratches and Abrasions	4-2

Front Body Components	4-3
Instrument Panel Removal	4-3
Instrument Panel Installation	4-3
Front Fascia Removal	4-4
Front Fascia Installation	4-4
Hood Removal	4-4
Hood Installation	4-4
Center Cowl Panel Removal	4-4
Center Cowl Panel Installation	4-5
Side Cowl Panel (Fender) Removal	4-5
Side Cowl Panel (Fender) Installation	4-5
Front Fender Flare Removal	4-6
Front Fender Flare Installation	4-6
Roll-Over Protective Structure (ROPS)	4-6
ROPS Removal	4-7
ROPS Installation	4-8
Seat	4-9
Seat Removal	4-9
Seat Adjustment	4-9
Seat Installation	4-9
Seat Support Removal	4-10
Seat Support Installation	4-10
Safety Belts	4-10
Safety Belt Removal	4-10
Safety Belt Installation	4-11
Cargo Bed – Electric Lift	4-11
Testing the Bed Lift Motor	4-11
Bed Lift Motor Removal	4-11
Bed Lift Motor Installation	4-12
Cargo Bed Removal	4-12
Cargo Bed Installation	4-12
Cargo Bed – Manual Lift	4-13
Cargo Bed Removal	4-13
Cargo Bed Installation	4-13
Rear Fender	4-15
Rear Fender Removal	4-15
Rear Fender Installation	4-15
Floor Mat	4-15
Floor Mat Removal	4-15
Floor Mat Installation	4-15

SECTION 5 – ACCELERATOR AND BRAKE PEDAL ASSEMBLIES

Accelerator Pedal	5-1
Accelerator Pedal Removal	5-1
Accelerator Pedal Installation	5-2
Accelerator Pedal and RPM Adjustment	5-2
Brake Pedal	5-3
Brake Pedal Removal	5-3
Brake Pedal Installation	5-3
Brake Pedal Adjustment	5-4
Park Brake Pedal	5-4
Park Brake Pedal Assembly Removal	5-4
Park Brake Pedal Assembly Installation	5-4

SECTION 6 – HYDRAULIC AND PARK BRAKE SYSTEMS

Brake System Inspection	6-1
Brake System Troubleshooting	6-3
Brake Pads and Caliper	6-5
Front Brake Pad and Caliper Removal	6-5
Front Brake Pad and Caliper Installation	6-7
Rear Brake Pad and Caliper Removal	6-8
Rear Brake Pad and Caliper Installation	6-9
Brake Disc and Hub	6-10
Front Wheel Disc and Hub Removal	6-10
Front Wheel Disc and Hub Installation	6-14
Rear Wheel Disc Removal	6-15
Rear Wheel Disc Installation	6-16
Hydraulic Line Replacement	6-17
Front Brake Line Removal	6-17
Front Brake Line Installation	6-17
Rear Brake Line Removal	6-18
Rear Brake Line Installation	6-19
Master Cylinder and Reservoir	6-20
Filling the Hydraulic System	6-20
Reservoir Removal	6-20
Reservoir Installation	6-20
Master Cylinder Removal	6-21
Master Cylinder Installation	6-21
Bleeding the Hydraulic Brake System	6-22
Purging the Hydraulic System	6-23

Park Brake System	6-23
Park Brake Adjustment	6-23
Park Brake Cable Adjustment	6-24
Park Brake Wheel Cables	6-24
Front Park Brake Cable Removal	6-26
Front Park Brake Cable Installation	6-27
Park Brake Equalizer Removal	6-27
Park Brake Equalizer Installation	6-27

SECTION 7 – STEERING AND FRONT SUSPENSION

Steering Wheel	7-1
Steering Wheel Removal	7-1
Steering Wheel Installation	7-2
Steering Column	7-2
Steering Column Removal	7-2
Steering Column Installation	7-3
Rack and Pinion	7-3
Rack and Pinion Removal	7-3
Rack and Pinion Installation	7-4
Rack and Pinion Disassembly	7-5
Rack and Pinion Assembly	7-9
Front Suspension	7-11
Wheel Alignment	7-11
Front Suspension Components	7-13
Steering Upright Removal	7-13
Upper A-Arm Removal	7-14
Upper A-Arm Installation	7-16
Lower A-Arm Removal	7-16
Lower A-Arm Installation	7-17
Front Coil-Over Shock Absorber Removal	7-18
Front Coil-Over Shock Absorber Installation	7-19
Steering Upright Installation	7-19

SECTION 8 – WHEELS AND TIRES

General Information	8-1
Wheels	8-2
Wheel Removal	8-2
Wheel Installation	8-2

Tires	8-2
Tire Removal	8-2
Tire Installation	8-3

SECTION 9 – REAR SUSPENSION

Rear Coil-Over Shock Absorber	9-1
Swing Arms	9-2
Swing Arm Removal	9-2
Swing Arm Installation	9-3

SECTION 10A – PERIODIC MAINTENANCE: HONDA GASOLINE & KUBOTA DIESEL POWERED VEHICLES

Periodic Service Schedule	10a-1
Periodic Lubrication Schedule	10a-4
Lubricating The Attachment Arm And Interface	10a-6
Brake Fluid Reservoir	10a-7
Brake Fluid	10a-7
Engine Oil	10a-7
Oil Pressure – Gasoline Engine	10a-7
Engine Oil Level Check	10a-8
Engine Oil and Filter Change	10a-8
Oil Viscosity	10a-12
Gearcase Lubrication	10a-13
Lubrication Level Check for Front Differential, Transmission, and Rear Differential	10a-13
Lubrication Change for Front Differential, Transmission, and Rear Differential	10a-13
Hydraulic System – 2300 Vehicle	10a-15
Engine Coolant – Diesel Vehicles	10a-16
Engine Coolant Level Check	10a-16
Fueling Instructions	10a-16
Draining Water from Fuel Filter	10a-17
Battery	10a-18

SECTION 10B – PERIODIC MAINTENANCE: KAWASAKI GASOLINE & KUBOTA DIESEL POWERED VEHICLES

Periodic Service Schedule	10b-1
Periodic Lubrication Schedule	10b-4
Lubricating The Attachment Arm And Interface	10b-6
Brake Fluid Reservoir	10b-7
Brake Fluid	10b-7

Engine Oil	10b-7
Oil Pressure – Gasoline Engine	10b-8
Engine Oil Level Check	10b-8
Engine Oil and Filter Change	10b-8
Oil Viscosity	10b-11
Spark Plugs	10b-12
Spark Plug Cleaning And Inspection	10b-12
Spark Plug Gap Inspection	10b-12
Gearcase Lubrication	10b-13
Lubrication Level Check for Front Differential, Transmission, and Rear Differential	10b-13
Lubrication Change for Front Differential, Transmission, and Rear Differential	10b-13
Hydraulic System – 2300 Vehicle	10b-15
Engine Coolant – Diesel Vehicles	10b-16
Engine Coolant Level Check	10b-16
Fueling Instructions	10b-16
Draining Water from Fuel Filter	10b-17
Battery	10b-18

SECTION 11A – TROUBLESHOOTING AND ELECTRICAL SYSTEM: KAWASAKI POWERED GASOLINE VEHICLES

Troubleshooting Guide	11a-1
Wiring Diagram	11a-6
Test Procedures	11a-8
Index of Test Procedures	11a-8

SECTION 11B – TROUBLESHOOTING AND ELECTRICAL SYSTEM: HONDA POWERED GASOLINE VEHICLES

Troubleshooting Guide	11b-1
Wiring Diagram	11b-6
Test Procedures	11b-8
Index of Test Procedures	11b-8

SECTION 11C – TROUBLESHOOTING AND ELECTRICAL SYSTEM: DIESEL VEHICLES

Troubleshooting Guide	11c-1
Wiring Diagram	11c-6
Test Procedures	11c-10
Index of Test Procedures	11c-10

SECTION 12A – ELECTRICAL COMPONENTS: KAWASAKI POWERED GASOLINE VEHICLES

Starter and Starter Solenoid	12a-1
Relays	12a-1
Neutral Switch	12a-2
Carburetor Solenoid	12a-2
Carburetor Heater	12a-3
Voltage Regulator	12a-4
Warning Lights	12a-5
Fuel Gauge/Hour Meter	12a-6
Key Switch	12a-7
12-Volt Accessory Receptacle	12a-8
Bed Lift Switch	12a-9
Bed Lift Circuit Breaker	12a-9
Light Switch	12a-10
Fuse	12a-10
Reverse Warning Buzzer (If Equipped)	12a-11
Reverse Warning Buzzer Limit Switch (If Equipped)	12a-12
Front Differential Switch	12a-13
Fuel Level Sending Unit	12a-14
Ignition Coil and Charge Coil	12a-15
Oil Pressure Sensor	12a-15
Headlights	12a-15
Wire Harness Diodes	12a-16
Battery	12a-17
General Information	12a-17

SECTION 12B – ELECTRICAL COMPONENTS: HONDA POWERED GASOLINE VEHICLES

Starter and Starter Solenoid	12b-1
Relays	12b-1
Neutral Switch	12b-2
Carburetor Solenoid	12b-2
Voltage Regulator	12b-3
Warning Lights	12b-4
Fuel Gauge/Hour Meter	12b-5
Key Switch	12b-6
12-Volt Accessory Receptacle	12b-7
Bed Lift Switch	12b-8
Bed Lift Circuit Breaker	12b-8

Light Switch	12b-9
Fuse	12b-9
Reverse Warning Buzzer	12b-10
Reverse Warning Buzzer Limit Switch	12b-11
Fuel Level Sending Unit	12b-12
Ignition Coil and Charge Coil	12b-12
Charge Coil	12b-13
Oil Pressure Sensor	12b-13
Headlights	12b-13
Wire Harness Diodes	12b-14
Battery	12b-15
General Information	12b-15

SECTION 12C – ELECTRICAL COMPONENTS: DIESEL VEHICLES

Starter and Starter Solenoid	12c-1
Relays	12c-1
Neutral Switch	12c-2
Fuel Solenoid	12c-2
60-Amp Fusible Link	12c-3
Warning Lights	12c-4
Fuel Gauge/Hour Meter	12c-6
Key Switch	12c-6
12-Volt Accessory Receptacle	12c-7
Bed Lift Switch	12c-8
Bed Lift Circuit Breaker	12c-8
Light Switch	12c-9
Fuse	12c-9
Reverse Warning Buzzer (If Equipped)	12c-10
Reverse Warning Buzzer Limit Switch (If Equipped)	12c-11
Electric Fuel Pump	12c-12
Fuel Level Sending Unit	12c-12
Alternator	12c-13
Oil Pressure Sensor	12c-15
Headlights	12c-15
Thermostat Switch	12c-16
Fan	12c-17
Wire Harness Diodes	12c-18
Battery	12c-19
General Information	12c-19

SECTION 13A – KAWASAKI GASOLINE ENGINE, MUFFLER, FUEL SYSTEM, AND CLUTCHES

Gasoline Engine	13a-1
Engine Removal	13a-1
Engine Installation	13a-3
Oil Filter Hoses	13a-5
Exhaust System	13a-6
Muffler Removal	13a-6
Intermediate Pipe Removal	13a-7
Intermediate Pipe Installation	13a-7
Muffler Installation	13a-8
Fuel System	13a-9
Fuel Lines	13a-9
Fuel Filter	13a-10
Fuel Pump	13a-10
Carburetor	13a-10
Fuel Level Sending Unit	13a-11
Fuel Tank	13a-14
Fuel Shut-Off Valve	13a-17
Engine Control Linkages	13a-18
Accelerator Cable	13a-18
Choke Cable	13a-20
Engine Governor Arm	13a-21
Engine RPM Adjustment	13a-22
Air Intake System	13a-23
Air Filter Replacement	13a-23
Air Canister Removal	13a-24
Air Canister Installation	13a-24
Air Filter Intake Hose Removal	13a-25
Air Filter Intake Hose Installation	13a-25
Air Filter Outlet Hose Removal	13a-26
Air Filter Outlet Hose Installation	13a-26
Clutches	13a-27
Clutch Troubleshooting	13a-27
Drive Belt	13a-28
Drive Clutch	13a-29
Driven Clutch	13a-34
Clutch Cover	13a-37

SECTION 13B – HONDA GASOLINE ENGINE, MUFFLER, FUEL SYSTEM, AND CLUTCHES

Gasoline Engine	13b-1
Engine Removal	13b-1
Engine Installation	13b-3
Exhaust System	13b-5
Muffler Removal	13b-5
Intermediate Pipe Removal	13b-5
Intermediate Pipe Installation	13b-6
Muffler Installation	13b-6
Fuel System	13b-7
Fuel Lines	13b-8
Fuel Filter	13b-8
Fuel Pump	13b-8
Carburetor	13b-8
Fuel Level Sending Unit	13b-9
Fuel Tank	13b-12
Fuel Shut-Off Valve	13b-15
Oil Filter Hoses	13b-16
Engine Control Linkages	13b-16
Accelerator Cable	13b-16
Governor Guard	13b-19
Governor Cable	13b-19
Accelerator Cable Retention Clip Adjustment	13b-20
Ground Speed (Transmission) Governor Arm Adjustment	13b-21
Engine Governor Arm	13b-23
Engine RPM Adjustment	13b-23
Choke and Air Intake System	13b-24
Air Filter Replacement	13b-24
Choke Cable Removal	13b-25
Choke Cable Installation	13b-26
Air Canister Removal	13b-26
Air Canister Installation	13b-27
Air Filter Intake Hose Removal	13b-27
Air Filter Intake Hose Installation	13b-28
Air Filter Outlet Hose Removal	13b-28
Air Filter Outlet Hose Installation	13b-29

Clutches	13b-29
Clutch Troubleshooting	13b-30
Drive Belt	13b-30
Drive Clutch	13b-31
Driven Clutch	13b-36
Clutch Cover	13b-39

SECTION 13C – DIESEL ENGINE, MUFFLER, FUEL SYSTEM, AND CLUTCHES

Diesel Engine	13c-1
Engine Removal	13c-1
Engine Installation	13c-3
Exhaust System	13c-5
Muffler Removal	13c-5
Intermediate Pipe Removal	13c-5
Manifold Pipe Removal	13c-6
Manifold Pipe Installation	13c-6
Intermediate Pipe Installation	13c-6
Muffler Installation	13c-7
Fuel System	13c-8
Fuel Lines	13c-9
Fuel Filter Replacement	13c-9
Draining Water from the Secondary Fuel Filter	13c-9
Electric Fuel Pump	13c-11
Fuel Level Sending Unit	13c-12
Fuel Tank	13c-16
Engine Control Linkages	13c-19
Accelerator Cable	13c-19
Engine RPM Adjustment	13c-20
Air Intake System	13c-23
Air Filter Replacement	13c-23
Air Canister Removal	13c-23
Air Canister Installation	13c-24
Air Filter Intake Hose Removal	13c-24
Air Filter Intake Hose Installation	13c-25
Air Filter Outlet Hose Removal	13c-26
Air Filter Outlet Hose Installation	13c-26

Clutches	13c-27
Clutch Troubleshooting	13c-27
Drive Belt	13c-28
Drive Clutch	13c-29
Driven Clutch	13c-33
Clutch Cover	13c-35

SECTION 14 – DRIVETRAIN COMPONENTS

Half Shafts	14-1
Half Shaft Removal	14-1
Half Shaft Installation	14-3
Front Differential	14-4
Front Differential Removal	14-4
Front Differential Installation	14-6
Front Driveshaft	14-6
Front Driveshaft Removal	14-6
Front Driveshaft Installation	14-7
Rear Receiver Hitch	14-7
Rear Receiver Hitch Removal	14-7
Rear Receiver Hitch Installation	14-7
Rear Axle	14-8
Rear Axle Removal	14-8
Rear Axle Installation	14-10
Rear Driveshaft	14-11
Rear Driveshaft Removal	14-11
Rear Driveshaft Installation	14-12
Transmission	14-12
Transmission Removal	14-12
Transmission Installation	14-14
Forward/Reverse Shifter Cable	14-15
Forward/Reverse Shifter Handle	14-18
Rear Differential and Axle Shafts	14-18
Rear Differential and Axle Shaft Removal	14-18
Rear Differential and Axle Shaft Installation	14-20
Rear Wheel Bearings	14-20

SECTION 15 – RADIATOR AND COOLANT SYSTEM (DIESEL)

General Information	15-1
Engine Coolant Level Check	15-1
Engine Coolant Change	15-1

Coolant Reservoir	15-3
Coolant Reservoir Removal	15-3
Coolant Reservoir Installation	15-4
Radiator	15-4
Radiator Removal	15-4
Radiator Installation	15-5
Coolant Pipe Weldment	15-6
Coolant Pipe Weldment Removal	15-6
Coolant Pipe Weldment Installation	15-6
Fan	15-7
Fan Removal	15-7
Fan Installation	15-7

SECTION 16 – TRANSMISSION MODELS 421274 AND 421275

General Information	16-1
Model Identification	16-1
Service Fixture	16-1
Transmission Removal	16-2
Transmission Disassembly	16-2
Input Shaft Disassembly	16-8
Input Shaft Assembly	16-8
Intermediate Shaft Disassembly	16-8
Output Shaft Disassembly	16-12
Shifter Shaft Removal	16-13
Shifter Shaft Installation	16-14
Case Inspection	16-14
Shaft Seal Removal	16-15
Shaft Seal Installation	16-15
Output Shaft Assembly	16-15
Intermediate Shaft Assembly	16-18
Intermediate and Output Shaft Assembly	16-22
Transmission Assembly	16-23
Transmission Installation	16-27

SECTION 17 – FRONT DIFFERENTIAL MODELS 6203-01-139-S AND 6203-01-189-S

General Information	17-1
Axle Half Shaft Removal	17-1
Front Differential Removal	17-2
Tools Required For This Section	17-3

Front Differential Coil And Output Cover	17-3
Coil and Output Cover Removal	17-3
Coil and Output Cover Installation	17-6
Front Differential	17-8
Front Differential Disassembly	17-8
Front Differential Assembly	17-14
Front Differential Installation	17-18
Axle Half Shaft Installation	17-18

SECTION 18 – REAR DIFFERENTIAL MODELS 420366 AND 420851

General Information	18-1
Axle Shafts and Differential Removal	18-2
Rear Differential Disassembly	18-2
Pinion Gear Removal	18-4
Ring Gear Removal	18-6
Clutch Carrier Assembly	18-7
Ring Gear Installation	18-8
Pinion Gear Installation	18-9
Rear Differential Assembly	18-9
Axle Shafts and Differential Installation	18-11

SECTION 19 – KUBOTA D722 DIESEL ENGINE MANUAL

SECTION 20A – KAWASAKI FH680D GASOLINE ENGINE MANUAL

SECTION 20B – HONDA GX 620 GASOLINE ENGINE MANUAL

SECTION 21 – HYDRAULIC ATTACHMENT SYSTEM

Model Identification	21-1
Relieving Hydraulic System Pressure	21-1
To Relieve Hydraulic Fluid Pressure	21-1
Attachment Interface	21-2
Inspection	21-2
Removing and Installing the Attachment Arm Mechanism	21-3

Electrical	21-8
Joystick	21-10
Joystick ON/OFF Switch	21-12
Attachment Arm Float Switch	21-14
Auxiliary Hydraulic Switch	21-15
Relays	21-17
Solenoid	21-19
Circuit Breaker	21-20
Control Valves	21-21
Hoses	21-23
Hose Routing	21-23
Hose Removal	21-24
Hose Installation	21-24
Quick Connect Fittings (Auxiliary Hydraulic Circuit only)	21-25
Quick Connect Removal	21-25
Quick Connect Installation	21-25
Cylinders	21-26
Vehicle Mounted Cylinders	21-26
Auxiliary Cylinder (Optional)	21-27
Cylinder Disassembly	21-29
Cylinder Assembly	21-32
Cylinder Bushings (If Equipped)	21-37
Angle Frame Bushings	21-39
Snow Blade Angle Frame	21-39
Whisk Broom Angle Frame	21-40
Front Mount	21-41
Front Mount Removal	21-41
Front Mount installation	21-42
Hydraulic Pump Assembly	21-43
Fluid Level Inspection	21-43
Fluid Change	21-43
Pump Assembly	21-44
Reservoir	21-47
Motor	21-48
Pump	21-49
Priming the Pump	21-49

SECTION i – INDEX

SECTION 1 – SAFETY

To ensure the safety of those servicing these vehicles, and to protect the vehicles from damage resulting from improper service or maintenance, the procedures in this manual must be followed. It is important to note that throughout this manual there are statements contained within headings labeled DANGER, WARNING, CAUTION, or NOTE. These special statements relate to specific safety issues, and must be read, understood, and heeded before proceeding.

⚠ DANGER

- A DANGER indicates an immediate hazard that will result in severe personal injury or death.

⚠ WARNING

- A WARNING indicates an immediate hazard that could result in severe personal injury or death.

⚠ CAUTION

- A CAUTION with the safety alert symbol indicates a hazard or unsafe practice that could result in minor personal injury.

CAUTION

- A CAUTION without the safety alert symbol indicates a potentially hazardous situation that could result in property damage.

GENERAL WARNING

The following safety statements must be heeded whenever the vehicle is being operated, repaired, or serviced. Service technicians should become familiar with these safety statements, which can be found throughout this manual. Also, other specific safety statements appear throughout this manual and on the vehicle.

⚠ DANGER

- **Battery – Explosive gases! Do not smoke. Keep sparks and flames away from the vehicle and service area. Ventilate when charging or operating vehicle in an enclosed area. Wear a full face shield and rubber gloves when working on or near batteries.**
- **Battery – Poison! Contains acid! Causes severe burns. Avoid contact with skin, eyes, or clothing. Antidotes:**
 - External: Flush with water. Call a physician immediately.
 - Internal: Drink large quantities of milk or water. Follow with milk of magnesia or vegetable oil. Call a physician immediately.
 - Eyes: Flush with water for 15 minutes. Call a physician immediately.
- **Gasoline/Diesel – Flammable! Explosive! Do not smoke. Keep sparks and flames away from the vehicle and service area. Service only in a well-ventilated area.**
- **Do not operate engine in an enclosed area without proper ventilation. The engine produces carbon monoxide, which is an odorless, deadly poison.**

 WARNING

- Follow the procedures exactly as stated in this manual, and heed all DANGER, WARNING, and CAUTION statements in this manual as well as those on the vehicle.
- Only trained technicians should service or repair the vehicle. Anyone doing even simple repairs or service should have knowledge and experience in electrical and mechanical repair. The appropriate instructions must be used when performing maintenance, service, or accessory installation.
- Prior to servicing the vehicle or leaving the vehicle unattended, turn the key switch OFF, remove the key, and place the Forward/Reverse handle in the NEUTRAL position. Chock the wheels when servicing the vehicle.
- To avoid unintentionally starting the vehicle:
 - Disconnect battery cables, negative (–) cable first (Figure 1-2, Page 1-3).
 - Gasoline vehicles only: Disconnect the spark plug wires from the spark plugs.
- Frame ground – Do not allow tools or other metal objects to contact frame when disconnecting battery cables or other electrical wiring. Do not allow a positive wire to touch the vehicle frame, engine, or any other metal component.
- Wear safety glasses or approved eye protection when servicing the vehicle. Wear a full face shield and rubber gloves when working on or near batteries.
- Do not wear loose clothing or jewelry such as rings, watches, chains, etc., when servicing the vehicle.
- Moving parts! Do not attempt to service the vehicle while it is running.
- Hot! Do not attempt to service hot engine or exhaust system. Failure to heed this warning could result in severe burns.
- Use insulated tools when working near batteries or electrical connections. Use extreme caution to avoid shorting of components or wiring.
- Check the vehicle owner's manual for proper location of all vehicle safety and operation decals and make sure they are in place and are easy to read.
- Any modification or change to the vehicle that affects the stability or handling of the vehicle, or increases maximum vehicle speed beyond factory specifications, could result in severe personal injury or death.
- The diameter of all tires on the vehicle must be equal, otherwise the all-wheel drive system will not operate as intended and could result in severe personal injury or death. Never install tires of different diameters on the vehicle.
- Lift only one end of the vehicle at a time. Use a suitable lifting device (chain hoist or hydraulic floor jack) with 1000 lb. (454 kg) minimum lifting capacity. Do not use lifting device to hold vehicle in raised position. Use approved jack stands of proper weight capacity to support the vehicle and chock the wheels that remain on the floor. When not performing a test or service procedure that requires movement of the wheels, lock the brakes.
- When servicing the vehicle with part of the vehicle on jack stands, do not operate the engine with the Forward/Reverse handle in either the FORWARD or REVERSE position. The all-wheel drive system will engage any wheel(s) with traction. See Figure 1-1, Page 1-3.

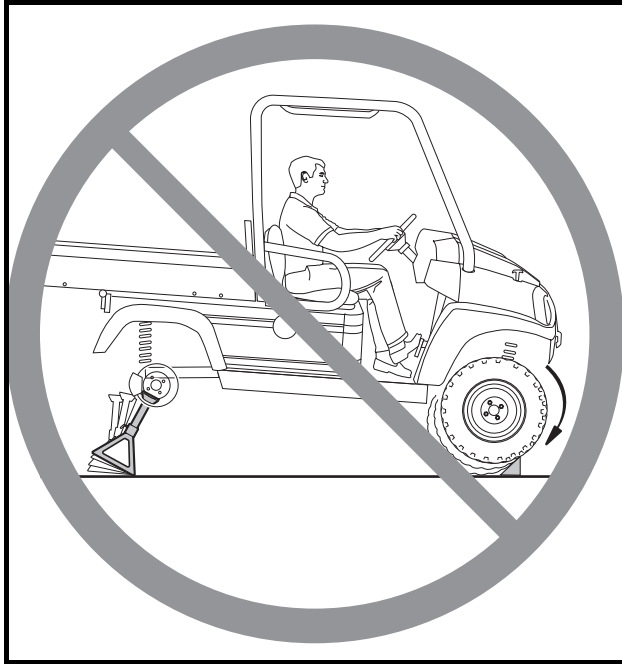


Figure 1-1 All-Wheel Drive Warning

- If wires are removed or replaced, make sure wiring and wire harness are properly routed and secured. Failure to properly route and secure wiring could result in vehicle malfunction, property damage, personal injury, or death.
- For vehicles with cargo beds, remove all cargo before raising the bed or servicing the vehicle. If the vehicle is equipped with a prop rod, ensure that it is securely engaged while bed is raised. Do not close bed until all persons are clear of cargo bed area. Keep hands clear of all crush areas. Do not drop cargo bed; lower gently and keep entire body clear. Failure to heed this warning could result in severe personal injury or death.
- Improper use of the vehicle or failure to properly maintain it could result in decreased vehicle performance, severe personal injury, or death.
- Do not leave children unattended on vehicle.

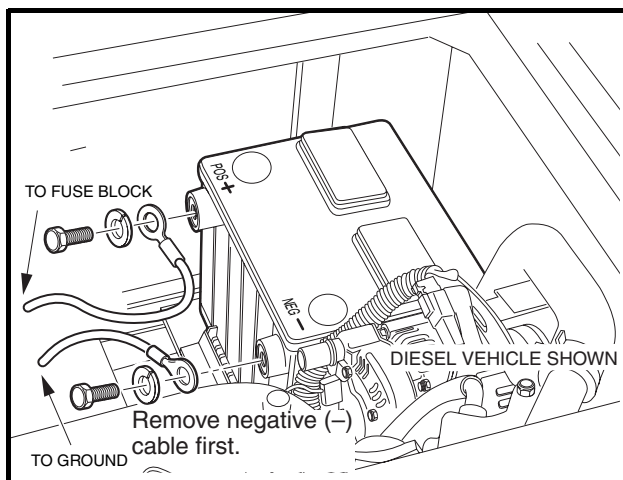


Figure 1-2 Battery

SECTION 2A – VEHICLE SPECIFICATIONS: HONDA GAS & KUBOTA DIESEL POWERED

2200 AND 2200S SPECIFICATIONS

SPECIFICATIONS	Bobcat 2200	Bobcat 2200	Bobcat 2200S	Bobcat 2200S
POWER SOURCE	Gasoline	Diesel	Gasoline	Diesel
Engine: 4-cycle OHV, 614 cc, 20.0 maximum HP @3600 rpm (per SAE J 1940/1349), twin-cylinder, air-cooled, with pressure lubrication system	.		.	
Engine: 4-cycle OHV, 719 cc, 20.0 maximum HP @3600 rpm (per SAE J 1940/1349), three-cylinder, liquid-cooled, with pressure lubrication system		.		.
Fuel system: Side-draft carburetor with float bowl, fixed jets, fuel filters, and impulse fuel pump	.		.	
Fuel system: Mechanical injection, fuel water separator, fuel filters, and electric fuel pump		.		.
Governor: (Honda Engine) Automatic ground-speed sensing, internally geared in transmission	.		.	
Governor: internal to engine, mechanical, centrifugal ball		.		.
Ignition: Transistorized magneto	.		.	
Ignition: Compression		.		.
Transmission: Forward and reverse with neutral (4.98:1 forward, 7.79:1 reverse)
Electrical system: 12 volt, 500 cca at 0 °F (-17.8 °C), 650 at 32 °F (0 °C). 105-minute reserve capacity and 35-amp charging capacity
Torque converter: Automatic, variable-speed, dry type
STEERING/SUSPENSION/BRAKES				
Suspension: Front: Independent double A-arms with coil-over shock absorbers Rear: Swing arms with coil-over shock absorbers
Steering: Self-adjusting rack and pinion, Ackerman
Brakes: Hydraulic brake system – brake pads and discs on each wheel with separate foot-operated park brake
BODY/CHASSIS				
Frame/Chassis: Box tube aluminum
Side and rear body: Plastic
Cargo bed: Powder-coated steel
Front body: Gelyo XTWM206
Tires: All Terrain: 25 x 10.5 – 12 front and rear; tubeless, 4-ply rated load range Mud: 25 x 11 – 12 front and rear; tubeless, 4-ply rated load range
DIMENSIONS/WEIGHT				
<i>NOTE: Items marked with an asterisk (*) indicate approximate values.</i>				
*Overall length (box bed configuration, without brushguard):	122 in. (309.9 cm)		154 in. (391.2 cm)	
Overall width: without mirror with mirror	58.5 in. (148.5 cm) 63.6 in. (161.5 cm)			
*Overall height (with ROPS): with mud tires with all-terrain tires	82.3 in. (209 cm)		80.3 in. (203.8 cm)	
Wheelbase	81.5 in. (207 cm)		114 in. (289.5 cm)	
Specifications continued on next page...				

SPECIFICATIONS	Bobcat 2200	Bobcat 2200	Bobcat 2200S	Bobcat 2200S
	Gasoline	Diesel	Gasoline	Diesel
DIMENSIONS/WEIGHT, CONTINUED				
Ground clearance: under differential	8.2 in. (20.8 cm)			
Front and rear wheel tread	48.8 in. (124 cm)			
*Weight: 2-passenger gasoline with electric bed lift, mud tires, and without brush guard 2-passenger diesel with electric bed lift, mud tires, and brush guard 4-passenger gasoline with all-terrain tires 4-passenger diesel with all-terrain tires	1450 lb. (657.6 kg)	1597 lb. (724.2 kg)	1630 lb. (739.2 kg)	1734 lb. (786.4 kg)
Forward speed	25 mph (40 km/h)			
Governed RPM	3825			
Turning Radius	138 in. (350.5 cm)		204 in. (518.2 cm)	
Load bed height	34 in. (86.4 cm)			
Load bed size (box bed inside dimensions)	48.0 x 49.8 x 10.9 in. (122 x 127 x 28 cm) (15.3 cubic feet)			
Maximum payload capacity (level surface only)	800 lb. (363 kg) High capacity option: 1050 lb. (476 kg)		800 lb. (363 kg)	
Vehicle rated capacity (payload, driver, and passenger; level surface only)	1200 lb. (544 kg) High capacity option: 1450 lb (658 kg)		1600 lb. (725.5 kg)	
Maximum gross vehicle weight (fully loaded vehicle, including accessories)	2750 lb. (1247 kg) High capacity option: 3012 lb. (1366 kg)		3350 lb. (1519.1 kg)	
Standard seating capacity	2		4	
LIQUID CAPACITIES				
Engine (Honda) crankcase with filter: SAE 10W-30, API classification SJ	1 qt. and 25 oz (1.7 L)		1 qt. and 25 oz. (1.7 L)	
Engine crankcase with filter: SAE 10W-30, API classification CF		3 qt. (2.8 L)		3 qt. (2.8 L)
Front differential: Bobcat Trans/Differential Fluid P/N 6687120	5 oz. (150 mL)			
Rear differential: Bobcat Trans/Differential Fluid P/N 6687120	20 oz. (600 mL)			
Transmission: Bobcat Trans/Differential Fluid P/N 6687120	20 oz. (600 mL)			
Engine coolant: mixture of 55% propylene glycol and 45% water	n/a	2 gal. (7.8 L)	n/a	2.25 gal. (8.5 L)
Brake fluid: DOT 5 (silicone) brake fluid	8 oz. (240 ml)		17.9 oz. (530 ml)	
Fuel tank: unleaded gasoline	6.5 gallons (24.6 L)		6.5 gallons (24.6 L)	
Fuel tank: diesel grade no.2 with cetane rating of 45 or higher		6.5 gallons (24.6 L)		6.5 gallons (24.6 L)
TIRE PRESSURE				
All-terrain tread and mud tires	20 - 22 psi (1.38 - 1.52 Bars)			

2300 SPECIFICATIONS

SPECIFICATIONS	Bobcat 2300
POWER SOURCE	Diesel
Engine: 4-cycle OHV, 719 cc, 20.0 maximum HP @3600 rpm (per SAE J 1940/1349), three-cylinder, liquid-cooled, with pressure lubrication system	•
Fuel system: Mechanical injection, fuel water separator, fuel filters, and electric fuel pump	•
Governor: internal to engine, mechanical, centrifugal ball	•
Ignition: Compression	•
Transmission: Forward and reverse with neutral (5.39:1 forward, 7.79:1 reverse)	•
Electrical system: 12 volt, 500 cca at 0 °F (-17.8 °C), 650 at 32 °F (0 °C). 105-minute reserve capacity and 60-amp charging capacity	•
Torque converter: Automatic, variable-speed, dry type	•
STEERING/SUSPENSION/BRAKES	
Suspension: Front: Independent double A-arms with coil-over shock absorbers Rear: Swing arms with coil-over shock absorbers	•
Steering: Self-adjusting rack and pinion, Ackerman	•
Brakes: Hydraulic brake system – brake pads and discs on each wheel with separate foot-operated park brake	•
BODY/CHASSIS	
Frame/Chassis: Box tube aluminum	•
Side and rear body: Plastic	•
Cargo bed: Powder-coated steel	•
Front body: Geloy XTWM206	•
Tires: All Terrain: 25 x 10.5 – 12 front and rear; tubeless, 4-ply rated load range Mud: 25 x 11 – 12 front and rear; tubeless, 4-ply rated load range	•
DIMENSIONS/WEIGHT	
Overall length with cylinders “stored” and no attachment arm or interface with attachment arm and interface and both cylinder fully retracted with both cylinders in position for maximum overall vehicle length	121 in. (307 cm) 136 in. (345 cm) 155 in. (394 cm)
Overall width:	57.8 in. (147 cm)
Overall height (with ROPS)	78.75 in. (200 cm)
Wheelbase	82 in. (208.3 cm)
Ground clearance: under differential under floorboard	7.3 in. (18.5cm) 11.1 in. (28 cm)
Front wheel tread	48.25 in. (122.5 cm)
Rear wheel tread	48.63 in. (123.5 cm)
Weight (with all-terrain tires)	1800 lb. (815 kg)
Forward speed	25 mph (40 kph)
Governed RPM	3825
Turning radius (per SAE J 695)	23 ft-10 in.
Load bed height	32.5 in. (83 cm)
DIMENSIONS/WEIGHT continued on next page...	

SPECIFICATIONS	Bobcat 2300
DIMENSIONS/WEIGHT, CONTINUED	
Load bed size (box bed inside dimensions)	48.0 x 49.8 x 10.9 in. (122 x 127 x28 cm) (15.3 cubic feet)
Maximum payload capacity (level surface only)	800 lb. (363 kg)
Vehicle rated capacity (payload, driver, and passenger; level surface only)	1200 lb. (544 kg)
Maximum attachment arm load (includes attachment weight plus attachment load)	500 lb. (227 kg)
Maximum gross vehicle weight (fully loaded vehicle, including accessories)	3200 lb. (1451 kg)
Standard seating capacity	2
LIQUID CAPACITIES	
Engine crankcase with filter: SAE 10W-30, API classification CF	3 qt. (2.8 L)
Front differential: Bobcat Trans/Differential Fluid (P/N 6687120)	5 oz. (150 mL)
Rear differential: Bobcat Trans/Differential Fluid (P/N 6687120)	20 oz. (600 mL)
Transmission: Bobcat Trans/Differential Fluid (P/N 6687120)	20 oz. (600 mL)
Engine coolant: mixture of 55% propylene glycol and 45% water	2 gal. (7.8 L)
Brake fluid: DOT 5 (silicone) brake fluid	8 oz. (240 mL)
Fuel tank: diesel grade no.2 with cetane rating of 45 or higher	6.5 gallons (24.6 L)
Hydraulic fluid: Bobcat Hydraulic Fluid	1.3 gallons (5.0 L)
TIRE PRESSURE	
All-terrain tread and mud tires	20-22 psi (1.38 - 1.52 Bars)

SECTION 2B – VEHICLE SPECIFICATIONS: KAWASAKI GAS & KUBOTA DIESEL POWERED

2200 AND 2200S SPECIFICATIONS

SPECIFICATIONS	2200	2200	2200S	2200S
POWER SOURCE	Gasoline	Diesel	Gasoline	Diesel
Engine: (Kawasaki) 4-cycle OHV, 675 cc, 23.0 maximum HP @3600 rpm (per SAE J 1940/1349), twin-cylinder, air-cooled, with pressure lubrication system	•		•	
Engine: 4-cycle OHV, 719 cc, 20.0 maximum HP @3600 rpm (per SAE J 1940/1349), three-cylinder, liquid-cooled, with pressure lubrication system		•		•
Fuel system: Side-draft carburetor with float bowl, fixed jets, fuel filters, and impulse fuel pump	•		•	
Fuel system: Mechanical injection, fuel water separator, fuel filters, and electric fuel pump		•		•
Governor (Kawasaki engine): internal to engine, centrifugal ball	•		•	
Governor: internal to engine, mechanical, centrifugal ball		•		•
Ignition: Transistorized magneto	•		•	
Ignition: Compression		•		•
Transmission: Forward and reverse with neutral (5.39:1 forward, 7.79:1 reverse)	•	•	•	•
Electrical system: 12 volt, 500 cca at 0 °F (-17.8 °C), 650 at 32 °F (0 °C). 105-minute reserve capacity and 35-amp charging capacity	•	•	•	•
Torque converter: Automatic, variable-speed, dry type	•	•	•	•
STEERING/SUSPENSION/BRAKES				
Suspension: Front: Independent double A-arms with coil-over shock absorbers Rear: Swing arms with coil-over shock absorbers	•	•	•	•
Steering: Self-adjusting rack and pinion, Ackerman	•	•	•	•
Brakes: Hydraulic brake system – brake pads and discs on each wheel with separate foot-operated park brake	•	•	•	•
BODY/CHASSIS				
Frame/Chassis: Box tube aluminum	•	•	•	•
Side and rear body: Plastic	•	•	•	•
Cargo bed: Powder-coated steel	•	•	•	•
Front body: Gelyo XTWM206	•	•	•	•
Tires: All Terrain: 25 x 10.5 – 12 front and rear; tubeless, 4-ply rated load range Mud: 25 x 11 – 12 front and rear; tubeless, 4-ply rated load range	•	•	•	•
DIMENSIONS/WEIGHT				
<i>NOTE: Items marked with an asterisk (*) indicate approximate values.</i>				
*Overall length (box bed configuration, without brushguard):	122 in. (309.9 cm)		154 in. (391.2 cm)	
Overall width: without mirror with mirror	58.5 in. (148.5 cm) 63.6 in. (161.5 cm)			
*Overall height (with ROPS): with mud tires with all-terrain tires	82.3 in. (209 cm)		80.3 in. (203.8 cm)	
Wheelbase	81.5 in. (207 cm)		114 in. (289.5 cm)	
Specifications continued on next page...				



Suggest:

If the above button click is invalid.

Please download this document

first, and then click the above link

to download the complete manual.

Thank you so much for reading

SPECIFICATIONS	2200	2200	2200S	2200S
	Gasoline	Diesel	Gasoline	Diesel
DIMENSIONS/WEIGHT, CONTINUED				
Ground clearance: under differential	8.2 in. (20.8 cm)			
Front and rear wheel tread	48.8 in. (124 cm)			
*Weight: 2-passenger gasoline with electric bed lift, mud tires, and without brush guard 2-passenger diesel with electric bed lift, mud tires, and brush guard 4-passenger gasoline with all-terrain tires 4-passenger diesel with all-terrain tires	1450 lb. (657.6 kg)	1597 lb. (724.2 kg)	1630 lb. (739.2 kg)	1734 lb. (786.4 kg)
Forward speed	25 mph (40 km/h)			
Governed RPM	3825			
Turning Radius	138 in. (350.5 cm)		204 in. (518.2 cm)	
Load bed height	34 in. (86.4 cm)			
Load bed size (box bed inside dimensions)	48.0 x 49.8 x 10.9 in. (122 x 127 x 28 cm) (15.3 cubic feet)			
Maximum payload capacity (level surface only)	800 lb. (363 kg) High capacity option: 1050 lb. (476 kg)		800 lb. (363 kg)	
Vehicle rated capacity (payload, driver, and passenger; level surface only)	1200 lb. (544 kg) High capacity option: 1450 lb (658 kg)		1600 lb. (725.5 kg)	
Maximum gross vehicle weight (fully loaded vehicle, including accessories)	2750 lb. (1247 kg) High capacity option: 3012 lb. (1366 kg)		3350 lb. (1519.1 kg)	
Standard seating capacity	2		4	
LIQUID CAPACITIES				
Engine (Kawasaki) crankcase with filter: SAE 10W-30, API classification SJ	1 qt. and 19 oz. (1.5 L)		1 qt. and 19 oz. (1.5 L)	
Engine crankcase with filter: SAE 10W-30, API classification CF		3 qt. (2.8 L)		3 qt. (2.8 L)
Front differential: Bobcat Trans/Differential Fluid P/N 6687120	5 oz. (150 mL)			
Rear differential: Bobcat Trans/Differential Fluid P/N 6687120	20 oz. (600 mL)			
Transmission: Bobcat Trans/Differential Fluid P/N 6687120	20 oz. (600 mL)			
Engine coolant: mixture of 55% propylene glycol and 45% water	n/a	2 gal. (7.8 L)	n/a	2.25 gal. (8.5 L)
Brake fluid: DOT 5 (silicone) brake fluid	8 oz. (240 ml)		17.9 oz. (530 ml)	
Fuel tank: unleaded gasoline	6.5 gallons (24.6 L)		6.5 gallons (24.6 L)	
Fuel tank: diesel grade no.2 with cetane rating of 45 or higher		6.5 gallons (24.6 L)		6.5 gallons (24.6 L)
TIRE PRESSURE				
All-terrain tread and mud tires	20 - 22 psi (1.38 - 1.52 Bars)			

<https://www.ebooklibonline.com>

Hello dear friend!

Thank you very much for reading.

Enter the link into your browser.

The full manual is available for immediate download.

<https://www.ebooklibonline.com>