



# Bobcat®

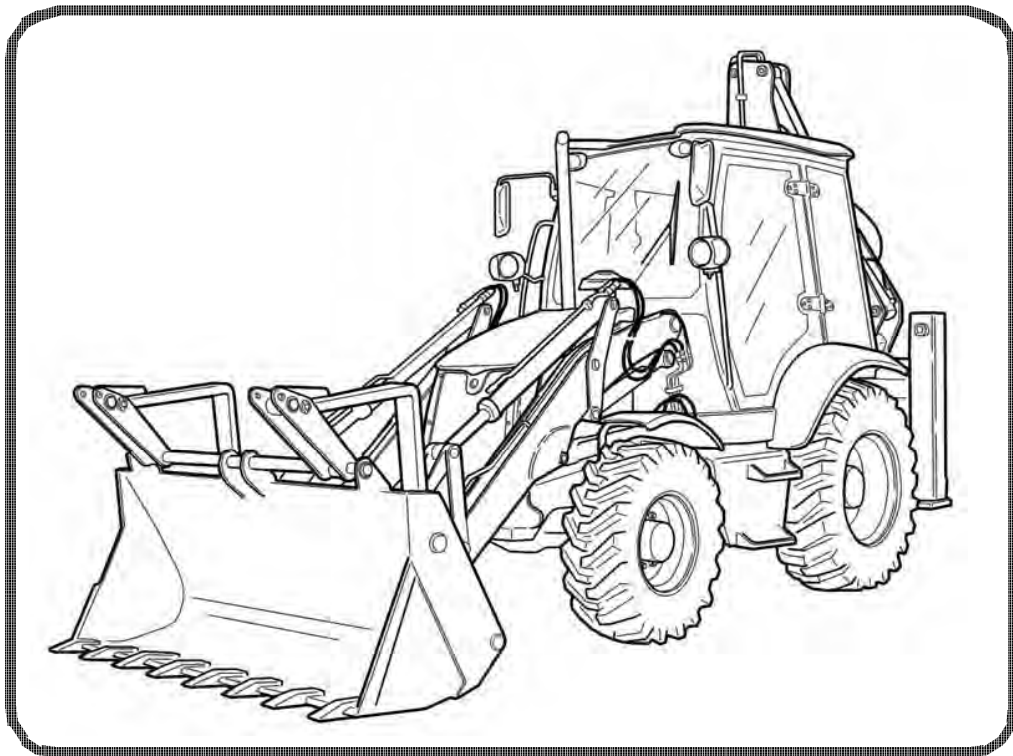
---

## Service Manual

# B730, B750 & B780 Backhoe Loader

---

**(B730) S/N B45111001 & Above**  
**(B750) S/N B45211001 & Above**  
**(B780) S/N B45311001 & Above**



Dealer Copy -- Not for Resale  
Dealer Copy -- Not for Resale



# MAINTENANCE SAFETY



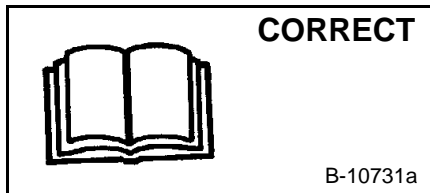
## WARNING

Instructions are necessary before operating or servicing machine. Read and understand the Operation & Maintenance Manual, Operator's Handbook and signs (decals) on machine. Follow warnings and instructions in the manuals when making repairs, adjustments or servicing. Check for correct function after adjustments, repairs or service. Untrained operators and failure to follow instructions can cause injury or death.

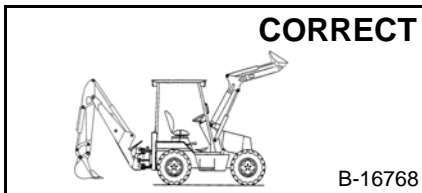
W-2003-0807



**Safety Alert Symbol:** This symbol with a warning statement, means: "Warning, be alert! Your safety is involved!" Carefully read the message that follows.

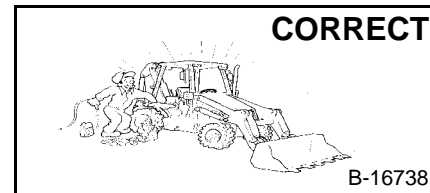


⚠ Never service the Bobcat Backhoe Loader without instructions.



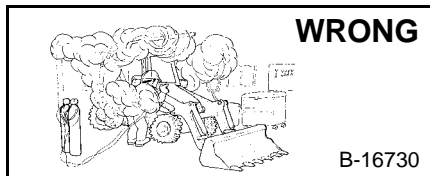
⚠ Always use an approved lift arm support device when servicing the backhoe loader with the lift arms raised. Replace the lift arm support device if damaged or missing.

⚠ Disconnecting or loosening any hydraulic tubeline, hose, fitting component, or part failure can cause lift arms or backhoe boom to drop.



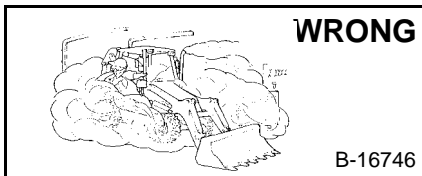
⚠ Cleaning and maintenance are required daily.

⚠ NEVER modify equipment or add attachments not approved by Bobcat.



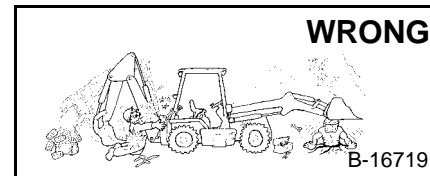
⚠ Have good ventilation when welding or grinding painted parts.

⚠ Wear dust mask when grinding painted parts. Toxic dust and gas can be produced.



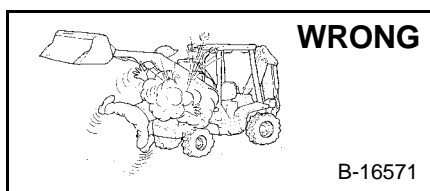
⚠ Vent exhaust to outside when engine must be run for service.

⚠ Exhaust system must be tightly sealed. Exhaust Fumes can kill without warning.



⚠ Never work on backhoe loader with lift arms raised unless supported by an approved lift arm support device.

⚠ Always lower the backhoe bucket to the ground before doing any maintenance.

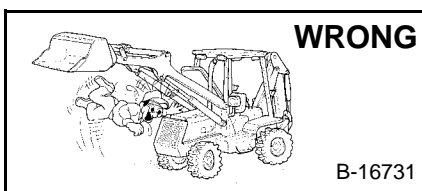


⚠ Stop, cool and clean engine of flammable materials before checking fluids.

⚠ Never service or adjust machine with the engine running unless instructed to do so in the manual.

⚠ Avoid contact with leaking hydraulic fluid or diesel fuel under pressure. It can penetrate the skin or eyes.

⚠ Never fill fuel tank with engine running, while smoking or when near open flame.



⚠ Keep body, jewelry and clothing away from moving parts, electrical contact, hot parts and exhaust.

⚠ Wear eye protection to guard from battery acid, compressed springs, fluids under pressure and flying debris when engines are running or tools are used.

⚠ Use eye protection approved for type of welding.

⚠ Keep engine cover closed except for service. Close and latch engine cover before operating the backhoe loader.



⚠ Lead-acid batteries produce flammable and explosive gases.

⚠ Keep arcs, sparks, flames and lighted tobacco away from batteries.

⚠ Batteries contain acid which burns eyes or skin on contact. Wear protective clothing. If acid contacts body, flush well with water. For eye contact flush well and get immediate medical attention.

Maintenance procedures which are given in the Operation & Maintenance Manual can be performed by the owner/operator without any specific technical training. Maintenance procedures which are **not** in the Operation & Maintenance Manual must be performed **ONLY BY QUALIFIED BOBCAT SERVICE PERSONNEL**. Always use **genuine Bobcat replacement parts**.

MSW46-0116

Dealer Copy -- Not for Resale

## CONTENTS

GENERAL INFORMATION .....	10-01
LUBRICATION AND MAINTENANCE .....	20-01
HYDRAULIC SYSTEM .....	30-01
ELECTRICAL SYSTEM .....	40-01
AXLES .....	50-01
TRANSMISSION .....	60-01
ENGINE SERVICE .....	70-01
ALPHABETICAL INDEX .....	INDEX-01

**<https://www.ebooklibonline.com>**

Hello dear friend!

Thank you very much for reading.

Enter the link into your browser.

The full manual is available for immediate download.

**<https://www.ebooklibonline.com>**

## GENERAL INFORMATION

MACHINE INFORMATION .....	10-10-1
B730 Specification .....	10-10-1
B750 Specification .....	10-10-3
B780 Specification .....	10-10-5
TECHNICAL PROPERTIES .....	10-20-1
B730 Specifications .....	10-20-1
Engine .....	10-20-1
Electrical System .....	10-20-1
Hydraulic System .....	10-20-1
Transmission .....	10-20-1
Axle / Brakes .....	10-20-2
Tires .....	10-20-2
Loader .....	10-20-2
Backhoe .....	10-20-2
Cab / Canopy .....	10-20-2
Steering .....	10-20-3
Capacities .....	10-20-3
Weights .....	10-20-3
B750 Specifications .....	10-20-4
Engine .....	10-20-4
Electrical System .....	10-20-4
Hydraulic System .....	10-20-4
Transmission .....	10-20-4
Axle / Brakes .....	10-20-5
Tires .....	10-20-5
Loader .....	10-20-5
Backhoe .....	10-20-5
Cab / Canopy .....	10-20-5
Steering .....	10-20-5
Capacities .....	10-20-6
Weights .....	10-20-6
B780 Specifications .....	10-20-7
Engine .....	10-20-7
Electrical System .....	10-20-7
Hydraulic System .....	10-20-7
Transmission .....	10-20-7
Axle / Brakes .....	10-20-8
Tires .....	10-20-8
Loader .....	10-20-8
Backhoe .....	10-20-8
Cab / Canopy .....	10-20-8
Steering .....	10-20-8
Capacities .....	10-20-9
Weights .....	10-20-9
MAIN COMPONENTS .....	10-30-1

POSITION OF MACHINE .....	10-40-1
Loader Attachment Position .....	10-40-1
Backhoe Attachment Position .....	10-40-1
SAFETY INSTRUCTION .....	10-50-1
General Safety Information .....	10-50-2
Crushing And Burning Prevention .....	10-50-3
Fire And Explosion Prevention .....	10-50-3
Hydraulic Lines And Hoses .....	10-50-4
STORAGE .....	10-60-1
Preparing The Machine For Storage .....	10-60-1
Preparing The Machine For Work After A Long Period Of Storage .....	10-60-1

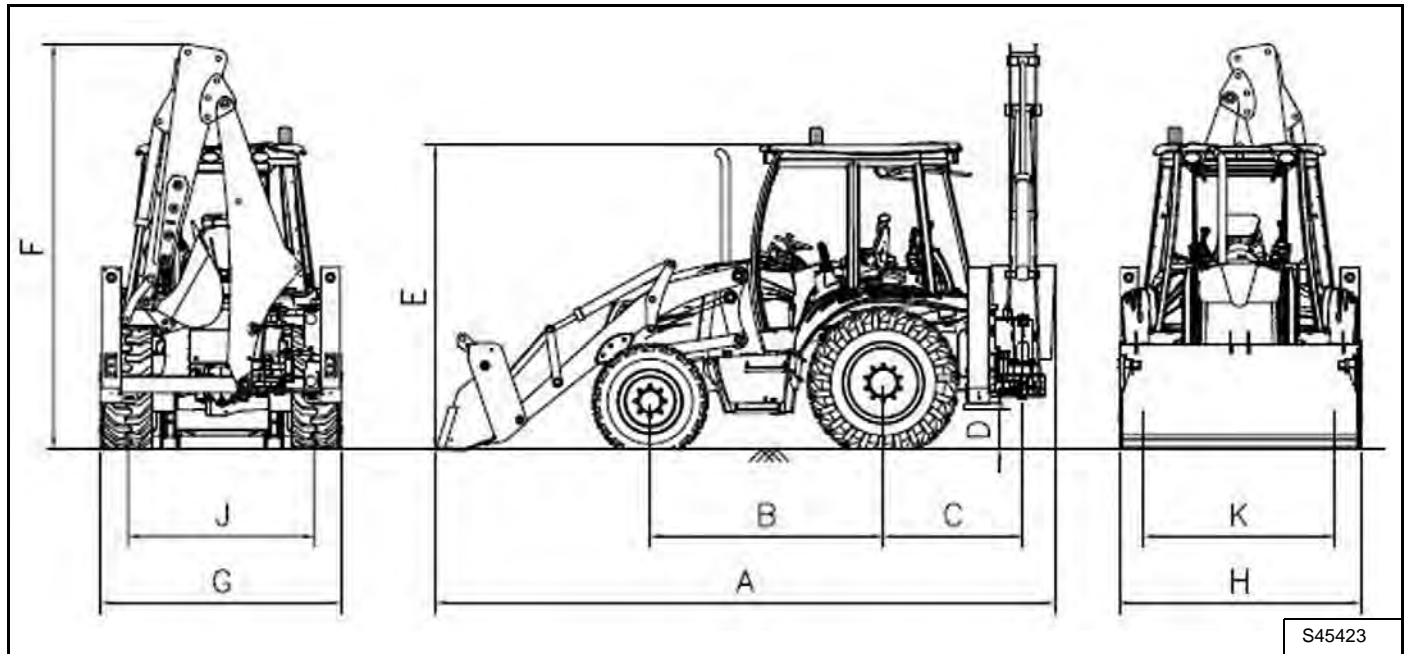
## MACHINE INFORMATION

### B730 Specification

These are backhoe loaders that are designed with operating weight up to **8.2 tons, rigid frame, bucket capacity of 0.2 m<sup>3</sup> and shovel capacity of 1.1 m<sup>3</sup>**. This machine is designed to dig and load in closed and open terrain.



**WARNING:** Because of exhaust gas, use the machine only in well ventilated areas.

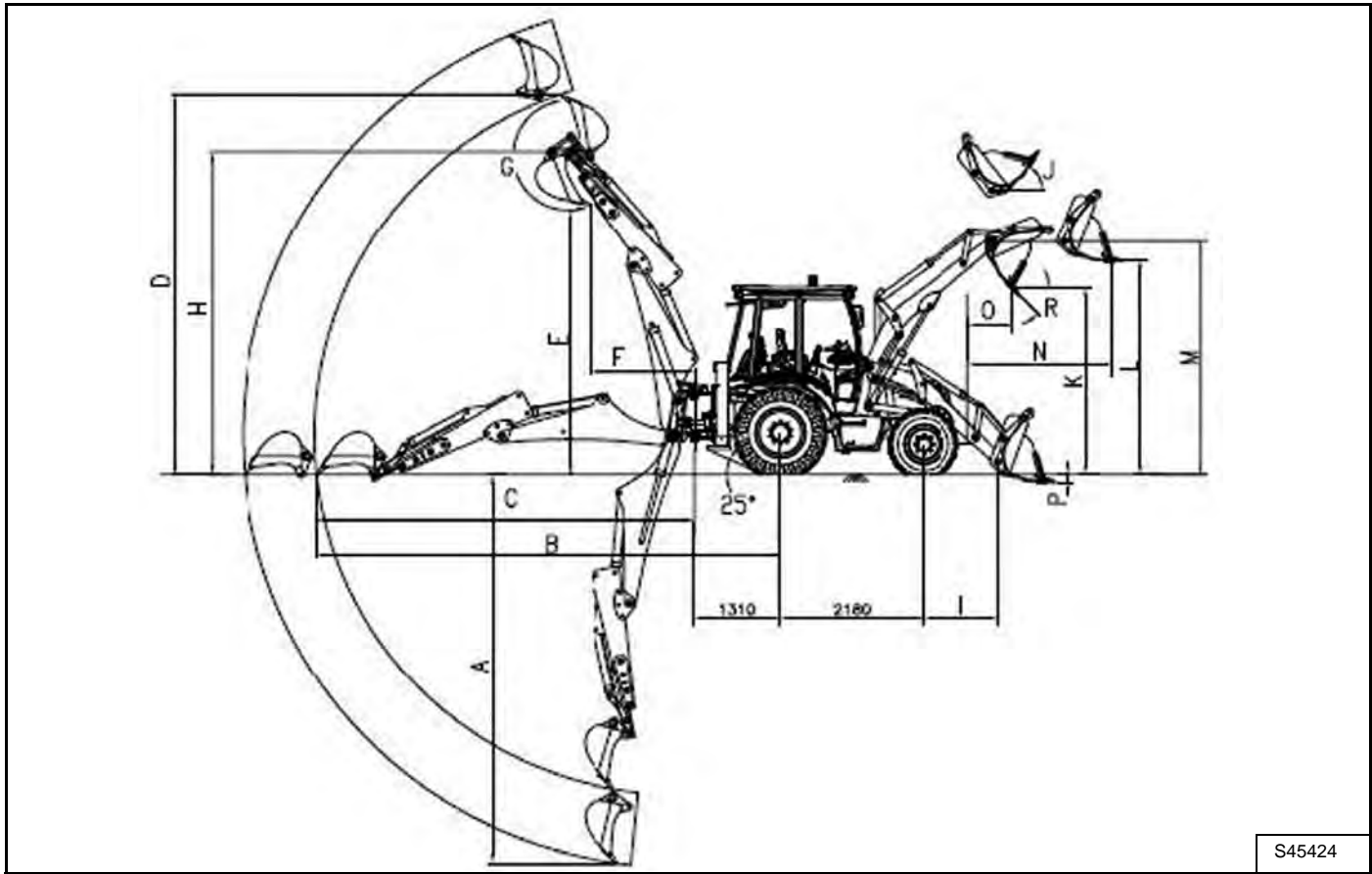


A	Overall Machine Length In Travel Position	5950 mm (234.25 in)	F	Machine Height In Travel Position	3900 mm (153.54 in)
B	Wheelbase	2180 mm (85.83 in)	G	Machine Width	2280 mm (89.76 in)
C	Backhoe Swing Center Distance	1300 mm (51.18 in)	H	Overall Width With Bucket	2280 mm (89.76 in)
D	Minimum Machine Height	380 mm (14.96 in)	J	Rear Wheel Track	1770 mm (69.68 in)
E	Cab Height	2900 mm (114.17 in)	K	Front Wheel Track	1895 mm (74.61 in)

Dealer Copy -- Not for Resale

**MACHINE INFORMATION (CONT'D)**

**B730 Specification (Cont'd)**



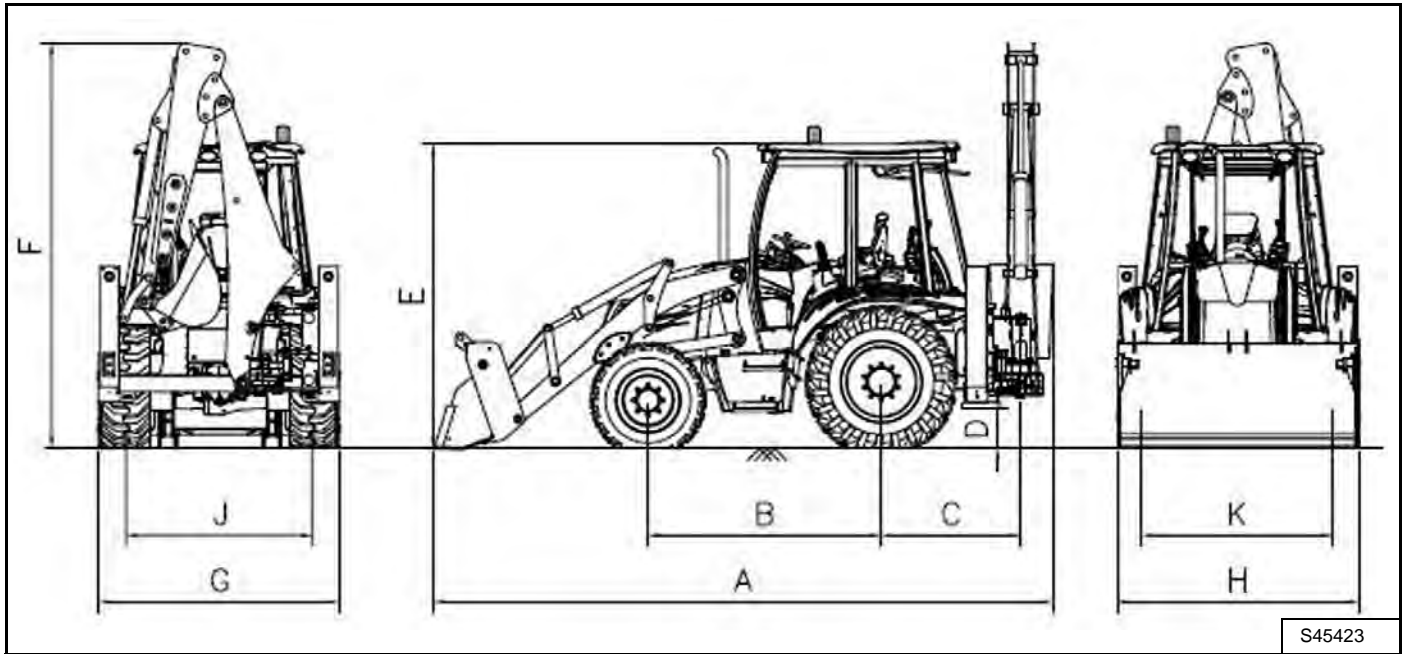
		Retracted	Extended			
A	Maximum Dig Depth	4600 mm (181.10 in)	5800 mm (228.35 in)	I	Distance Between Hinge Pin And Front Axle Center	1220mm (48.03 in)
B	Max Reach From Rear Axle Center	7000mm (275.59 in)	8100 mm (318.90 in)	J	Max Rollback Angle, Fully Raised	59.2°
C	Max Reach From Swing Center	5700 mm (224.41 in)	6800 mm (267.72 in)	K	Dump Height	2810 mm (110.63 in)
D	Maximum Digging Height	5600 mm (220.47 in)	6450 mm (253.94 in)	L	Loadover Height	3280 mm (129.13 in)
E	Maximum Dumping Height	3850 mm (151.57 in)	4700 mm (185.04 in)	M	Height To Hinge Pin	3520 mm (138.58 in)
F	Loading Reach	1800 mm (70.87 in)	2650 mm (104.33 in)	N	Max Reach At Full Height	1070 mm (42.13 in)
G	Bucket Rotation Angle	200.4°	200.4°	O	Dumping Reach	620 mm (24.41 in)
H	Max Bucket Hinge Pin Height	4750 mm (187.01 in)	5550 mm (218.50 in)	P	Digging Depth	115 mm (4.53 in)
				R	Dump Angle	45°

Dealer Copy -- Not for Resale

## MACHINE INFORMATION (CONT'D)

### B750 Specification

These are backhoe loaders that are designed with operating weight up to **8.2 tons**, **rigid frame**, **bucket capacity of 0.2 m<sup>3</sup>** and **shovel capacity of 1.1 m<sup>3</sup>**. This machine is designed to dig and load in closed and open terrain.

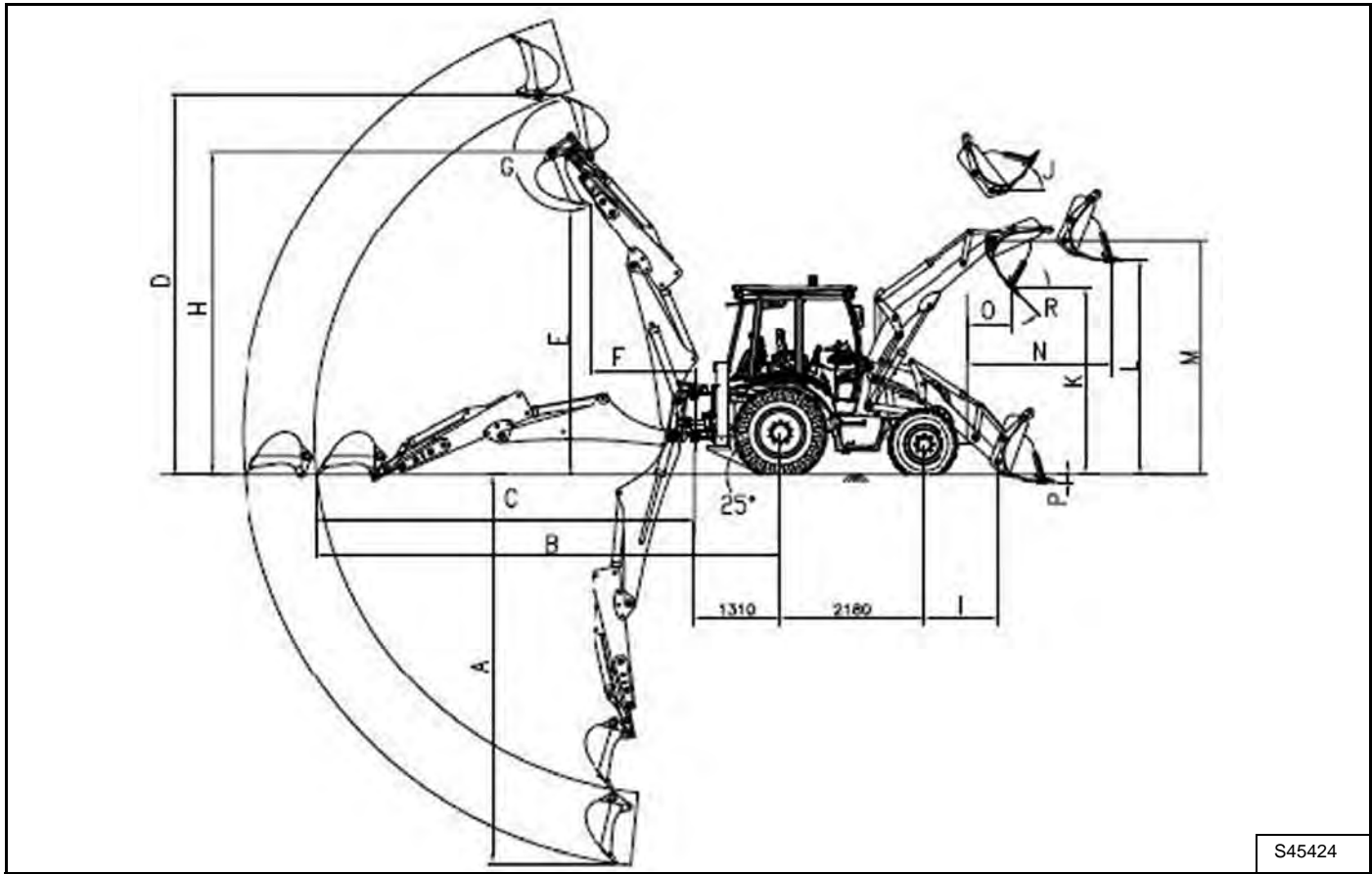


A	Overall Machine Length In Travel Position	6100 mm (240.16 in)	F	Machine Height In Travel Position	3900 mm (153.54 in)
B	Wheelbase	2180 mm (85.83 in)	G	Machine Width	2280 mm (89.76 in)
C	Backhoe Swing Center Distance	1300 mm (51.18 in)	H	Overall Width With Bucket	2280 mm (89.76 in)
D	Minimum Machine Height	400 mm (15.75 in)	J	Rear Wheel Track	1770 mm (69.68 in)
E	Cab Height	2900 mm (11.17 in)	K	Front Wheel Track	1820 mm (71.65 in)

Dealer Copy -- Not for Resale

**MACHINE INFORMATION (CONT'D)**

**B750 Specification (Cont'd)**



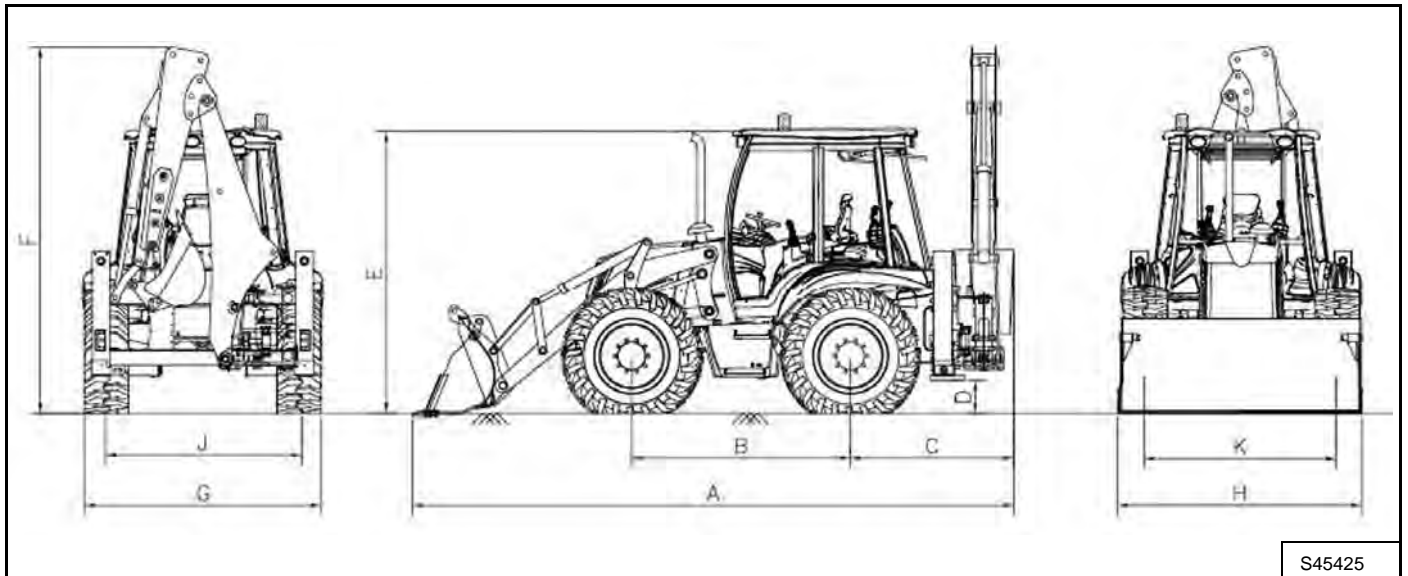
		Retracted	Extended			
A	Maximum Dig Depth	4600 mm (181.10 in)	5800 mm (228.35 in)	I	Distance Between Hinge Pin And Front Axle Center	1460mm (57.48 in)
B	Max Reach From Rear Axle Center	7000mm (275.59 in)	8100 mm (318.90 in)	J	Max Rollback Angle, Fully Raised	59.2°
C	Max Reach From Swing Center	5700 mm (224.41 in)	6800 mm (267.72 in)	K	Dump Height	2950 mm (116.14 in)
D	Maximum Digging Height	5600 mm (220.47 in)	6450 mm (253.94 in)	L	Loadover Height	3370 mm (132.68 in)
E	Maximum Dumping Height	3850 mm (151.57 in)	4700 mm (185.04 in)	M	Height To Hinge Pin	3670 mm (144.49 in)
F	Loading Reach	1800 mm (70.87 in)	2650 mm (104.33 in)	N	Max Reach At Full Height	1125 mm (44.29 in)
G	Bucket Rotation Angle	200.4°	200.4°	O	Dumping Reach	685 mm (24.41 in)
H	Max Bucket Hinge Pin Height	4750 mm (187.01 in)	5550 mm (218.50 in)	P	Digging Depth	113 mm (4.45 in)
				R	Dump Angle	45°

Dealer Copy -- Not for Resale

## MACHINE INFORMATION (CONT'D)

### B780 Specification

These are backhoe loaders that are designed with operating weight up to **8.7 tons**, **rigid frame**, **bucket capacity of 0.2 m<sup>3</sup>** and **shovel capacity of 1.1 m<sup>3</sup>**. This machine is designed to dig and load in closed and open terrain

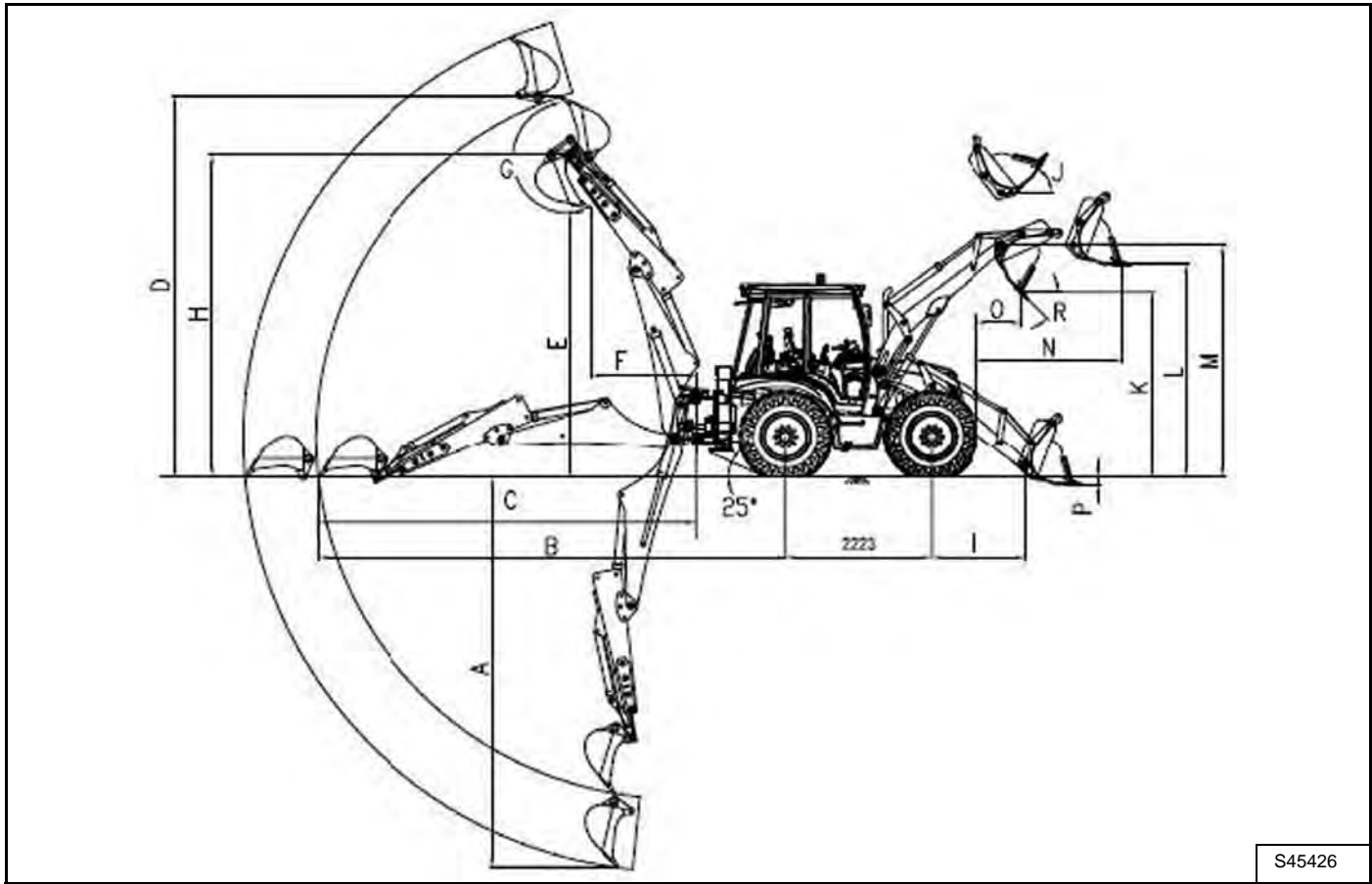


A	Overall Machine Length In Travel Position	6375 mm (250.98 in)	F	Machine Height In Travel Position	3880 mm (152.76 in)
B	Wheelbase	2223 mm (87.52 in)	G	Machine Width	2400 mm (94.49 in)
C	Backhoe Swing Center Distance	1355 mm (53.35 in)	H	Overall Width With Bucket	2400 mm (94.49 in)
D	Minimum Machine Height	385 mm (15.16 in)	J	Rear Wheel Track	1950 mm (76.77 in)
E	Cab Height	2930 mm (71.65 in)	K	Front Wheel Track	1950 mm (76.77 in)

Dealer Copy -- Not for Resale

**MACHINE INFORMATION (CONT'D)**

**B780 Specification (Cont'd)**



		Retracted	Extended			
A	Maximum Dig Depth	4600 mm (181.10 in)	5800 mm (228.35 in)	I	Distance Between Hinge Pin And Front Axle Center	1550 mm (61.02 in)
B	Max Reach From Rear Axle Center	7000mm (275.59 in)	8100 mm (318.90 in)	J	Max Rollback Angle, Fully Raised	59.2°
C	Max Reach From Swing Center	5700 mm (224.41 in)	6800 mm (267.72 in)	K	Dump Height	2865 mm (112.79 in)
D	Maximum Digging Height	5600 mm (220.47 in)	6450 mm (253.94 in)	L	Loadover Height	3450 mm (135.83 in)
E	Maximum Dumping Height	3850 mm (151.57 in)	4700 mm (185.04 in)	M	Height To Hinge Pin	3590 mm (141.34 in)
F	Loading Reach	1800 mm (70.87 in)	2650 mm (104.33 in)	N	Max Reach At Full Height	1620 mm (63.78 in)
G	Bucket Rotation Angle	200.4°	200.4°	O	Dumping Reach	595 mm (23.43 in)
H	Max Bucket Hinge Pin Height	4750 mm (187.01 in)	5550 mm (218.50 in)	P	Digging Depth	117 mm (4.61 in)
				R	Dump Angle	45°

Dealer Copy -- Not for Resale

## TECHNICAL PROPERTIES

### B730 Specifications

#### Engine

Make & Model	PERKINS 1104C-44T
Emission Type	Tier II
Engine Type	4 Stroke diesel, Turbocharged
Engine Power	74.5 kW/ 100 hp
Rated Speed	2200 rpm
Displacement	4.4 L (268.5 ci)
Bore And Stroke	105 x 127 mm (4.13 x 5.00 in)
Number Of Cylinder	4
Maximum Torque	408 N•m (300.92 ft-lb)
Cooling	Water cooled

#### Electrical System

Battery	12 volt / 120 Ah
Starter	3,2 kW (4.3 hp)
Alternator	75A

#### Hydraulic System

Type	Open center
Hydraulic Pump	Tandem Gear
Maximum Flow	90 + 64 Lpm (23.78 + 16.91 gpm)
Maximum Pressure	22000 kPa (220 bar) (3191 psi)
Hydraulic Oil Filter	Full flow filter in return line with integrated fine filter area
Hydraulic Oil Cooler	Hydraulic and transmission oil cooler
Hydraulic Controls	
Backhoe Control	Mechanical control lever
Loader Control	Mechanical control lever

#### Transmission

Make	ZF	
Drive	4 Wheel Drive	
Type	Powershift	
2WD / 4WD Selection	By switch on dash panel	
Transmission Disconnect	Push button and brake system	
Travel Speeds	Forward	Reverse
1st	6,5 km/h (4.0 mph)	7,0 km/h (4.4 mph)
2nd	11 km/h (6.8 mph)	12 km/h (7.5 mph)
3rd	26 km/h (16.2 mph)	30 km/h (18.6 mph)
4th	40 km/h (24.9 mph)	

Dealer Copy -- Not for Resale

## TECHNICAL PROPERTIES (CONT'D)

### B730 Specifications (Cont'd)

#### Axle / Brakes

Type (Front and Rear)	ZF
Front Axle Oscillation	20 degrees
Steering angle	52 degrees
Rear Axle	Electro-hydraulic operated differential lock, outboard planetary design, self-adjusting high torque internal wet service brake
Service Brake Type	Hydraulic wet multi - disc
Parking Brake Type	Mechanical control on rear axle

#### Tires

Front 2WD / 4WD - standard	12.5 - 18
Rear - standard	16.9 - 28

#### Loader

Bucket capacity	1.1 m <sup>3</sup> (1.4 y <sup>3</sup> )
Breakout force - lift	81,5 kN (118322 lbf)
Breakout force shovel maximum	60,5 kN (13601 lbf)
Bucket width	2280 mm (69.76 in)
Lift height to hinge pin	3520 mm (138.58 in)
ROC (ISO 14397-1) Bucket Application	3413 kg (7524 lb)

#### Backhoe

Maximum bucket break - out force	59,1 kN (13277 lbf)
Bucket capacity	0.2 m <sup>3</sup> (0.26 y <sup>3</sup> )
Bucket width	600 mm (23.62 in)
Arm tear - out	
Retracted	31,8 kN (7140 lbf)
Extended (With Optional extendable arm)	22,4 kN (5033 lbf)

#### Cab / Canopy

Cab	ROPS (ISO 3741) and FOPS (ISO 3449 Level II) type tinted safety glass giving total visibility, full opening rear-side windows, front and rear windshield wipers, fully adjustable front/rear and up/down seat, Fresh air heater/blower, full heat control
Canopy	ROPS (ISO 3741) and FOPS (ISO 3449 Level II), fully adjustable front/rear and up/down seat.

Dealer Copy -- Not for Resale

## TECHNICAL PROPERTIES (CONT'D)

### B730 Specifications (Cont'd)

#### Steering

Steering type	2 wheel hydraulic
Power steering	Hydrostatic
Turning circle - outer front tire clearance	9500 mm (31.2 ft)
Turning circle - outer bucket clearance	12,320 mm (40.4 ft)

#### Capacities

	MAXIMUM CAPACITY	SERVICE CAPACITY
Engine oil (with filters)	8,4 l (8.9 qt)	8,0 l (8.5 qt)
Cooling system	25,0 l (6.6 U.S. gal)	25,0 l (6.6 U.S. gal)
Fuel tank	140,0 l (37 U.S. gal)	140,0 l (37 U.S. gal)
Hydraulic tank	75,0 l (19.8 U.S. gal)	90,0 l (23.8 U.S. gal)
Hydraulic system	130,0 l (34.3 U.S. gal)	130,0 l (34.3 U.S. gal)
Transmission	19,0 l (5.0 U.S. gal)	14,0 - 16 l (3.7 - 4.2 U.S. gal)
Axle oil		
Front	8,0 l (8.5 qt)	5,5 l (5.8 qt)
Rear	16,0 l (4.2 U.S. gal)	9,0 l (2.4 U.S. gal)
Brake oil	0,4 l (0.42 qt)	0,4 l (0.42 qt)

#### Weights

Operating Weight	7800 kg (17196 lb)
------------------	--------------------

Dealer Copy -- Not for Resale

## TECHNICAL PROPERTIES (CONT'D)

### B750 Specifications

#### Engine

Make & Model	PERKINS 1104C-44T
Emission Type	Tier II
Engine Type	4 Stroke diesel, Turbocharged
Engine Power	74.5 kW/ 100 hp
Rated Speed	2200 rpm
Displacement	4.4 L (268.5 ci)
Bore And Stroke	105 x 127 mm (4.13 x 5.00 in)
Number Of Cylinder	4
Maximum Torque	408 N•m (300.92 ft-lb)
Cooling	Water cooled

#### Electrical System

Battery	12 volt / 120 Ah
Starter	3,2 kW (4.3 hp)
Alternator	75A

#### Hydraulic System

Type	Open Center
Hydraulic Pump	Tandem Gear
Maximum Flow	90 + 64 Lpm (23.78 + 16.91 gpm)
Maximum Pressure	22000 kPa (220 bar) (3191 psi)
Hydraulic Oil Filter	Full flow filter in return line with integrated fine filter area
Hydraulic Oil Cooler	Hydraulic and transmission oil cooler
Hydraulic Controls	
Backhoe Control	Pilot controls
Loader Control	Pilot controls

#### Transmission

Make	ZF	
Drive	4 Wheel Drive	
2WD / 4WD Selection	By switch on dash panel	
Type	Powershift	
Transmission disconnect	Push button and brake system	
Travel Speeds	Forward	Reverse
1st	6,5 km/h (4.0 mph)	7,0 km/h (4.4 mph)
2nd	11 km/h (6.8 mph)	12 km/h (7.5 mph)
3rd	26 km/h (16.2 mph)	30 km/h (18.6 mph)
4th	40 km/h (24.9 mph)	

Dealer Copy -- Not for Resale

## TECHNICAL PROPERTIES (CONT'D)

### B750 Specifications (Cont'd)

#### Axle / Brakes

Type	ZF
Front Oscillation	20 degrees
Steering angle	52 degrees
Rear Axle	Electro-hydraulic operated differential lock, outboard planetary design, self-adjusting high torque internal wet service brake
Service Brake Type	Hydraulic wet multi - disc
Parking Brake Type	Mechanical control on rear axle

#### Tires

Front 4WD - standard	14.5 - 20
Rear 4WD - standard	16,9 - 28

#### Loader

Shovel capacity	1,1 m <sup>3</sup> (1.4 y <sup>3</sup> )
Breakout force - lift	56,1 kN (12612 lbf)
Breakout force shovel maximum	81,6 kN (18344 lbf)
Bucket width	2280 mm (89.76 in)
Lift height to hinge pin	3670 mm (144.49 in)
ROC (ISO 14397-1) Bucket Application	2905.5 kg (6505 lb)

#### Backhoe

Maximum bucket breakout	59,1 kN (13277 lbf)
Arm breakout force	
Retracted	31,8 kN (7140 lbf)
Extended (with optional extendable arm)	22,4 kN (5036 lbf)
Bucket capacity	0,2 m <sup>3</sup> (0.26 y <sup>3</sup> )
Bucket width	600 mm (23.62 in)

#### Cab / Canopy

Cab	ROPS (ISO 3741) and FOPS (ISO 3449 Level II) type tinted safety glass giving total visibility, full opening rear-side windows, front and rear windshield wipers, fully adjustable front/rear and up/down seat, Fresh air heater/blower, full heat control
Canopy	ROPS (ISO 3741) and FOPS (ISO 3449 Level II), fully adjustable front/rear and up/down seat.

#### Steering

Steering type	2 wheel steer hydrostatic
Power steering	Hydrostatic
Turning circle - outer front tire clearance	12,170 mm (39.9 ft)
Turning circle - outer bucket clearance	14,600 mm (47.9 ft)

Dealer Copy -- Not for Resale

## TECHNICAL PROPERTIES (CONT'D)

### B750 Specifications (Cont'd)

#### Capacities

	MAXIMUM CAPACITY	SERVICE CAPACITY
Engine oil (with filters)	8,4 l (8.9 qt)	8,0 l (8.5 qt)
Cooling system	25,0 l (6.6 U.S. gal)	25,0 l (6.6 U.S. gal)
Fuel tank	140,0 l (37 U.S. gal)	140,0 l (37 U.S. gal)
Hydraulic tank	75,0 l (19.8 U.S. gal)	90,0 l (23.8 U.S. gal)
Hydraulic system	130,0 l (34.3 U.S. gal)	130,0 l (34.3 U.S. gal)
Transmission	19,0 l (5.0 U.S. gal)	14,0 - 16 l (3.7 - 4.2 U.S. gal)
Axle oil		
Front	8,0 l (8.5 qt)	5,5 l (5.8 qt)
Rear	16,0 l (4.2 U.S. gal)	9,0 l (2.4 U.S. gal)
Brake oil	0,4 l (0.42 qt)	0,4 l (0.42 qt)

#### Weights

Operating Weight	8000 kg (17637 lb)
------------------	--------------------

Dealer Copy -- Not for Resale

## TECHNICAL PROPERTIES (CONT'D)

### B780 Specifications

#### Engine

Make & Model	PERKINS 1104C-44T
Emission Type	Tier II
Engine Type	4 Stroke diesel, Turbocharged
Engine Power	74.5 kW/ 100 hp
Rated Speed	2200 rpm
Displacement	4.4 L (268.5 ci)
Bore And Stroke	105 x 127 mm (4.13 x 5.00 in)
Number Of Cylinder	4
Maximum Torque	408 N•m (300.92 ft-lb)
Cooling	Water cooled

#### Electrical System

Battery	12 volt / 120 Ah
Starter	3,2 kW (4.3 hp)
Alternator	75A

#### Hydraulic System

Type	Open Center
Hydraulic Pump	Tandem Gear
Maximum Flow	90 + 64 Lpm (23.78 + 16.91 gpm)
Maximum Pressure	22000 kPa (220 bar) (3191 psi)
Hydraulic Oil Filter	Full flow filter in return line with integrated fine filter area
Hydraulic Oil Cooler	Hydraulic and transmission oil cooler
Hydraulic Controls	
Backhoe Control	Pilot controls
Loader Control	Pilot controls

#### Transmission

Make	Carraro	
Drive	All Wheel Drive (AWD)	
2WD / 4WD Selection	By switch on dash panel	
Type	Auto Powershift	
Transmission disconnect	Push button and brake system	
Travel Speeds	Forward	Reverse
1st	5,8 km/h (3.6 mph)	5,8 km/h (3.6 mph)
2nd	9,6 km/h (6.0 mph)	9,6 km/h (6.0 mph)
3rd	21,2 km/h (13.17 mph)	21, 2 km/h (13.17 mph)
4th	40 km/h (24.9 mph)	40 km/h (24.9 mph)

Dealer Copy -- Not for Resale

## TECHNICAL PROPERTIES (CONT'D)

### B780 Specifications (Cont'd)

#### Axle / Brakes

Type	Carraro
Front Oscillation	16 degrees
Steering angle	52 degrees
Rear Axle	Electro-hydraulic operated differential, outboard planetary design, self-adjusting high torque internal wet service brake
Service Brake Type	Hydraulic wet multi - disc
Parking Brake Type	Mechanical control on rear axle

#### Tires

Front 4WD-standard	16.9 - 28
Rear 4WD-standard	16.9 - 28

#### Loader

Bucket capacity	1,1 m <sup>3</sup> (1.4 y <sup>3</sup> )
Breakout force - lift	56,1 kN (12612 lbf)
Breakout force bucket maximum	81,6 kN (18344 lbf)
Bucket width	2400 mm (89.76 in)
Lift height to hinge pin	3590 mm (141.34 in)
ROC (ISO 14397-1) Bucket Application	3122 kg (6883 lb)

#### Backhoe

Maximum bucket breakout	59,1 kN (13277 lbf)
Arm break out	
Retracted	31,8 kN (7140 lbf)
Extended (with optional extendable arm)	22,4 kN (5036 lbf)
Bucket capacity	0,2 m <sup>3</sup> (0.26 y <sup>3</sup> )
Bucket width	600 mm (23.62 in)

#### Cab / Canopy

Cab	ROPS (ISO 3741) and FOPS (ISO 3449 Level II) type tinted safety glass giving total visibility, full opening rear-side windows, front and rear windshield wipers, fully adjustable front/rear and up/down seat, Fresh air heater/blower, full heat control
Canopy	ROPS (ISO 3741) and FOPS (ISO 3449 Level II), fully adjustable front/rear and up/down seat.

#### Steering

Steering type	4 wheel steer hydrostatic (2WS, 4WS, Crab)
Power steering	Hydrostatic
Turning circle - outer front tire clearance	11,700 mm (38.4 ft)
Turning circle - outer bucket clearance	11,240 mm (36.9 ft)

Dealer Copy -- Not for Resale

## TECHNICAL PROPERTIES (CONT'D)

### B780 Specifications (Cont'd)

#### Capacities

	MAXIMUM CAPACITY	SERVICE CAPACITY
Engine oil (with filters)	8.4 l (8.9 qt)	8.0 l (8.5 qt)
Cooling system	25,0 l (6.6 U.S. gal)	25,0 l (6.6 U.S. gal)
Fuel tank	140,0 l (37 U.S. gal)	140,0 l (37 U.S. gal)
Hydraulic tank	75,0 l (19.8 U.S. gal)	90,0 l (23.8 U.S. gal)
Hydraulic system	130,0 l (34.3 U.S. gal)	130,0 l (34.3 U.S. gal)
Transmission	19,0 l (5.0 U.S. gal)	18,0 l (4.8 U.S. gal)
Axle oil		
Front	11,5 l (3.0 U.S. gal)	7,0 l (7.4 qt)
Rear	16,0 l (4.2 U.S. gal)	9,0 - 10 l (2.4 - 2.6 U.S. gal)
Brake oil	0,4 l (0.42 qt)	0,4 l (0.42 qt)

#### Weights

Operating Weight	8700 kg (19180 lb)
------------------	--------------------

Dealer Copy -- Not for Resale



**Suggest:**

**If the above button click is invalid.**

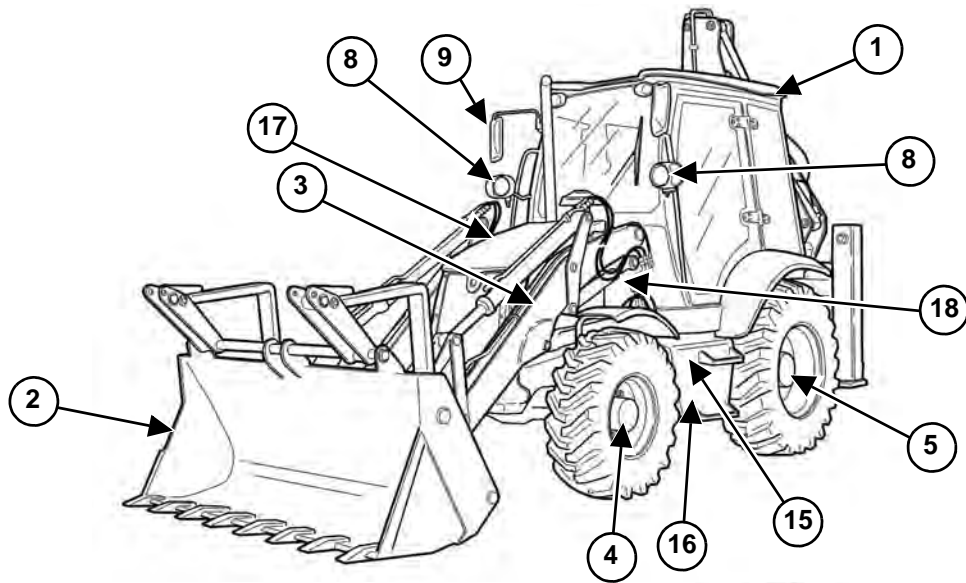
**Please download this document**

**first, and then click the above link**

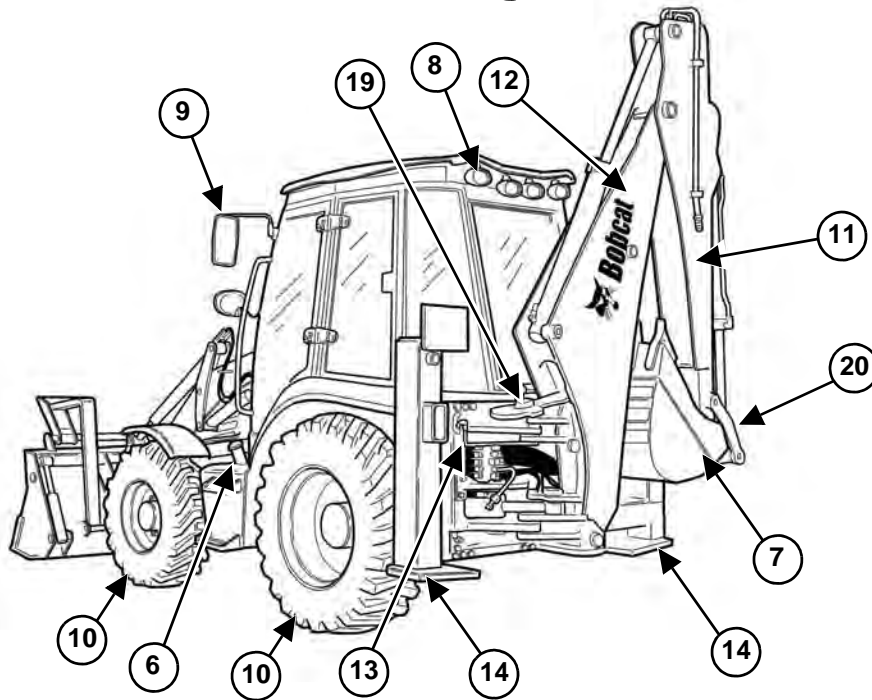
**to download the complete manual.**

**Thank you so much for reading**

## MAIN COMPONENTS



NA9989



NA9990

1	OPERATOR'S CAB (WITH ROPS / FOPS) [A]	11	BACKHOE ARM
2	LOADER BUCKET	12	BACKHOE BOOM
3	LIFT ARM	13	BACKHOE ATTACHMENT SIDESHIFT CARRIAGE
4	FRONT AXLE	14	STABILIZERS
5	REAR AXLE	15	HYDRAULIC OIL TANK
6	FUEL TANK	16	BATTERY BOX
7	BACKHOE BUCKET [B]	17	ENGINE BONNET
8	WORK LIGHTS	18	APPROVED LIFT ARM SUPPORT DEVICE
9	MIRRORS	19	BOOM LOCKOUT
10	TIRES	20	BUCKET LINK

[A] - Roll Over Protective Structure (ROPS) per ISO 3471 and Falling Over Protective Structure (FOPS) per ISO 3449, Level II.

[B] - Several different buckets and other attachments are available for the Bobcat backhoe loader.

**<https://www.ebooklibonline.com>**

Hello dear friend!

Thank you very much for reading.

Enter the link into your browser.

The full manual is available for immediate download.

**<https://www.ebooklibonline.com>**