

SV208
SV210
SV212
SV216
Tier 3
Vibratory Roller

SERVICE MANUAL

Part number 47688018
2nd edition English
June 2014
Replaces part number 87480985NA

CASE
CONSTRUCTION

Contents

INTRODUCTION

Engine.....	10
[10.001] Engine and crankcase	10.1
[10.400] Engine cooling system	10.2
Power coupling.....	19
[19.110] Flywheel damper	19.1
Hydrostatic drive.....	29
[29.218] Pump and motor components.....	29.1
[29.202] Hydrostatic transmission	29.2
Brakes and controls	33
[33.110] Parking brake or parking lock	33.1
Hydraulic systems.....	35
[35.000] Hydraulic systems.....	35.1
[35.300] Reservoir, cooler, and filters.....	35.2
[35.995] Compaction/vibration hydraulic system	35.3
Frames and ballasting	39
[39.100] Frame	39.1
[39.500] Vibratory roller.....	39.2
Steering.....	41
[41.216] Cylinders	41.1
Wheels	44
[44.520] Rear wheels.....	44.1
[44.160] Compaction drums	44.2
Cab climate control	50
[50.200] Air conditioning	50.1

Electrical systems	55
[55.011] Fuel tank system	55.1
[55.036] Hydraulic system control	55.2
[55.100] Harnesses and connectors.....	55.3
[55.302] Battery.....	55.4
[55.512] Cab controls.....	55.5
[55.408] Warning indicators, alarms, and instruments	55.6
[55.DTC] FAULT CODES.....	55.7

<https://www.ebooklibonline.com>

Hello dear friend!

Thank you very much for reading.

Enter the link into your browser.

The full manual is available for immediate download.

<https://www.ebooklibonline.com>



INTRODUCTION

Foreword - Important notice regarding equipment servicing

All repair and maintenance work listed in this manual must be carried out only by qualified dealership personnel, strictly complying with the instructions given, and using, whenever possible, the special tools.

Anyone who performs repair and maintenance operations without complying with the procedures provided herein shall be responsible for any subsequent damages.

The manufacturer and all the organizations of its distribution chain, including - without limitation - national, regional, or local dealers, reject any responsibility for damages caused by parts and/or components not approved by the manufacturer, including those used for the servicing or repair of the product manufactured or marketed by the manufacturer. In any case, no warranty is given or attributed on the product manufactured or marketed by the manufacturer in case of damages caused by parts and/or components not approved by the manufacturer.

The information in this manual is up-to-date at the date of the publication. It is the policy of the manufacturer for continuous improvement. Some information could not be updated due to modifications of a technical or commercial type, or changes to the laws and regulations of different countries.

In case of questions, refer to your CASE CONSTRUCTION Sales and Service Networks.

Safety rules


Personal safety





This is the safety alert symbol. It is used to alert you to potential personal injury hazards. Obey all safety messages that follow this symbol to avoid possible death or injury.

Throughout this manual you will find the signal words DANGER, WARNING, and CAUTION followed by special instructions. These precautions are intended for the personal safety of you and those working with you.

Read and understand all the safety messages in this manual before you operate or service the machine.

 DANGER indicates a hazardous situation that, if not avoided, will result in death or serious injury.

 WARNING indicates a hazardous situation that, if not avoided, could result in death or serious injury.

 CAUTION indicates a hazardous situation that, if not avoided, could result in minor or moderate injury.

FAILURE TO FOLLOW DANGER, WARNING, AND CAUTION MESSAGES COULD RESULT IN DEATH OR SERIOUS INJURY.

Machine safety

NOTICE: Notice indicates a situation that, if not avoided, could result in machine or property damage.

Throughout this manual you will find the signal word Notice followed by special instructions to prevent machine or property damage. The word Notice is used to address practices not related to personal safety.

Information

NOTE: Note indicates additional information that clarifies steps, procedures, or other information in this manual.

Throughout this manual you will find the word Note followed by additional information about a step, procedure, or other information in the manual. The word Note is not intended to address personal safety or property damage.

Safety rules - Personal safety

Carefully study these precautions, and those included in the external attachment operators manual, and insist that they be followed by those working with and for you.

1. Thoroughly read and understand this manual and the attachment Operator's Manual before operating this or any other equipment.
2. Be sure all people and pets are clear of the machine before starting. Sound the horn, if equipped, three times before starting engine.
3. Only the operator should be on the machine when in operation. Never allow anyone to climb on to the machine while it is in motion. If the machine is equipped with an Instructors Seat, this must only be used for training purposes. Passengers must not be allowed to use the Instructors Seat.
4. Keep all shields in place. Never work around the machine or any of the attachments while wearing loose clothing that might catch on moving parts.
5. Observe the following precautions whenever lubricating the machine or making adjustments.
 - Disengage all clutching levers or switches.
 - Lower the attachment, if equipped, to the ground or raise the attachment completely and engage the cylinder safety locks. Completing these actions will prevent the attachment from lowering unexpectedly.
 - Engage the parking brake.
 - Shut off the engine and remove the key.
 - Wait for all machine movement to stop before leaving the operators platform.
6. Always keep the machine in gear while travelling downhill.
7. The machine should always be equipped with sufficient front or rear axle weight for safe operation.
8. Under some field conditions, more weight may be required at the front or rear axle for adequate stability. This is especially important when operating in hilly conditions or/when using heavy attachments.
9. Always lower the attachment, shut off the engine, set the parking brake, engage the transmission gears, remove the key and wait for all machine movement to stop before leaving the operators platform.
10. If the attachment or machine should become obstructed or plugged; set the parking brake, shut off the engine and remove the key, engage the transmission gears, wait for all machine or attachment motion to come to a stop, before leaving the operators platform to removing the obstruction or plug.
11. Never disconnect or make any adjustments to the hydraulic system unless the machine and/or the attachment is lowered to the ground or the safety lock(s) is in the engaged position.
12. Use of the flashing lights is highly recommended when operating on a public road.
13. When transporting on a road or highway, use accessory lights and devices for adequate warning to the operators of other vehicles. In this regard, check local government regulations. Various safety lights and devices are available from your CASE CONSTRUCTION dealer.
14. Practice safety 365 days a year.
15. Keep all your equipment in safe operating condition.
16. Keep all guards and safety devices in place.
17. Always set the parking brake, shut off the engine and remove the key, engage the transmission gears, wait for all machine or attachment motion to come to a stop, before leaving the operators platform to service the machine and attachment.
18. Remember: A careful operator is the best insurance against an accident.
19. Extreme care should be taken in keeping hands and clothing away from moving parts.

Safety rules - Ecology and the environment

Soil, air, and water are vital factors of agriculture and life in general. When legislation does not yet rule the treatment of some of the substances required by advanced technology, sound judgment should govern the use and disposal of products of a chemical and petrochemical nature.

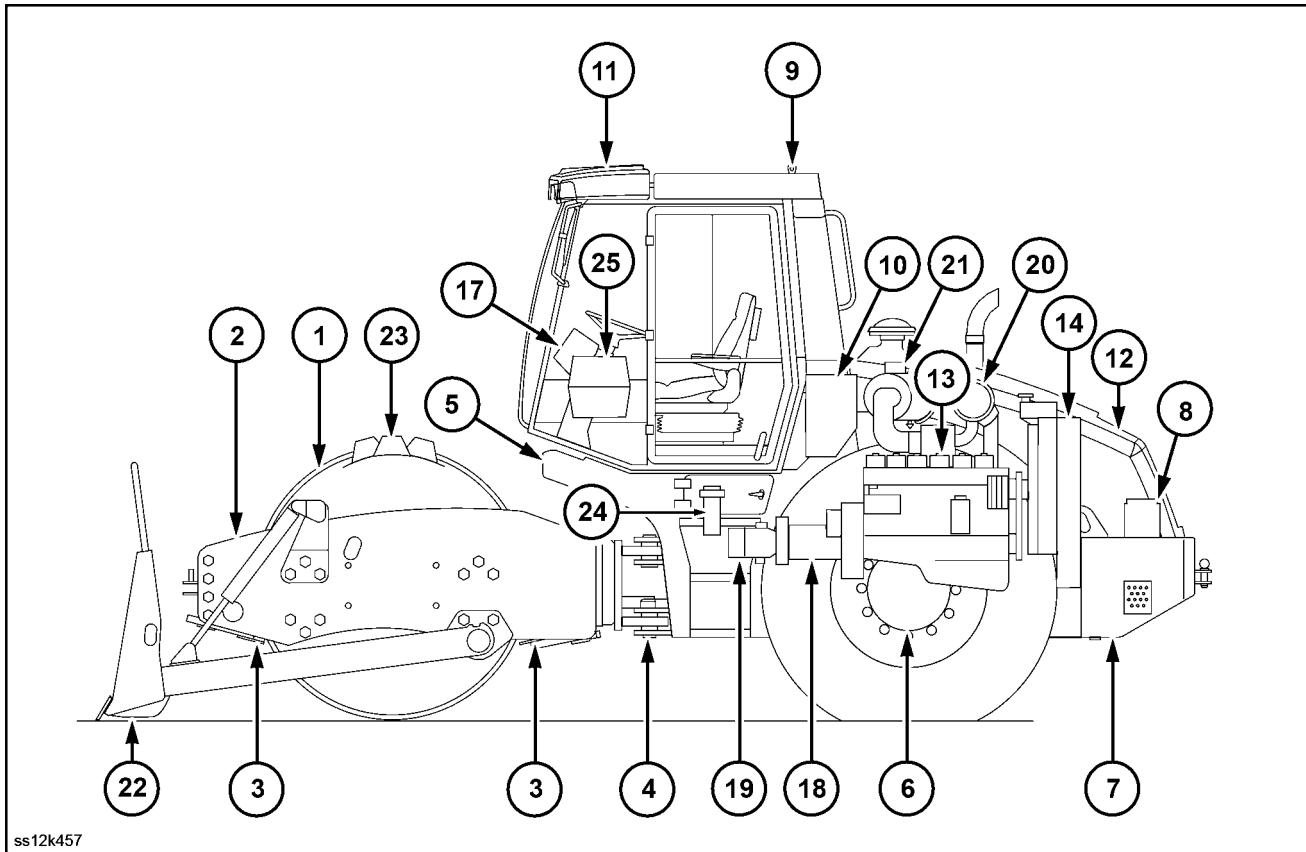
NOTE: *The following are recommendations that may be of assistance:*

- Become acquainted with and ensure that you understand the relative legislation applicable to your country.
- Where no legislation exists, obtain information from suppliers of oils, filters, batteries, fuels, antifreeze, cleaning agents, etc., with regard to their effect on man and nature and how to safely store, use, and dispose of these substances.
- Agricultural consultants will, in many cases, be able to help you as well.

Helpful hints

- Avoid filling tanks using cans or inappropriate pressurized fuel delivery systems that may cause considerable spillage.
- In general, avoid skin contact with all fuels, oils, acids, solvents, etc. Most of them contain substances that may be harmful to your health.
- Modern oils contain additives. Do not burn contaminated fuels and or waste oils in ordinary heating systems.
- Avoid spillage when draining off used engine coolant mixtures, engine, gearbox and hydraulic oils, brake fluids, etc. Do not mix drained brake fluids or fuels with lubricants. Store them safely until they can be disposed of in a proper way to comply with local legislation and available resources.
- Do not allow coolant mixtures to get into the soil. Collect and dispose of coolant mixtures properly.
- Do not open the air-conditioning system yourself. It contains gases that should not be released into the atmosphere. Your CASE CONSTRUCTION dealer or air conditioning specialist has a special extractor for this purpose and will have to recharge the system properly.
- Repair any leaks or defects in the engine cooling or hydraulic system immediately.
- Do not increase the pressure in a pressurized circuit as this may lead to a component failure.
- Protect hoses during welding as penetrating weld splatter may burn a hole or weaken them, allowing the loss of oils, coolant, etc.

Part identification



SS12K457 1

Item	Designation	Item	Designation
1	Vibratory drum	13	Engine
2	Drum frame	14	Radiator - Engine air cooler for intake manifold - Hydraulics cooler
3	Scraper	17	Instrument panel
4	Joint	18	Drive motor
5	Machine frame	19	Compaction (vibration) motor
6	Axle	20	Exhaust muffler
7	Fuel tank	21	Air filter
8	Batteries	22	Dozer blade (option)
9	Roll Over Protective System (ROPS) frame	23	Pad foot segments (option)
10	Hydraulic tank	24	Hydraulic oil pressure filter
11	Cab or Canopy	25	Air conditioner
12	Hood		



SERVICE MANUAL

Engine

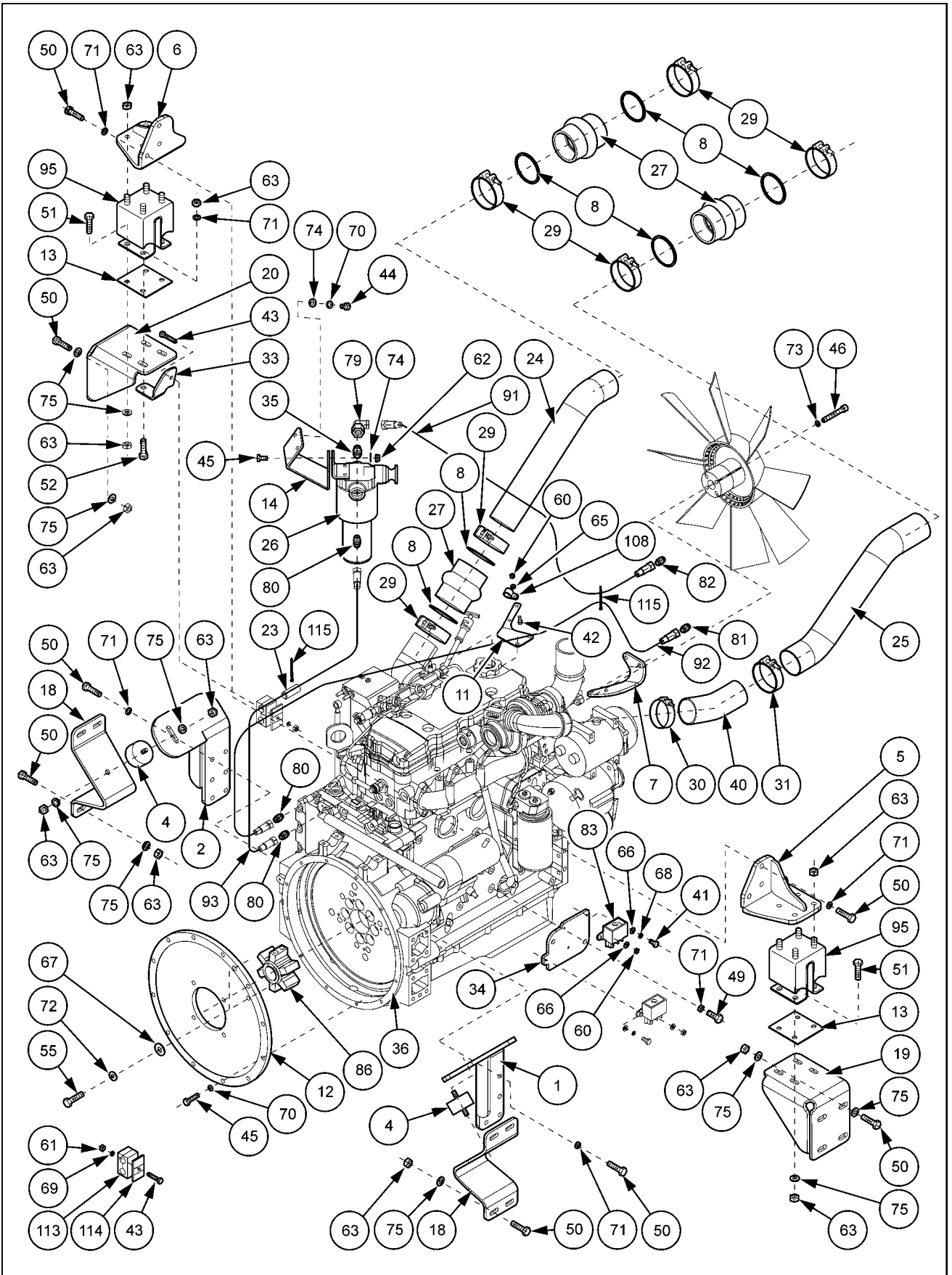
SV208

SV210

SV212

SV216

Engine - Engine and crankcase

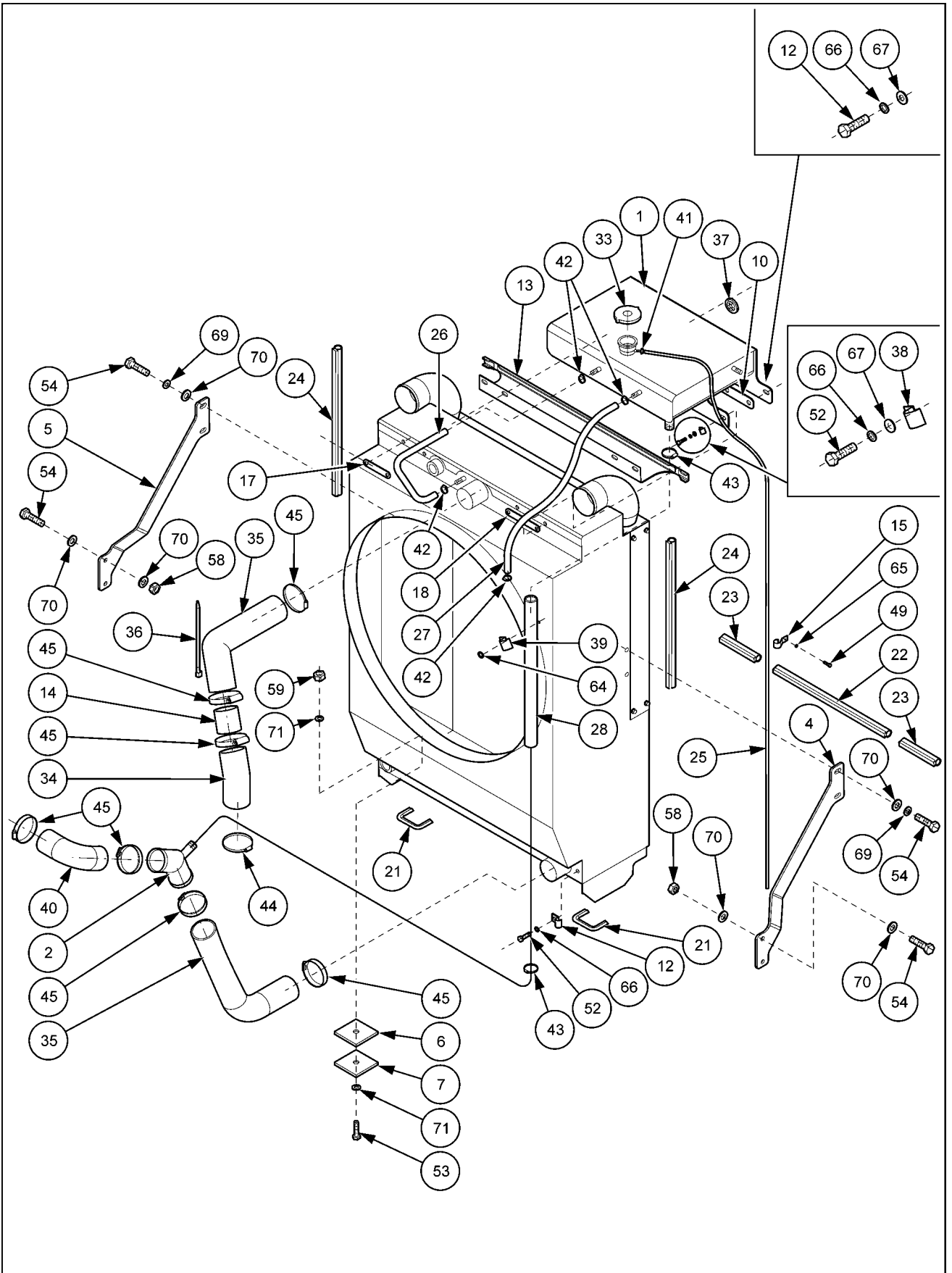


SS13A731 1

Engine

Engine table

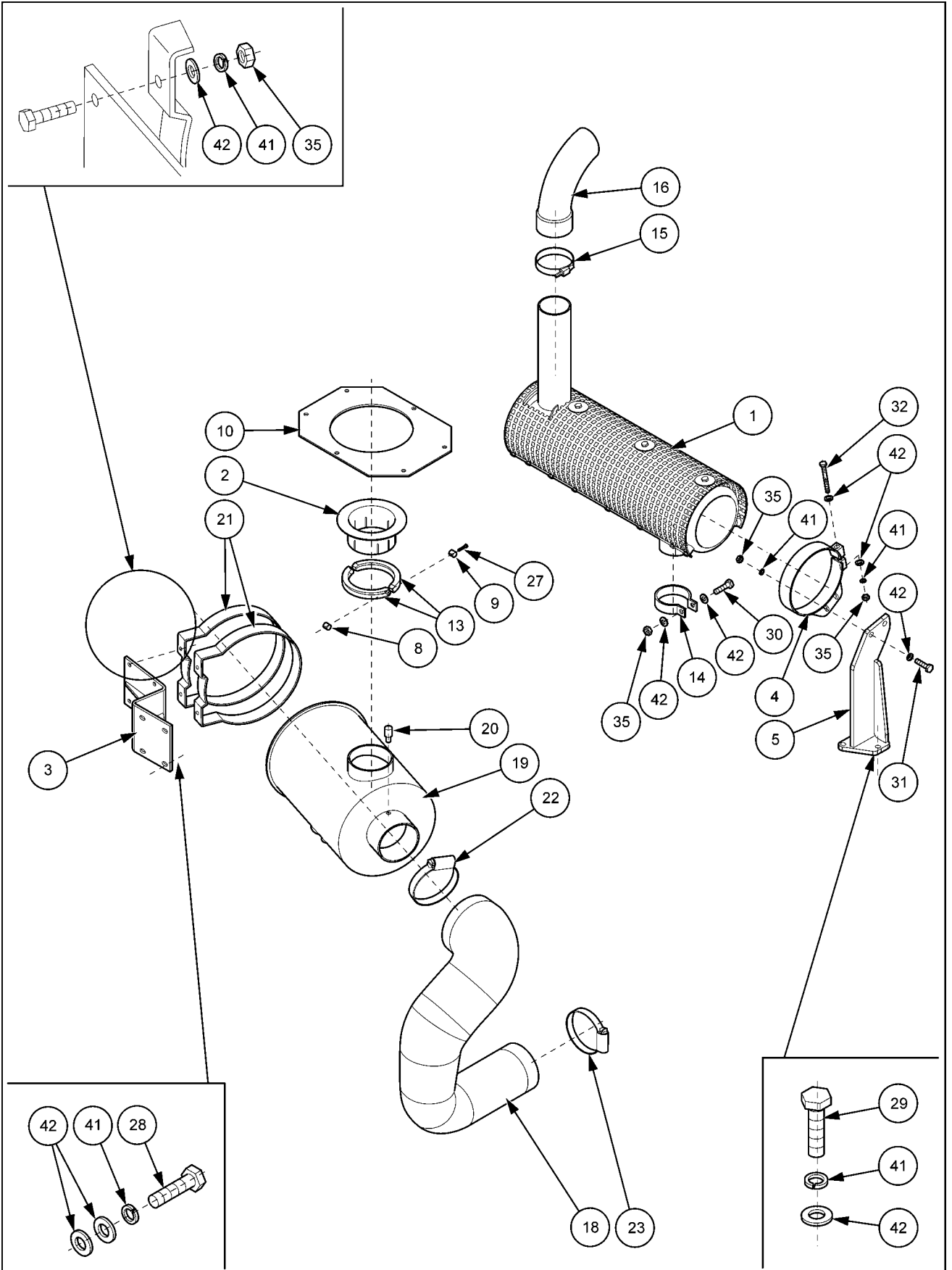
Position	Designation	Position	Designation
1	Left bracket	50	Bolt
2	Right bracket	51	Bolt
4	Rubber mounting	52	Bolt
5	Left bracket	55	Bolt
6	Right bracket	60	Nut
7	Holder	61	Nut
8	Ring	62	Nut
11	Holder	63	Nut
12	Flange	65	Washer
13	Washer	66	Washer
14	Filter holder	67	Washer
18	Front bracket	68	Spring washer
19	Lower bracket	69	Spring washer
20	Lower bracket	70	Washer
23	Insert	71	Washer
24	Pipe	72	Washer
25	Pipe	73	Washer
26	Fuel filter	74	Washer
27	Coupling	75	Washer
29	Clamp of hose	79	Coupling
30	Clamp of hose	80	Connecting pipe
31	Clamp of hose	81	Connecting pipe
33	Holder	82	Connecting pipe
34	Holder	83	Contacto
35	Connecting pipe	86	Hydraulic clutch
36	Cummins engine	91	Hose
40	Elbow	92	Hose
41	Bolt	93	Hose
42	Bolt	95	Silent block
43	Bolt	108	Clamp
44	Bolt	113	Sleeve
45	Bolt	114	Cover
46	Bolt	115	Link tape
49	Bolt		



SS13A735 2
Cooling system

Cooling system table

Position	Designation	Position	Designation
1	Equalizer tank	36	Link tape
2	Lower pipeline	37	Oil level gauge
4	Holder	38	Clamp
5	Holder	39	Clamp
6	Spacing ring	40	Rubber elbow
7	Spacing ring	41	Clamp
10	Spacing ring	42	Clamp
13	Steel plate	43	Clamp of hose
14	Piping	44	Clamp of hose
15	Clamp	45	Clamp of hose
17	Spacing ring	49	Bolt
18	Spacing ring	52	Bolt
21	Strap	53	Bolt
22	Packing	54	Bolt
23	Packing	58	Nut
24	Side seal	59	Nut
25	Hose	64	Washer for wood
26	Deaerating hose	65	Spring washer
27	Deaerating hose	66	Spring washer
28	Hose	67	Washer
32	Cooler	69	Washer
33	Cover	70	Washer
34	Rubber elbow	71	Washer
35	Rubber elbow		



SS13A736 3

Intake and exhaust

Intake and exhaust table

Position	Designation	Position	Designation
1	Exhaust	20	Indicator
2	Reducing piece	21	Sleeve
3	Filter holder	22	Clamp
4	Sleeve	23	Clamp
5	Support	27	Bolt
8	Nut	28	Bolt
9	Cylinder	29	Bolt
10	Steel plate	30	Bolt
13	Sleeve	31	Bolt
14	Clamp	32	Bolt
15	Sleeve	35	Nut
16	Exhaust adapter	41	Washer
18	Elbow	42	Washer
19	Air cleaner		

Engine - Service instruction

NOTE: *All internal engine repairs are to be performed by a licensed engine dealer. Please contact your local engine dealer for details.*



Suggest:

If the above button click is invalid.

Please download this document

first, and then click the above link

to download the complete manual.

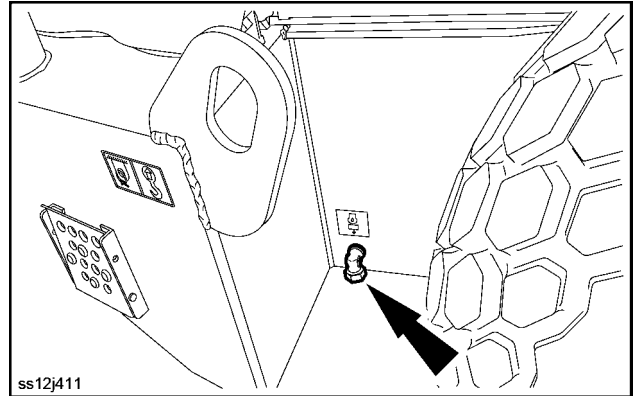
Thank you so much for reading

Engine - Drain fluid

SV208	
SV210	

NOTICE: Collect drained oil and do not let it soak into the ground.

1. Remove the drain plug and let oil pour out into an **8 l (2.1 US gal)** container.
2. Reinstall the plug.



SS12J411 1

<https://www.ebooklibonline.com>

Hello dear friend!

Thank you very much for reading.

Enter the link into your browser.

The full manual is available for immediate download.

<https://www.ebooklibonline.com>