

Magnum™ 250
Magnum™ 280
Magnum™ 310
Magnum™ 340
Magnum™ 310 Rowtrac™
Magnum™ 340 Rowtrac™
Powershift Transmission (PST)
Tractor

PIN ZGRF05001 and above; PIN ZHRF01001 and above

SERVICE MANUAL

Part number 48115477

1st edition English

April 2017



Link Product / Engine

Product	Market Product	Engine
Magnum™ 250 PST TIER 2 [ZGRF05001 -]	Latin America	F2CFA613G*E024
Magnum™ 250 PST TIER 2 [ZGRF05001 -]	Middle East Africa	F2CFA613G*E024
Magnum™ 250 PST TIER 2 [ZGRF05001 -]	Asia Pacific	F2CFA613G*E024
Magnum™ 2654 PST TIER 3 [ZGRF05001 -]	Asia Pacific	F2CFP614E*H003
Magnum™ 280 PST TIER 2 [ZGRF05001 -]	Middle East Africa	F2CFA613D*E024
Magnum™ 280 PST TIER 2 [ZGRF05001 -]	Latin America	F2CFA613D*E024
Magnum™ 280 PST TIER 2 [ZGRF05001 -]	Asia Pacific	F2CFA613D*E024
Magnum™ 310 PST TIER 2 [ZGRF05001 -]	Asia Pacific	F2CFA613B*E023
Magnum™ 310 PST TIER 2 [ZGRF05001 -]	Latin America	F2CFA613B*E023
Magnum™ 310 PST TIER 2 [ZGRF05001 -]	Middle East Africa	F2CFA613B*E023
Magnum™ 3154 PST TIER 3 [ZGRF05001 -]	Asia Pacific	F2CFP614C*H003
Magnum™ 340 PST TIER 2 [ZGRF05001 -]	Asia Pacific	F2CFA614D*E021
Magnum™ 340 PST TIER 2 [ZGRF05001 -]	Latin America	F2CFA614D*E021
Magnum™ 340 PST TIER 2 [ZGRF05001 -]	Middle East Africa	F2CFA614D*E021
Magnum™ 310 Rowtrac™ PST TIER 2 [ZGRF05001 -]	Middle East Africa	F2CFA613B*E023
Magnum™ 310 Rowtrac™ PST TIER 2 [ZGRF05001 -]	Latin America	F2CFA613B*E023
Magnum™ 310 Rowtrac™ PST TIER 2 [ZGRF05001 -]	Asia Pacific	F2CFA613B*E023
Magnum™ 340 Rowtrac™ PST TIER 2 [ZGRF05001 -]	Asia Pacific	F2CFA614D*E021
Magnum™ 340 Rowtrac™ PST TIER 2 [ZGRF05001 -]	Latin America	F2CFA614D*E021
Magnum™ 340 Rowtrac™ PST TIER 2 [ZGRF05001 -]	Middle East Africa	F2CFA614D*E021

Contents

INTRODUCTION

Engine	10
[10.001] Engine and crankcase	10.1
[10.101] Cylinder heads	10.2
[10.202] Air cleaners and lines	10.3
[10.206] Fuel filters	10.4
[10.216] Fuel tanks	10.5
[10.218] Fuel injection system.....	10.6
[10.254] Intake and exhaust manifolds and muffler	10.7
[10.304] Engine lubrication system.....	10.8
[10.310] Aftercooler.....	10.9
[10.400] Engine cooling system	10.10
[10.414] Fan and drive	10.11
[10.500] Selective Catalytic Reduction (SCR) exhaust treatment.....	10.12
Power coupling	19
[19.100] Drive shaft.....	19.1
[19.110] Flywheel damper	19.2
[19.120] Drive shaft shield assembly.....	19.3
Transmission	21
[21.105] Powershift transmission hydraulic components.....	21.1
[21.113] Powershift transmission	21.2
[21.135] Powershift transmission external controls.....	21.3
[21.155] Powershift transmission internal components.....	21.4
[21.200] Dropbox	21.5
[21.900] Hydraulic pump drive.....	21.6
Four-Wheel Drive (4WD) system	23

<https://www.ebooklibonline.com>

Hello dear friend!

Thank you very much for reading.

Enter the link into your browser.

The full manual is available for immediate download.

<https://www.ebooklibonline.com>

[23.202] Electro-hydraulic control	23.1
[23.314] Drive shaft.....	23.2
Front axle system	25
[25.100] Powered front axle	25.1
[25.102] Front bevel gear set and differential	25.2
[25.108] Final drive hub, steering knuckles, and shafts	25.3
[25.122] Axle suspension control.....	25.4
Rear axle system.....	27
[27.100] Powered rear axle.....	27.1
[27.106] Rear bevel gear set and differential.....	27.2
[27.120] Planetary and final drives	27.3
[27.610] Rear axle track yoke assembly	27.4
Power Take-Off (PTO).....	31
[31.104] Rear electro-hydraulic control.....	31.1
[31.110] One-speed rear Power Take-Off (PTO)	31.2
[31.114] Two-speed rear Power Take-Off (PTO)	31.3
[31.146] Front Power Take-Off (PTO)	31.4
Brakes and controls	33
[33.110] Parking brake or parking lock	33.1
[33.202] Hydraulic service brakes	33.2
[33.220] Trailer brake hydraulic control.....	33.3
[33.224] Trailer brake pneumatic control	33.4
Hydraulic systems.....	35
[35.000] Hydraulic systems.....	35.1
[35.102] Pump control valves.....	35.2
[35.106] Variable displacement pump	35.3
[35.114] Three-point hitch control valve	35.4
[35.124] Three-point hitch hydraulic adjustment	35.5

[35.204] Remote control valves	35.6
[35.300] Reservoir, cooler, and filters.....	35.7
[35.304] Combination pump units	35.8
Hitches, drawbars, and implement couplings.....	37
[37.110] Rear three-point hitch	37.1
[37.162] Front hitch	37.2
Frames and ballasting	39
[39.100] Frame	39.1
Steering.....	41
[41.101] Steering control	41.1
[41.200] Hydraulic control components.....	41.2
[41.206] Pump	41.3
[41.432] Autoguidance steering	41.4
Wheels	44
[44.520] Rear wheels.....	44.1
Tracks and track suspension	48
[48.100] Tracks	48.1
[48.130] Track frame and driving wheels.....	48.2
[48.134] Track tension units	48.3
[48.138] Track rollers	48.4
Cab climate control	50
[50.100] Heating	50.1
[50.200] Air conditioning.....	50.2
[50.300] Cab pressurizing system	50.3
Electrical systems	55
[55.000] Electrical system	55.1
[55.010] Fuel injection system.....	55.2

[55.012] Engine cooling system	55.3
[55.013] Engine oil system	55.4
[55.014] Engine intake and exhaust system.....	55.5
[55.015] Engine control system.....	55.6
[55.024] Transmission control system	55.7
[55.045] Front axle control system	55.8
[55.046] Rear axle control system.....	55.9
[55.047] Steering control system	55.10
[55.050] Heating, Ventilation, and Air-Conditioning (HVAC) control system.....	55.11
[55.051] Cab Heating, Ventilation, and Air-Conditioning (HVAC) controls.....	55.12
[55.100] Harnesses and connectors.....	55.13
[55.130] Rear three-point hitch electronic control system	55.14
[55.201] Engine starting system	55.15
[55.301] Alternator.....	55.16
[55.302] Battery.....	55.17
[55.408] Warning indicators, alarms, and instruments	55.18
[55.510] Cab or platform harnesses and connectors.....	55.19
[55.512] Cab controls.....	55.20
[55.513] Cab transmission controls.....	55.21
[55.518] Wiper and washer system.....	55.22
[55.640] Electronic modules	55.23
[55.DTC] FAULT CODES.....	55.24

Platform, cab, bodywork, and decals 90

[90.100] Engine hood and panels	90.1
[90.102] Engine shields, hood latches, and trims	90.2
[90.124] Pneumatically-adjusted operator seat.....	90.3
[90.150] Cab.....	90.4
[90.151] Cab interior.....	90.5

[90.160] Cab interior trim and panels..... 90.6



INTRODUCTION

Foreword - Important notice regarding equipment servicing

Magnum™ 250 PST TIER 2 [ZGRF05001 -]	APAC --- LA --- MEA
Magnum™ 280 PST TIER 2 [ZGRF05001 -]	APAC --- LA --- MEA
Magnum™ 310 PST TIER 2 [ZGRF05001 -]	APAC --- LA --- MEA
Magnum™ 310 Rowtrac™ PST TIER 2 [ZGRF05001 -]	APAC --- LA --- MEA
Magnum™ 340 PST TIER 2 [ZGRF05001 -]	APAC --- LA --- MEA
Magnum™ 340 Rowtrac™ PST TIER 2 [ZGRF05001 -]	APAC --- LA --- MEA

All repair and maintenance work listed in this manual must be carried out only by qualified dealership personnel, strictly complying with the instructions given, and using, whenever possible, the special tools.

Anyone who performs repair and maintenance operations without complying with the procedures provided herein shall be responsible for any subsequent damages.

The manufacturer and all the organizations of its distribution chain, including - without limitation - national, regional, or local dealers, reject any responsibility for damages caused by parts and/or components not approved by the manufacturer, including those used for the servicing or repair of the product manufactured or marketed by the manufacturer. In any case, no warranty is given or attributed on the product manufactured or marketed by the manufacturer in case of damages caused by parts and/or components not approved by the manufacturer.

The manufacturer reserves the right to make improvements in design and changes in specifications at any time without notice and without incurring any obligation to install them on units previously sold. Specifications, descriptions, and illustrative material herein are as accurate as known at time of publication but are subject to change without notice.

In case of questions, refer to your CASE IH Sales and Service Networks.

Safety rules

Magnum™ 250 PST TIER 2 [ZGRF05001 -]	APAC --- LA --- MEA
Magnum™ 280 PST TIER 2 [ZGRF05001 -]	APAC --- LA --- MEA
Magnum™ 310 PST TIER 2 [ZGRF05001 -]	APAC --- LA --- MEA
Magnum™ 310 Rowtrac™ PST TIER 2 [ZGRF05001 -]	APAC --- LA --- MEA
Magnum™ 340 PST TIER 2 [ZGRF05001 -]	APAC --- LA --- MEA
Magnum™ 340 Rowtrac™ PST TIER 2 [ZGRF05001 -]	APAC --- LA --- MEA


Personal safety





This is the safety alert symbol. It is used to alert you to potential personal injury hazards. Obey all safety messages that follow this symbol to avoid possible death or injury.

Throughout this manual you will find the signal words DANGER, WARNING, and CAUTION followed by special instructions. These precautions are intended for the personal safety of you and those working with you.

Read and understand all the safety messages in this manual before you operate or service the machine.

 DANGER indicates a hazardous situation that, if not avoided, will result in death or serious injury.

 WARNING indicates a hazardous situation that, if not avoided, could result in death or serious injury.

 CAUTION indicates a hazardous situation that, if not avoided, could result in minor or moderate injury.

FAILURE TO FOLLOW DANGER, WARNING, AND CAUTION MESSAGES COULD RESULT IN DEATH OR SERIOUS INJURY.

Machine safety

NOTICE: Notice indicates a situation that, if not avoided, could result in machine or property damage.

Throughout this manual you will find the signal word Notice followed by special instructions to prevent machine or property damage. The word Notice is used to address practices not related to personal safety.

Information

NOTE: Note indicates additional information that clarifies steps, procedures, or other information in this manual.

Throughout this manual you will find the word Note followed by additional information about a step, procedure, or other information in the manual. The word Note is not intended to address personal safety or property damage.

Safety rules - General maintenance safety

Magnum™ 250 PST TIER 2 [ZGRF05001 -]	APAC --- LA --- MEA
Magnum™ 280 PST TIER 2 [ZGRF05001 -]	APAC --- LA --- MEA
Magnum™ 310 PST TIER 2 [ZGRF05001 -]	APAC --- LA --- MEA
Magnum™ 310 Rowtrac™ PST TIER 2 [ZGRF05001 -]	APAC --- LA --- MEA
Magnum™ 340 PST TIER 2 [ZGRF05001 -]	APAC --- LA --- MEA
Magnum™ 340 Rowtrac™ PST TIER 2 [ZGRF05001 -]	APAC --- LA --- MEA

General maintenance safety

Keep the area used for servicing the machine clean and dry. Clean up spilled fluids.

Service the machine on a firm, level surface.

Install guards and shields after you service the machine.

Close all access doors and install all panels after servicing the machine.

Do not attempt to clean, lubricate, clear obstructions, or make adjustments to the machine while it is in motion or while the engine is running.

Always make sure that working area is clear of tools, parts, other persons and pets before you start operating the machine.

Unsupported hydraulic cylinders can lose pressure and drop the equipment, causing a crushing hazard. Do not leave equipment in a raised position while parked or during service, unless the equipment is securely supported.

Jack or lift the machine only at jack or lift points indicated in this manual.

Incorrect towing procedures can cause accidents. When you tow a disabled machine follow the procedure in this manual. Use only rigid tow bars.

Stop the engine, remove the key, and relieve pressure before you connect or disconnect fluid lines.

Stop the engine and remove the key before you connect or disconnect electrical connections.

Scalding can result from incorrect removal of coolant caps. Cooling systems operate under pressure. Hot coolant can spray out if you remove a cap while the system is hot. Allow the system to cool before you remove the cap. When you remove the cap, turn it slowly to allow pressure to escape before you completely remove the cap.

Replace damaged or worn tubes, hoses, electrical wiring, etc.

The engine, transmission, exhaust components, and hydraulic lines may become hot during operation. Take care when you service such components. Allow surfaces to cool before you handle or disconnect hot components. Wear protective equipment when appropriate.

When welding, follow the instructions in the manual. Always disconnect the battery before you weld on the machine. Always wash your hands after you handle battery components.



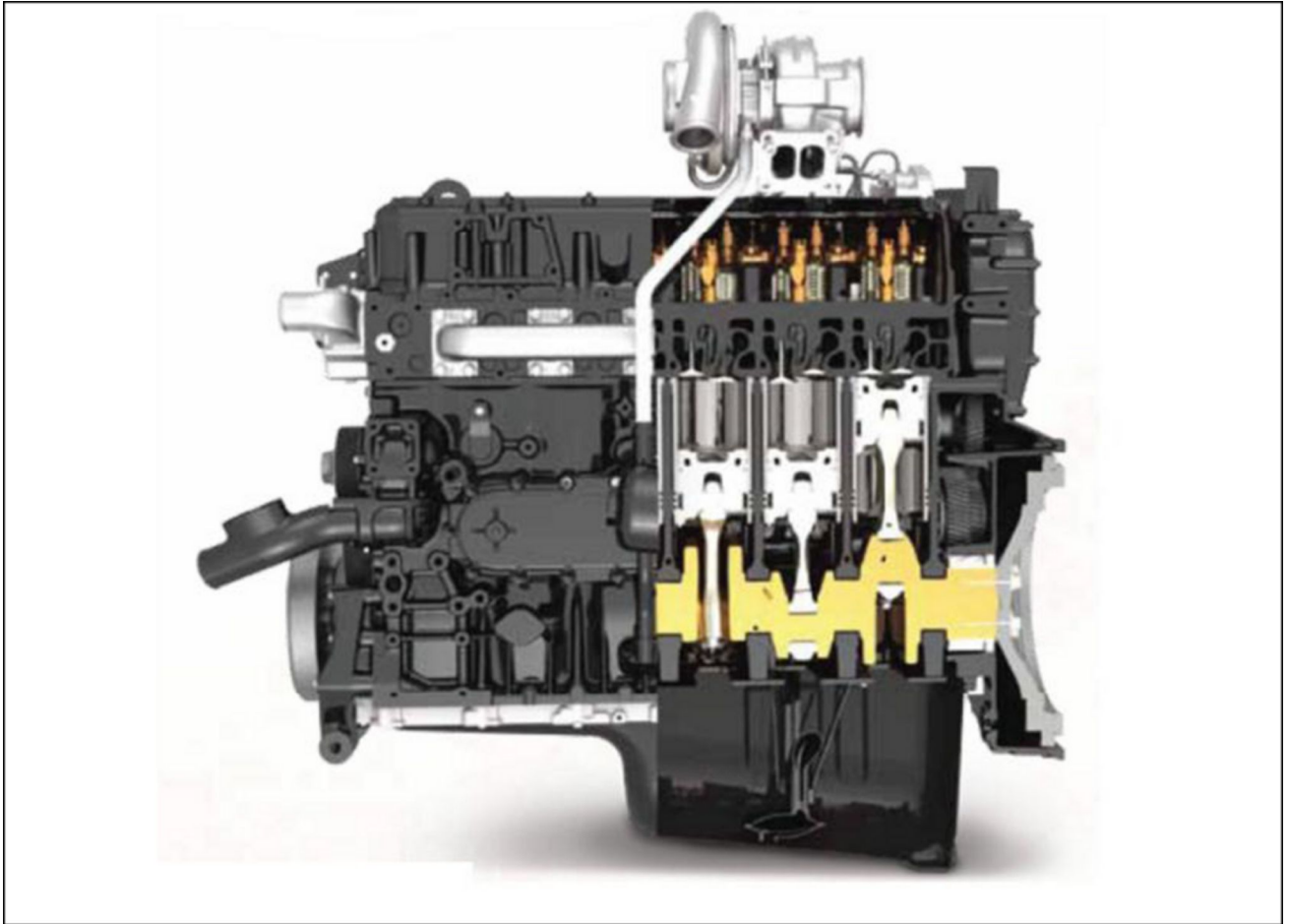
SERVICE MANUAL

Engine

Magnum™ 250 PST TIER 2 [ZGRF05001 -], Magnum™ 2654 PST TIER 3 [ZGRF05001 -], Magnum™ 280 PST TIER 2 [ZGRF05001 -], Magnum™ 310 PST TIER 2 [ZGRF05001 -], Magnum™ 310 Rowtrac™ PST TIER 2 [ZGRF05001 -], Magnum™ 3154 PST TIER 3 [ZGRF05001 -], Magnum™ 340 PST TIER 2 [ZGRF05001 -], Magnum™ 340 Rowtrac™ PST TIER 2 [ZGRF05001 -]

Engine - Overview

The Cursor® 9



RAIL15TR00417GA 1

The **Cursor® 9** is a state of the art engine developed by Fiat Powertrain Technologies (FPT) The **Cursor® 9** used in the **Magnum™** tractors has some significant internal and external differences from **Cursor® 9** engines used in other CNH products. There are procedures specific to the **Magnum™** engines that are different from the **Cursor® 9** used in other CNH applications. These changes were made to fit the engine into the **Magnum™** series frames without losing our featured visibility around the hood and chassis.

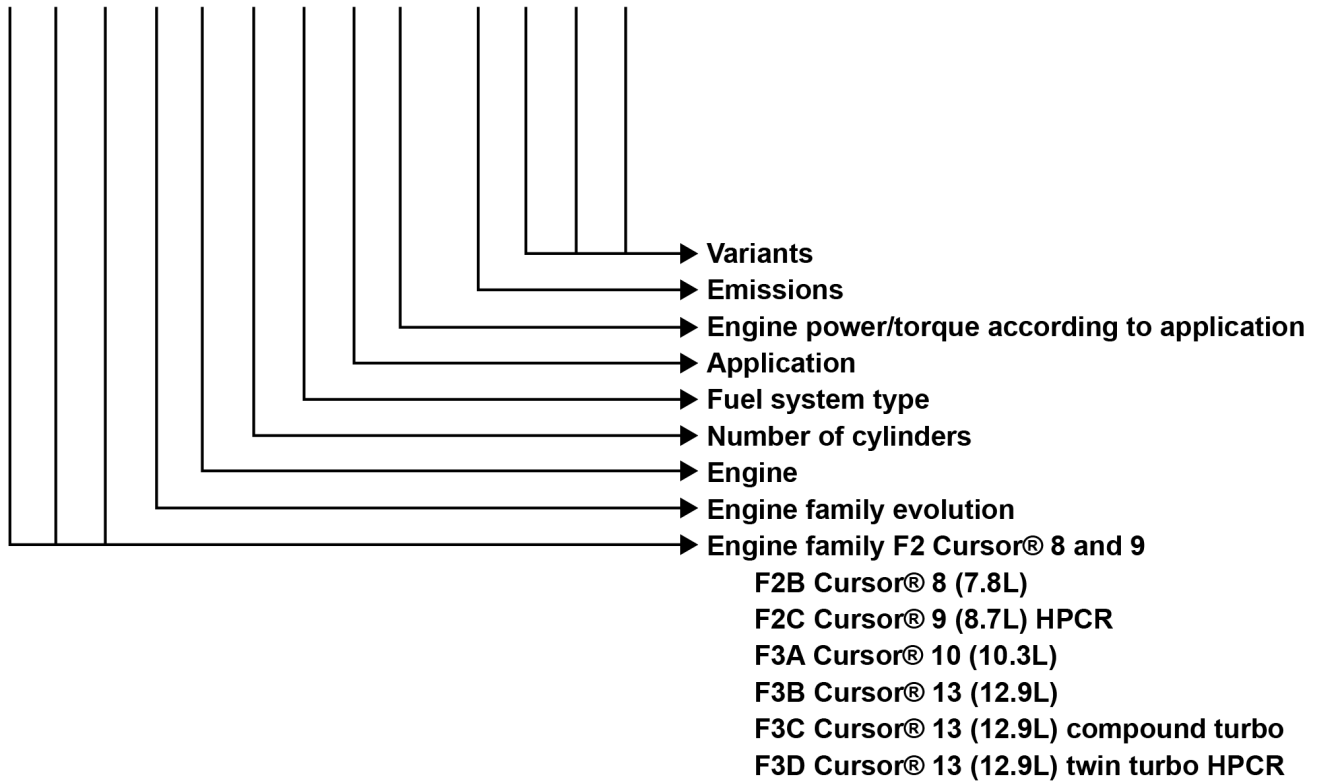
The **Cursor® 9** engine was introduced in the CNH combines in 2006 and migrated into the **Steiger®** series tractors. It has proven itself to be a consistent reliable performer. The introduction in the **Magnum™** series brings it to new heights with up to **275 kW (374 Hp)** (rated) and **316 kW (429 Hp)** in power boost mode.

- 6 cylinder, 24 valve, turbocharged and aftercooled
- Single overhead cam with roller rocker arms
- Wastegate turbo/Electronic Variable Geometry Turbocharger (EVGT)
- High pressure common rail fuel system
- Selective Catalytic Reduction (SCR) emissions control
- TIER 4B compliant without internal or external Exhaust Gas Recirculation (EGR)

FPT model number designation

NOTE: The FPT engine designation code has evolved over the years. This is the best current information and may not be applicable to previous FPT engines.

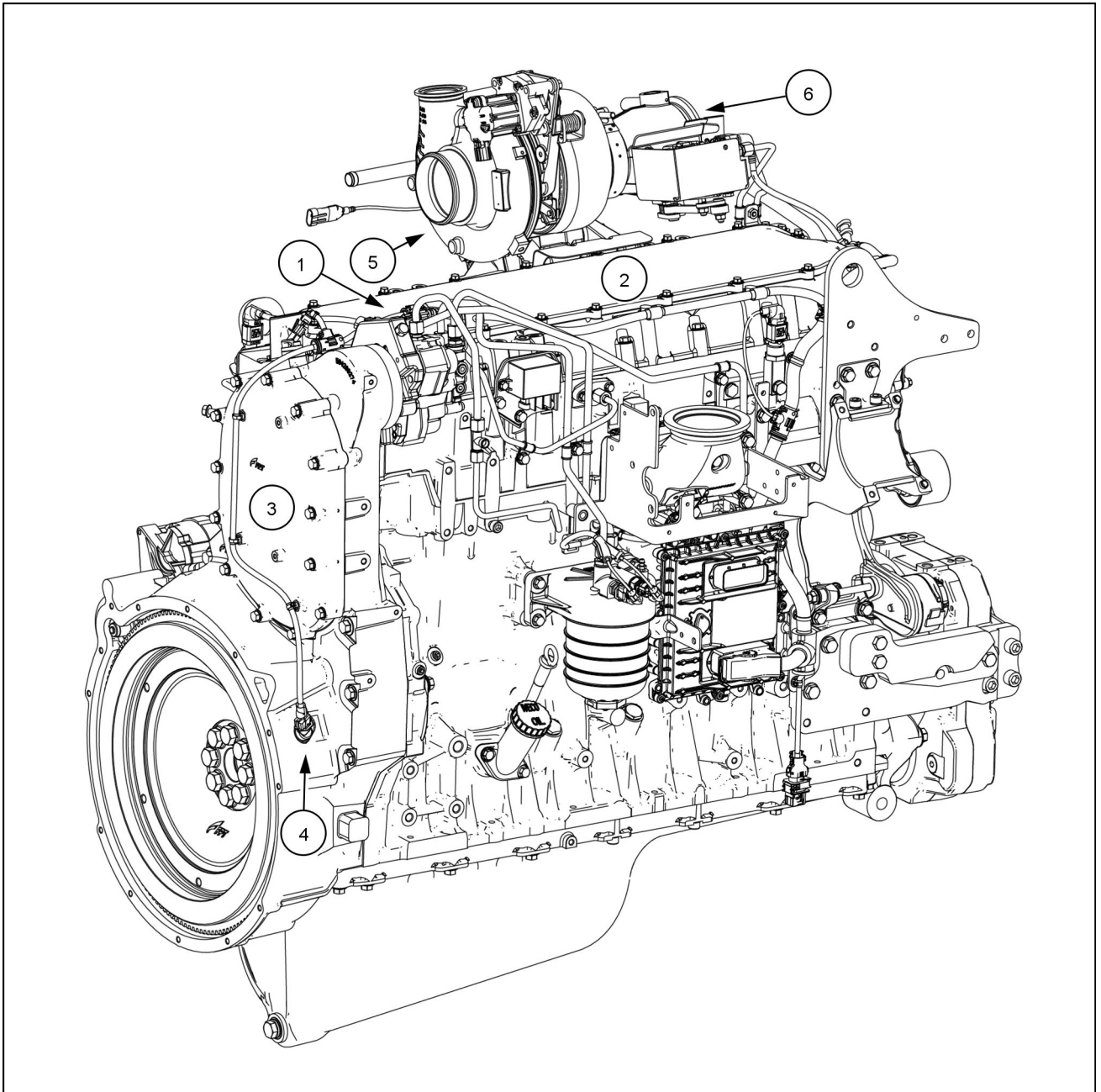
F 2 C F E 6 1 3 C * B 0 0 0



RAIL15TR01380GA 2

Visual external differences for Magnum™ tractor engines

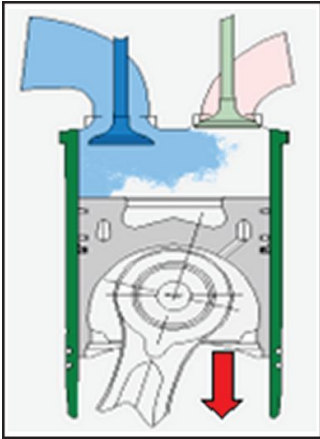
There are a few things that make the FPT **Cursor® 9** engine used in the **Magnum™** tractors visually and mechanically different from other **Cursor® 9** applications.



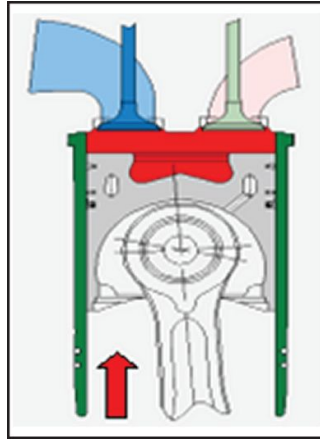
RAIL15TR00608GA 3

1. The fuel pump sits higher and closer to the center line of the engine.
2. A two piece valve cover assembly that allows for valve adjustment without removing the entire cover.
3. The rear cover is an oval shape where on other **Cursor® 9** engines it's round.
4. The flywheel speed sensor is located on the right side of the engine, others have on the left side of the engine.
5. The turbocharger is moved higher and toward the center line of the engine.
6. Exhaust flap for TIER 4B.

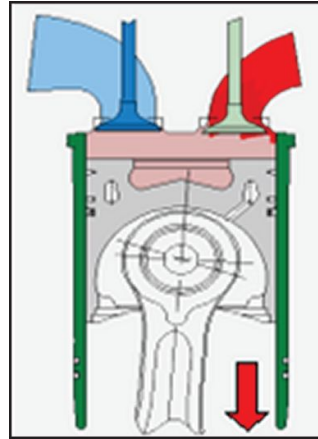
Exhaust brake



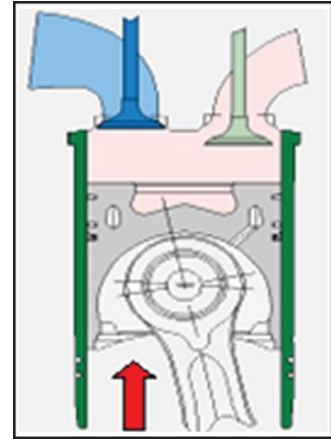
Admission phase:
Intake of fresh air.



Compression phase:
Energy is stored in the compressed air, braking effect increases with compression



Top dead center:
Exhaust valves open, compressed air is released, energy is blown out.



Exhaust phase:
Cylinder is empty, no energy exchange. Exhaust gases impact against the turbine, creating an additional braking effect.

All **Cursor®** engines are equipped with an advanced engine brake system: the Iveco Turbo Brake (IBT) system.

- Decompression engine brake
- Quick responding
- Integrated in the engine control
- Linked to cruise control
- Linked to EBS

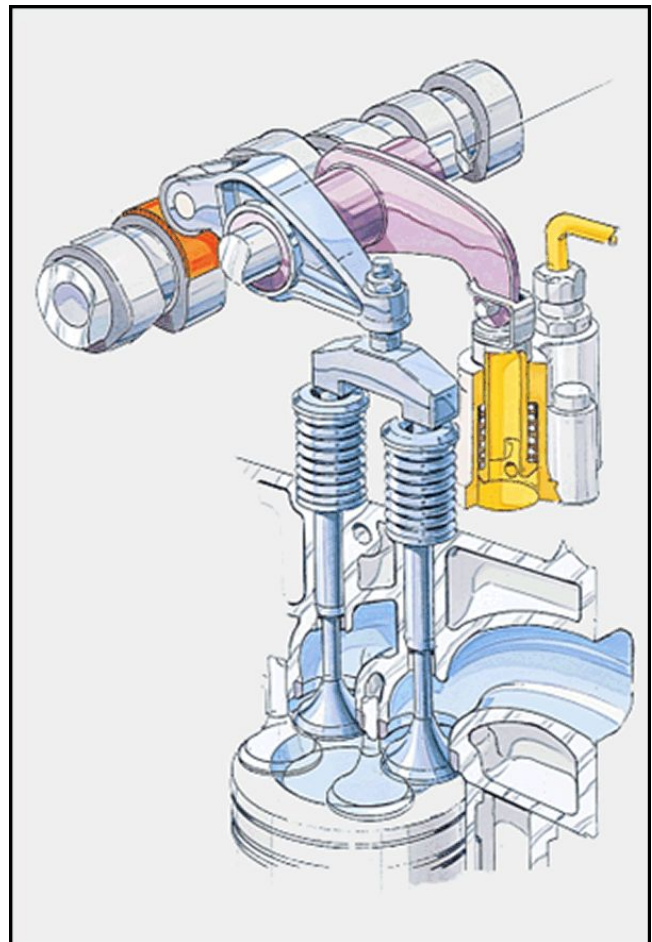
Advantage

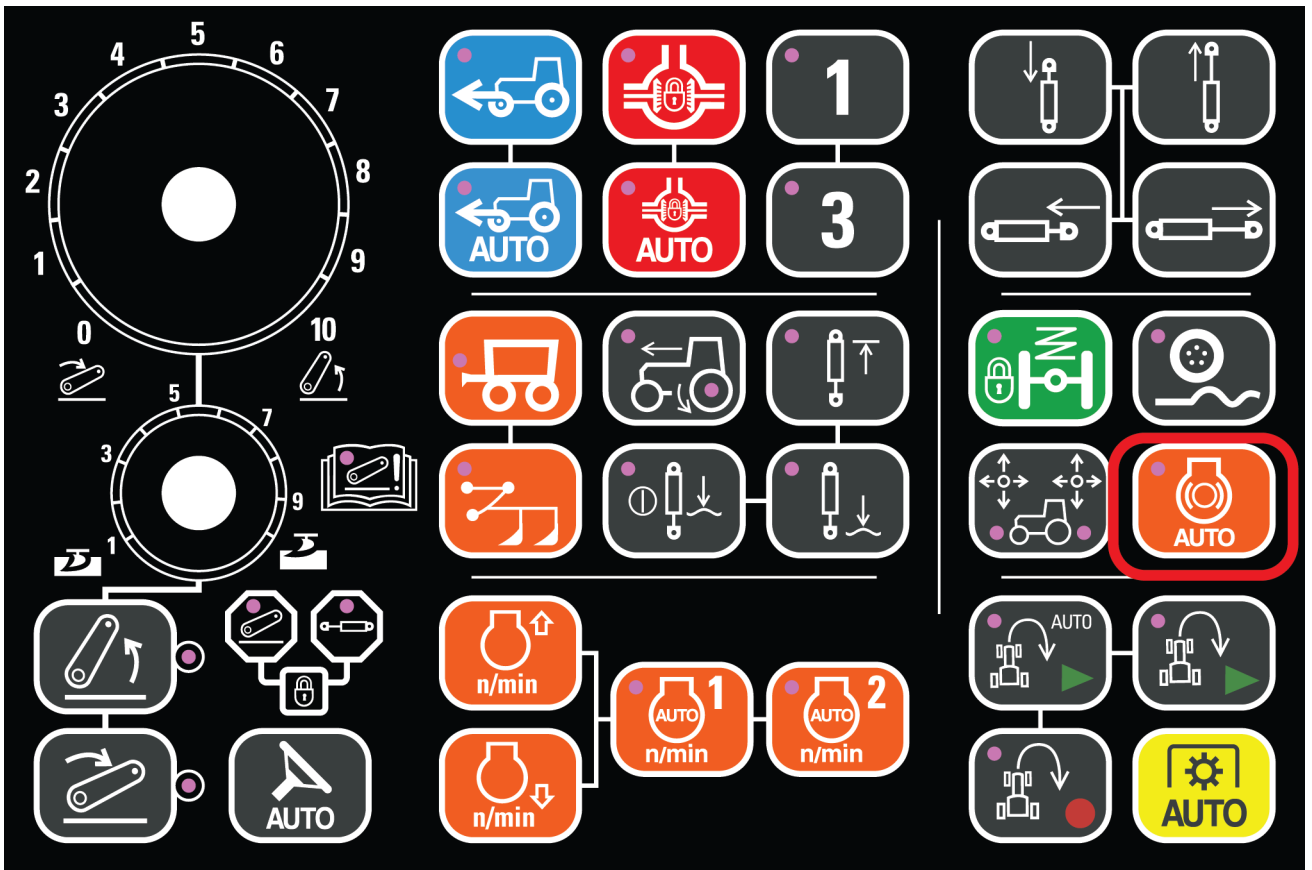
- Less brake pad wear
- Automatically engaged

Benefit

- Reduced operation cost
- Operator ease

The engine brake is controlled by the Tractor Control Unit (TCU). The Electronic Service Tool (EST) is used to configure the TCU as to whether or not the tractor has an engine brake.



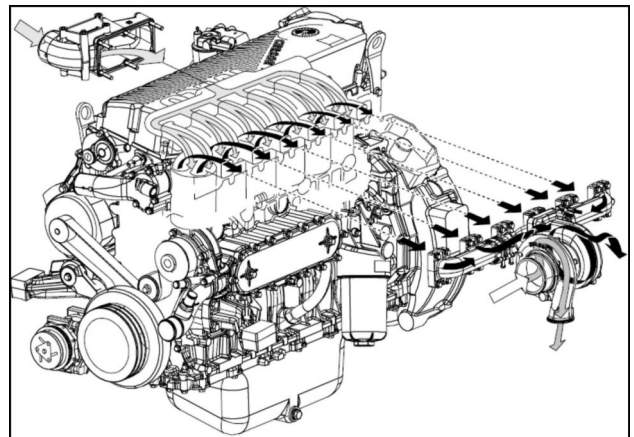


RAIL15TR00415GA 4

The engine brake switch on the Integrated Control Panel (ICP) activates the system. When the switch is activated, and the difference between the commanded (throttle) and actual engine speed exceeds a **30%** threshold, the software activates the brake.

Air Induction - cross flow cylinder head

The cylinder head is of the cross flow design, inlet on one side and exhaust on the other. This and four valves per cylinder give it excellent breathing ability and efficient temperature control. The air is supplied to the inlet by a wastegate turbocharger or a Variable Geometry Turbocharger (VGT).

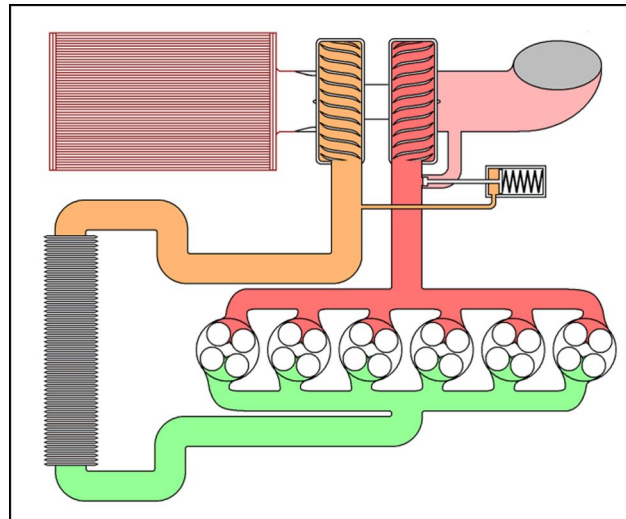


RAIL15TR00376BA 5

Wastegate turbocharger

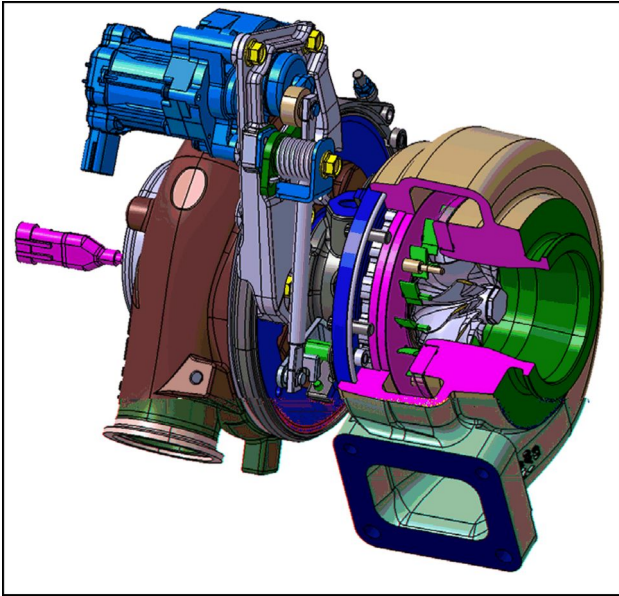
The wastegate turbocharger allows for a larger turbocharger to be installed producing higher boost pressures in the low and midrange rpm while not over-boosting at high rpm.

Intake pressure builds against a diaphragm in the wastegate and opens a valve allowing exhaust to bypass the turbine therefore slowing the compressor and limiting the pressure in the intake manifold.



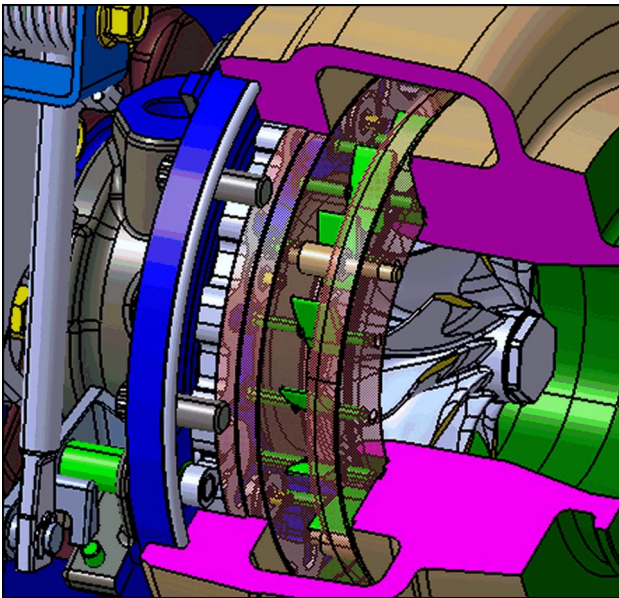
RAIL15TR00396BA 6

Electronically Variable Geometry Turbocharger (eVGT)



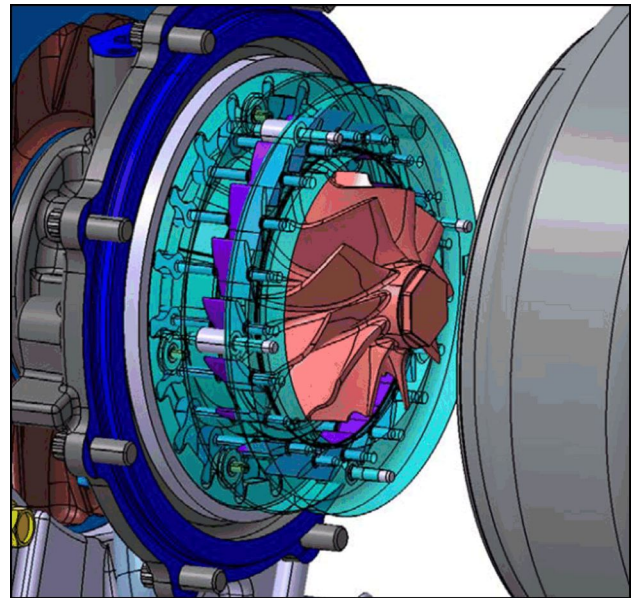
RAIL15TR00383BA 7

The electronically Variable Geometry Turbocharger (eVGT) is used on the TIER 4A **Magnum™** 370 and TIER 4B **Magnum™** 280, 310, 340 and 380. . The eVGT is electronically controlled by the Engine Control Unit (ECU).



RAIL15TR00395BA 8

Vanes open (low boost)



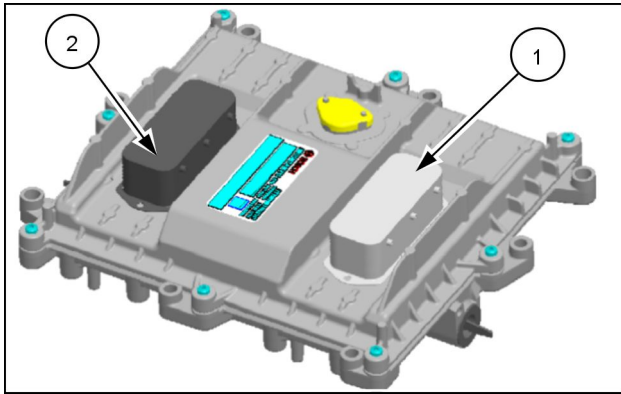
RAIL15TR00394BA 9

Vanes closed (high boost)

The eVGT uses a series of aerodynamic vanes to direct exhaust toward the turbine controlling both the velocity and angle the exhaust contacts the turbine. This gives the ECU the ability to dynamically “tune” the boost pressure at any given engine speed and load, Improving performance and fuel economy.

Fully open the velocity slows and the angle is decreased therefore the turbine and compressor turn slower producing less boost. When needed, the vanes close increasing the velocity and angle, therefore increasing turbine and compressor speed, producing higher boost anytime it is needed across the entire operating range of the engine.

EDC17CV41



RAIL14TR00234PA 10

A new Engine Control Unit (ECU) is used on TIER 4B engines, the EDC17CV41. It is used on FPT engines from the **4.5 L** NEF to the **12.9 L Cursor®** engines. It has two 96-pin electrical connectors: one for the engine components and one for the tractor connections. Pin connections will be common for all the CNH/FPT engines using this controller.

1. Tractor connector
2. Engine connector

The EDC17CV41 controls all engine and Selective Catalytic Reduction (SCR) functions.



Suggest:

If the above button click is invalid.

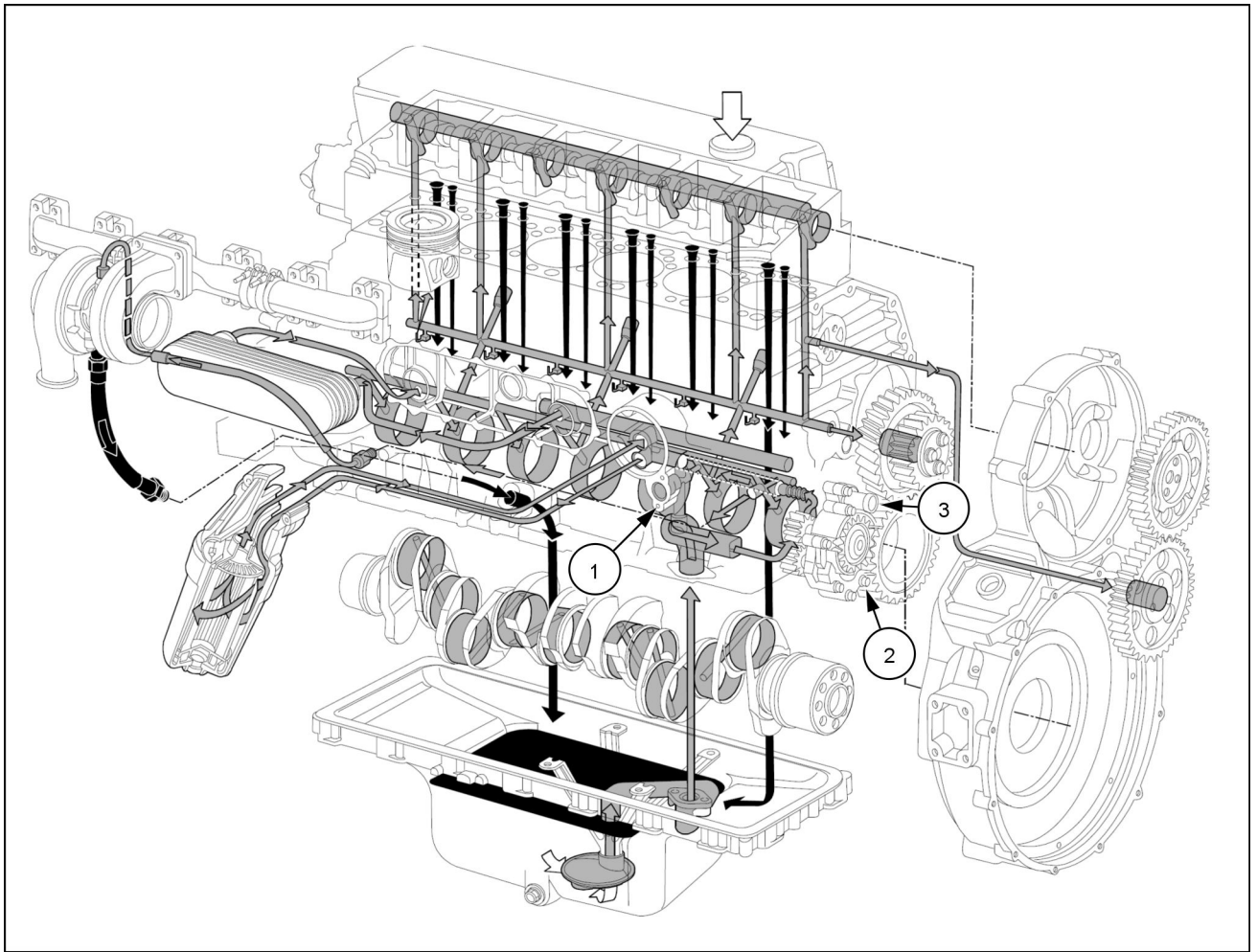
Please download this document

first, and then click the above link

to download the complete manual.

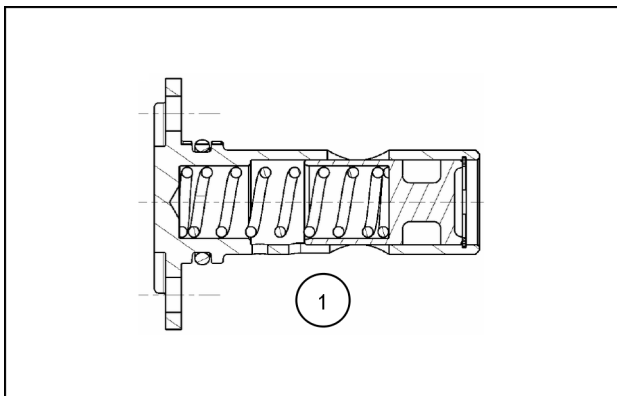
Thank you so much for reading

Lubrication System

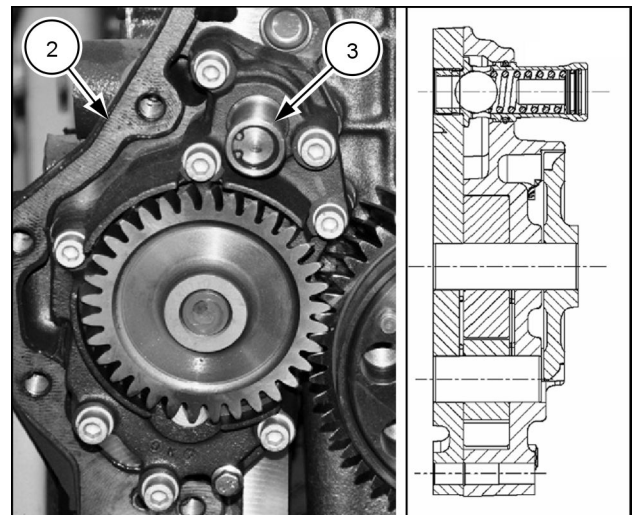


RAIL15TR00416GA 11

Oil pressure is controlled by a **5 bar (72.5 psi)** relief valve (1) in the oil galley coming from the gear type oil pump (2) located behind the rear cover of the engine. The oil pump also has an over pressurization relief valve (3) set at approximately **10 bar (145 psi)**.



RAIL15TR00367AA 12



RAIL15TR00389BA 13

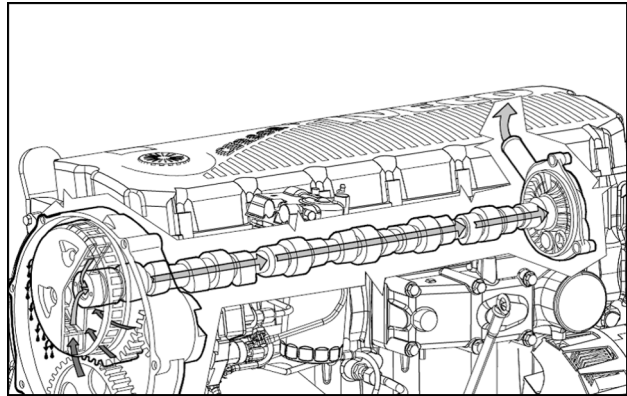
A **5 bar (72.5 psi)** oil pressure control valve (1) is located on the left hand side of the engine. The oil pump assembly (2) includes an over pressurization relief valve (3) that protects the pump. The valve opens at **9.4 – 10.8 bar (136.3 – 156.6 psi)**.

Blow-by recirculation

Blow-by is controlled by a rotary filter bolted to the rear of the camshaft. As the cam turns excess oil is thrown off by centrifugal force, finer oil is filtered out.

The blow-by then passes through the center of the camshaft and exits at the front.

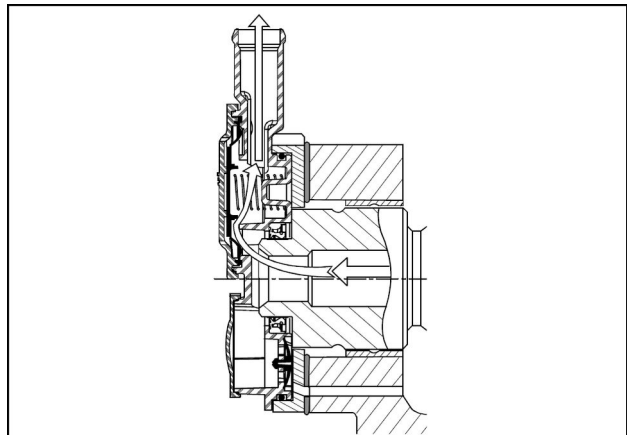
This filter must be replaced at regular intervals or the engine will build up excessive pressure in the crank case.



RAIL15TR00366AA 14

Built into the cover at the front is a valve that allows blow-by pressures out, but will not allow atmospheric pressure into the crankcase.

This filtered air is directed back into the inlet and re-burned.



RAIL15TR00377BA 15

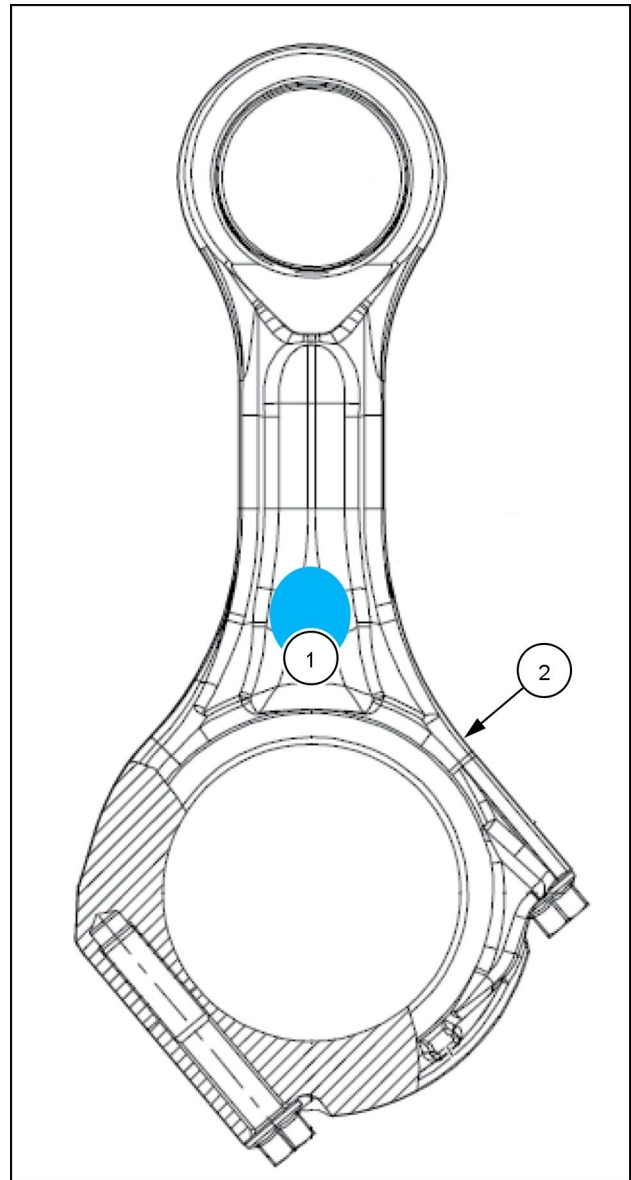
Connecting Rods

Connecting rods must all be the same weight class in an engine. The weight class is identified by a color swatch on the connecting rod.

There are three classes of crankshaft bearing diameters (bore size) on the connecting rod. The bore size is marked by a color code on the rod. The oil clearance is determined by the connecting rod bore size and the crankshaft journal size. Based on connecting rod bore diameter and the crankshaft journal diameter a bearing set must be determined.

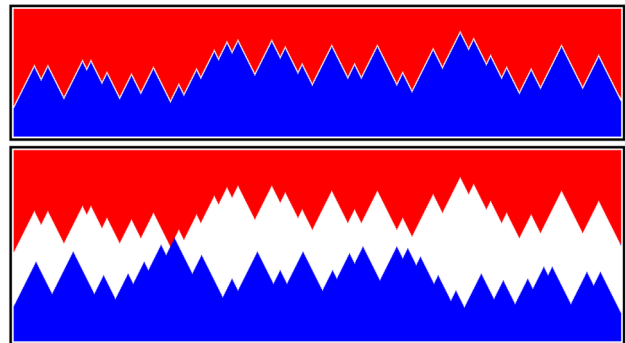
Connecting rods are the fracture split type. Care must be taken when handling these rods as any damage to the cap/rod mating area requires that the rod be replaced.

Connecting rod weight, class and color	Bore diameter and color designation	
3450 – 3470 grams Grade A, Yellow	85.987 - 58.996	Yellow
	85.997 - 86.005	Green
	86.006 - 86.013	Blue
3471 – 3490 grams Grade B, Green	85.987 - 58.996	Yellow
	85.997 - 86.005	Green
	86.006 - 86.013	Blue
3491 – 3510 grams Grade C, Blue	85.987 - 58.996	Yellow
	85.997 - 86.005	Green
	86.006 - 86.013	Blue



RAIL15TR00397CA 16

Fracture split rods give nearly perfect alignment. In both examples the red (rod) profiles are identical as are the blue (cap) profiles. In the top example the rod fits perfectly with the cap. In the lower example the rod is in the same position but the cap is reversed, here the material peaks align peak to peak and keeps cap from mating with the rod.



RAIL15TR00375AA 17

<https://www.ebooklibonline.com>

Hello dear friend!

Thank you very much for reading.

Enter the link into your browser.

The full manual is available for immediate download.

<https://www.ebooklibonline.com>