

**Magnum™ 250**  
**Magnum™ 280**  
**Magnum™ 310**  
**Magnum™ 340**  
**Magnum™ 310 Rowtrac™**  
**Magnum™ 340 Rowtrac™**  
**Powershift Transmission (PST)**  
**Tractor**

*PIN ZGRF05001 and above; PIN ZHRF01001 and above*

**SERVICE MANUAL**

Part number 48115464

1<sup>st</sup> edition English

April 2017

© 2017 CNH Industrial America LLC. All Rights Reserved.



# Link Product / Engine

---

<b>Product</b>	<b>Market Product</b>	<b>Engine</b>
Magnum™ 250 PST TIER 4B [ZGRF05001 - ]	Europe	F2CFE613G*B001
Magnum™ 280 PST TIER 4B [ZGRF05001 - ]	Europe	F2CFE614G*B002
Magnum™ 310 PST TIER 4B [ZGRF05001 - ]	Europe	F2CFE614D*B002
Magnum™ 340 PST TIER 4B [ZGRF05001 - ]	Europe	F2CFE614C*B002
Magnum™ 310 Rowtrac™ PST TIER 4B [ZGRF05001 - ]	Europe	F2CFE614D*B002
Magnum™ 340 Rowtrac™ PST TIER 4B [ZGRF05001 - ]	Europe	F2CFE614C*B002

# Contents

---

## INTRODUCTION

<b>Engine</b> .....	<b>10</b>
[10.001] Engine and crankcase .....	10.1
[10.101] Cylinder heads .....	10.2
[10.202] Air cleaners and lines .....	10.3
[10.206] Fuel filters .....	10.4
[10.216] Fuel tanks .....	10.5
[10.218] Fuel injection system.....	10.6
[10.304] Engine lubrication system.....	10.7
[10.310] Aftercooler.....	10.8
[10.400] Engine cooling system .....	10.9
[10.414] Fan and drive .....	10.10
[10.500] Selective Catalytic Reduction (SCR) exhaust treatment.....	10.11
<b>Power coupling</b> .....	<b>19</b>
[19.100] Drive shaft.....	19.1
[19.110] Flywheel damper .....	19.2
[19.120] Drive shaft shield assembly .....	19.3
<b>Transmission</b> .....	<b>21</b>
[21.105] Powershift transmission hydraulic components .....	21.1
[21.113] Powershift transmission .....	21.2
[21.135] Powershift transmission external controls.....	21.3
[21.155] Powershift transmission internal components.....	21.4
[21.200] Dropbox .....	21.5
[21.900] Hydraulic pump drive.....	21.6
<b>Four-Wheel Drive (4WD) system</b> .....	<b>23</b>
[23.202] Electro-hydraulic control .....	23.1

**<https://www.ebooklibonline.com>**

Hello dear friend!

Thank you very much for reading.

Enter the link into your browser.

The full manual is available for immediate download.

**<https://www.ebooklibonline.com>**

[23.314] Drive shaft.....	23.2
<b>Front axle system .....</b>	<b>25</b>
[25.100] Powered front axle .....	25.1
[25.102] Front bevel gear set and differential .....	25.2
[25.108] Final drive hub, steering knuckles, and shafts .....	25.3
[25.122] Axle suspension control.....	25.4
<b>Rear axle system.....</b>	<b>27</b>
[27.100] Powered rear axle.....	27.1
[27.106] Rear bevel gear set and differential.....	27.2
[27.120] Planetary and final drives .....	27.3
[27.610] Rear axle track yoke assembly .....	27.4
<b>Power Take-Off (PTO).....</b>	<b>31</b>
[31.104] Rear electro-hydraulic control.....	31.1
[31.110] One-speed rear Power Take-Off (PTO) .....	31.2
[31.114] Two-speed rear Power Take-Off (PTO) .....	31.3
[31.146] Front Power Take-Off (PTO) .....	31.4
<b>Brakes and controls .....</b>	<b>33</b>
[33.110] Parking brake or parking lock .....	33.1
[33.202] Hydraulic service brakes .....	33.2
[33.220] Trailer brake hydraulic control.....	33.3
[33.224] Trailer brake pneumatic control .....	33.4
[33.240] Emergency brake .....	33.5
<b>Hydraulic systems.....</b>	<b>35</b>
[35.000] Hydraulic systems.....	35.1
[35.102] Pump control valves.....	35.2
[35.106] Variable displacement pump .....	35.3
[35.114] Three-point hitch control valve .....	35.4
[35.124] Three-point hitch hydraulic adjustment .....	35.5

[35.204] Remote control valves .....	35.6
[35.300] Reservoir, cooler, and filters.....	35.7
[35.304] Combination pump units .....	35.8
<b>Hitches, drawbars, and implement couplings.....</b>	<b>37</b>
[37.110] Rear three-point hitch .....	37.1
[37.162] Front hitch.....	37.2
<b>Frames and ballasting .....</b>	<b>39</b>
[39.100] Frame .....	39.1
<b>Steering.....</b>	<b>41</b>
[41.101] Steering control .....	41.1
[41.200] Hydraulic control components.....	41.2
[41.206] Pump .....	41.3
[41.432] Autoguidance steering .....	41.4
[41.910] Auxiliary steering .....	41.5
<b>Wheels.....</b>	<b>44</b>
[44.520] Rear wheels.....	44.1
<b>Tracks and track suspension.....</b>	<b>48</b>
[48.100] Tracks .....	48.1
[48.130] Track frame and driving wheels.....	48.2
[48.134] Track tension units .....	48.3
[48.138] Track rollers .....	48.4
<b>Cab climate control .....</b>	<b>50</b>
[50.100] Heating.....	50.1
[50.200] Air conditioning.....	50.2
[50.300] Cab pressurizing system.....	50.3
<b>Electrical systems .....</b>	<b>55</b>
[55.000] Electrical system .....	55.1

[55.010] Fuel injection system .....	55.2
[55.012] Engine cooling system .....	55.3
[55.013] Engine oil system .....	55.4
[55.014] Engine intake and exhaust system.....	55.5
[55.015] Engine control system.....	55.6
[55.024] Transmission control system .....	55.7
[55.045] Front axle control system .....	55.8
[55.046] Rear axle control system.....	55.9
[55.047] Steering control system .....	55.10
[55.050] Heating, Ventilation, and Air-Conditioning (HVAC) control system.....	55.11
[55.051] Cab Heating, Ventilation, and Air-Conditioning (HVAC) controls.....	55.12
[55.100] Harnesses and connectors.....	55.13
[55.130] Rear three-point hitch electronic control system .....	55.14
[55.201] Engine starting system .....	55.15
[55.301] Alternator.....	55.16
[55.302] Battery.....	55.17
[55.408] Warning indicators, alarms, and instruments .....	55.18
[55.510] Cab or platform harnesses and connectors.....	55.19
[55.512] Cab controls.....	55.20
[55.513] Cab transmission controls.....	55.21
[55.518] Wiper and washer system.....	55.22
[55.640] Electronic modules.....	55.23
[55.988] Selective Catalytic Reduction (SCR) electrical system .....	55.24
[55.DTC] FAULT CODES.....	55.25

## Platform, cab, bodywork, and decals .....

[90.100] Engine hood and panels .....	90.1
[90.102] Engine shields, hood latches, and trims .....	90.2
[90.124] Pneumatically-adjusted operator seat.....	90.3
[90.150] Cab.....	90.4

[90.151] Cab interior .....	90.5
[90.160] Cab interior trim and panels .....	90.6



# INTRODUCTION

# Contents

---

## INTRODUCTION

Foreword - Important notice regarding equipment servicing .....	3
Safety rules .....	4
Safety rules - General maintenance safety .....	5
Safety rules - Personal Protective Equipment (PPE) .....	6
Safety rules - Do Not Operate tag .....	7
Safety rules - Ecology and the environment .....	8
Torque - Minimum tightening torques for normal assembly .....	9
Torque - Standard torque data for hydraulic connections .....	14
General specification - Engine .....	21
General specification - Power train (*) .....	22
Capacities .....	25
Product identification .....	26
Product identification - Machine orientation (*) .....	29

(\*) See content for specific models

---

## **Foreword - Important notice regarding equipment servicing**

All repair and maintenance work listed in this manual must be carried out only by qualified dealership personnel, strictly complying with the instructions given, and using, whenever possible, the special tools.

Anyone who performs repair and maintenance operations without complying with the procedures provided herein shall be responsible for any subsequent damages.

The manufacturer and all the organizations of its distribution chain, including - without limitation - national, regional, or local dealers, reject any responsibility for damages caused by parts and/or components not approved by the manufacturer, including those used for the servicing or repair of the product manufactured or marketed by the manufacturer. In any case, no warranty is given or attributed on the product manufactured or marketed by the manufacturer in case of damages caused by parts and/or components not approved by the manufacturer.

The manufacturer reserves the right to make improvements in design and changes in specifications at any time without notice and without incurring any obligation to install them on units previously sold. Specifications, descriptions, and illustrative material herein are as accurate as known at time of publication but are subject to change without notice.

In case of questions, refer to your CASE IH Sales and Service Networks.

## Safety rules


### Personal safety





This is the safety alert symbol. It is used to alert you to potential personal injury hazards. Obey all safety messages that follow this symbol to avoid possible death or injury.

Throughout this manual you will find the signal words DANGER, WARNING, and CAUTION followed by special instructions. These precautions are intended for the personal safety of you and those working with you.

Read and understand all the safety messages in this manual before you operate or service the machine.

 DANGER indicates a hazardous situation that, if not avoided, will result in death or serious injury.

 WARNING indicates a hazardous situation that, if not avoided, could result in death or serious injury.

 CAUTION indicates a hazardous situation that, if not avoided, could result in minor or moderate injury.

**FAILURE TO FOLLOW DANGER, WARNING, AND CAUTION MESSAGES COULD RESULT IN DEATH OR SERIOUS INJURY.**

### Machine safety

**NOTICE:** Notice indicates a situation that, if not avoided, could result in machine or property damage.

Throughout this manual you will find the signal word Notice followed by special instructions to prevent machine or property damage. The word Notice is used to address practices not related to personal safety.

### Information

**NOTE:** Note indicates additional information that clarifies steps, procedures, or other information in this manual.

Throughout this manual you will find the word Note followed by additional information about a step, procedure, or other information in the manual. The word Note is not intended to address personal safety or property damage.

## Safety rules - General maintenance safety

### General maintenance safety

Keep the area used for servicing the machine clean and dry. Clean up spilled fluids.

Service the machine on a firm, level surface.

Install guards and shields after you service the machine.

Close all access doors and install all panels after servicing the machine.

Do not attempt to clean, lubricate, clear obstructions, or make adjustments to the machine while it is in motion or while the engine is running.

Always make sure that working area is clear of tools, parts, other persons and pets before you start operating the machine.

Unsupported hydraulic cylinders can lose pressure and drop the equipment, causing a crushing hazard. Do not leave equipment in a raised position while parked or during service, unless the equipment is securely supported.

Jack or lift the machine only at jack or lift points indicated in this manual.

Incorrect towing procedures can cause accidents. When you tow a disabled machine follow the procedure in this manual. Use only rigid tow bars.

Stop the engine, remove the key, and relieve pressure before you connect or disconnect fluid lines.

Stop the engine and remove the key before you connect or disconnect electrical connections.

Scalding can result from incorrect removal of coolant caps. Cooling systems operate under pressure. Hot coolant can spray out if you remove a cap while the system is hot. Allow the system to cool before you remove the cap. When you remove the cap, turn it slowly to allow pressure to escape before you completely remove the cap.

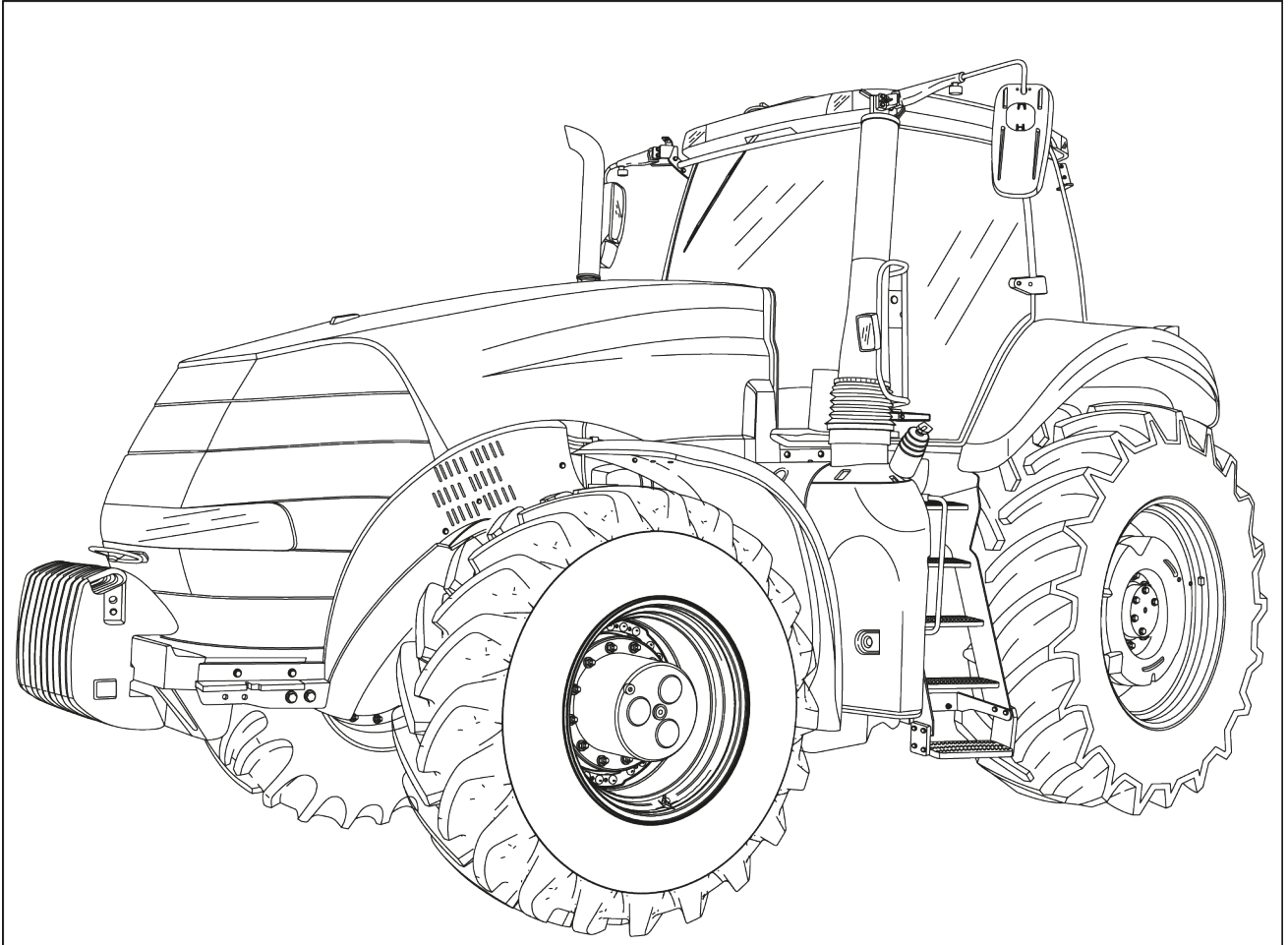
Replace damaged or worn tubes, hoses, electrical wiring, etc.

The engine, transmission, exhaust components, and hydraulic lines may become hot during operation. Take care when you service such components. Allow surfaces to cool before you handle or disconnect hot components. Wear protective equipment when appropriate.

When welding, follow the instructions in the manual. Always disconnect the battery before you weld on the machine. Always wash your hands after you handle battery components.

## Product identification - Machine orientation

Magnum™ 250 PST TIER 4B [ZGRF05001 - ]	WE
Magnum™ 280 PST TIER 4B [ZGRF05001 - ]	WE
Magnum™ 310 PST TIER 4B [ZGRF05001 - ]	WE
Magnum™ 340 PST TIER 4B [ZGRF05001 - ]	WE



RAIL15TR00918GA 1

The right hand and left hand side of the tractor used in this manual are the same as your right hand and left hand when sitting in the tractor seat looking forward.

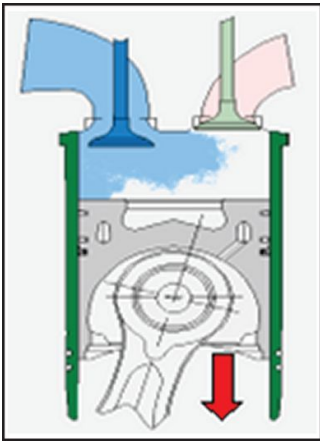


## **SERVICE MANUAL**

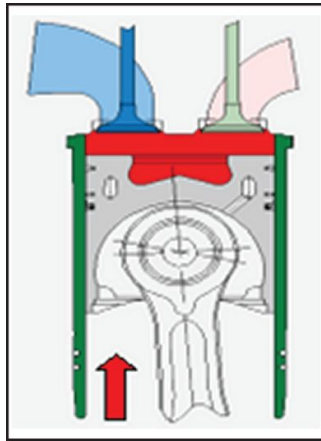
### **Engine**

**Magnum™ 250 PST TIER 4B [ZGRF05001 - ], Magnum™ 280 PST TIER 4B [ZGRF05001 - ], Magnum™ 310 PST TIER 4B [ZGRF05001 - ], Magnum™ 310 Rowtrac™ PST TIER 4B [ZGRF05001 - ], Magnum™ 340 PST TIER 4B [ZGRF05001 - ], Magnum™ 340 Rowtrac™ PST TIER 4B [ZGRF05001 - ]**

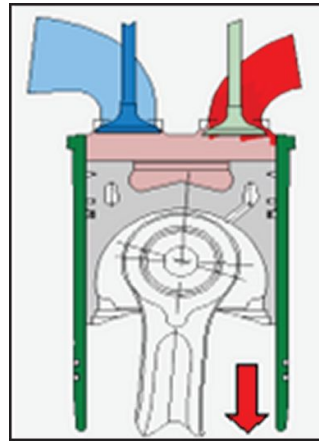
## Exhaust brake



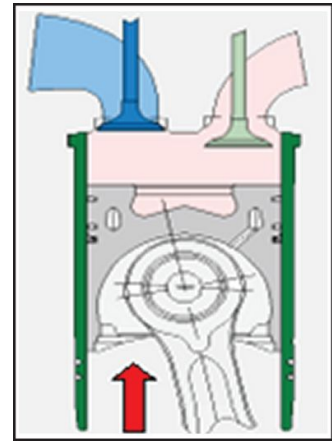
**Admission phase:**  
Intake of fresh air.



**Compression phase:**  
Energy is stored in the compressed air, braking effect increases with compression



**Top dead center:**  
Exhaust valves open, compressed air is released, energy is blown out.



**Exhaust phase:**  
Cylinder is empty, no energy exchange. Exhaust gases impact against the turbine, creating an additional braking effect.

All **Cursor®** engines are equipped with an advanced engine brake system: the Iveco Turbo Brake (IBT) system.

- Decompression engine brake
- Quick responding
- Integrated in the engine control
- Linked to cruise control
- Linked to EBS

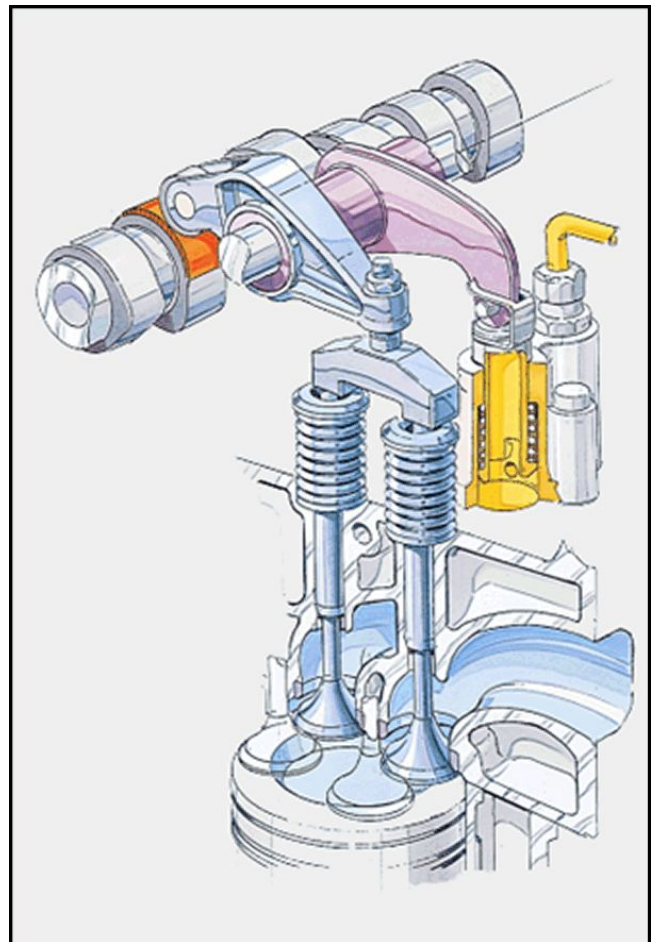
### Advantage

- Less brake pad wear
- Automatically engaged

### Benefit

- Reduced operation cost
- Operator ease

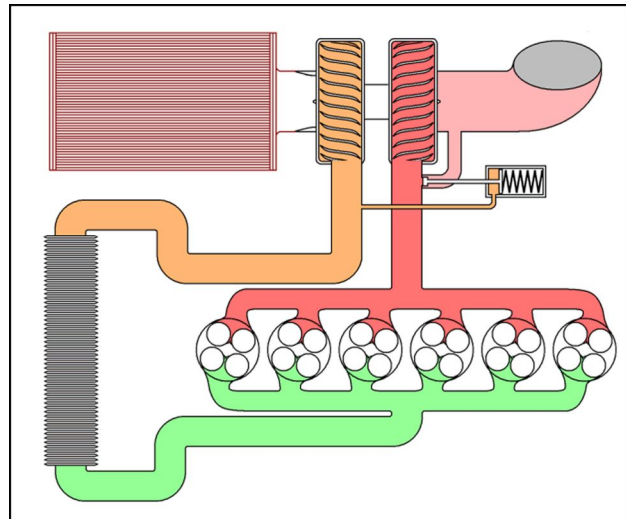
The engine brake is controlled by the Tractor Control Unit (TCU). The Electronic Service Tool (EST) is used to configure the TCU as to whether or not the tractor has an engine brake.



## Wastegate turbocharger

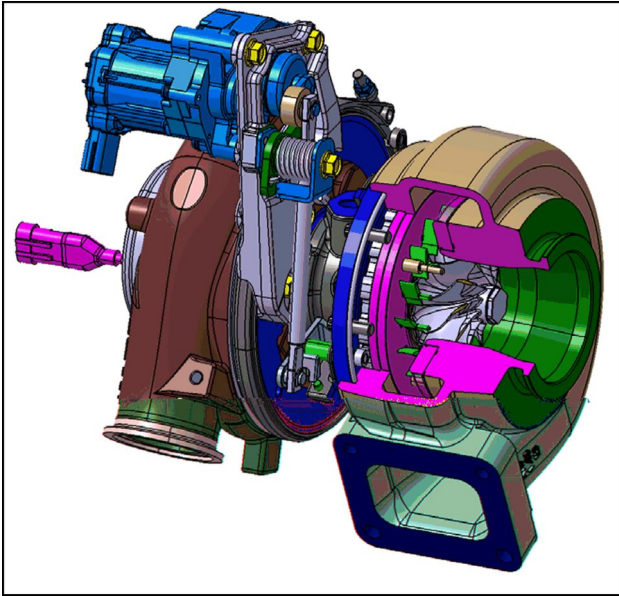
The wastegate turbocharger allows for a larger turbocharger to be installed producing higher boost pressures in the low and midrange rpm while not over-boosting at high rpm.

Intake pressure builds against a diaphragm in the wastegate and opens a valve allowing exhaust to bypass the turbine therefore slowing the compressor and limiting the pressure in the intake manifold.



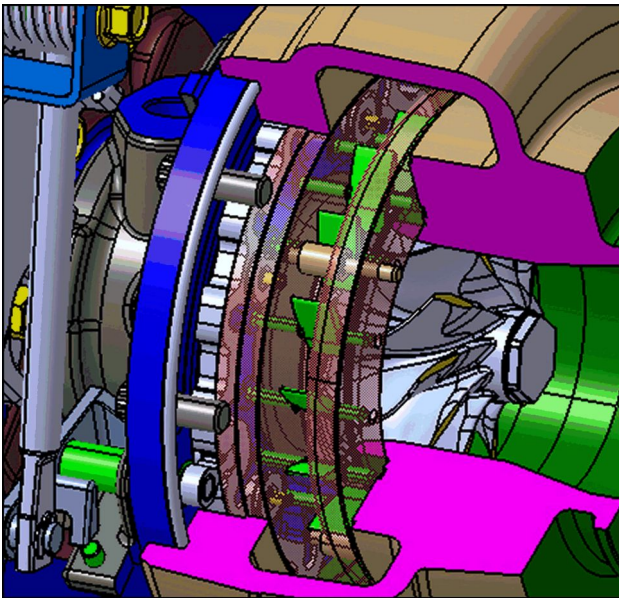
RAIL15TR00396BA 6

## Electronically Variable Geometry Turbocharger (eVGT)



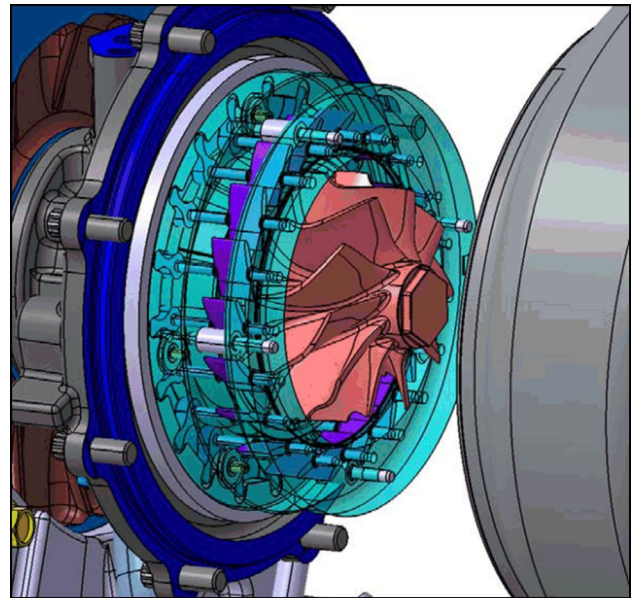
RAIL15TR00383BA 7

The electronically Variable Geometry Turbocharger (eVGT) is used on the TIER 4A **Magnum™** 370 and TIER 4B **Magnum™** 280, 310, 340 and 380. . The eVGT is electronically controlled by the Engine Control Unit (ECU).



RAIL15TR00395BA 8

Vaness open (low boost)



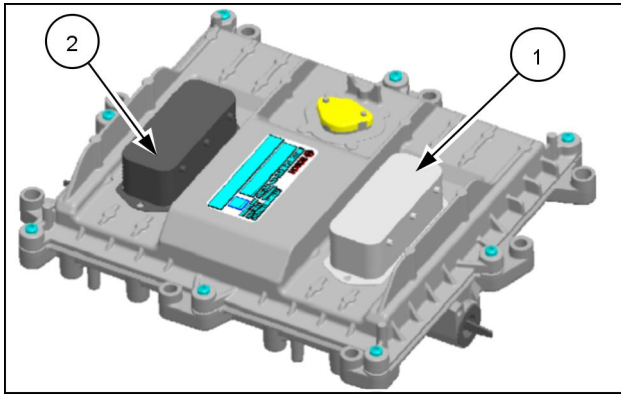
RAIL15TR00394BA 9

Vaness closed (high boost)

The eVGT uses a series of aerodynamic vanes to direct exhaust toward the turbine controlling both the velocity and angle the exhaust contacts the turbine. This gives the ECU the ability to dynamically “tune” the boost pressure at any given engine speed and load, Improving performance and fuel economy.

Fully open the velocity slows and the angle is decreased therefore the turbine and compressor turn slower producing less boost. When needed, the vanes close increasing the velocity and angle, therefore increasing turbine and compressor speed, producing higher boost anytime it is needed across the entire operating range of the engine.

## EDC17CV41



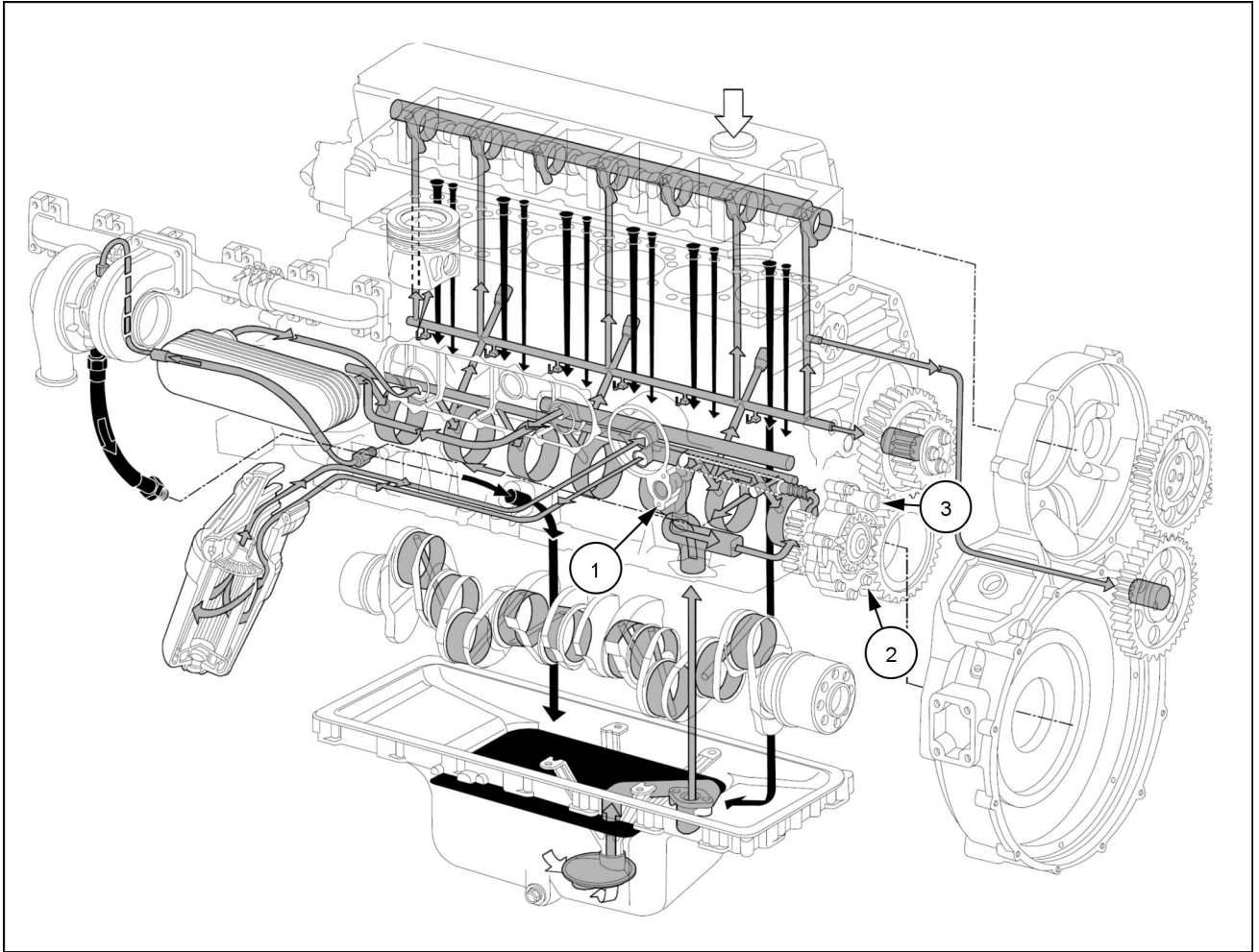
RAIL14TR00234PA 10

A new Engine Control Unit (ECU) is used on TIER 4B engines, the EDC17CV41. It is used on FPT engines from the **4.5 L** NEF to the **12.9 L Cursor®** engines. It has two 96-pin electrical connectors: one for the engine components and one for the tractor connections. Pin connections will be common for all the CNH/FPT engines using this controller.

1. Tractor connector
2. Engine connector

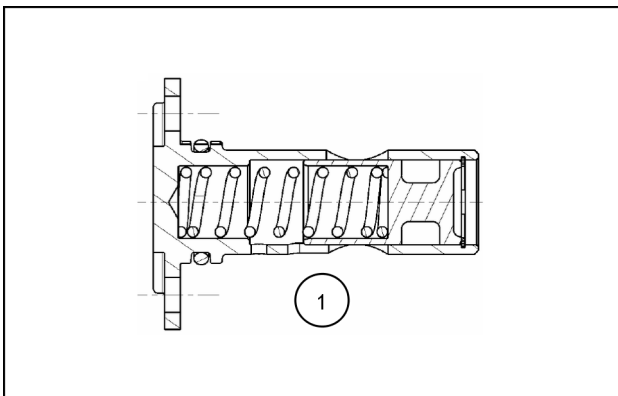
The EDC17CV41 controls all engine and Selective Catalytic Reduction (SCR) functions.

## Lubrication System

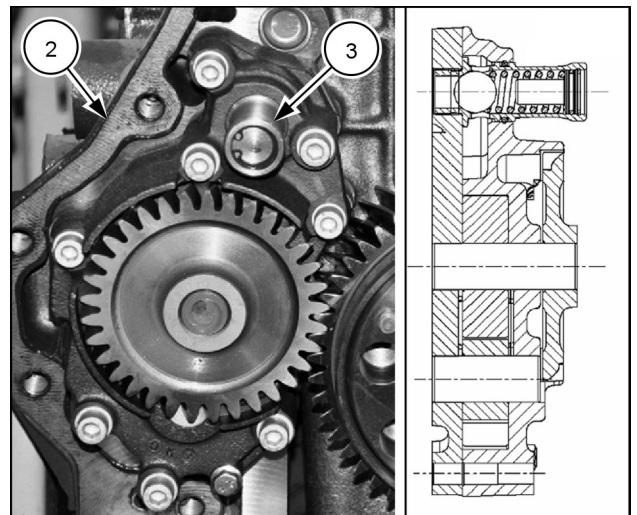


RAIL15TR00416GA 11

Oil pressure is controlled by a **5 bar (72.5 psi)** relief valve (1) in the oil galley coming from the gear type oil pump (2) located behind the rear cover of the engine. The oil pump also has an over pressurization relief valve (3) set at approximately **10 bar (145 psi)**.



RAIL15TR00367AA 12



RAIL15TR00389BA 13

A **5 bar (72.5 psi)** oil pressure control valve (1) is located on the left hand side of the engine. The oil pump assembly (2) includes an over pressurization relief valve (3) that protects the pump. The valve opens at **9.4 – 10.8 bar (136.3 – 156.6 psi)**.



**Suggest:**

**If the above button click is invalid.**

**Please download this document**

**first, and then click the above link**

**to download the complete manual.**

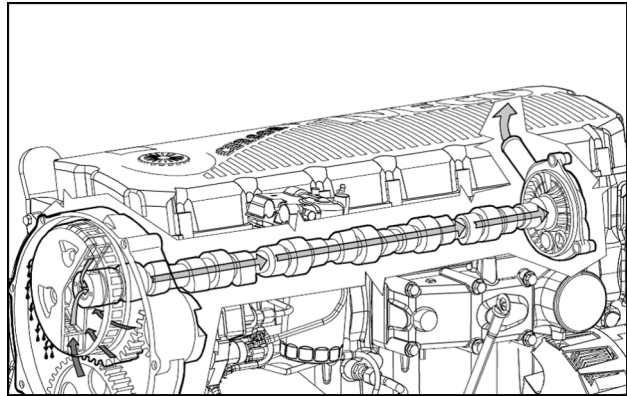
**Thank you so much for reading**

## Blow-by recirculation

Blow-by is controlled by a rotary filter bolted to the rear of the camshaft. As the cam turns excess oil is thrown off by centrifugal force, finer oil is filtered out.

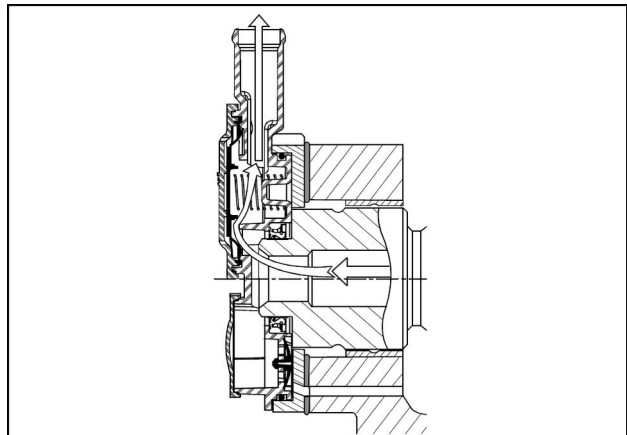
The blow-by then passes through the center of the camshaft and exits at the front.

This filter must be replaced at regular intervals or the engine will build up excessive pressure in the crank case.



Built into the cover at the front is a valve that allows blow-by pressures out, but will not allow atmospheric pressure into the crankcase.

This filtered air is directed back into the inlet and re-burned.



**<https://www.ebooklibonline.com>**

Hello dear friend!

Thank you very much for reading.

Enter the link into your browser.

The full manual is available for immediate download.

**<https://www.ebooklibonline.com>**