

LUXSUM™ 100
LUXSUM™ 110
LUXSUM™ 120
Tractor - Stage IV
PIN ZGSK01001 and above

SERVICE MANUAL

Part number 51543529
English
February 2019
© 2019 CNH Industrial Österreich GmbH. All Rights Reserved.



Link Product / Engine

Product	Market Product	Engine
LUXXUM™ 100 Semi Powershift 32x32 [ZGSK01001 -]	Europe	F5GFL413C*B015
LUXXUM™ 110 Semi Powershift 32x32 [ZGSK01001 -]	Europe	F5GFL413B*B017
LUXXUM™ 120 Semi Powershift 32x32 [ZGSK01001 -]	Europe	F5GFL413A*B025

Contents

INTRODUCTION

Engine	10
[10.102] Pan and covers	10.1
[10.216] Fuel tanks	10.2
[10.218] Fuel injection system.....	10.3
[10.202] Air cleaners and lines	10.4
[10.400] Engine cooling system	10.5
[10.414] Fan and drive	10.6
[10.500] Selective Catalytic Reduction (SCR) exhaust treatment.....	10.7
Clutch	18
[18.112] Slip clutch or flywheel damper	18.1
Transmission	21
[21.111] Semi-Powershift transmission	21.1
[21.133] Semi-Powershift transmission external controls	21.2
[21.103] Semi-Powershift transmission hydraulic components.....	21.3
[21.152] Semi-Powershift transmission internal components	21.4
[21.109] Transmission cooler and lines.....	21.5
[21.900] Hydraulic pump drive.....	21.6
[21.902] Field-road group.....	21.7
Four-Wheel Drive (4WD) system	23
[23.202] Electro-hydraulic control	23.1
[23.314] Drive shaft.....	23.2
Front axle system	25
[25.100] Powered front axle	25.1
[25.102] Front bevel gear set and differential	25.2
[25.108] Final drive hub, steering knuckles, and shafts	25.3

<https://www.ebooklibonline.com>

Hello dear friend!

Thank you very much for reading.

Enter the link into your browser.

The full manual is available for immediate download.

<https://www.ebooklibonline.com>

[25.122] Axle suspension control	25.4
Rear axle system	27
[27.100] Powered rear axle	27.1
[27.106] Rear bevel gear set and differential	27.2
[27.120] Planetary and final drives	27.3
Power Take-Off (PTO)	31
[31.104] Rear electro-hydraulic control	31.1
[31.119] Four-speed rear Power Take-Off (PTO)	31.2
[31.142] Front Power Take-Off (PTO) control	31.3
[31.146] Front Power Take-Off (PTO)	31.4
Brakes and controls	33
[33.202] Hydraulic service brakes	33.1
[33.110] Parking brake or parking lock	33.2
[33.220] Trailer brake hydraulic control	33.3
[33.224] Trailer brake pneumatic control	33.4
[33.204] Front axle brake	33.5
Hydraulic systems	35
[35.000] Hydraulic systems	35.1
[35.300] Reservoir, cooler, and filters	35.2
[35.106] Variable displacement pump	35.3
[35.304] Combination pump units	35.4
[35.204] Remote control valves	35.5
[35.114] Three-point hitch control valve	35.6
[35.160] Front hitch controls and lines	35.7
Hitches, drawbars, and implement couplings	37
[37.162] Front hitch	37.1
Steering	41
[41.101] Steering control	41.1

[41.106] Tie rods.....	41.2
[41.200] Hydraulic control components.....	41.3
[41.216] Cylinders	41.4
Wheels.....	44
[44.511] Front wheels.....	44.1
[44.520] Rear wheels	44.2
Cab climate control	50
[50.100] Heating	50.1
[50.104] Ventilation	50.2
[50.200] Air conditioning.....	50.3
Electrical systems	55
[55.100] Harnesses and connectors.....	55.1
[55.525] Cab engine controls.....	55.2
[55.015] Engine control system.....	55.3
[55.301] Alternator.....	55.4
[55.302] Battery.....	55.5
[55.202] Cold start aid	55.6
[55.011] Fuel tank system	55.7
[55.988] Selective Catalytic Reduction (SCR) electrical system	55.8
[55.640] Electronic modules	55.9
[55.513] Cab transmission controls.....	55.10
[55.024] Transmission control system.....	55.11
[55.020] Transmission speed sensors.....	55.12
[55.021] Transmission pressure sensors and switches	55.13
[55.022] Transmission temperature sensors	55.14
[55.023] Transmission position sensors and switches	55.15
[55.045] Front axle control system	55.16
[55.522] Cab Power Take-Off (PTO) controls	55.17

[55.048] Rear Power Take-Off (PTO) control system	55.18
[55.032] Trailer brake electrical system	55.19
[55.035] Remote control valve electric control	55.20
[55.036] Hydraulic system control	55.21
[55.051] Cab Heating, Ventilation, and Air-Conditioning (HVAC) controls.....	55.22
[55.050] Heating, Ventilation, and Air-Conditioning (HVAC) control system.....	55.23
[55.047] Steering control system	55.24
[55.130] Rear three-point hitch electronic control system	55.25
[55.160] Front hitch electronic control system.....	55.26
[55.785] Precision farming system	55.27
[55.911] Satellite navigation systems.....	55.28
[55.680] Autopilot/Autoguidance	55.29
[55.405] External lighting switches and relays	55.30
[55.408] Warning indicators, alarms, and instruments	55.31
[55.905] ISOBUS components	55.32
[55.030] Service brake electrical system	55.33
[55.DTC] FAULT CODES.....	55.34
Platform, cab, bodywork, and decals	90
[90.150] Cab.....	90.1
[90.151] Cab interior.....	90.2
[90.160] Cab interior trim and panels.....	90.3
[90.100] Engine hood and panels	90.4
[90.124] Pneumatically-adjusted operator seat.....	90.5



INTRODUCTION

Foreword - How to use and navigate through this manual

This manual has been produced by a new technical information system. This new system is designed to deliver technical information electronically through web delivery (eTIM), DVD, and paper manuals. A coding system called SAP has been developed to link the technical information to other Product Support functions, e.g., Warranty.

Technical information is written to support the maintenance and service of the functions or systems on a customer's machine. When a customer has a concern on their machine it is usually because a function or system on their machine is not working at all, is not working efficiently, or is not responding correctly to their commands. When you refer to the technical information in this manual to resolve that customer's concern, you will find all the information classified using the SAP coding, according to the functions or systems on that machine. Once you have located the technical information for that function or system, you will then find all the mechanical, electrical or hydraulic devices, components, assemblies, and sub assemblies for that function or system. You will also find all the types of information that have been written for that function or system: the technical data (specifications), the functional data (how it works), the diagnostic data (fault codes and troubleshooting), and the service data (remove, install adjust, etc.).

By integrating SAP coding into technical information, you will be able to search and retrieve just the right piece of technical information you need to resolve that customer's concern on his machine. This is made possible by attaching 3 categories to each piece of technical information during the authoring process.

The first category is the Location, the second category is the Information Type and the third category is the Product:

- LOCATION - the component or function on the machine, that the piece of technical information is going to describe (e.g., Fuel tank).
- INFORMATION TYPE - the piece of technical information that has been written for a particular component or function on the machine (e.g., Capacity would be a type of Technical Data describing the amount of fuel held by the fuel tank).
- PRODUCT - the model for which the piece of technical information is written.

Every piece of technical information will have those three categories attached to it. You will be able to use any combination of those categories to find the right piece of technical information you need to resolve that customer's concern on their machine.

That information could be:

- the procedure for how to remove the cylinder head
- a table of specifications for a hydraulic pump
- a fault code
- a troubleshooting table
- a special tool

Manual content

This manual is divided into Sections. Each Section is then divided into Chapters. Contents pages are included at the beginning of the manual, then inside every Section and inside every Chapter. An alphabetical Index is included at the end of each Chapter. Page number references are included for every piece of technical information listed in the Chapter Contents or Chapter Index.

Each Chapter is divided into four Information types:

- Technical Data (specifications) for all the mechanical, electrical or hydraulic devices, components, assemblies or sub-assemblies.
- Functional Data (how it works) for all the mechanical, electrical or hydraulic devices, components, assemblies or sub-assemblies.
- Diagnostic Data (fault codes, electrical and hydraulic troubleshooting) for all the mechanical, electrical or hydraulic devices, components, assemblies or sub-assemblies.
- Service Data (remove disassemble, assemble, install) for all the mechanical, electrical or hydraulic devices, components, assemblies or sub-assemblies.

Sections

Sections are grouped according to the main functions or a systems on the machine. Each Section is identified by a number (00, 35, 55, etc.). The Sections included in the manual will depend on the type and function of the machine that the manual is written for. Each Section has a Contents page listed in alphabetic/numeric order. This table illustrates which Sections could be included in a manual for a particular product.

SECTION	PRODUCT				
	Tractors				
	Vehicles with working arms: backhoes, excavators, skid steers,				
	Combines, forage harvesters, balers,				
	Seeding, planting, floating, spraying equipment,				
	Mounted equipment and tools,				
00 - Maintenance	X	X	X	X	X
05 - Machine completion and equipment	X	X	X	X	X
10 - Engine	X	X	X	X	
14 - Main gearbox and drive	X	X	X	X	
18 - Clutch	X	X	X		
21 - Transmission	X	X	X	X	
23 - Four wheel drive (4WD) system	X	X	X	X	
25 - Front axle system	X	X	X	X	
27 - Rear axle system	X	X	X	X	
29 - Hydrostatic drive	X	X	X	X	
31 - Power Take-Off (PTO)	X		X		
33 - Brakes and controls	X	X	X	X	
35 - Hydraulic systems	X	X	X	X	
36 - Pneumatic system	X	X	X	X	
37 - Hitches, drawbars and implement couplings	X		X	X	
39 - Frames and ballasting	X	X	X	X	X
41 - Steering	X	X	X	X	
44 - Wheels	X	X	X	X	
46 - Steering clutches					
48 - Tracks and track suspension	X	X	X		
50 - Cab climate control	X	X	X	X	
55 - Electrical systems	X	X	X	X	X
56 - Grape harvester shaking					
58 - Attachments/headers			X		
60 - Product feeding			X		

INTRODUCTION

61 - Metering system				X	
62 - Pressing - Bale formation			X		
63 - Chemical applicators				X	
64 - Chopping			X		
66 - Threshing			X		
68 - Tying/Wrapping/Twisting			X		
69 - Bale wagons					
70 - Ejection			X		
71 - Lubrication system	X	X	X	X	X
72 - Separation			X		
73 - Residue handling			X		
74 - Cleaning			X		
75 - Soil preparation/Finishing					
76 - Secondary cleaning / Destemmer					
77 - Seeding				X	
78 - Spraying				X	
79 - Planting				X	
80 - Crop storage / Unloading			X		
82 - Front loader and bucket	X	X			
83 - Telescopic single arm	X	X			
84 - Booms, dippers and buckets	X	X			
86 - Dozer blade and arm	X	X			
88 - Accessories	X	X	X	X	X
89 - Tools	X	X	X	X	X
90 - Platform, cab, bodywork and decals	X	X	X	X	



SERVICE MANUAL

Engine

LUXSUM™ 100 Semi Powershift 32x32 [ZGSK01001 -]
LUXSUM™ 110 Semi Powershift 32x32 [ZGSK01001 -]
LUXSUM™ 120 Semi Powershift 32x32 [ZGSK01001 -]

Fuel tank - Remove

⚠ WARNING

Fuel vapors are explosive and flammable.
 Do not smoke while handling fuel. Keep fuel away from flames or sparks. Shut off engine and remove key before servicing. Always work in a well-ventilated area. Clean up spilled fuel immediately.
 Failure to comply could result in death or serious injury.

W0904A

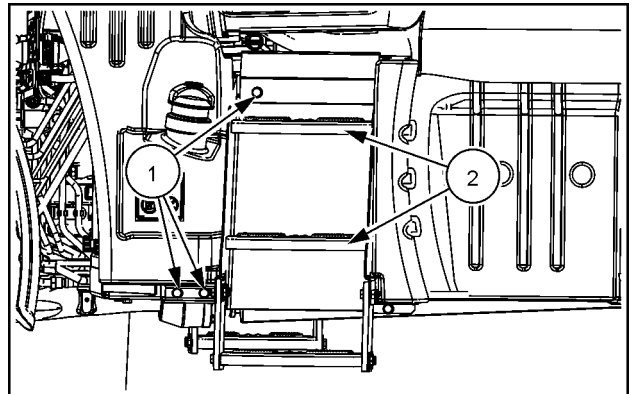
Prior operation:

Remove the battery. See **Battery - Remove (55.302)**.

Drain the engine coolant. See **Radiator - Drain fluid (10.400)**.

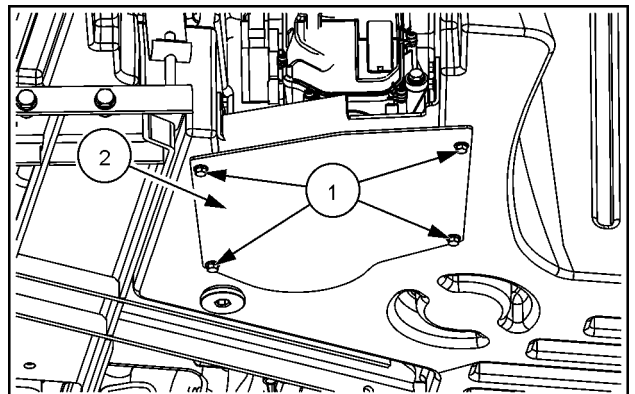
Remove the rear wheel at the left-hand side. See **Rear wheels - Remove (44.520)**.

1. Remove the bolts (1) from the steps at the left-hand side of the tractor.
2. Remove the steps (2).



SVIL15TR02376AA 1

3. Remove the bolts (1).
4. Remove the cover (2).



SVIL15TR02378AA 2

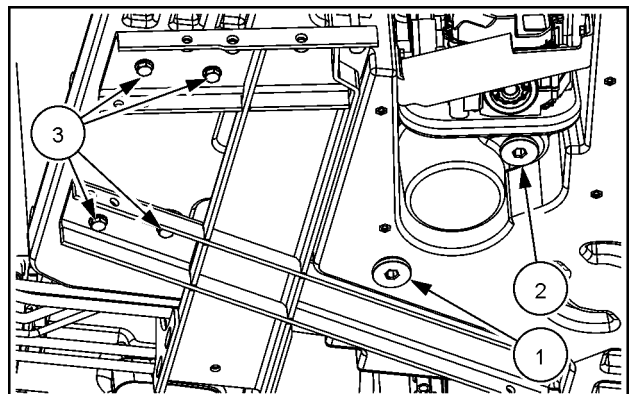
5. Remove the plug (1) and drain the fuel from the fuel tank.

NOTE: Place a container of suitable capacity below the fuel tank.

6. Remove the plug (2) and drain the DEF/AdBlue® if required.

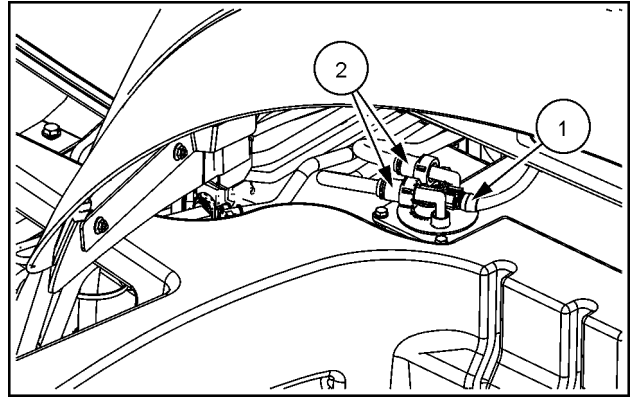
NOTE: Place a suitable container below the DEF/AdBlue® tank.

7. Reinstall the plug (1) and the plug (2) after draining the tanks.
8. Remove the bolts (3) and the bracket for the battery.



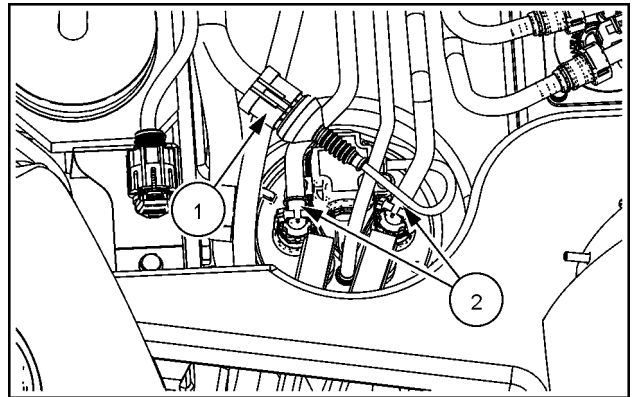
SVIL15TR02379AA 3

9. Disconnect the electrical connector (1) from the fuel tank sensor.
10. Disconnect the pipes (2).



SVIL15TR02381AA 4

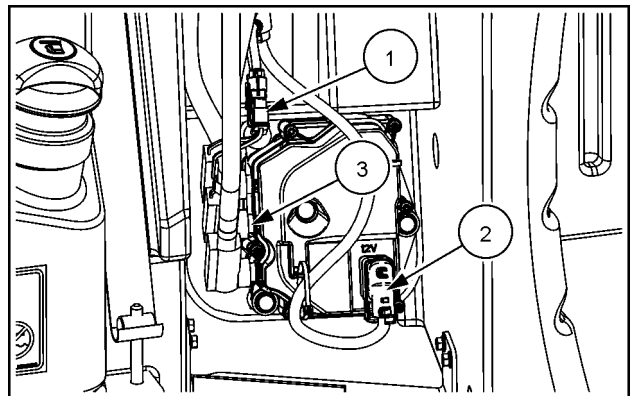
11. Disconnect the electrical connector (1).
12. Disconnect the pipes (2) for the engine coolant.



SVIL15TR02382AA 5

13. Disconnect the two electrical connectors (1).
14. Disconnect the electrical connector (2).
15. Disconnect the hose (3).

NOTE: The hose (3) is labeled with a black insulating tape.



SVIL15TR02377AA 6

16. Put a jack below the fuel tank.
17. Open the clamps (1) of the fuel tank.

18. **⚠ WARNING**

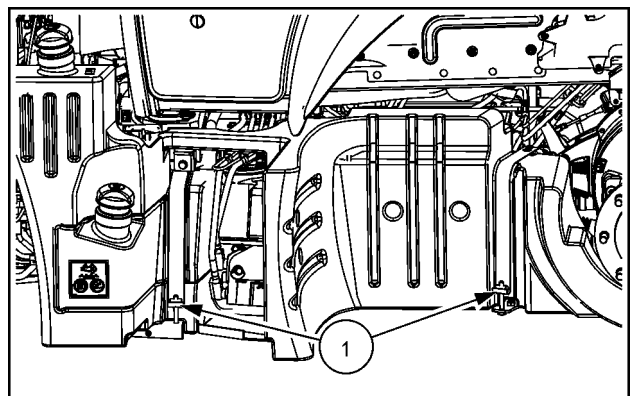
Heavy objects!
Lift and handle all heavy components using lifting equipment with adequate capacity. Always support units or parts with suitable slings or hooks. Make sure the work area is clear of all bystanders. Failure to comply could result in death or serious injury.

W0398A

Carefully remove the fuel tank with the jack.

NOTE: Detach the pipes that are clipped to the fuel tank.

NOTICE: Be sure that no parts are damaged.



SVIL15TR02383AA 7

Fuel tank - Install

⚠ WARNING

Heavy objects!

Lift and handle all heavy components using lifting equipment with adequate capacity. Always support units or parts with suitable slings or hooks. Make sure the work area is clear of all bystanders. Failure to comply could result in death or serious injury.

W0398A

⚠ WARNING

Fuel vapors are explosive and flammable.

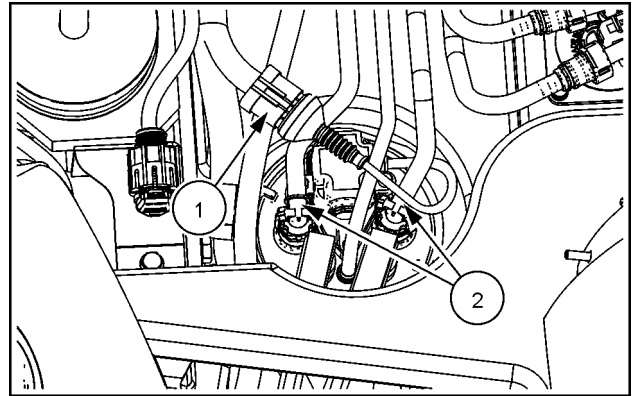
Do not smoke while handling fuel. Keep fuel away from flames or sparks. Shut off engine and remove key before servicing. Always work in a well-ventilated area. Clean up spilled fuel immediately. Failure to comply could result in death or serious injury.

W0904A

Prior operation:

Fuel tank - Remove (10.216)

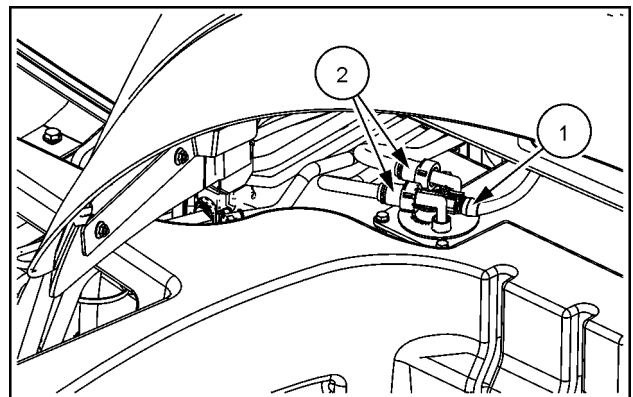
1. Carefully position the fuel tank with a jack.
2. Connect the pipes (2) for the engine coolant.
3. Connect the electrical connector (1).



SVIL15TR02382AA 1

4. Connect the pipes (2).
5. Connect the electrical connector (1) to the fuel tank sensor.

NOTE: Be sure that all pipes are clipped to the fuel tank.



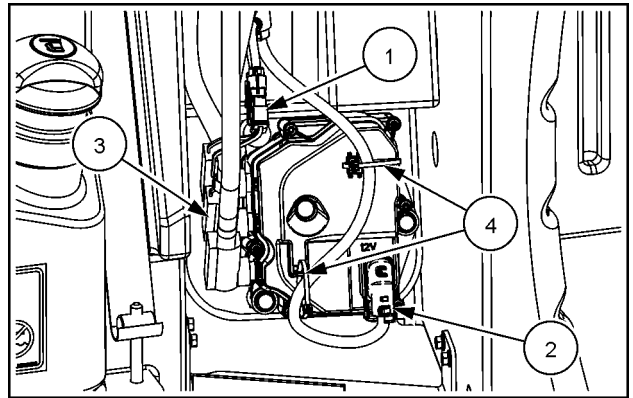
SVIL15TR02381AA 2

6. Connect the electrical connector (2).
7. Fix the harness with cable ties (4).
8. Install the hose (3).

NOTE: The hose (3) is labeled with a black insulating tape.

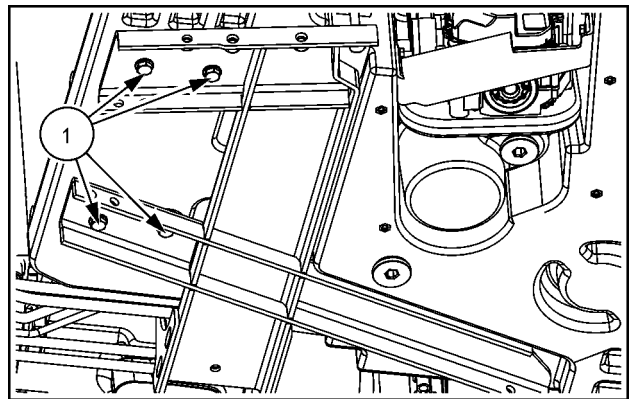
9. Connect the two electrical connectors (1).

NOTE: Be sure that the harness is free of abrasion points. Fix the harness with cable ties if necessary.



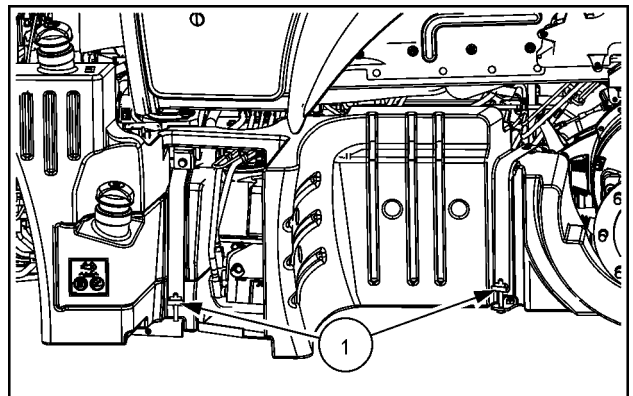
SVIL15TR02377AA 3

10. Install the bracket for the battery with the bolts (1).



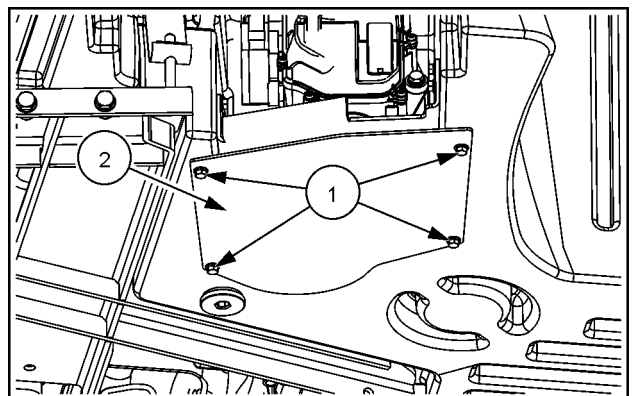
SVIL15TR02379AA 4

11. Fix the fuel tank with the clamps (1).
12. Tighten the bolts of the clamps (1) to 5.0 N·m (3.7 lb ft).
13. Remove the jack.



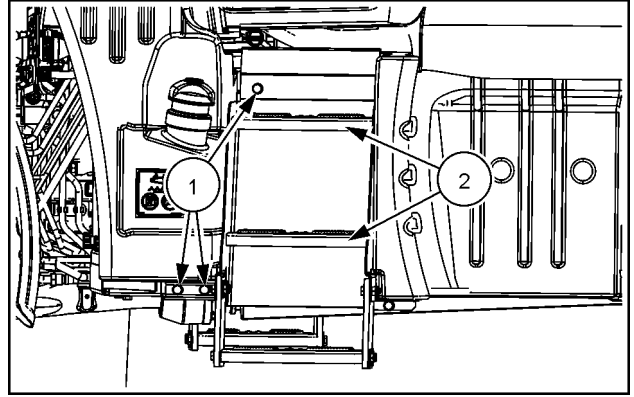
SVIL15TR02383AA 5

14. Install the cover (2) with the bolts (1).



SVIL15TR02378AA 6

15. Install the steps (2) with the bolts (1).



SVIL15TR02376AA 7

16. Fill the **DEF/AdBlue®**.
17. Fill the fuel into the fuel tank.

Next operation:

Fill the engine coolant. See **Radiator - Filling (10.400)**.

Install the battery. See **Battery - Install (55.302)**.

Install the rear wheel at the left-hand side. See **Rear wheels - Install (44.520)**.

Air cleaner - Remove

⚠ WARNING

Heavy objects!

Lift and handle all heavy components using lifting equipment with adequate capacity. Always support units or parts with suitable slings or hooks. Make sure the work area is clear of all bystanders.

Failure to comply could result in death or serious injury.

W0398A

⚠ WARNING

Avoid injury!

Handle all parts carefully. Do not place your hands or fingers between parts. Use Personal Protective Equipment (PPE) as indicated in this manual, including protective goggles, gloves, and safety footwear.

Failure to comply could result in death or serious injury.

W0208A

⚠ WARNING

Electrical shock hazard!

Before working on any part of the electrical system, disconnect the battery ground cable. Complete all electrical work before connecting the cable.

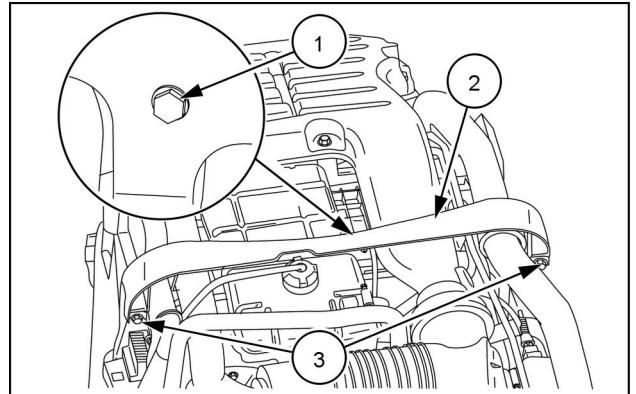
Failure to comply could result in death or serious injury.

W0129A

Prior operation:

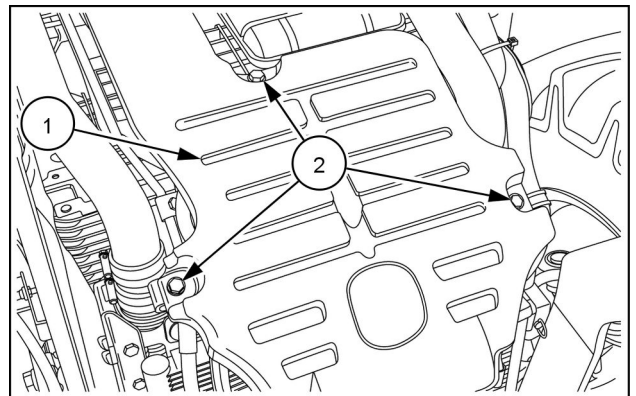
Hood - Remove (90.100)

1. Remove the bolt (1) and the bolts (3).
2. Remove the bracket (2).



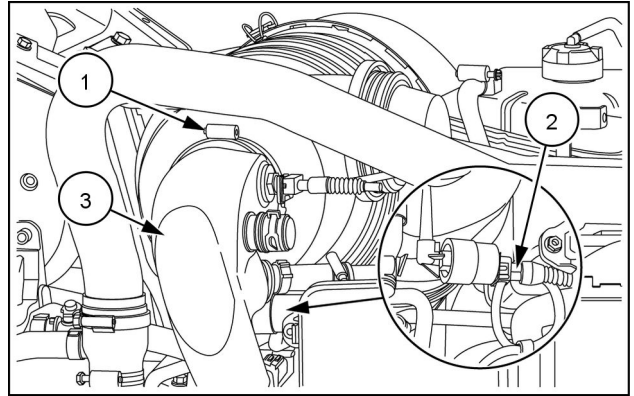
MOIL15TR00550AB 1

3. Remove the retaining bolts (2).
4. Remove the suction duct (1).



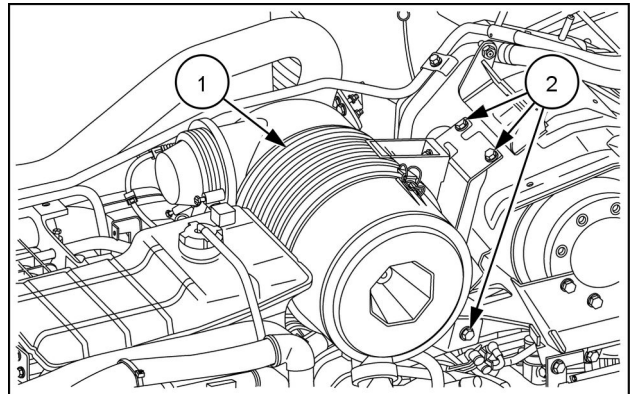
MOIL16TR02081AA 2

5. Remove the clamp (1) of the line (3) between the air cleaner housing and the turbocharger.
6. Disconnect the electrical connector of the air cleaner restriction switch (2).



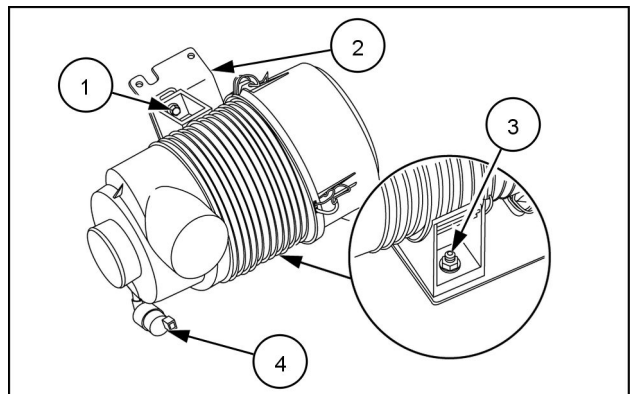
MOIL15TR00736AB 3

7. Remove the bolts (2).
8. Remove the air cleaner (1) together with the bracket and the air cleaner restriction switch.



MOIL15TR00737AA 4

9. Remove the retaining bolt (1) and the retaining bolt (3).
10. Remove the bracket (2).
11. Remove the air cleaner restriction switch (4).



MOIL15TR00738AB 5

Next operation:
Air cleaner - Install (10.202)

Air cleaner - Install

⚠ WARNING

Heavy objects!

Lift and handle all heavy components using lifting equipment with adequate capacity. Always support units or parts with suitable slings or hooks. Make sure the work area is clear of all bystanders.

Failure to comply could result in death or serious injury.

W0398A

⚠ WARNING

Avoid injury!

Handle all parts carefully. Do not place your hands or fingers between parts. Use Personal Protective Equipment (PPE) as indicated in this manual, including protective goggles, gloves, and safety footwear.

Failure to comply could result in death or serious injury.

W0208A

⚠ WARNING

Electrical shock hazard!

Before working on any part of the electrical system, disconnect the battery ground cable. Complete all electrical work before connecting the cable.

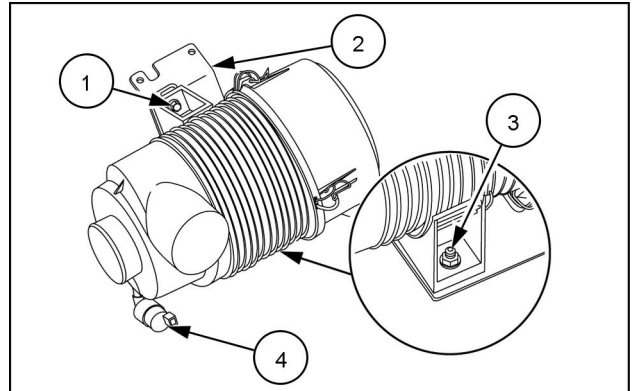
Failure to comply could result in death or serious injury.

W0129A

Prior operation:

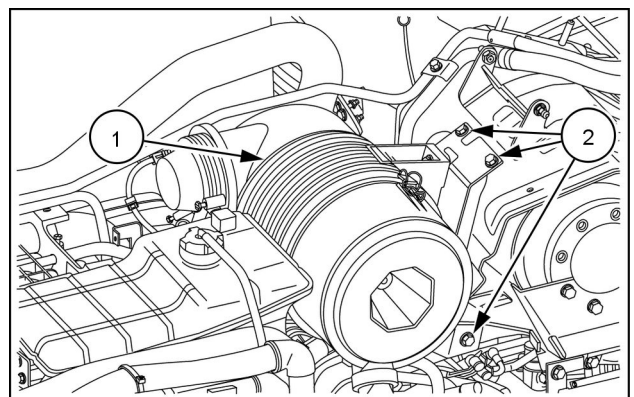
Air cleaner - Remove (10.202)

1. Install the air cleaner restriction switch (4).
2. Install the bracket (2).
3. Install the retaining bolt (1) and the retaining bolt (3).



MOIL15TR00738AB 1

4. Install the air cleaner (1) with the retaining bolts (2).



MOIL15TR00737AA 2



Suggest:

If the above button click is invalid.

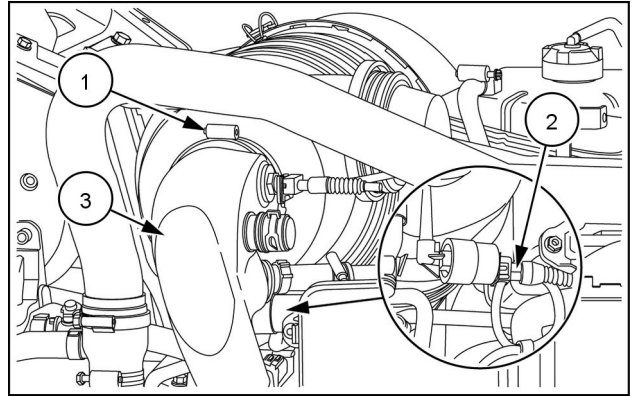
Please download this document

first, and then click the above link

to download the complete manual.

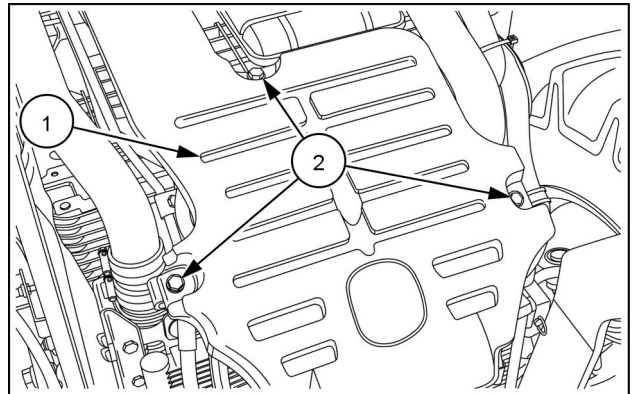
Thank you so much for reading

5. Connect the electrical connector of the air cleaner restriction switch (2).
6. Install the clamp (1) that connects the line (3) between the air cleaner housing and the turbocharger.



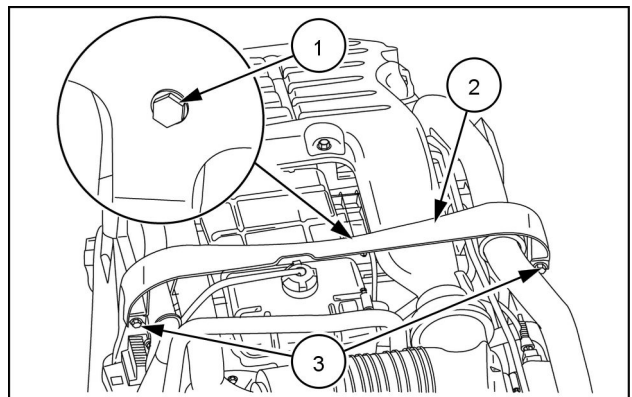
MOIL15TR00736AB 3

7. Install the air intake line (1).
8. Tighten the bolts (2).



MOIL16TR02081AA 4

9. Install the bracket (2).
10. Tighten the bolt (1) and the bolts (3).



MOIL15TR00550AB 5

Next operation:
Hood - Install (90.100)

<https://www.ebooklibonline.com>

Hello dear friend!

Thank you very much for reading.

Enter the link into your browser.

The full manual is available for immediate download.

<https://www.ebooklibonline.com>