

AXIAL-FLOW® 7240
AXIAL-FLOW® 8240
AXIAL-FLOW® 9240
Tier 4B (final)
Combine

From PIN YEG227001 to YFG230000;
From PIN YFG230001 to YGG233000;
From PIN YGG233001 to YHG235000

SERVICE MANUAL

Part number 48144050

2nd edition English

August 2017

Replaces part number 47800117

CASE IH
AGRICULTURE

Link Product / Engine

Product	Market Product	Engine
AXIAL-FLOW® 7240 Tier 4b (final) [YEG227001 - YFG230000]	North America	F3GFE613A*B001
AXIAL-FLOW® 7240 Tier 4b (final) [YFG230001 - YGG233000]	North America	F3GFE613A*B001
AXIAL-FLOW® 7240 Tier 4b (final) [YGG233001 - YHG235000]	North America	F3GFE613A*B001
AXIAL-FLOW® 8240 Tier 4b (final) [YEG227001 - YFG230000]	North America	F3HFE613A*B003
AXIAL-FLOW® 8240 Tier 4b (final) [YFG230001 - YGG233000]	North America	F3HFE613A*B003
AXIAL-FLOW® 8240 Tier 4b (final) [YGG233001 - YHG235000]	North America	F3HFE613A*B003
AXIAL-FLOW® 9240 Tier 4b (final) [YEG227001 - YFG230000]	North America	F3JFE613A*B001
AXIAL-FLOW® 9240 Tier 4b (final) [YFG230001 - YGG233000]	North America	F3JFE613A*B001
AXIAL-FLOW® 9240 Tier 4b (final) [YGG233001 - YHG235000]	North America	F3JFE613A*B001

Contents

INTRODUCTION

Engine.....	10
[10.001] Engine and crankcase	10.1
[10.202] Air cleaners and lines	10.2
[10.210] Lift pump and lines	10.3
[10.216] Fuel tanks	10.4
[10.254] Intake and exhaust manifolds and muffler	10.5
[10.304] Engine lubrication system.....	10.6
[10.310] Aftercooler.....	10.7
[10.400] Engine cooling system	10.8
[10.414] Fan and drive	10.9
[10.419] Stationary air screen	10.10
[10.450] Engine air compressor	10.11
[10.500] Selective Catalytic Reduction (SCR) exhaust treatment.....	10.12
Main gearbox and drive	14
[14.100] Main gearbox and drive	14.1
Transmission.....	21
[21.100] Mechanical transmission hydraulic components.....	21.1
[21.114] Mechanical transmission	21.2
[21.130] Mechanical transmission external controls.....	21.3
[21.145] Gearbox internal components.....	21.4
[21.182] Differential.....	21.5
Front axle system	25
[25.100] Powered front axle	25.1
[25.108] Final drive hub, steering knuckles, and shafts	25.2
[25.310] Final drives	25.3

<https://www.ebooklibonline.com>

Hello dear friend!

Thank you very much for reading.

Enter the link into your browser.

The full manual is available for immediate download.

<https://www.ebooklibonline.com>

Rear axle system	27
[27.100] Powered rear axle.....	27.1
[27.550] Non-powered rear axle.....	27.2
Hydrostatic drive	29
[29.100] Transmission and steering hydrostatic control.....	29.1
[29.134] Two-speed assembly.....	29.2
[29.202] Hydrostatic transmission.....	29.3
[29.218] Pump and motor components.....	29.4
[29.300] Rear hydrostatic transmission.....	29.5
Power Take-Off (PTO)	31
[31.146] Front Power Take-Off (PTO).....	31.1
Brakes and controls	33
[33.110] Parking brake or parking lock.....	33.1
[33.202] Hydraulic service brakes.....	33.2
Hydraulic systems	35
[35.000] Hydraulic systems.....	35.1
[35.102] Pump control valves.....	35.2
[35.106] Variable displacement pump.....	35.3
[35.220] Auxiliary hydraulic pump.....	35.4
[35.300] Reservoir, cooler, and filters.....	35.5
[35.350] Safety and main relief valves.....	35.6
[35.359] Main control valve.....	35.7
[35.410] Header or attachment height system.....	35.8
[35.440] Grain tank unload system.....	35.9
[35.518] Reel control system.....	35.10
[35.536] Crop processor system.....	35.11
[35.752] Hydraulic fan drive cooling system.....	35.12
[35.796] Chaff spreader control.....	35.13

Steering	41
[41.101] Steering control	41.1
[41.106] Tie rods.....	41.2
[41.200] Hydraulic control components.....	41.3
[41.216] Cylinders	41.4
[41.432] Autoguidance steering	41.5
Wheels	44
[44.511] Front wheels.....	44.1
Tracks and track suspension	48
[48.100] Tracks	48.1
[48.130] Track frame and driving wheels.....	48.2
[48.134] Track tension units	48.3
[48.138] Track rollers	48.4
Cab climate control	50
[50.100] Heating.....	50.1
[50.104] Ventilation	50.2
[50.200] Air conditioning.....	50.3
Electrical systems	55
[55.000] Electrical system	55.1
[55.010] Fuel injection system.....	55.2
[55.011] Fuel tank system	55.3
[55.012] Engine cooling system	55.4
[55.013] Engine oil system	55.5
[55.014] Engine intake and exhaust system.....	55.6
[55.015] Engine control system.....	55.7
[55.019] Hydrostatic drive control system	55.8
[55.020] Transmission speed sensors.....	55.9
[55.023] Transmission position sensors and switches	55.10

- [55.024] Transmission control system 55.11
- [55.030] Service brake electrical system 55.12
- [55.031] Parking brake electrical system 55.13
- [55.036] Hydraulic system control 55.14
- [55.046] Rear axle control system..... 55.15
- [55.047] Steering control system 55.16
- [55.050] Heating, Ventilation, and Air-Conditioning (HVAC) control system..... 55.17
- [55.100] Harnesses and connectors..... 55.18
- [55.201] Engine starting system 55.19
- [55.202] Cold start aid 55.20
- [55.301] Alternator..... 55.21
- [55.302] Battery..... 55.22
- [55.404] External lighting 55.23
- [55.405] External lighting switches and relays 55.24
- [55.408] Warning indicators, alarms, and instruments 55.25
- [55.421] Feeding control system 55.26
- [55.422] Ejection/Unloading control system 55.27
- [55.423] Cleaning control system..... 55.28
- [55.426] Harvest material flow control system..... 55.29
- [55.512] Cab controls..... 55.30
- [55.514] Cab lighting 55.31
- [55.518] Wiper and washer system..... 55.32
- [55.520] Cab harvesting controls 55.33
- [55.525] Cab engine controls 55.34
- [55.624] Residue handling control..... 55.35
- [55.628] Threshing electrical control 55.36
- [55.640] Electronic modules 55.37
- [55.662] Header height control 55.38

[55.670] Header leveling control.....	55.39
[55.675] Reel speed and position control.....	55.40
[55.680] Autopilot/Autoguidance	55.41
[55.780] Shaker shoe leveling system control.....	55.42
[55.834] Sieve electric control	55.43
[55.836] Rotary separator control	55.44
[55.988] Selective Catalytic Reduction (SCR) electrical system	55.45
[55.DTC] FAULT CODES.....	55.46
Product feeding	60
[60.105] Floating roll, feed chain, and drive	60.1
[60.110] Feeder housing.....	60.2
[60.112] Stone trapping system	60.3
[60.120] Header drive system	60.4
[60.150] Feeder drive system	60.5
Threshing	66
[66.000] Threshing	66.1
[66.101] Concave conveyor plate	66.2
[66.110] Concave control system.....	66.3
[66.260] Threshing mechanism drive system	66.4
[66.331] Rotor	66.5
Separation	72
[72.430] Separator grates	72.1
Residue handling.....	73
[73.210] Straw chopper drive system.....	73.1
[73.215] Straw chopper electro-magnetic clutch support.....	73.2
[73.230] Straw chopper.....	73.3
[73.430] Straw spreader.....	73.4
Cleaning	74

[74.000] Cleaning	74.1
[74.100] Self-leveling frame	74.2
[74.101] Cleaning drive systems	74.3
[74.110] Grain pan	74.4
[74.114] Upper shaker shoe	74.5
[74.118] Lower shaker shoe	74.6
[74.130] Fan housing	74.7
[74.136] Fan drive system	74.8
[74.140] Tailings return system	74.9
Crop storage / Unloading	80
[80.101] Clean grain elevator	80.1
[80.150] Grain tank	80.2
[80.175] Grain tank unload drive system	80.3
[80.180] Grain tank unload	80.4
Platform, cab, bodywork, and decals	90
[90.100] Engine hood and panels	90.1
[90.105] Machine shields and guards	90.2
[90.118] Protections and footboards	90.3
[90.124] Pneumatically-adjusted operator seat	90.4
[90.150] Cab	90.5
[90.151] Cab interior	90.6



INTRODUCTION

Safety rules


Personal safety





This is the safety alert symbol. It is used to alert you to potential personal injury hazards. Obey all safety messages that follow this symbol to avoid possible death or injury.

Throughout this manual you will find the signal words DANGER, WARNING, and CAUTION followed by special instructions. These precautions are intended for the personal safety of you and those working with you.

Read and understand all the safety messages in this manual before you operate or service the machine.

 DANGER indicates a hazardous situation that, if not avoided, will result in death or serious injury.

 WARNING indicates a hazardous situation that, if not avoided, could result in death or serious injury.

 CAUTION indicates a hazardous situation that, if not avoided, could result in minor or moderate injury.

FAILURE TO FOLLOW DANGER, WARNING, AND CAUTION MESSAGES COULD RESULT IN DEATH OR SERIOUS INJURY.

Machine safety

NOTICE: Notice indicates a situation that, if not avoided, could result in machine or property damage.

Throughout this manual you will find the signal word Notice followed by special instructions to prevent machine or property damage. The word Notice is used to address practices not related to personal safety.

Information

NOTE: Note indicates additional information that clarifies steps, procedures, or other information in this manual.

Throughout this manual you will find the word Note followed by additional information about a step, procedure, or other information in the manual. The word Note is not intended to address personal safety or property damage.

Safety rules - Ecology and the environment

Soil, air, and water quality is important for all industries and life in general. When legislation does not yet rule the treatment of some of the substances that advanced technology requires, sound judgment should govern the use and disposal of products of a chemical and petrochemical nature.

Familiarize yourself with the relative legislation applicable to your country, and make sure that you understand this legislation. Where no legislation exists, obtain information from suppliers of oils, filters, batteries, fuels, anti-freeze, cleaning agents, etc., with regard to the effect of these substances on man and nature and how to safely store, use, and dispose of these substances.

Helpful hints

- Avoid the use of cans or other inappropriate pressurized fuel delivery systems to fill tanks. Such delivery systems may cause considerable spillage.
- In general, avoid skin contact with all fuels, oils, acids, solvents, etc. Most of these products contain substances that may be harmful to your health.
- Modern oils contain additives. Do not burn contaminated fuels and or waste oils in ordinary heating systems.
- Avoid spillage when you drain fluids such as used engine coolant mixtures, engine oil, hydraulic fluid, brake fluid, etc. Do not mix drained brake fluids or fuels with lubricants. Store all drained fluids safely until you can dispose of the fluids in a proper way that complies with all local legislation and available resources.
- Do not allow coolant mixtures to get into the soil. Collect and dispose of coolant mixtures properly.
- The air-conditioning system contains gases that should not be released into the atmosphere. Consult an air-conditioning specialist or use a special extractor to recharge the system properly.
- Repair any leaks or defects in the engine cooling system or hydraulic system immediately.
- Do not increase the pressure in a pressurized circuit as this may lead to a component failure.
- Protect hoses during welding. Penetrating weld splatter may burn a hole or weaken hoses, allowing the loss of oils, coolant, etc.

Battery recycling

Batteries and electric accumulators contain several substances that can have a harmful effect on the environment if the batteries are not properly recycled after use. Improper disposal of batteries can contaminate the soil, groundwater, and waterways. CASE IH strongly recommends that you return all used batteries to a CASE IH dealer, who will dispose of the used batteries or recycle the used batteries properly. In some countries, this is a legal requirement.



Mandatory battery recycling

NOTE: *The following requirements are mandatory in Brazil.*

Batteries are made of lead plates and a sulfuric acid solution. Because batteries contain heavy metals such as lead, CONAMA Resolution 401/2008 requires you to return all used batteries to the battery dealer when you replace any batteries. Do not dispose of batteries in your household garbage.

Points of sale are obliged to:

- Accept the return of your used batteries
- Store the returned batteries in a suitable location
- Send the returned batteries to the battery manufacturer for recycling

Safety rules Repair and maintenance

All repair and maintenance works listed in this manual must be carried out only by qualified dealership personnel, strictly complying with the instructions given; and using, whenever possible, the special tools.

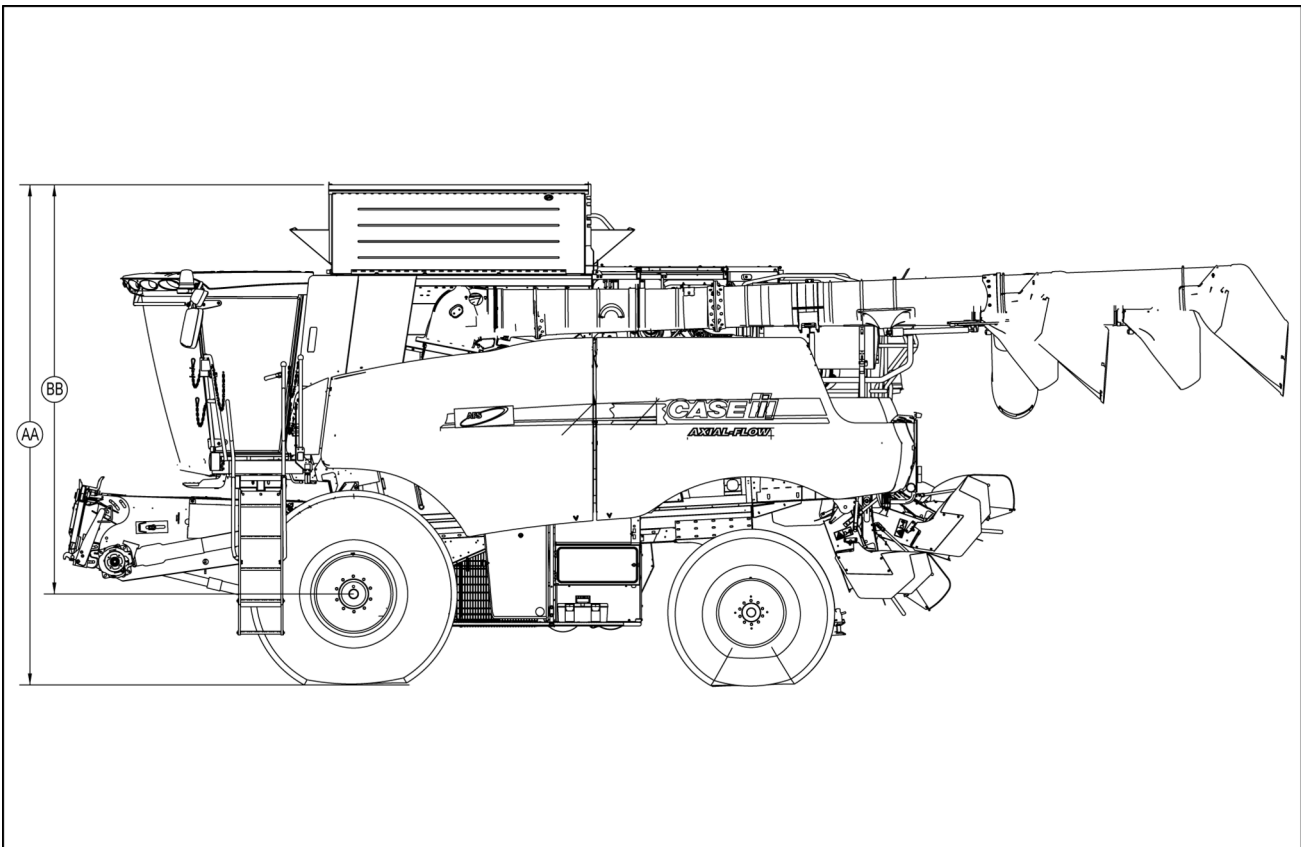
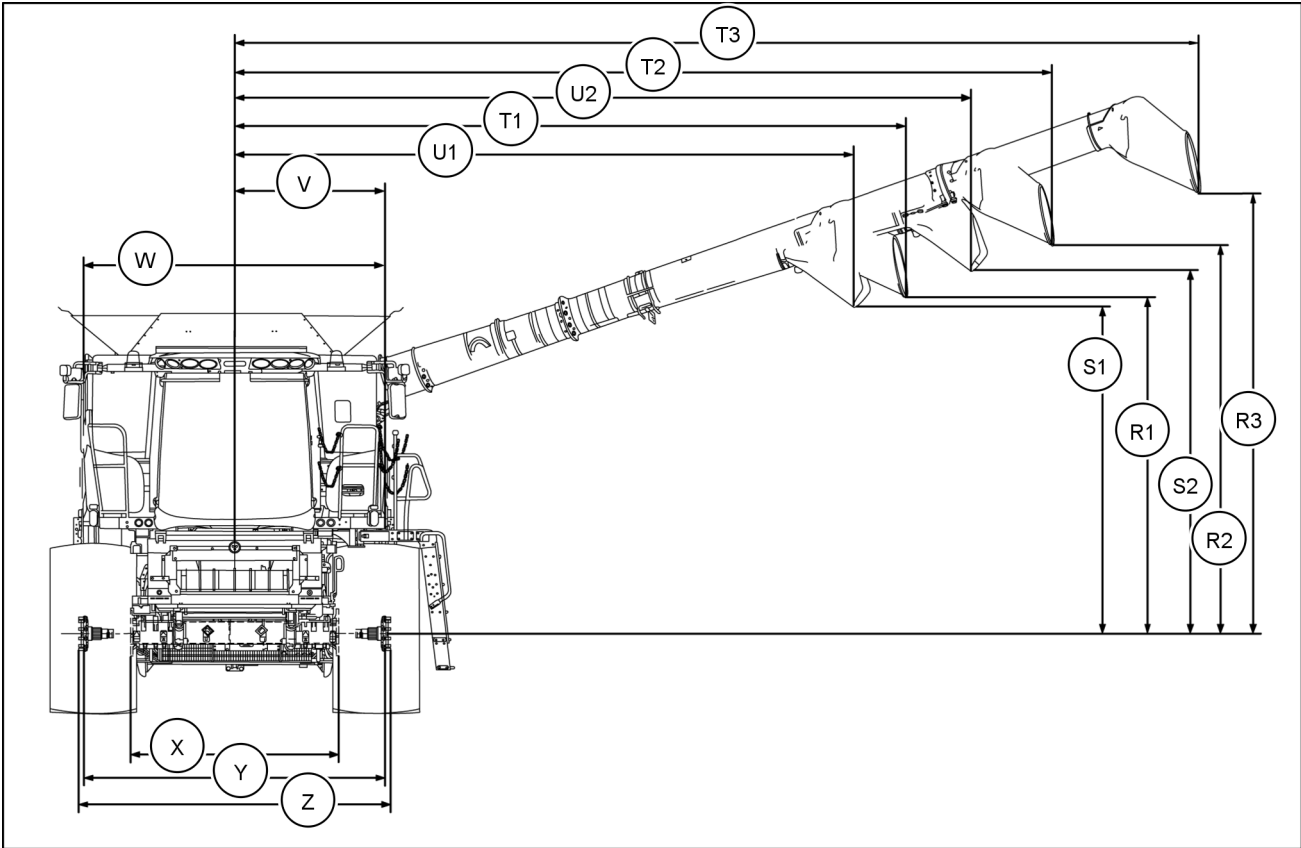
Anyone who carries out the above operations without complying with the procedures shall be responsible for the subsequent damages.

The manufacturer and all the organizations of its distribution chain, including - without limitation - national, regional, or local dealers, reject any responsibility for damages due to the anomalous behavior of parts and/or components not approved by the manufacturer himself, including those used for the servicing or repair of the product manufactured or marketed by the manufacturer. In any case, no warranty is given or attributed on the product manufactured or marketed by the manufacturer in case of damages due to an anomalous behavior of parts and/or components not approved by the manufacturer.

The information in this manual is up-to-date at the date of the publication. It is the policy of the manufacturer for continuous improvement. Some information could not be updated due to modifications of a technical or commercial type, as well as to suit the laws and regulations of different countries.

In case of questions, refer to your Sales and Service Networks.

INTRODUCTION





SERVICE MANUAL

Engine

AXIAL-FLOW® 7240 Tier 4b (final) [YEG227001 - YFG230000], AXIAL-FLOW® 7240 Tier 4b (final) [YFG230001 - YGG233000], AXIAL-FLOW® 7240 Tier 4b (final) [YGG233001 - YHG235000], AXIAL-FLOW® 8240 Tier 4b (final) [YEG227001 - YFG230000], AXIAL-FLOW® 8240 Tier 4b (final) [YFG230001 - YGG233000], AXIAL-FLOW® 8240 Tier 4b (final) [YGG233001 - YHG235000], AXIAL-FLOW® 9240 Tier 4b (final) [YEG227001 - YFG230000], AXIAL-FLOW® 9240 Tier 4b (final) [YFG230001 - YGG233000], AXIAL-FLOW® 9240 Tier 4b (final) [YGG233001 - YHG235000]

Engine - Remove - Cursor 11 and 13

AXIAL-FLOW® 7240	NA
AXIAL-FLOW® 8240	NA

⚠ WARNING

Avoid injury! Always do the following before lubricating, maintaining, or servicing the machine.

1. Disengage all drives.
2. Engage parking brake.
3. Lower all attachments to the ground, or raise and engage all safety locks.
4. Shut off engine.
5. Remove key from key switch.
6. Switch off battery key, if installed.
7. Wait for all machine movement to stop.

Failure to comply could result in death or serious injury.

W0047A

⚠ WARNING

Heavy objects!

Lift and handle all heavy components using lifting equipment with adequate capacity. Always support units or parts with suitable slings or hooks. Make sure the work area is clear of all bystanders.

Failure to comply could result in death or serious injury.

W0398A

Prior operation:

Remove the oil drain hose. See **Engine - Remove engine oil drain line and drain valve (10.001)**

Prior operation:

Radiator - Drain fluid (10.400)

Prior operation:

Deaeration tank - Remove (10.400)

Prior operation:

Engine hood and panels - Remove (90.100)

Prior operation:

Radiator hoses - Remove (10.400)

Prior operation:

Central wiring harness - Remove (55.100)

Prior operation:

Aftercooler air supply and return lines - Remove air supply tube (10.310)

Prior operation:

Aftercooler air supply and return lines - Remove air return tube (10.310)

Prior operation:

Air cleaner connection between filter and engine - Remove (10.202)

Prior operation:

Connection tube from filter to muffler - Remove (10.202)

Prior operation:

Fan and drive - Remove (10.414)

Prior operation:

Air-conditioning compressor - Remove (50.200)

Prior operation:

Fuel supply lines Low pressure - Remove from the engine (10.210)

Prior operation:

Fuel return lines - Remove from the engine (10.210)

Prior operation:

Exhaust muffler - Remove mixer tube (10.254)

Prior operation:

Exhaust muffler - Remove exhaust tube from turbo charger to Diesel Oxidation Catalyst (DOC) (10.254)

Prior operation:

Diesel Exhaust Fluid (DEF)/AdBlue®/ARLA lines - Remove DEF hose bundle from the engine compartment (10.500)

Prior operation:

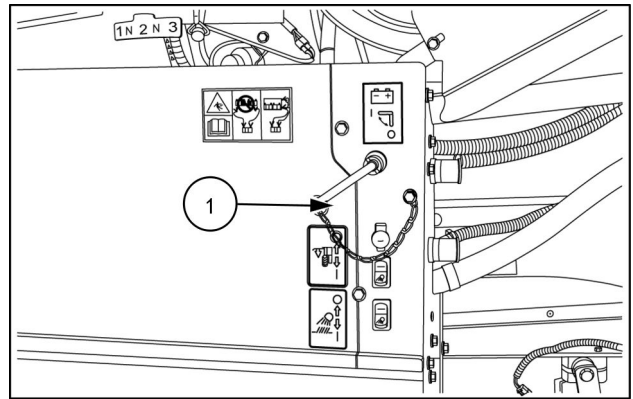
Selective Catalytic Reduction (SCR) muffler and catalyst - Remove (10.500)

Prior operation:

Diesel Oxidation Catalyst (DOC) - Remove (10.500)

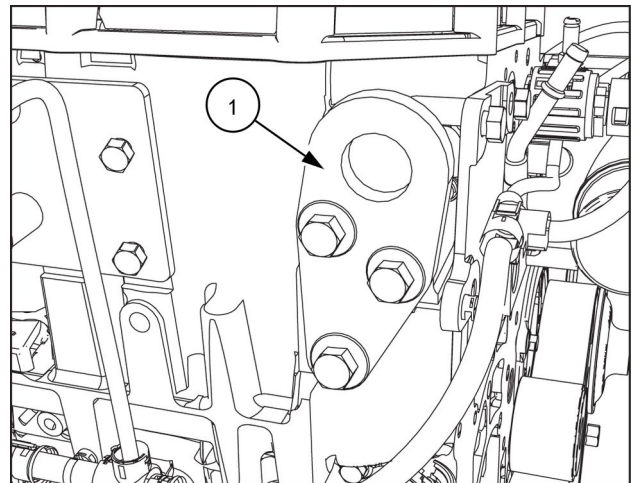
NOTE: Illustrations are for reference only. It may not be the actual engine.

1. Disengage the battery connect switch (1).



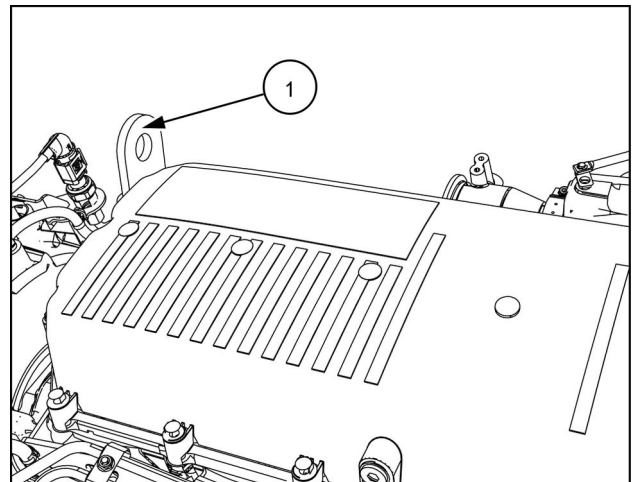
NHIL13AF00586AA 1

2. Attach a suitable lift chain to the front lift eye (1) at the front of the engine.



NHIL14AF00431AA 2

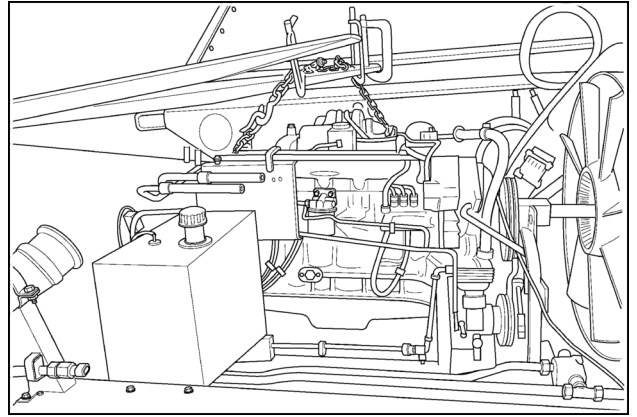
3. Attach a suitable lift chain to the back lift eye (1) at the rear of the engine.



NHIL14AF00432AA 3

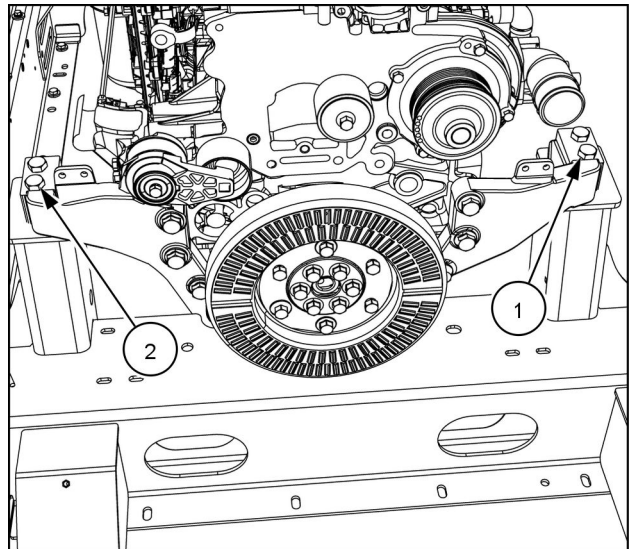
4. Connect the lift chain to a suitable lifting device.
5. Raise the lifting device enough to support the engine during removal of the engine mounting bolts.

NOTE: The lifting device should be rated for at least **907.2 kg (2000 lb)**. Allow enough clearance to lift the engine from the combine, approximately **7.0 m (23 ft)** from the floor.



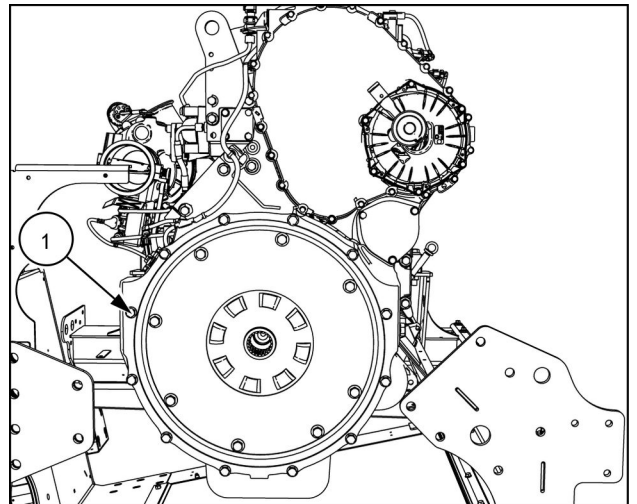
10013136 4

6. From the grain tank side of the engine, loosen the front, engine mounting bolts (1). Do not remove the mounting bolts at this time.
7. From the platform side, loosen the front, engine mounting bolts (2). Do not remove the mounting bolts at this time.



NHIL14AF01001AA 5

8. From the rear of the engine, loosen but do not remove all the bolts and washers (1) that couple the engine to the gearbox. There are twelve bolts and washers in total.
9. For safety reasons to the radiators, place a sheet of plywood, cut to size, in front of the cooler box for protection.
10. With the engine securely supported by the lifting device, remove all of the engine mounting bolts and the engine to the gearbox coupling bolts that were loosened in the previous steps.
11. Slide the engine towards the cooler box to disengage the flex plate from the gearbox input shaft.
12. Carefully lift the engine from the frame and remove from the combine.



NHIL14AF01004AA 6

Next operation:
Engine - Install - Cursor 11 and 13 (10.001) .

Engine - Install - Cursor 11 and 13

AXIAL-FLOW® 7240
AXIAL-FLOW® 8240

NA
NA

⚠ WARNING

Avoid injury! Always do the following before lubricating, maintaining, or servicing the machine.

1. Disengage all drives.
2. Engage parking brake.
3. Lower all attachments to the ground, or raise and engage all safety locks.
4. Shut off engine.
5. Remove key from key switch.
6. Switch off battery key, if installed.
7. Wait for all machine movement to stop.

Failure to comply could result in death or serious injury.

W0047A

⚠ WARNING

Heavy objects!

Lift and handle all heavy components using lifting equipment with adequate capacity. Always support units or parts with suitable slings or hooks. Make sure the work area is clear of all bystanders.

Failure to comply could result in death or serious injury.

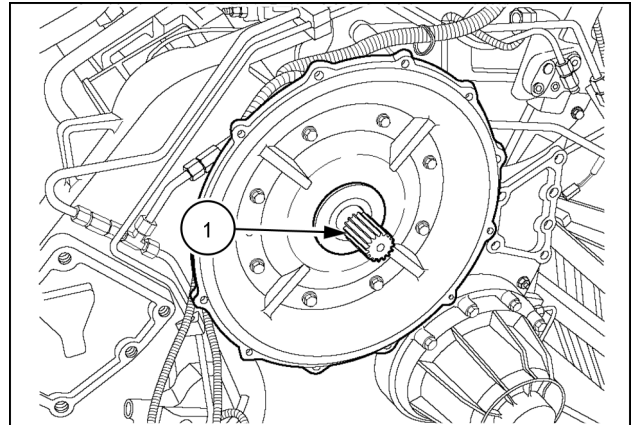
W0398A

Prior operation:

Engine - Remove - Cursor 11 and 13 (10.001)

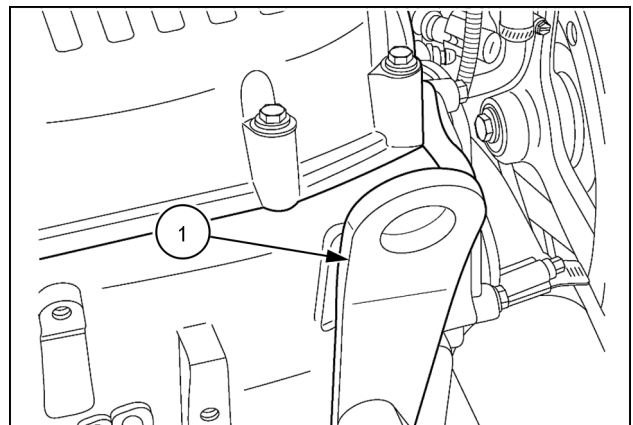
NOTE: Illustrations are for reference only. It may not be the actual engine.

1. Before installing the engine, apply **LOCTITE® SILVER GRADE ANTI-SEIZE** to the input shaft (1) of the gearbox.



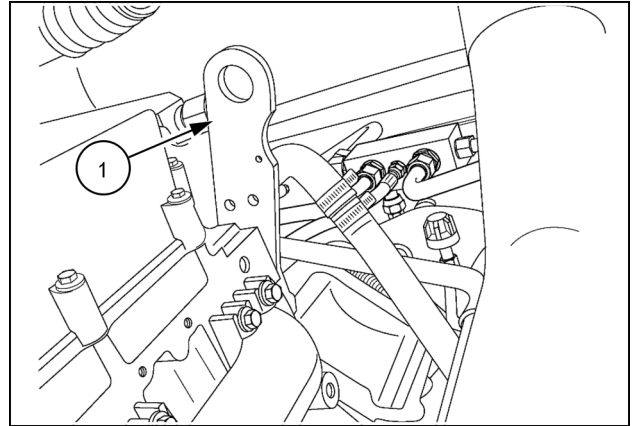
83070284 1

2. Attach a suitable chain to the front lift eye (1) at the front of the engine.



86070259 2

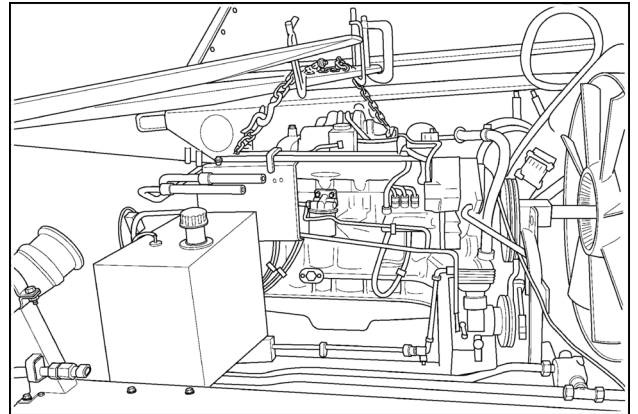
3. Attach a suitable chain to the back lift eye **(1)** at the rear of the engine.



86070260 3

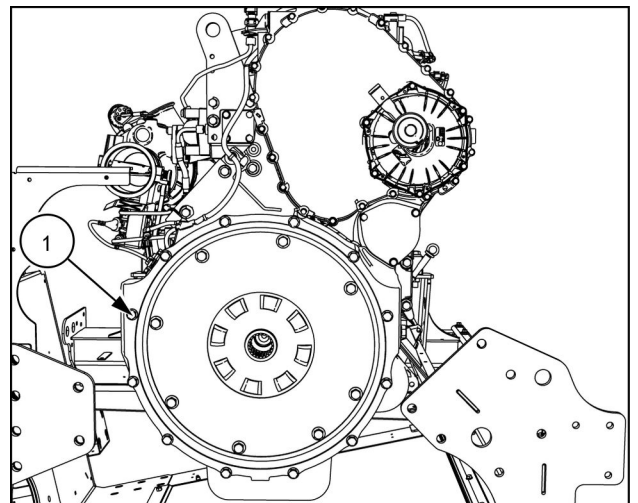
4. Connect the lift chain to a suitable lifting device.
5. Carefully lift the engine above the combine and lower into position in the frame.

NOTE: The lifting device should be rated for at least **907.2 kg (2000 lb)**. Allow enough clearance to lift the engine from the combine, approximately **907.2 kg (2000 lb)** from the floor.



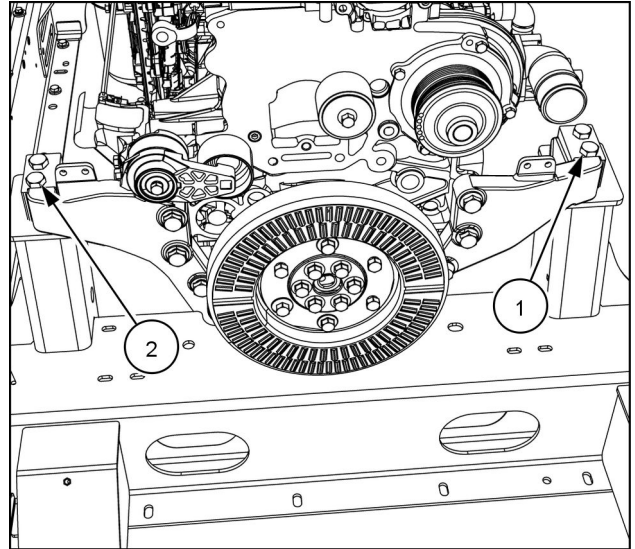
10013136 4

6. For safety reasons to the radiator, place a sheet of plywood, cut to size, in front of the radiator for protection.
7. Slide the engine towards the gearbox onto the gear box input shaft.
8. Align the holes of the gearbox with the engine and hand start a bolt with a washer **(1)** on each side of the coupling, going back and forth until all bolts with washers are installed.



NHIL14AF01004AA 5

9. With the engine positioned in the frame, align the front mounting hole on the grain tank side and install the bolt with washers (1) into the mount. Do not tighten yet.
10. Align the front mounting hole on the platform side. Install the bolt with washers (1) into the mount.
11. Tighten and torque the front engine mounting bolts to **217 Nm (160.1 lb ft)**.
12. Tighten and torque the engine gearbox bolts to **41 – 51 Nm (30.2 – 37.6 lb ft)**.



NHIL14AF01001AA 6

Next Operations

Central wiring harness - Install (55.100)

Diesel Oxidation Catalyst (DOC) - Install (10.500)

Selective Catalytic Reduction (SCR) muffler and catalyst - Install (10.500)

Diesel Exhaust Fluid (DEF)/AdBlue®/ARLA lines - Remove DEF hose bundle from the engine compartment (10.500)

Deaeration tank - Install (10.400)

Radiator hoses - Install (10.400)

Radiator - Filling (10.400)

Aftercooler air supply and return lines - Install air return tube (10.310)

Aftercooler air supply and return lines - Install air supply tube (10.310)

Exhaust muffler - Install exhaust tube from turbo charger to Diesel Oxidation Catalyst (DOC) (10.254)

Exhaust muffler - Install mixer tube (10.254)

Fuel return lines - Install to the engine (10.210)

Fuel supply lines Low pressure - Install to the engine (10.210)

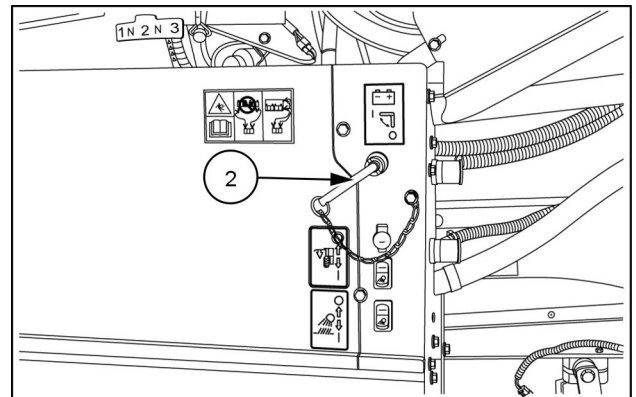
Fan and drive - Install (10.414)

Air conditioning - Service instruction (50.200)

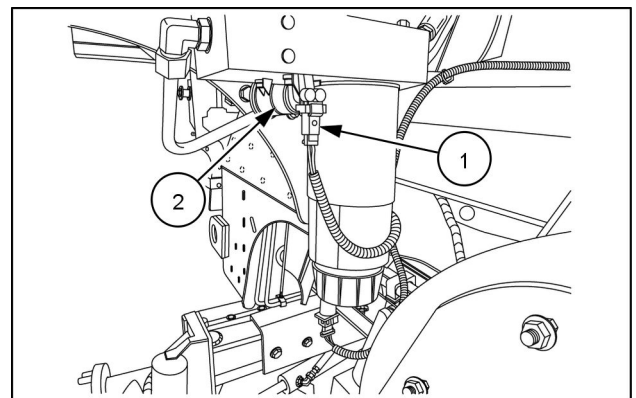
Air cleaner connection between filter and engine - Install (10.202)

Engine hood and panels - Install (90.100)

13. Engage the battery connect switch (1).



14. Disconnect the fuel pump wire connector (1) to disable the fuel pump (2).



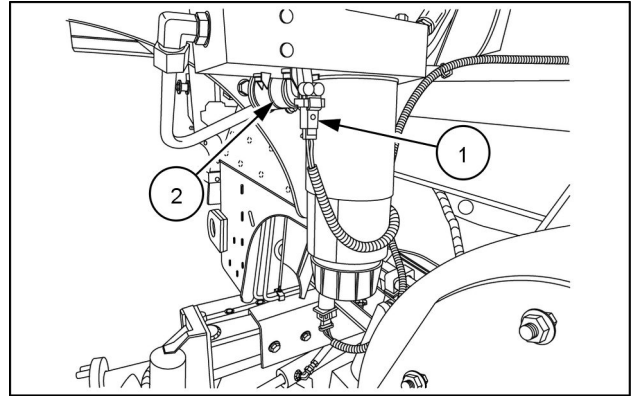
15. Check the engine oil level and top off if necessary.

16. Crank the engine over for three ten second intervals. This will distribute lubricating oil to the engine operating systems and will allow oil pressure to be built before starting the engine.

17. Connect the fuel pump wire connector (1) to the fuel pump (2) and bleed the air from fuel injection system, as described in the Operators manual.
18. Start the engine and check all hoses, fittings and clamps for leaks.

NOTICE: Monitor the instrument warning light bar at all times during initial engine start up to ensure the engine has proper oil pressure. Shut down the engine immediately if oil pressure is not adequate.

19. Ensure all electrical components are working properly.



NHIL14AF00745AA 9



Suggest:

If the above button click is invalid.

Please download this document

first, and then click the above link

to download the complete manual.

Thank you so much for reading

Engine - Remove - Cursor 16

AXIAL-FLOW® 9240

NA

⚠ WARNING

Avoid injury! Always do the following before lubricating, maintaining, or servicing the machine.

1. Disengage all drives.
 2. Engage parking brake.
 3. Lower all attachments to the ground, or raise and engage all safety locks.
 4. Shut off engine.
 5. Remove key from key switch.
 6. Switch off battery key, if installed.
 7. Wait for all machine movement to stop.
- Failure to comply could result in death or serious injury.

W0047A

⚠ WARNING

Heavy objects!

Lift and handle all heavy components using lifting equipment with adequate capacity. Always support units or parts with suitable slings or hooks. Make sure the work area is clear of all bystanders.

Failure to comply could result in death or serious injury.

W0398A

Prior operation:

Engine hood and panels - Remove (90.100)

Prior operation:

Central wiring harness - Remove (55.100)

Prior operation:

Fan and drive - Remove (10.414)

Prior operation:

Air conditioning - Service instruction (50.200)

Prior operation:

Air intake system - Remove (10.202)

Prior operation:

Fuel supply lines Low pressure - Remove from the engine (10.210)

Prior operation:

Fuel return lines - Remove from the engine (10.210)

Prior operation:

Exhaust muffler - Remove mixer tube (10.254)

Prior operation:

Exhaust muffler - Remove exhaust tube from turbo charger to Diesel Oxidation Catalyst (DOC) (10.254)

Prior operation:

Aftercooler air supply and return lines - Remove air supply tube (10.310)

Prior operation:

Aftercooler air supply and return lines - Remove air return tube (10.310)

Prior operation:

Radiator - Drain fluid (10.400)

Prior operation:

Radiator hoses - Remove (10.400)

Prior operation:

Deaeration tank - Remove (10.400)

Prior operation:

Diesel Exhaust Fluid (DEF)/AdBlue®/ARLA lines - Remove (10.500)

Prior operation:

Selective Catalytic Reduction (SCR) muffler and catalyst - Remove (10.500)

Prior operation:

Diesel Oxidation Catalyst (DOC) - Remove (10.500)

NOTE: Illustrations are for reference only. It may not be the actual engine.

<https://www.ebooklibonline.com>

Hello dear friend!

Thank you very much for reading.

Enter the link into your browser.

The full manual is available for immediate download.

<https://www.ebooklibonline.com>