

570LXT Loader/ Loader Landscaper

Operators Manual

Bur 9-25895

Reprinted

The CASE logo is located on a dark grey vertical bar on the right side of the page. It consists of the word "CASE" in a bold, italicized, sans-serif font, with a horizontal line underneath it.



*This symbol means **ATTENTION! BECOME ALERT! YOUR SAFETY IS INVOLVED.** The message that follows the symbol contains important information about your safety. Carefully read the message. Make sure you fully understand the causes of possible injury or death.*

SB001

IF THIS MACHINE IS USED BY AN EMPLOYEE, IS LOANED, OR IS RENTED, MAKE SURE THAT THE OPERATOR UNDERSTANDS THE TWO INSTRUCTIONS BELOW.

BEFORE THE OPERATOR STARTS THE ENGINE:

1. GIVE INSTRUCTIONS TO THE OPERATOR ON SAFE AND CORRECT USE OF THE MACHINE.
2. MAKE SURE THE OPERATOR READS AND UNDERSTANDS THE OPERATOR'S MANUAL FOR THIS MACHINE.



IMPROPER OPERATION OF THIS MACHINE CAN CAUSE INJURY OR DEATH.

BEFORE STARTING THE ENGINE, DO THE FOLLOWING:

1. READ THE OPERATOR'S MANUAL.
2. READ ALL SAFETY DECALS ON THE MACHINE.
3. CLEAR THE AREA OF OTHER PERSONS.

LEARN AND PRACTICE SAFE USE OF MACHINE CONTROLS IN A SAFE, CLEAR AREA BEFORE YOU OPERATE THIS MACHINE ON A JOB SITE.

It is your responsibility to observe pertinent laws and regulations and to follow manufacturer's instructions on machine operation and maintenance.

See your Authorized Case dealer for additional operator's manuals, parts catalogs, and service manuals.

TABLE OF CONTENTS

TO THE OWNER	1
AFTER DELIVERY CHECK	2
RIGHT, LEFT, FRONT AND REAR OF MACHINE	2
IDENTIFICATION NUMBERS	3
MACHINE COMPONENTS	6 through 9
SAFETY / DECALS / HAND SIGNALS	11
SAFETY RULES	11
BEFORE OPERATION	12
MACHINE OPERATION	14
PARKING THE MACHINE	16
BURN PREVENTION	16
FIRE OR EXPLOSION PREVENTION	17
MAINTENANCE	18
WHEEL AND TIRE MAINTENANCE	20
ROLL-OVER PROTECTION STRUCTURE	20
CAST DUCTILE IRON	21
SAFETY DECALS	22
HAND SIGNALS.....	29
INSTRUMENTS AND CONTROLS	33
MACHINE CONTROLS	35
LOADER CONTROLS	46
THREE-POINT HITCH CONTROLS	48
STANDARD SEAT	50
SUSPENSION SEAT	51
SEAT BELTS	53
CAB CONTROLS (If Equipped)	54
OPERATING INSTRUCTIONS	59
RUN-IN PERIOD OF A NEW MACHINE	59
ENGINE OPERATION	60
ENGINE STARTING AIDS	63
MACHINE OPERATION	67
TOWING A DISABLED MACHINE	72
OPERATING IN COLD WEATHER	75
OPERATING IN HOT WEATHER	76
LOADER OPERATION.....	77
THREE POINT HITCH OPERATION	83
WHEELS/TIRES	85

TRIM THIS EDGE

<https://www.ebooklibonline.com>

Hello dear friend!

Thank you very much for reading.

Enter the link into your browser.

The full manual is available for immediate download.

<https://www.ebooklibonline.com>

LUBRICATION / MAINTENANCE CHARTS	89
GENERAL SAFETY BEFORE YOU SERVICE	89
ENGINE HOURMETER	89
SUPPORT STRUT FOR LOADER LIFT ARMS	90
FLUIDS AND LUBRICANTS	91
LUBRICATION/MAINTENANCE CHART	92, 93
SYSTEMGARD LUBRICATION ANALYSIS PROGRAM	94
ENVIRONMENT	94
LUBRICATION/FILTERS/FLUIDS	95
OPENING THE ENGINE HOOD	95
LOADER GREASE FITTINGS	96
THREE POINT HITCH GREASE FITTINGS	98
MACHINE GREASE FITTINGS	99
FLUID LEVELS	104
ENGINE OIL RECOMMENDATIONS	106
ENGINE SERVICE SPECIFICATIONS	107
AIR FILTER SYSTEM	110
ENGINE COOLING SYSTEM	114
DIESEL FUEL SYSTEM	117
HYDRAULIC SYSTEM	121
TRANSMISSION	124
REAR AXLE	126
FRONT FOUR WHEEL DRIVE AXLE	129
CAB AIR FILTER	131
MAINTENANCE AND ADJUSTMENTS	133
LOADER RETURN-TO-DIG ADJUSTMENT	133
ETHER STARTING AID	134
FAN DRIVE BELT REPLACEMENT	135
PLASTIC AND RESIN PARTS	135
SPARK ARRESTER MUFFLER (IF EQUIPPED)	136
RIDE CONTROL ACCUMULATOR	137
CAB AIR CONDITIONING	138
ROLL-OVER PROTECTIVE STRUCTURE	139
FIRE EXTINGUISHER	144
ELECTRICAL SYSTEM	145
BATTERIES	145
LAMP REPLACEMENT	147
INSTRUMENT CLUSTER	149
FUSES	150

MACHINE STORAGE	151
REMOVAL FROM STORAGE	152
SPECIFICATIONS	153
ENGINE DATA	153
BOLT TORQUES	153
MAIN RELIEF VALVE PRESSURES	154
TRAVEL SPEEDS	154
OPERATING WEIGHTS	155
LOADER BUCKETS	155
BASIC MACHINE DIMENSIONS	156
LOADER OPERATING DATA AND DIMENSIONS	157, 158
THREE- POINT HITCH LIFT CAPACITIES	160
AFTER DELIVERY CHECK	161, 163
ALPHABETICAL INDEX	165

TRIM THIS EDGE

TO THE OWNER

This manual contains important information about the safe operation, adjustment, service and maintenance of your Case machine. Do not operate or permit anyone else to operate or service this machine until you or the other persons have read this manual. Use only trained operators who have demonstrated the ability to operate and service this machine correctly and safely.



TRIM THIS EDGE

This machine, with standard attachments and equipment, is intended to be used as a tool carrier and for general earth moving purposes, such as landscaping, truck loading, and material rehandling.

Do not use this machine for any application or purpose other than those described in this manual. Unauthorized modifications can cause serious injury or death. Anyone making such unauthorized modifications is responsible for the consequences.

This operator's manual is to be stored in the compartment in front of the steering wheel and is attached with a lanyard. Make sure this manual is complete and in good condition. Contact your Case dealer to obtain additional manuals.

Contact your authorized Case dealer for any further information about this machine. Your Case dealer has genuine Case parts and service which is your guarantee of Quality and Performance.

Case Corporation
Racine, WI, U.S.A.

TO THE OWNER _____

AFTER DELIVERY CHECK

Two copies of the After Delivery Check are in the back of this manual. One copy is for you and one copy is for the dealer. Make sure that your dealer does the After Delivery Check after the first 20 hours of machine operation.

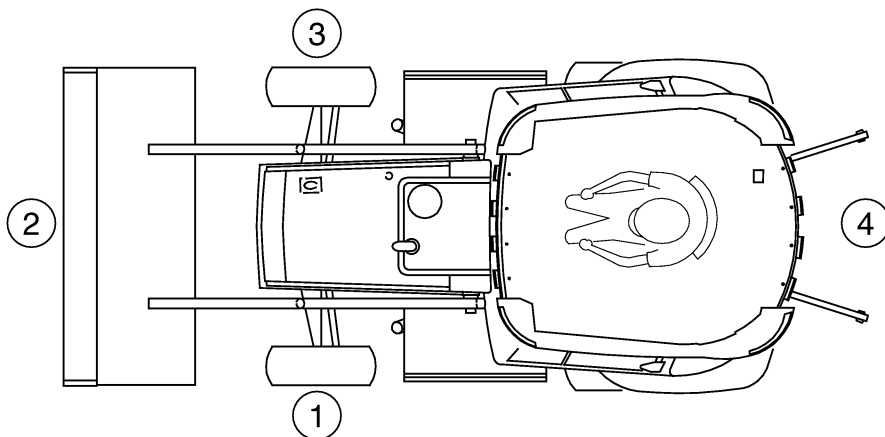
NOTE: *Your cost for this inspection will be for filters, oil, or other accessories. If the dealer comes to your machine, there can also be a cost for the time and distance.*

RIGHT, LEFT, FRONT AND REAR OF MACHINE

Right-hand and left-hand, front, and rear, when used in this manual, indicate the right and left sides of the machine as seen from the operators seat.

Basic Machine and Loader

TRIM THIS EDGE



1. Left-Hand 2. Front 3. Right-Hand 4. Rear

B9412079T

TO THE OWNER

IDENTIFICATION NUMBERS

Write the Product Identification Number (P.I.N.) and the engine serial number on the lines provided below. If needed, give these numbers to your Case dealer when you need parts or information for your machine. Keep a record of these numbers and your Manufacturers Statement of Origin in a safe place. If the machine is stolen, report the numbers to your local law enforcement agency.

MACHINE MODEL NUMBER _____

PRODUCT IDENTIFICATION NUMBER _____

ENGINE SERIAL NUMBER _____

ROPS CAB _____

ROPS CANOPY _____

TRANSMISSION _____

REAR AXLE _____

FRONT DRIVE AXLE

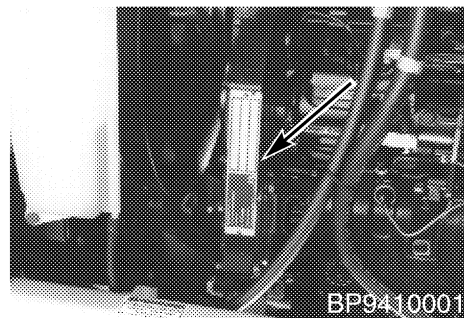
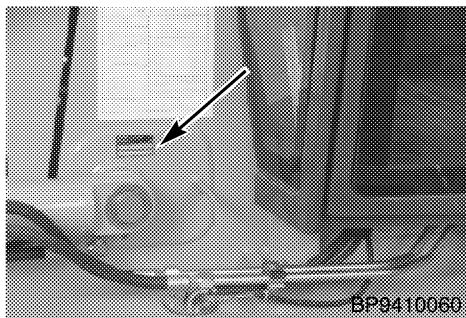
(Four Wheel Drive Machines) _____

4-IN-1 LOADER BUCKET (Part Number) _____

STANDARD LOADER BUCKET (Part Number) _____

P.I.N.

Engine Serial Number



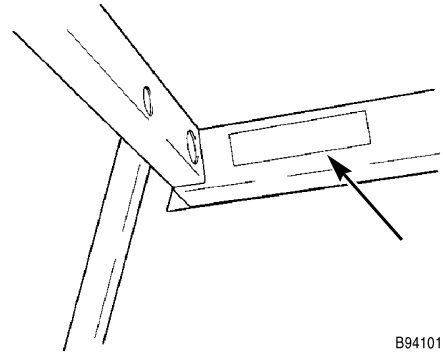
TRIM THIS EDGE

TO THE OWNER _____

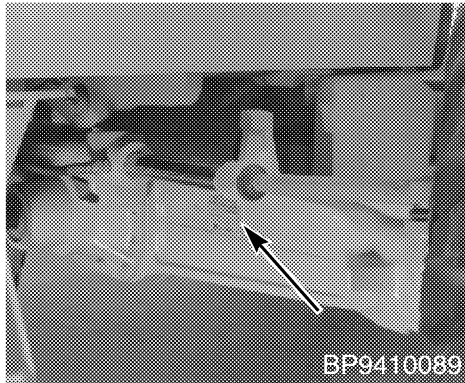
ROPS Cab



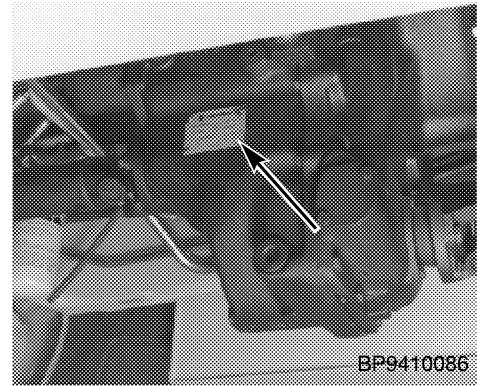
ROPS Canopy



Front Drive Axle (Four Wheel Drive Machines)

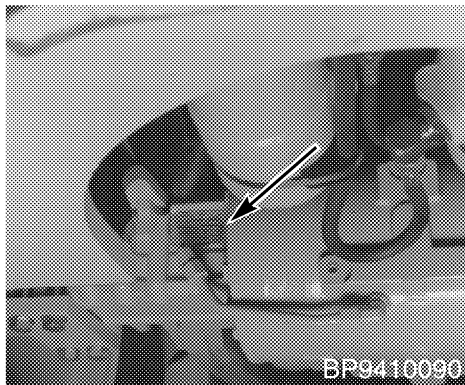


Transmission



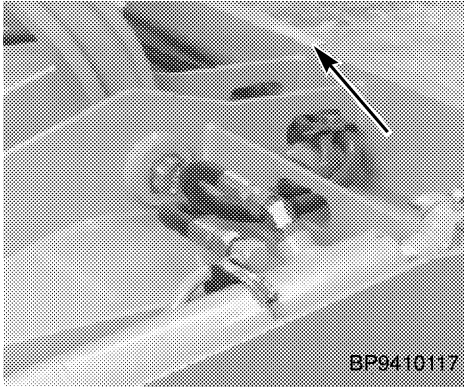
TRIM THIS EDGE

Rear Axle

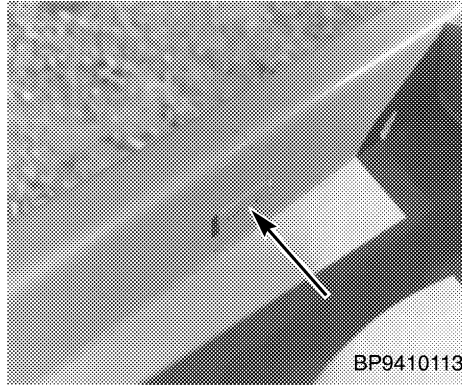


TO THE OWNER

**4-In-1 Loader Bucket
(Part Number)**



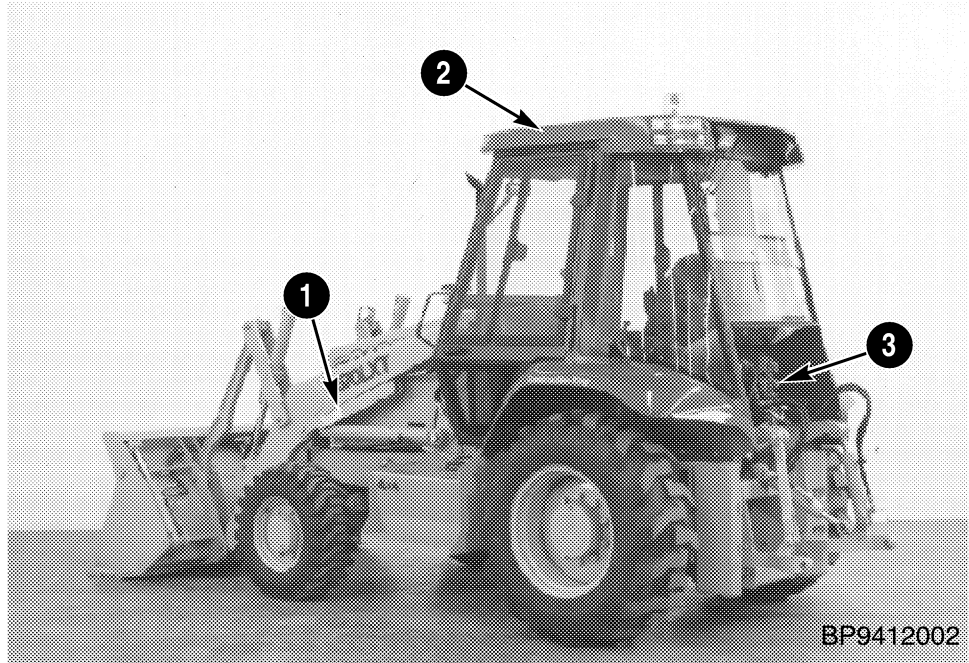
**Standard Loader Bucket
(Part Number)**



TRIM THIS EDGE

TO THE OWNER _____

MACHINE COMPONENTS



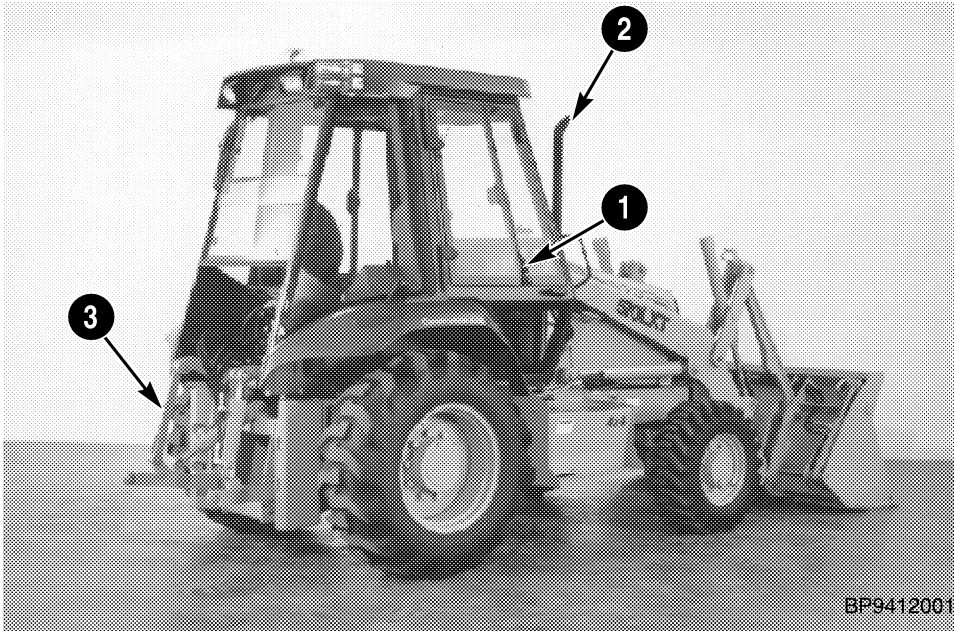
TRIM THIS EDGE

1. Lift Arm Support Strut
2. ROPS Cab

3. Three Point Hitch Control Valve

TO THE OWNER

MACHINE COMPONENTS (Cont'd)



1. Loader Controls

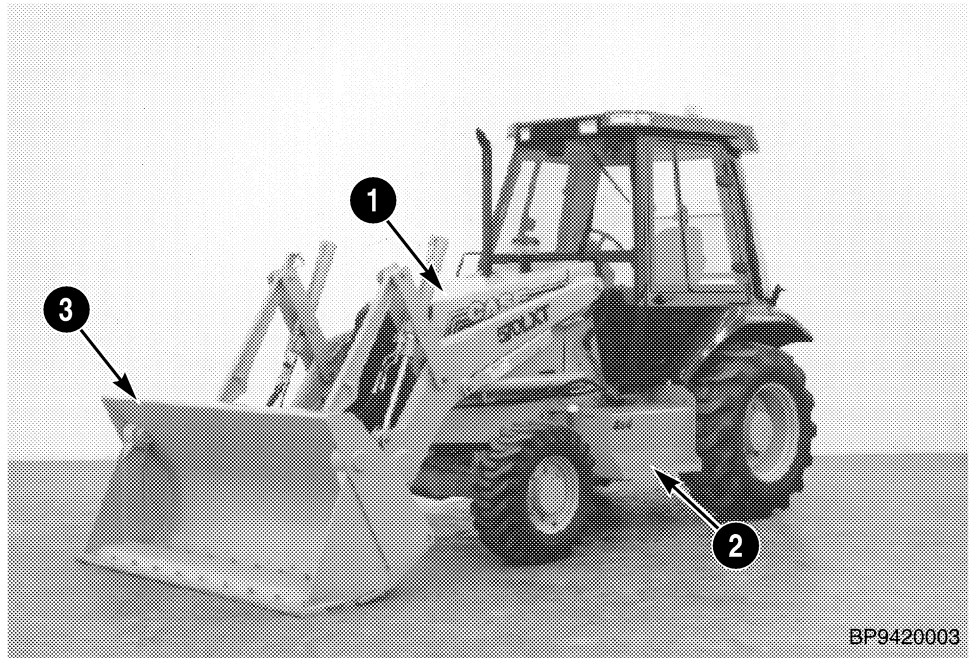
2. Exhaust Pipe

3. Three Point Hitch

TRIM THIS EDGE

TO THE OWNER _____

MACHINE COMPONENTS (Cont'd)



TRIM THIS EDGE

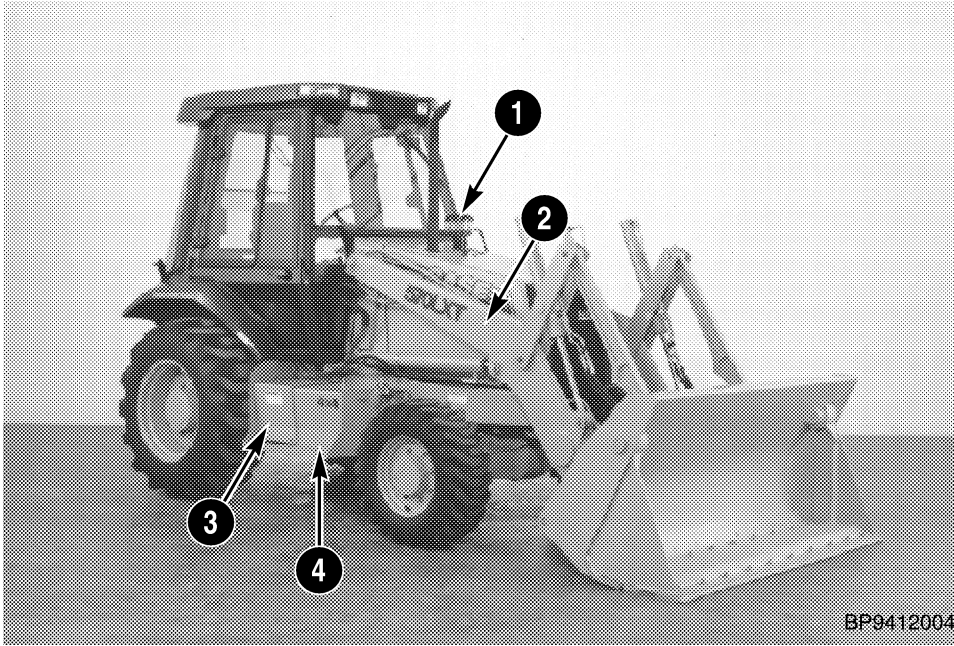
1. Engine Hood

2. Fuel Tank Step

3. 4-In-1 Loader Bucket

TO THE OWNER

MACHINE COMPONENTS (Cont'd)



1. Air Intake
2. Loader Lift Arms

3. Battery Box
4. Hydraulic Tank and Step

TRIM THIS EDGE



Suggest:

If the above button click is invalid.

Please download this document

first, and then click the above link

to download the complete manual.

Thank you so much for reading

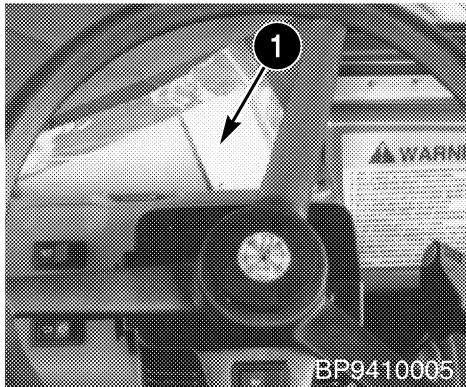
SAFETY / DECALS / HAND SIGNALS



SAFETY RULES



Most accidents involving machine operation and maintenance can be avoided by following basic rules and precautions. Read and understand all the safety messages in this manual, the EMI Safety Manual, and the safety decals on the machine before you operate or service the machine. See your Authorized Case dealer or the Case Corporation if you have any questions.



1. Operator's Manual Storage

Safety messages in this section point out situations which can be encountered during the normal operation and maintenance of your machine. These safety messages also give possible ways of dealing with these conditions.

Additional safety messages appear in the manual to indicate specific safety hazards.

READ THIS MANUAL COMPLETELY and make sure you understand the characteristics of speed, stability, steering, and operation of this machine.

Do not remove this manual or the safety manual from this machine. See your Case dealer for additional manuals. Also see the inside of the rear cover of this manual for detailed information for ordering manuals.

The safety information given in this manual does not replace safety codes, insurance regulations, or federal, state/provincial, or local laws. Make sure your machine has the correct equipment according to these rules or laws.

TRIM THIS EDGE

<https://www.ebooklibonline.com>

Hello dear friend!

Thank you very much for reading.

Enter the link into your browser.

The full manual is available for immediate download.

<https://www.ebooklibonline.com>