
SECTION INDEX

Section 1

01.100	2991105001	FRAME BASIC MACHINE WITH MOUNT. PARTS
01.400	2991102000	FRONT FRAME WITH MOUNT. PARTS
01.450	2987093000	JOINT PARTS FRAME
01.500	2988690002	REAR FRAME WITH MOUNT. PARTS
01.680	2988691000	WHEEL COVER INSTALL.MATERIAL
01.682	2988693000	WHEEL COVER
01.810	2991947000	STEPS INSTALL.MATERIAL
02.002	2988511001	AXLES ASSEMBLY SET SELF-LOCKING
02.002	2988512001	AXLES ASSEMBLY SET STANDARD
02.005	2987063000	AXLES COMPLETE STANDARD
02.005	2988146000	AXLES COMPLETE SELF-LOCKING
02.020	2987074001	SWING AXLE INSTALL.MATERIAL STANDARD
02.020	2987077000	SWING AXLE INSTALL.MATERIAL STANDARD
02.020	2988147000	SWING AXLE INSTALL.MATERIAL SELF-LOCKING
02.020	2988148000	SWING AXLE INSTALL.MATERIAL SELF-LOCKING
02.021	2987078000	SWING AXLE MOUNTING PARTS STANDARD
02.021	2988149000	SWING AXLE MOUNTING PARTS SELF-LOCKING
02.022	2987079000	SWING AXLE STANDARD
02.022	2988158000	SWING AXLE SELF-LOCKING
02.023	2988730000	SWING AXLE HOUSING
02.060	2988143001	RIGID AXLE INSTALL.MATERIAL STANDARD
02.061	2988144001	RIGID AXLE MOUNTING PARTS STANDARD
02.062	2988145000	RIGID AXLE STANDARD
02.063	2988320000	RIGID AXLE HOUSING
02.101	2987076002	RIGID AXLE MOUNTING PARTS FAST GEAR
02.101A	2987076002	RIGID AXLE MOUNTING PARTS FAST GEAR
02.102	2988668001	AXLES ASSEMBLY SET FAST GEAR
02.105	2987600000	AXLES FAST GEAR COMPLETE SELF-LOCKING
02.110	2987073002	RIGID AXLE FAST GEAR FAST GEAR
02.112	2988306000	FRONT AXLE FAST GEAR
02.113	2988307000	FRONT AXLE FAST GEAR HOUSING
02.118	2988310000	SERVICE BRAKE FAST GEAR FRONT
02.210	2987601000	REAR AXLE FAST GEAR SELF-LOCKING
02.211	2987602000	REAR AXLE FAST GEAR SELF-LOCKING
02.212	2987603000	REAR AXLE FAST GEAR SELF-LOCKING
02.213	2987592000	REAR AXLE FAST GEAR SELF-LOCKING
02.214	2988743000	REAR AXLE FAST GEAR HOUSING
02.220	2988311000	WHEEL HUB
02.220	2988312000	WHEEL HUB
02.220	2988321000	WHEEL HUB
02.220	2988733000	WHEEL HUB REAR
02.220	2988734000	WHEEL HUB PLANETARY GEAR
05.090	2988017001	WHEELS INSTALL.MATERIAL 375/75R20 X
05.090	2988018001	WHEELS INSTALL.MATERIAL 405/70R20 E
05.090	2988021001	WHEELS INSTALL.MATERIAL 14.5-20MPT
05.090	2988125001	WHEELS INSTALL.MATERIAL 405/70 R20
05.090	2990668000	WHEELS INSTALL.MATERIAL 405/70 R20E
05.090	2990688000	WHEELS INSTALL.MATERIAL 335/80 R20
05.100	2988019000	WHEELS 375/75R20 X
05.100	2988020000	WHEELS 405/70R20 E
05.100	2988022000	WHEELS 14.5-20MPT
05.100	2988138000	WHEELS 405/70 R20
05.100	2990669000	WHEELS 405/70 R20E
05.100	2990689000	WHEELS 335/80 R20
05.130	2991109000	TRACK EXTENSION 100MM

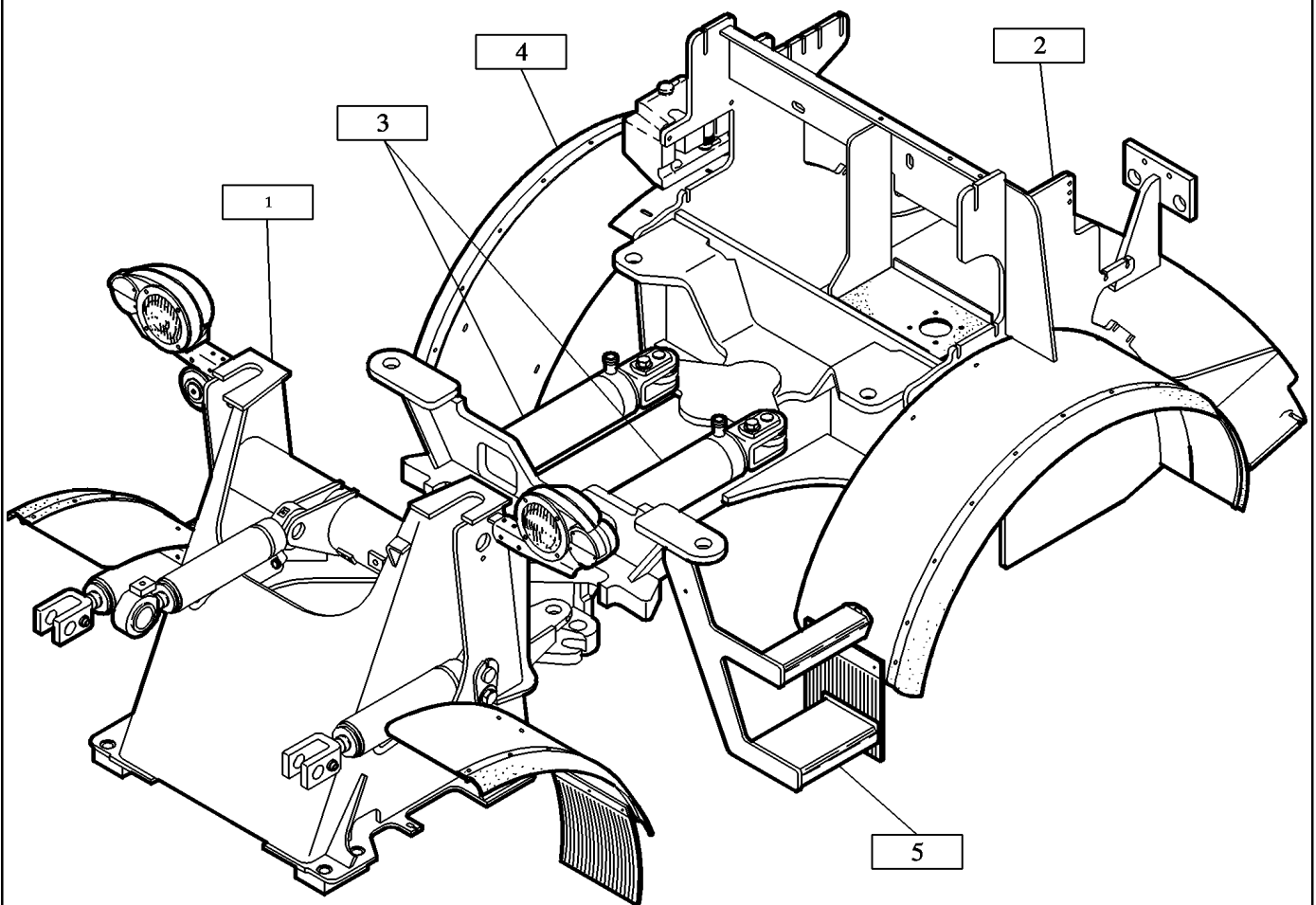
SECTION INDEX

Section 1

07.010	2987075001	PROP SHAFT INSTALL.MATERIAL STANDARD
07.010	2987604000	PROP SHAFT INSTALL.MATERIAL FAST GEAR
10.100	2987410001	HYD. OIL TANK INSTALL.MATERIAL
10.102	2988029000	HYD. OIL TANK
10.102	2988030000	HYD. OIL TANK
10.202	2987090000	FUEL TANK
12.010	2991107000	BALLAST INSTALL.MATERIAL
12.040	2987594000	REAR WEIGHT INSTALL.MATERIAL
13.011	2987064003	MOTOR MOUNTING PARTS
13.110	2486328001	REGULATION MOTOR SPEED (OPTION)
13.220	2987066000	EXHAUST SYSTEM INSTALL.MATERIAL
13.222	2987089000	EXHAUST SYSTEM MUFFLER
13.230	2987082001	INTAKE SYSTEM INSTALL.MATERIAL
13.300	2987269005	FUEL SYSTEM
15.120	2987067000	COOLING SYSTEM ENGINE OIL INSTALL.MATERIAL
15.121	2987087002	COMB. COOL. SYST. WATER/OIL MOUNTING PARTS
15.122	2988638000	RADIATOR ENGINE OIL
16.082	2988735001	TRANSFER GEARBOX
16.082	2988742001	TRANSFER GEARBOX
16.082	2988744001	TRANSFER GEARBOX FAST GEAR
16.082	2988745001	TRANSFER GEARBOX FAST GEAR
16.600	2988308000	DIFFERENTIAL
16.600	2988309000	DIFFERENTIAL
16.600	2988731000	DIFFERENTIAL
16.600	2988732000	DIFFERENTIAL
16.610	2988741000	DIFFERENTIAL SELF-LOCKING REAR
17.102	2987085000	COUPLING/CLUTCH
19.202	2988313000	SERVICE BRAKE FRONT AXLE

FRAME BASIC MACHINE WITH MOUNT. PARTS
TELAIO MACCHINA BASE SERIE MONTAGGIO
RAHMEN GRUNDGERAET MIT ANBAUTEILEN
CADRE ENGINE DE BASE AV. PIECES MONT.

1



<https://www.ebooklibonline.com>

Hello dear friend!

Thank you very much for reading.

Enter the link into your browser.

The full manual is available for immediate download.

<https://www.ebooklibonline.com>

BASTIDOR APARATO BASE C. PIEZAS DE MONT
 RAMME
 FRAME BASIC MACHINE WITH MOUNT. PARTS
 FRAME BASIC MACHINE WITH MOUNT. PARTS

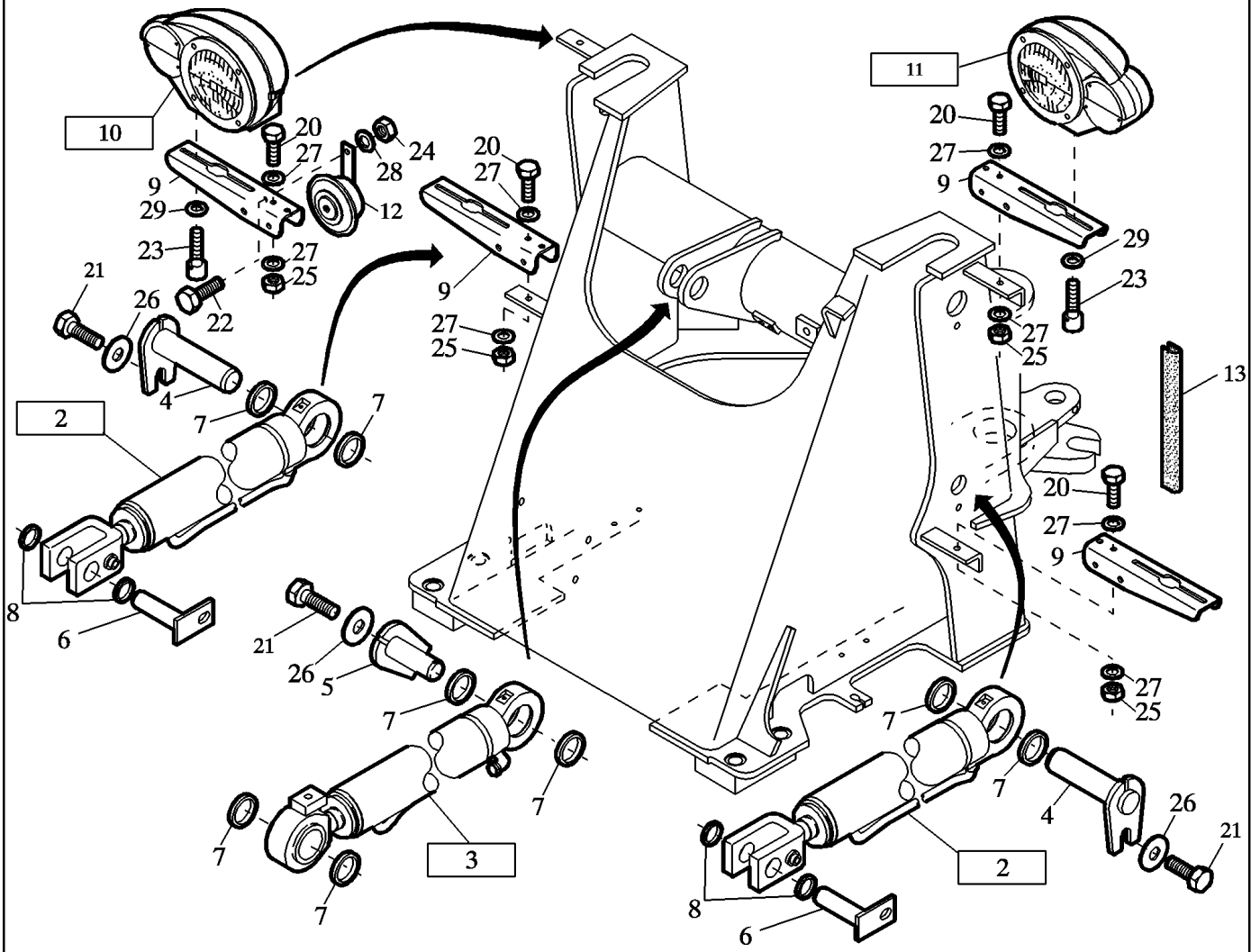
R	N	P.N.	MOD	Q	Description Denominacion	Descrizione Beskrivelse	Bezeichnung Denominação	Description Beschrijving	L.C.
1		NS		1	FRONT FRAME WITH MOUNT. PARTS SEE FIGURE 01.400/2991102000	NON GESTITO	KEIN ERSATZTEIL	NON FOURNI	061N
					NO SE REPARA	NOT SERVICED	NOT SERVICED	NIET GESTOCKEERD	
2		NS		1	REAR FRAME WITH MOUNT. PARTS SEE FIGURE 01.500/2988690002	NON GESTITO	KEIN ERSATZTEIL	NON FOURNI	061N
					NO SE REPARA	NOT SERVICED	NOT SERVICED	NIET GESTOCKEERD	
3		NS		1	JOINT PARTS FRAME SEE FIGURE 01.450/2987093000	NON GESTITO	KEIN ERSATZTEIL	NON FOURNI	061N
					NO SE REPARA	NOT SERVICED	NOT SERVICED	NIET GESTOCKEERD	
4		NS		1	WHEEL COVER INSTALL.MATERIAL SEE FIGURE 01.680/2988691000	NON GESTITO	KEIN ERSATZTEIL	NON FOURNI	061N
					NO SE REPARA	NOT SERVICED	NOT SERVICED	NIET GESTOCKEERD	
5		NS		1	STEPS INSTALL.MATERIAL SEE FIGURE 01.810/2991947000	NON GESTITO	KEIN ERSATZTEIL	NON FOURNI	061N
					NO SE REPARA	NOT SERVICED	NOT SERVICED	NIET GESTOCKEERD	
990		{2840040}		AR	FRAME				

2992646

W80

FRONT FRAME WITH MOUNT. PARTS
TELAIO ANTERIORE SERIE MONTAGGIO
VORDERRAHMEN MIT ANBAUTEILEN
CHASSIS AVANT AV. PIECES MONT.

1



BASTIDOR DELANTERO C. PIEZAS DE MONT
 FRONT FRAME WITH MOUNT. PARTS
 FRONT FRAME WITH MOUNT. PARTS
 FRONT FRAME WITH MOUNT. PARTS

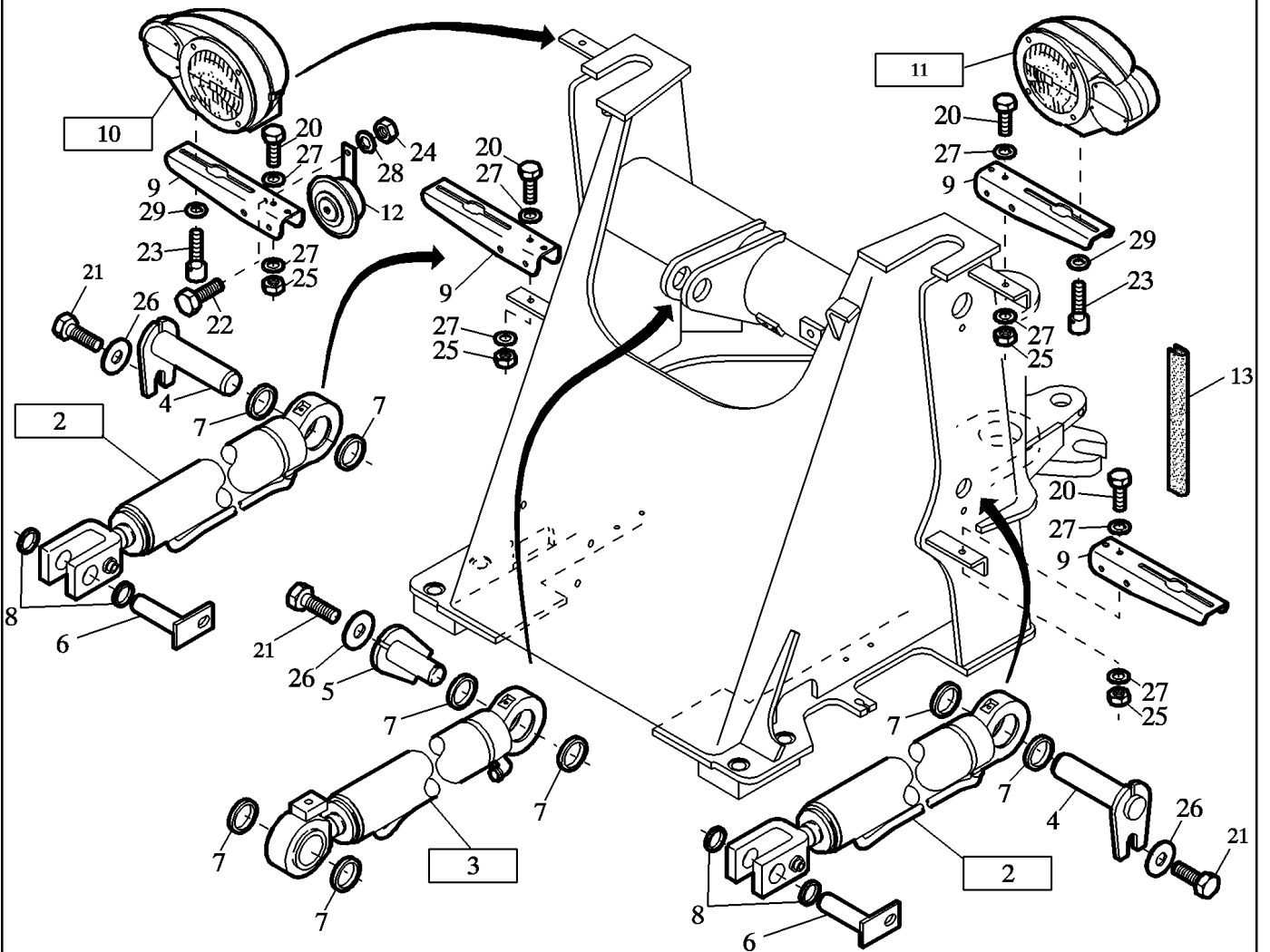
R	N	P.N.	MOD	Q	Description Denominacion	Descrizione Beskrivelse	Bezeichnung Denominação	Description Beschrijving	L.C.
2		NS		2	LIFT CYLINDER SEE FIGURE 24.072/2991103000	NON GESTITO	KEIN ERSATZTEIL	NON FOURNI	061N
					NO SE REPARA	NOT SERVICED	NOT SERVICED	NIET GESTOCKEERD	
3		NS		1	TIP CYLINDER SEE FIGURE 24.082/2991104000	NON GESTITO	KEIN ERSATZTEIL	NON FOURNI	061N
					NO SE REPARA	NOT SERVICED	NOT SERVICED	NIET GESTOCKEERD	
4		2813338		2	PIN	PERNO	BOLZEN	AXE	080P
					PERNO	STIFT	PERNO	PEN	
5		1941220		2	PIN	PERNO	BOLZEN	AXE	080P
					PERNO	STIFT	PERNO	PEN	
6		2212400		2	PIN	PERNO	BOLZEN	AXE	080P
					PERNO	STIFT	PERNO	PEN	
7		1941219		8	GASKET	GUARNIZIONE	DICHTUNG, FLACH	JOINT	123G
					JUNTA HERMETICA	PAKNING	JUNTA	DICHTINGSSTUK	
8		1941206		4	GASKET	GUARNIZIONE	DICHTUNG, FLACH	JOINT	123G
					JUNTA HERMETICA	PAKNING	JUNTA	DICHTINGSSTUK	
9		2813704		4	BRACKET	STAFFA	KONSOLE	PATTE FIXATION	225S
					PIEZA DE SOPORTE	BESLAG	BRACADEIRA	STEUNBEUGEL	
10		NS		1	ILLUMINATION FRONT MOUNTING PARTS RIGHT-HAND SEE FIGURE 32.201/2984502002	NON GESTITO	KEIN ERSATZTEIL	NON FOURNI	061N
					NO SE REPARA	NOT SERVICED	NOT SERVICED	NIET GESTOCKEERD	
11		NS		1	ILLUMINATION FRONT MOUNTING PARTS LEFT-HAND SEE FIGURE 32.201/2984501002	NON GESTITO	KEIN ERSATZTEIL	NON FOURNI	061N
					NO SE REPARA	NOT SERVICED	NOT SERVICED	NIET GESTOCKEERD	
12		216547		1	HORN	AVVISATORE	WARNHORN	AVERTISSEUR	105A
					BOCINA	HORN	BUZINA	HOORN	
13		153957	AR		PROFILE, 0.85 METER	BORDINO	PROFIL	PROFILE, BOURRELET	106B
					PERFIL	PROFIL	PERFIL	PROFIEL	
20		57013		8	HEXAGON BOLT	BULLONE	SCHRAUBE	BOULON	140B
					TORNILLO	SKRUE	PARAFUSO	BOUT	
21		300383		3	BOLT, Hex, M10 x 16, 8.8, Full Thd	BULLONE	SCHRAUBE	BOULON	140B
					TORNILLO	SKRUE	PARAFUSO	BOUT	
22		56656		1	HEXAGON BOLT	BULLONE	SCHRAUBE	BOULON	140B
					TORNILLO	SKRUE	PARAFUSO	BOUT	
23		2168745		4	CYL.HEAD SCREW	VITE	SCHRAUBE	VIS	040V
					TORNILLO	SKRUE	PARAFUSO	SCHROEF	
24		57127		1	HEXAGON NUT	DADO	MUTTER	ECROU	010D
					TUERCA	MOETRIK	PORCA	MOER	
25		57126		8	HEXAGON NUT	DADO	MUTTER	ECROU	010D
					TUERCA	MOETRIK	PORCA	MOER	
26		530811		3	DISK/WASHER	ROSETTA PIANA	UNTERLEGSCHIEBE	RONDELLE	131R
					ARANDELA	FLADSKIVE	ANILHA	SLUITRING	
27		2975165		8	DISK/WASHER	ROSETTA PIANA	UNTERLEGSCHIEBE	RONDELLE	131R
					ARANDELA	FLADSKIVE	ANILHA	SLUITRING	
28		2981701		1	DISK/WASHER	ROSETTA PIANA	UNTERLEGSCHIEBE	RONDELLE	131R
					ARANDELA	FLADSKIVE	ANILHA	SLUITRING	
29		62543		4	DISK/WASHER	ROSETTA PIANA	UNTERLEGSCHIEBE	RONDELLE	131R
					ARANDELA	FLADSKIVE	ANILHA	SLUITRING	

2992646

W80

FRONT FRAME WITH MOUNT. PARTS
TELAIO ANTERIORE SERIE MONTAGGIO
VORDERRAHMEN MIT ANBAUTEILEN
CHASSIS AVANT AV. PIECES MONT.

1



01.400

2991102000 p2

01/07

BASTIDOR DELANTERO C. PIEZAS DE MONT
FRONT FRAME WITH MOUNT. PARTS
FRONT FRAME WITH MOUNT. PARTS
FRONT FRAME WITH MOUNT. PARTS

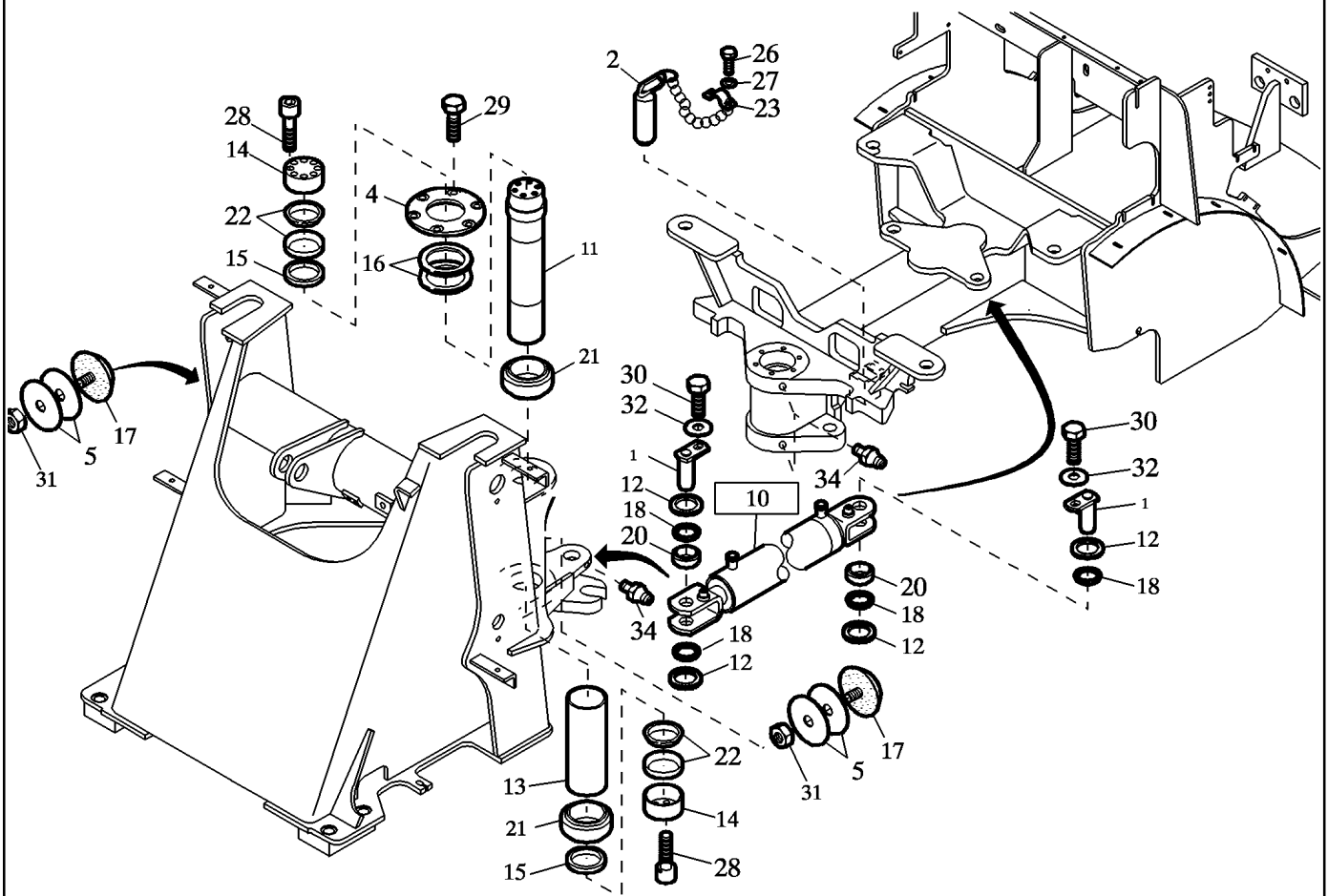
R	N	P.N.	MOD	Q	Description Denominacion	Descrizione Beskrivelse	Bezeichnung Denominação	Description Beschrijving	L.C.
990		{2840041}		AR	FRONT FRAME				

2992646

W80**1**

JOINT PARTS FRAME
PARTI ARTICOLATE TELAIO
GELENKTEILE RAHMEN
ARTICULATIONS CADRE

1



PIEZAS DE ARTICUL. BASTIDOR
RAMME
JOINT PARTS FRAME
JOINT PARTS FRAME

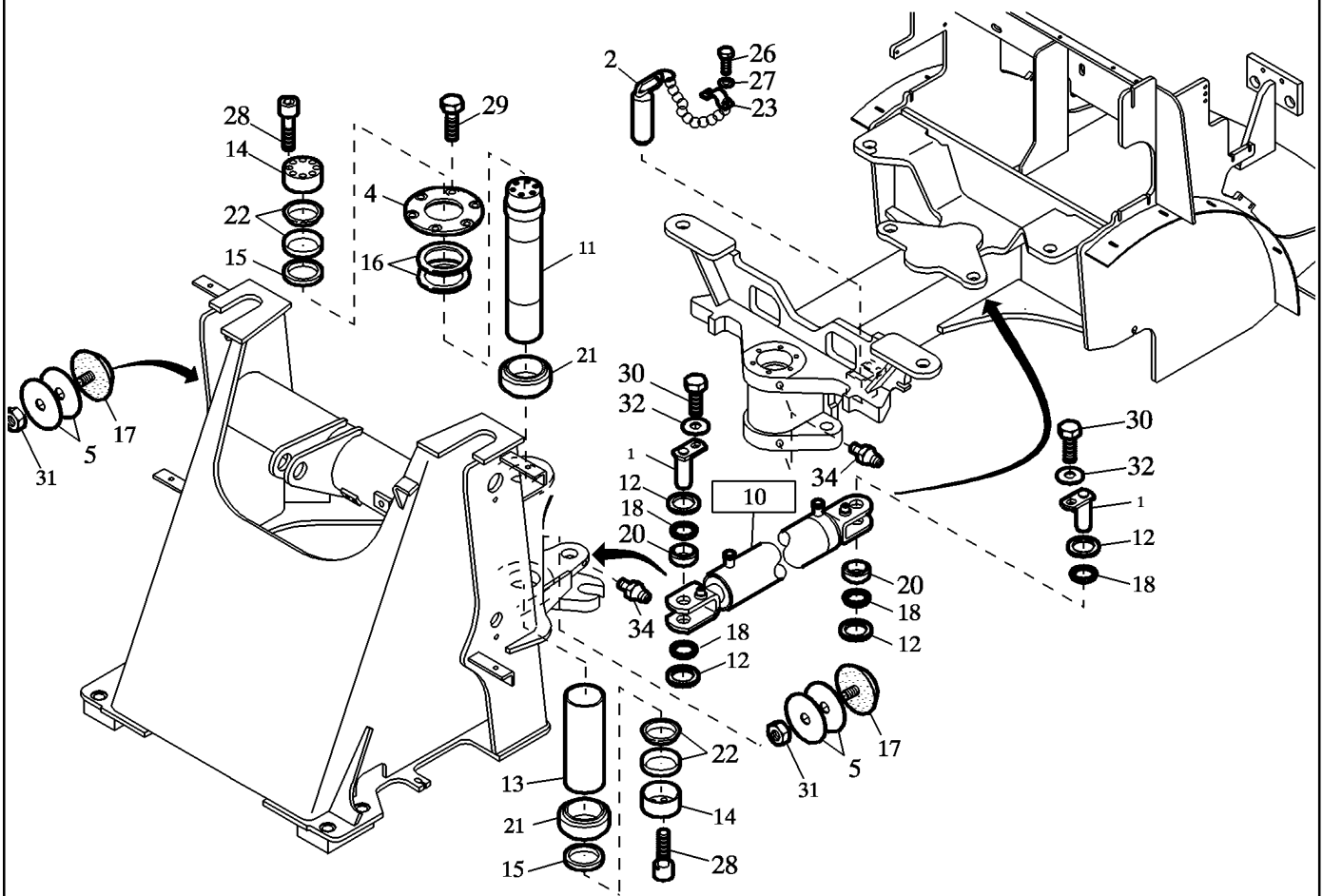
R	N	P.N.	MOD	Q	Description Denominacion	Descrizione Beskrivelse	Bezeichnung Denominação	Description Beschrijving	L.C.
1		512166		4	PIN PERNO	PERNO STIFT	BOLZEN PERNO	AXE PEN	080P
2		4550217		1	PIN PERNO	PERNO STIFT	BOLZEN PERNO	AXE PEN	080P
4		1710003		1	LID TAPA	SPORTELLO LAAG	DECKEL TAMPA	VOLET DEKSEL	205S
5		2212786		4	DISK/WASHER ARANDELA	ROSETTA PIANA FLADSKIVE	UNTERLEGSCHIEBE ANILHA	RONDELLE SLUITRING	131R
10		NS		2	STEERING CYLINDER SEE FIGURE 24.122/2991211000 NO SE REPARA	NON GESTITO NOT SERVICED	KEIN ERSATZTEIL NOT SERVICED	NON FOURNI NIET GESTOCKEERD	061N
11		1710002		1	PIN PASADOR TUBOLAR	SPINA ELASTICA SPLIT	SPANNSTIFT TROCO	GOUPILLE ELASTIQUE SPANSTIFT	200S
12		4552174		8	DISK/WASHER ARANDELA	ROSETTA PIANA FLADSKIVE	UNTERLEGSCHIEBE ANILHA	RONDELLE SLUITRING	131R
13		1710014		1	SLEEVE PERNO	PERNO STIFT	BOLZEN PERNO	AXE PEN	080P
14		1710013		2	LID PERNO	PERNO STIFT	BOLZEN PERNO	AXE PEN	080P
15		1710015		2	RING ANILLO	ANELLO RING	RING ANEL	ANNEAU RING	045A
16		1710004		2	DISK/WASHER ANILLO	ANELLO RING	RING ANEL	ANNEAU RING	045A
17		2929663		2	LIMIT STOP DISPOSITIVO DE TOPE	ARRESTO STOP	STOPPVORRICHTUNG BATENTE	BUTÉE STOOTSTUK	080A
18		750585		8	GASKET JUNTA HERMETICA	GUARNIZIONE PAKNING	DICHTUNG, FLACH JUNTA	JOINT DICHTINGSSTUK	123G
20		2929701		4	JOINT BEARING COJINETE	CUSCINETTO LEJE	LAGER, KOMPLETT ROLAMENTO	ROULEMENT LAGER	341C
21		306270		2	JOINT BEARING COJINETE	CUSCINETTO LEJE	LAGER, KOMPLETT ROLAMENTO	ROULEMENT LAGER	341C
22		215196		4	CLAMPING PIECE BORNE	MORSETTO SPÆNDEBÅND	KLEMME BORNE	BRIDE KLEM	120M
23		2900981		1	CABLE RETAINER RETENADOR DE CABLE	FERMO, CAVO KABELHOLDER	KABELHALTER CABO RETENTOR	RETENEUR DE CABLE RETAINER, CABLE	P738
26		2975136		2	HEXAGON BOLT TORNILLO	BULLONE SKRUE	SCHRAUBE PARAFUSO	BOULON BOUT	140B
27		56982		2	DISK/WASHER ARANDELA	ROSETTA PIANA FLADSKIVE	UNTERLEGSCHIEBE ANILHA	RONDELLE SLUITRING	131R
28		2976722		16	CYL.HEAD SCREW TORNILLO	VITE SKRUE	SCHRAUBE PARAFUSO	VIS SCHROEF	040V
29		9706687		6	Bolt, Hex, M12 x 30, 8.8 TORNILLO	VITE SKRUE	SCHRAUBE PARAFUSO	VIS SCHROEF	040V
30		300383		4	BOLT, Hex, M10 x 16, 8.8, TORNILLO	Full Thd BULLONE SKRUE	SCHRAUBE PARAFUSO	BOULON BOUT	140B
31		100020		2	Nut, M16, Cl 8 TUERCA	DADO MOETRIK	MUTTER PORCA	ECROU MOER	010D

2992646

W80

JOINT PARTS FRAME
PARTI ARTICOLATE TELAIO
GELENKTEILE RAHMEN
ARTICULATIONS CADRE

1



01.450

2987093000 p2

01/07

PIEZAS DE ARTICUL. BASTIDOR
RAMME
JOINT PARTS FRAME
JOINT PARTS FRAME

R	N	P.N.	MOD	Q	Description Denominacion	Descrizione Beskrivelse	Bezeichnung Denominação	Description Beschrijving	L.C.
32		530811		4	DISK/WASHER ARANDELA	ROSETTA PIANA FLADSKIVE	UNTERLEGSCHIEBE ANILHA	RONDELLE SLUITRING	131R
34		8412011		4	GREASE NIPPLE ENGRASADOR	INGRASSATORE SMOERENIPPEL	SCHMIERNIPPEL LUBRIFICADOR	GRAISSEUR SMEERNIPPEL	060I
990		{2813856}		AR	ARTICULATED JOINT				

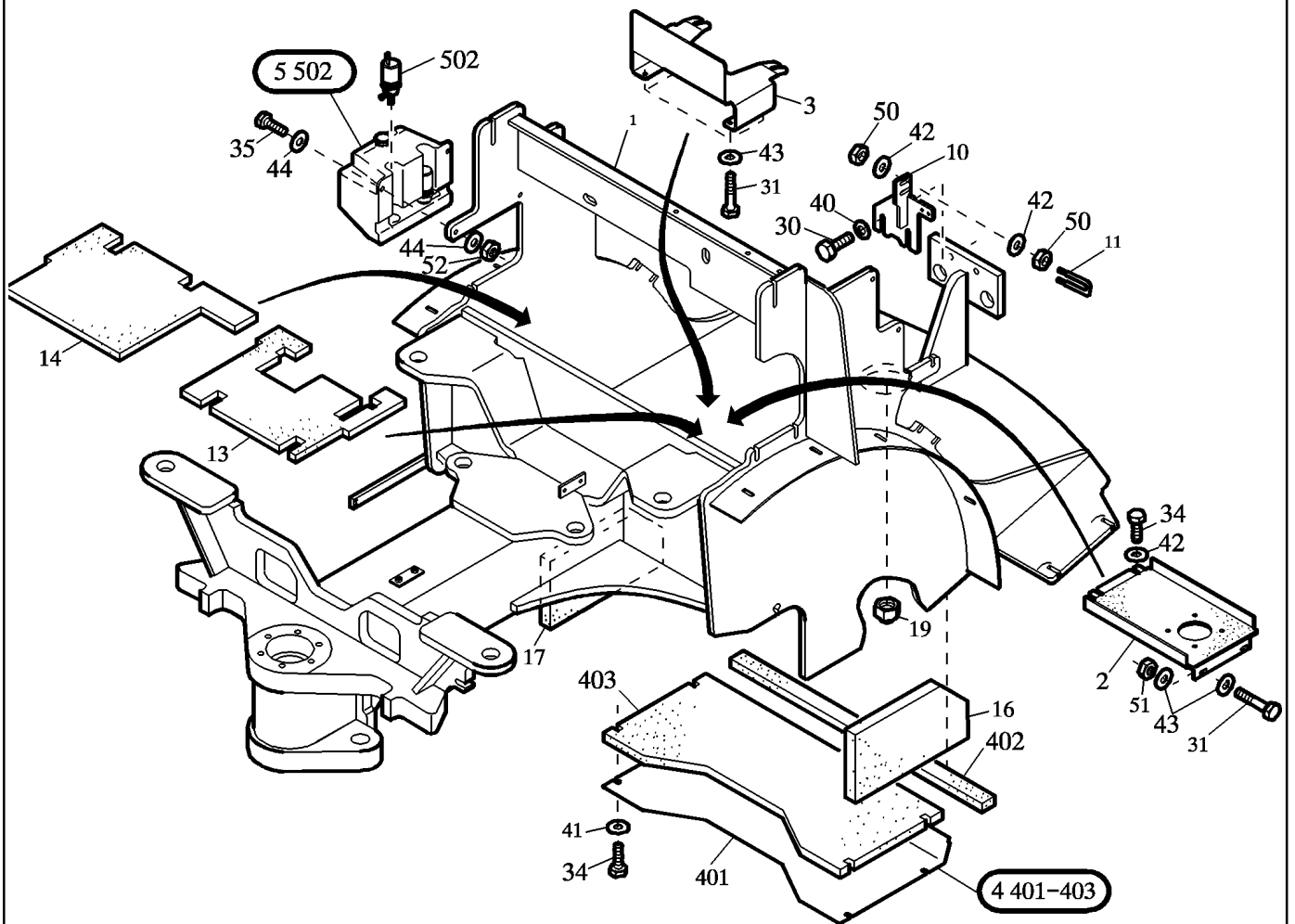
1

2992646

W80

REAR FRAME WITH MOUNT. PARTS
TELAIO POSTERIORE SERIE MONTAGGIO
HINTERRAHMEN MIT ANBAUTEILEN
CHASSIS ARRIERE AV. PIECES MONT.

1



BASTIDOR TRASERO C. PIEZAS DE MONT
REAR FRAME WITH MOUNT. PARTS
REAR FRAME WITH MOUNT. PARTS
REAR FRAME WITH MOUNT. PARTS

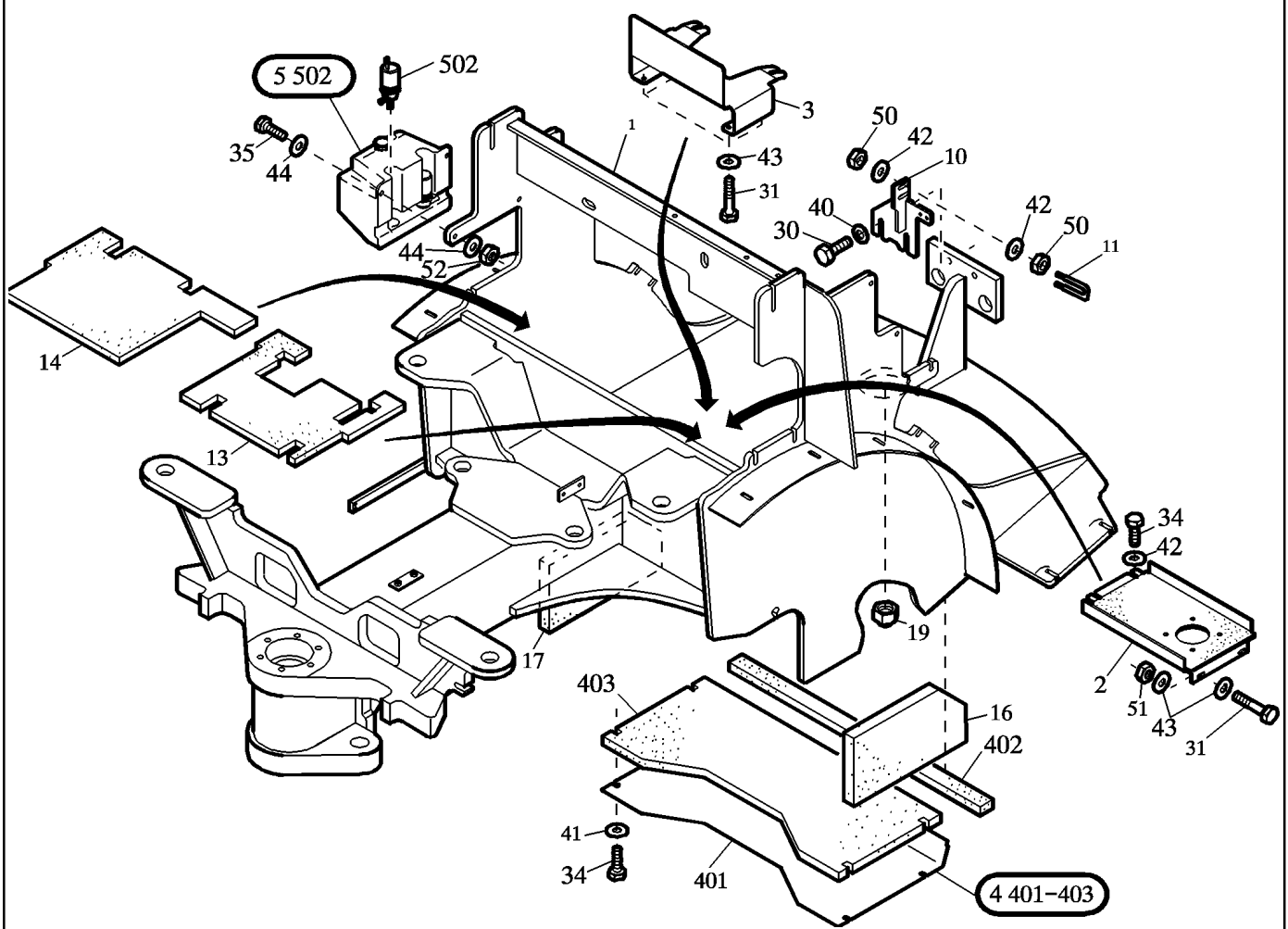
R	N	P.N.	MOD	Q	Description Denominacion	Descrizione Beskrivelse	Bezeichnung Denominação	Description Beschrijving	L.C.
2		2813782		1	SUPPORT SOPORTE	SUPPORTO BESLAG	HALTERUNG, LAGERBO SUPORTE	SUPPORT STEUN	300S
3		4571383		1	MOUNTING SOPORTE	SUPPORTO BESLAG	HALTERUNG, LAGERBO SUPORTE	SUPPORT STEUN	300S
4		4552250		1	COVER PLATE TAPADERA	COPERCHIO DÆKSEL	ABDECKUNGII COBERTA	COUVERCLE DEKSEL	265C
5		4552751		1	WATER RESERVOIR DEPÓSITO	SERBATOIO RESERVOIR	VORRATSBEHÄLTERII DEPÓSITO	RÉSERVOIR RESERVOIR	7050
10		4552878		1	BRACKET PIEZA DE SOPORTE	STAFFA BESLAG	KONSOLEII BRACADEIRA	PATTE FIXATION STEUNBEUGEL	225S
11		4573244		1	STRAP PLACA DE SUJECION	STAFFETTA FISSAGGIO SPÆNDRING	HALTERBÜGEL COLAR RETENTOR	BRIDE-FIXATION/ COLLI STOPBEUGEL	230S
13		2813946		1	MAT ALFOMBRA	TAPPETINO MÄTTE	MATTE TAPETE	TAPIS MAT	030T
14		2813947		1	MAT ALFOMBRA	TAPPETINO MÄTTE	MATTE TAPETE	TAPIS MAT	030T
16		4550583		1	MAT PLACA AISLANTE	PIASTRINA ISOLANTE ISOLERINGSPLADE	DÄMMPLATTEII CHAPA ISOLANTE	PLAQUETTE ISOLANTE INSOLATIEPLAAT	112P
17		4550584		1	MAT PLACA AISLANTE	PIASTRINA ISOLANTE ISOLERINGSPLADE	DÄMMPLATTEII CHAPA ISOLANTE	PLAQUETTE ISOLANTE INSOLATIEPLAAT	112P
19		900615		1	PLUG TAPÓN	TAPPO PROP	STOPFEN BUJAO	BOUCHON PLUG	050T
30		2975077		2	HEXAGON BOLT TORNILLO	VITE SKRUE	SCHRAUBE PARAFUSO	VIS SCHROEF	040V
31		2975214		6	HEXAGON BOLT TORNILLO	BULLONE SKRUE	SCHRAUBE PARAFUSO	BOULON BOUT	140B
34		57013		6	HEXAGON BOLT TORNILLO	BULLONE SKRUE	SCHRAUBE PARAFUSO	BOULON BOUT	140B
35		2975143		2	HEXAGON BOLT TORNILLO	BULLONE SKRUE	SCHRAUBE PARAFUSO	BOULON BOUT	140B
40		2975160		2	DISK/WASHER ARANDELA DE FRENO	ROSETTA DI SICUREZZA/ LAASESKIVE	SICHERUNGSSCHEIBEII ANILHA DE FIXACAO	RONDELLE FREIN VEERRING	132R
41		2975165		6	DISK/WASHER ARANDELA	ROSETTA PIANA FLADSKIVE	UNTERLEGSCHIEBE ANILHA	RONDELLE SLUITRING	131R
42		62543		5	DISK/WASHER ARANDELA	ROSETTA PIANA FLADSKIVE	UNTERLEGSCHIEBE ANILHA	RONDELLE SLUITRING	131R
43		2977362		8	DISK/WASHER ARANDELA	ROSETTA PIANA FLADSKIVE	UNTERLEGSCHIEBE ANILHA	RONDELLE SLUITRING	131R
44		63707		4	DISK/WASHER ARANDELA DE FRENO	ROSETTA DI SICUREZZA/ LAASESKIVE	SICHERUNGSSCHIEBEII ANILHA DE FIXACAO	RONDELLE FREIN VEERRING	132R
50		57126		4	HEXAGON NUT TUERCA	DADO MOETRIK	MUTTER PORCA	ECROU MOER	010D
51		68841		2	HEXAGON NUT TUERCA	DADO MOETRIK	MUTTER PORCA	ECROU MOER	010D
52		353308		2	Nut, Lock, M6 x 1, Cl 8 TUERCA	DADO MOETRIK	MUTTER PORCA	ECROU MOER	010D
402		4550423		1	MAT TAPETE DE SUELO	TAPPETINO GULVMÄTTE	BODENMATTE TAPETE DE SUELO	TAPIS DE PLANCHER MAT, FLOOR	Z068

2992646

W80

REAR FRAME WITH MOUNT. PARTS
TELAIO POSTERIORE SERIE MONTAGGIO
HINTERRAHMEN MIT ANBAUTEILEN
CHASSIS ARRIERE AV. PIECES MONT.

1



01.500

2988690002 p2

12/06

BASTIDOR TRASERO C. PIEZAS DE MONT
REAR FRAME WITH MOUNT. PARTS
REAR FRAME WITH MOUNT. PARTS
REAR FRAME WITH MOUNT. PARTS

R	N	P.N.	MOD	Q	Description Denominacion	Descrizione Beskrivelse	Bezeichnung Denominação	Description Beschrijving	L.C.
403		4552252		1	MAT ALFOMBRA	TAPPETINO MÁTTE	MATTE TAPETE	TAPIS MAT	030T
502		4552753		2	WATER PUMP BOMBA DE AGUA	POMPA ACQUA VANDPUMPE	WASSERPUMPE BOMBA DE AGUA	POMPE A EAU WATERPOMP	152P
990		{2813814}		AR	REAR FRAME				

1

2992646

W80



Suggest:

If the above button click is invalid.

Please download this document

first, and then click the above link

to download the complete manual.

Thank you so much for reading

<https://www.ebooklibonline.com>

Hello dear friend!

Thank you very much for reading.

Enter the link into your browser.

The full manual is available for immediate download.

<https://www.ebooklibonline.com>