

SERVICE MANUAL

TD4020F / TD4030F / TD4040F
Tractor

Part number 48064955
English
September 2016



Link Product / Engine

Product	Market Product	Engine
TD4020F	Europe	F5AE5484A
TD4030F	Europe	F5AE5484A
TD4040F	Europe	F5AE5484A

Contents

INTRODUCTION

Engine.....	10
[10.001] Engine and crankcase	10.1
Clutch	18
[18.110] Clutch and components	18.1
Transmission.....	21
[21.114] Mechanical transmission	21.1
[21.160] Creeper	21.2
[21.162] Reverser	21.3
[21.182] Differential.....	21.4
Four-Wheel Drive (4WD) system	23
[23.202] Electro-hydraulic control	23.1
[23.304] Four-Wheel Drive (4WD) gearbox	23.2
Front axle system	25
[25.100] Powered front axle	25.1
[25.102] Front bevel gear set and differential	25.2
[25.108] Final drive hub, steering knuckles, and shafts	25.3
[25.310] Final drives	25.4
Rear axle system.....	27
[27.100] Powered rear axle.....	27.1
[27.106] Rear bevel gear set and differential	27.2
Power Take-Off (PTO)	31
[31.101] Rear mechanical control	31.1
Brakes and controls	33
[33.220] Trailer brake hydraulic control.....	33.1
[33.202] Hydraulic service brakes	33.2

<https://www.ebooklibonline.com>

Hello dear friend!

Thank you very much for reading.

Enter the link into your browser.

The full manual is available for immediate download.

<https://www.ebooklibonline.com>

Hydraulic systems	35
[35.204] Remote control valves	35.1
[35.114] Three-point hitch control valve	35.2
[35.322] Regulated/Low pressure system	35.3
Hitches, drawbars, and implement couplings	37
[37.110] Rear three-point hitch	37.1
Steering	41
[41.206] Pump	41.1
[41.216] Cylinders	41.2
[41.200] Hydraulic control components.....	41.3
Electrical systems	55
[55.301] Alternator	55.1
[55.201] Engine starting system	55.2
[55.051] Cab Heating, Ventilation, and Air-Conditioning (HVAC) controls.....	55.3
[55.523] Cab hitch controls	55.4
[55.408] Warning indicators, alarms, and instruments	55.5
[55.302] Battery.....	55.6
[55.100] Harnesses and connectors	55.7
Platform, cab, bodywork, and decals	90
[90.154] Cab doors and hatches	90.1
[90.151] Cab interior.....	90.2



INTRODUCTION

Contents

INTRODUCTION

International symbols	3
Safety rules	4
Safety rules	16
Personal safety	21
Basic instructions Hardware	22
Torque Specification Tables	23
Basic instructions - Shop and Assembly	28
Capacities	30

International symbols

As a guide to the operation of the machine, various universal symbols have been utilized on the instruments, controls, switches, and fuse box. The symbols are shown below with an indication of their meaning.

	Thermostat starting aid		Radio		PTO		Position Control
	Alternator charge	KAM	Keep alive memory	N	Transmission in neutral		Draft Control
	Fuel level		Turn signals		Creeper gears		Accessory socket
	Automatic Fuel shut-off		Turn signals -one trailer		Slow or low setting		Implement socket
	Engine speed (rev/min x 100)		Turn signals -two trailers		Fast or high setting		%age slip
	Hours recorded		Front wind-screen wash/wipe		Ground speed		Hitch raise (rear)
	Engine oil pressure		Rear wind-screen wash/wipe		Differential lock		Hitch lower (rear)
	Engine coolant temperature		Heater temperature control		Rear axle oil temperature		Hitch height limit (rear)
	Coolant level		Heater fan		Transmission oil pressure		Hitch height limit (front)
	Tractor lights		Air conditioner		FWD engaged		Hitch disabled
	Headlamp main beam		Air filter blocked		FWD dis-engaged		Hydraulic and transmission filters
	Headlamp dipped beam		Parking brake		Warning!		Remote valve extend
	Work lamps		Brake fluid level		Hazard warning lights		Remote valve retract
	Stop lamps		Trailer brake		Variable control		Remote valve float
	Horn		Roof beacon		Pressurised! Open carefully		Malfunction! See Operator's Manual
			Warning ! Corrosive substance				Malfunction! (alternative symbol)

Safety rules

IMPORTANT NOTICE

All maintenance and repair operations described in this manual should be carried out exclusively by authorised workshops. All instructions should be carefully observed and special equipment where indicated should be used. Anyone who carries out service operations described without carefully observing these instructions will be directly responsible for any damage caused.

NOTES FOR EQUIPMENT

Equipment shown in this manual is:

- designed expressly for use on these tractors;
- necessary to make a reliable repair;
- accurately built and strictly tested to offer efficient and long-lasting working life.

NOTICES

The words “front”, “rear”, “right hand”, and “left hand” refer to the different parts as seen from the operator’s seat oriented to the normal direction of movement of the tractor.

SAFETY RULES

PAY ATTENTION TO THIS SYMBOL



This warning symbol points out important messages involving personal safety. Carefully read the safety rules contained herein and follow advised precautions to avoid potential hazards and safeguard your safety. In this manual you will find this symbol together with the following key-words:
WARNING -it gives warning about improper repair operations and potential consequences affecting the service technician’s personal safety.
DANGER - it gives specific warning about potential dangers for personal safety of the operator or other persons directly or indirectly involved in the operation.



TO PREVENT ACCIDENTS

Most accidents and personal injuries taking place in workshops are due from non-observance of some essential rules and safety precautions.

The possibility that an accident might occur with any type of machines should not be disregarded, no matter how well the machine in question was designed and built.

A wise and careful service technician is the best precautions against accidents.

Careful observance of this basic precaution would be enough to avoid many severe accidents.



DANGER



Never carry out any cleaning, lubrication or maintenance operations when the engine is running.

B013

SAFETY RULES

Generalities

- Carefully follow specified repair and maintenance procedures.

INTRODUCTION

- Do not wear rings, wristwatches, jewels, unbuttoned or flapping clothing such as ties, torn clothes, scarves, open jackets or shirts with open zips which could get caught on moving parts. Use approved safety clothing such as anti-slipping footwear, gloves, safety goggles, helmets, etc.
- Wear safety glasses with side guards when cleaning parts using compressed air.
- Damaged or frayed wires and chains are unreliable. Do not use them for lifting or towing.
- Wear suitable protection such as approved eye protection, helmets, special clothing, gloves and footwear whenever welding. All persons standing in the vicinity of the welding process should wear approved eye protection. NEVER LOOK AT THE WELDING ARC IF YOUR EYES ARE NOT SUITABLY PROTECTED.
- Never carry out any repair on the machine if someone is sitting on the operator's seat, except if they are qualified operators assisting in the operation to be carried out.
- Never operate the machine or use attachments from a place other than sitting at the operator's seat or at the side of the machine when operating the fender switches.
- Never carry out any operation on the machine when the engine is running, except when specifically indicated. Stop the engine and ensure that all pressure is relieved from hydraulic circuits before removing caps, covers, valves, etc.
- All repair and maintenance operations should be carried out with the greatest care and attention.
- Disconnect the batteries and label all controls to warn that the tractor is being serviced. Block the machine and all equipment which should be raised.
- Never check or fill fuel tanks or batteries, nor use starting liquid if you are smoking or near open flames as such fluids are flammable.
- The fuel filling gun should always remain in contact with the filler neck. Maintain this contact until the fuel stops flowing into the tank to avoid possible sparks due to static electricity build-up.
- To transfer a failed tractor, use a trailer or a low loading platform trolley if available.
- To load and unload the machine from the transportation means, select a flat area providing a firm support to the trailer or truck wheels. Firmly tie the machine to the truck or trailer platform and block wheels as required by the transporter.
- Always use lifting equipment of appropriate capacity to lift or move heavy components.
- Chains should always be safely fastened. Ensure that fastening device is strong enough to hold the load foreseen. No persons should stand near the fastening point.
- The working area should be always kept CLEAN and DRY. Immediately clean any spillage of water or oil.
- Never use gasoline, diesel oil or other flammable liquids as cleaning agents. Use non-flammable non-toxic proprietary solvents.
- Do not pile up grease or oil soaked rags, as they constitute a great fire hazard. Always place them into a metal container.

START UP

- Never run the engine in confined spaces which are not equipped with adequate ventilation for exhaust gas extraction.
- Never bring your head, body, arms, legs, feet, hands, fingers near fans or rotating belts.

ENGINE

- Always loosen the radiator cap very slowly before removing it to allow pressure in the system to dissipate. Coolant should be topped up only when the engine is stopped.
- Do not fill up fuel tank when the engine is running.
- Never adjust the fuel injection pump when the tractor is moving.
- Never lubricate the tractor when the engine is running.

ELECTRICAL SYSTEMS

- If it is necessary to use auxiliary batteries, cables must be connected at both sides as follows: (+) to (+) and (-) to (-). Avoid short-circuiting the terminals. GAS RELEASED FROM BATTERIES IS HIGHLY FLAMMABLE. During



SERVICE MANUAL

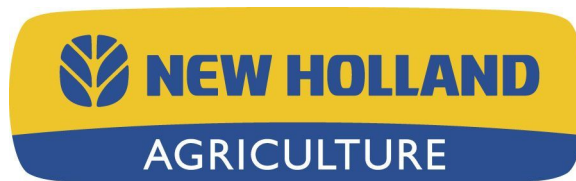
Engine

**TD4020F
TD4030F
TD4040F**

Contents

Engine - 10

[10.001] Engine and crankcase	10.1
-------------------------------------	------



Engine - 10

Engine and crankcase - 001

**TD4020F
TD4030F
TD4040F**

Contents

Engine - 10

Engine and crankcase - 001

SERVICE

Engine

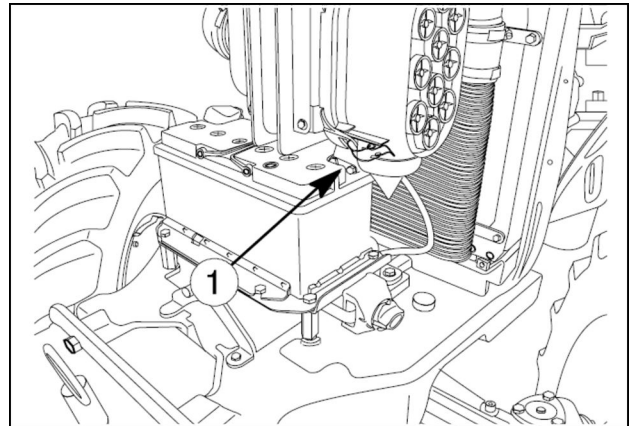
Remove	3
Install	14

Engine - Remove

To access the clutch it is necessary to separate the engine complete with the front axle from the transmission.

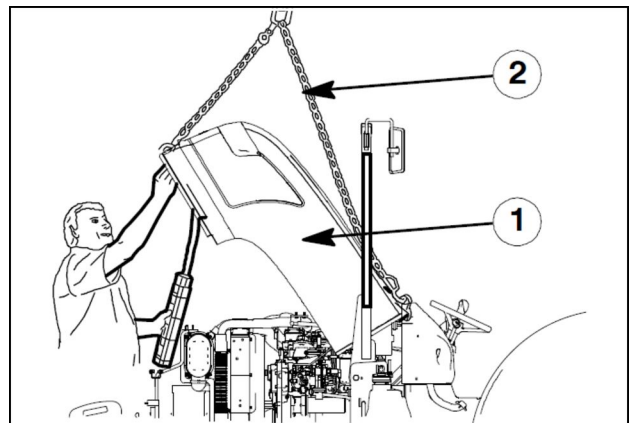
Proceed as follows:

1. Disconnect the battery negative lead **(1)**



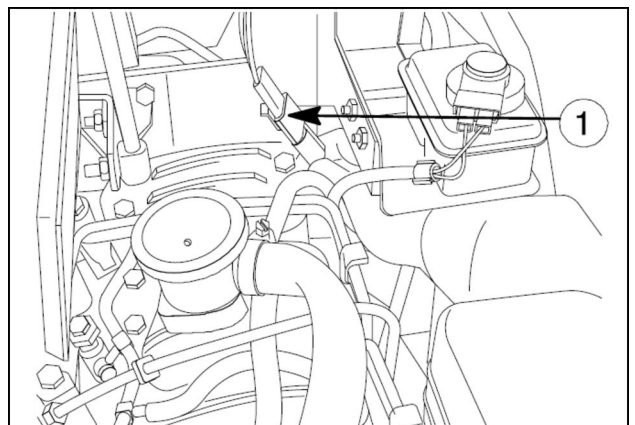
ANIL16TRO2582AA 1

2. Drain the oil from the transmission-gearbox housing.
3. Drain the cooling system.
4. Remove the exhaust pipe. Attach lifting chains **(2)** to the bonnet **(1)** and attach the chain to the hoist.



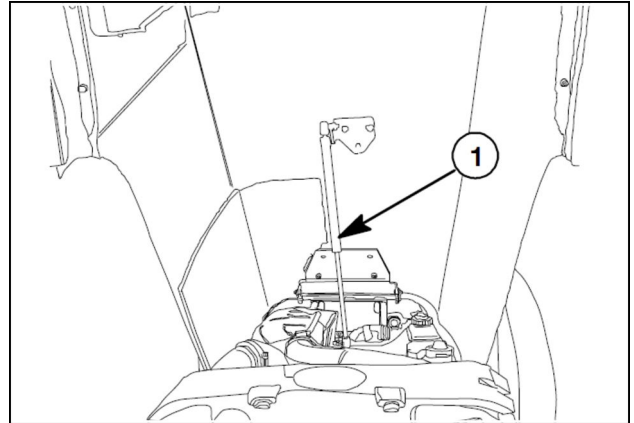
ANIL16TRO2583AA 2

5. Disconnect the electrical connection **(1)** of bonnet.



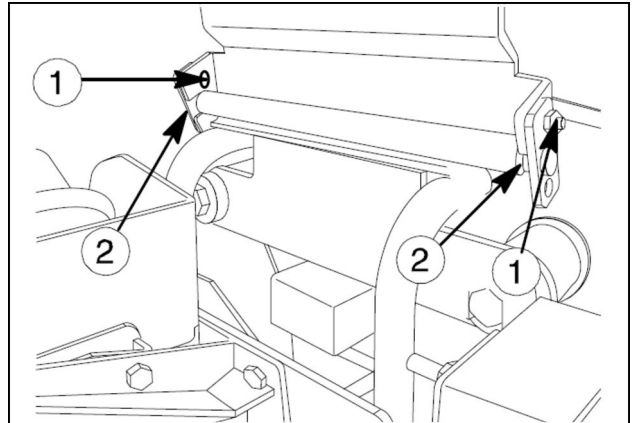
ANIL16TRO2584AA 3

6. Detach the gas strut (1) from the bonnet.



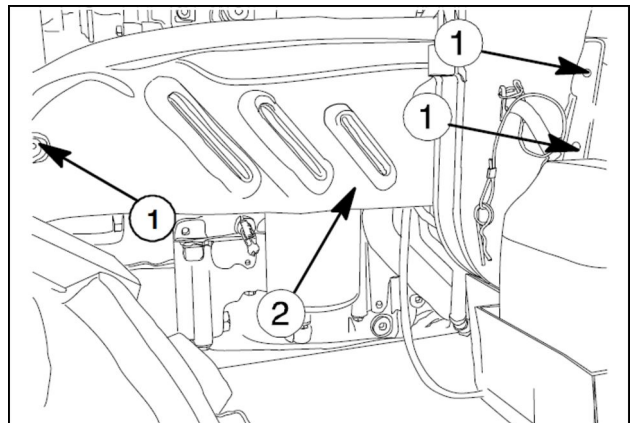
ANIL16TRO2585AA 4

7. Remove the two bonnet hinge bolts (1) and take out the spacers (2) lift the bonnet clear.



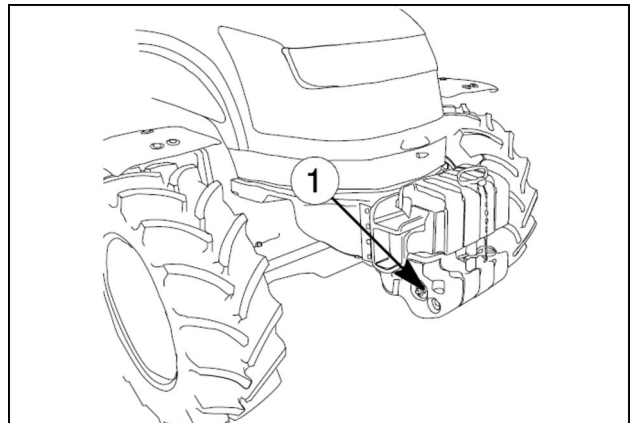
ANIL16TRO2586AA 5

8. Remove the three retaining bolts (1) and the guard (2) both on the right and left hand side of the engine.



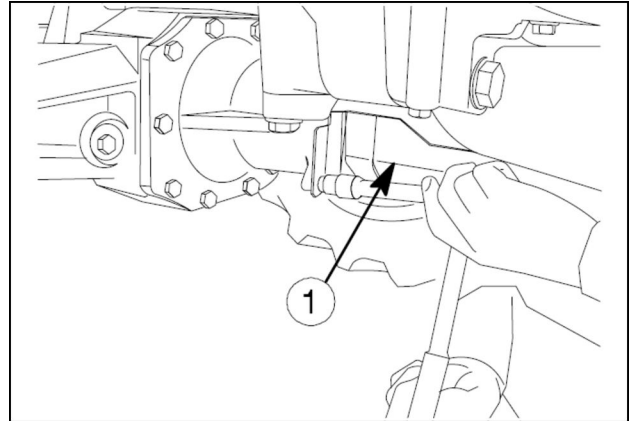
ANIL16TRO2587AA 6

9. Unscrew the nut (1) from the weight retaining pin. Remove the weights from the front support.



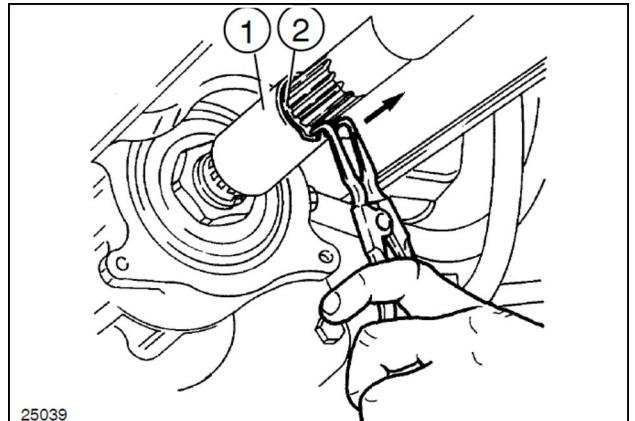
ANIL16TRO2588AA 7

10. Unscrew the front central and rear retaining bolts on the front axle shaft guard, then remove the guard (1) .



ANIL16TRO2589AA 8

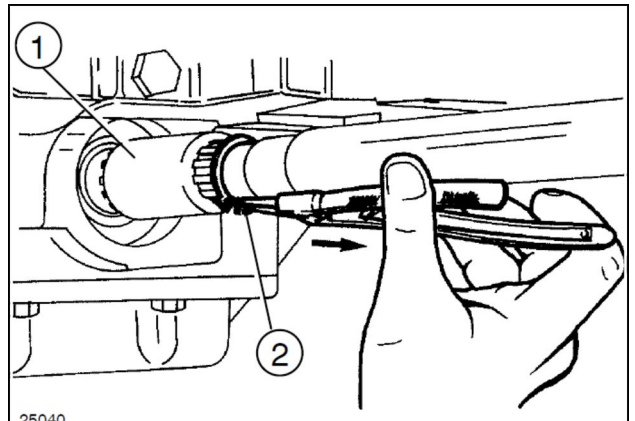
11. Remove the circlip (2) and move the front sleeve (1) in the direction indicated by the arrow until it is released from the groove on the front axle.



25039

ANIL16TRO2590AA 9

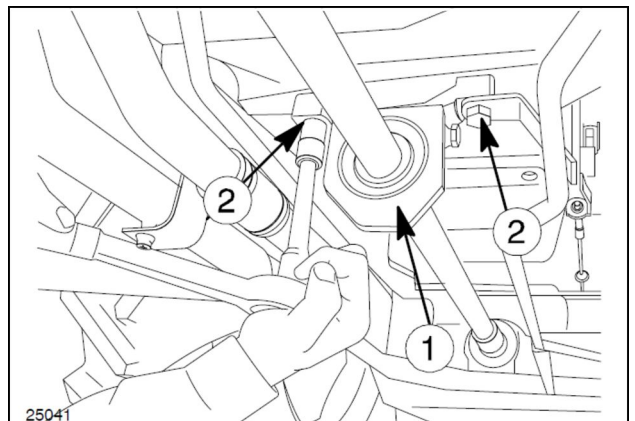
12. Remove the circlip (2) and move the rear sleeve (1) in the direction indicated by the arrow until it is released from the groove on the drive.



25040

ANIL16TRO2591AA 10

13. Remove the propeller shaft central support (1) retaining bolts (2) and extract the shaft together with the support



25041

ANIL16TRO2592AA 11



Suggest:

If the above button click is invalid.

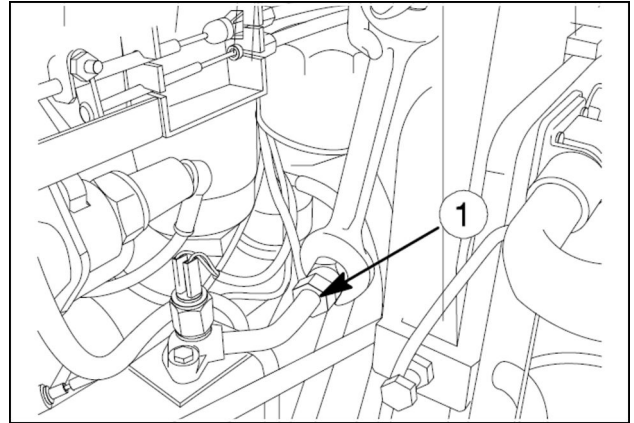
Please download this document

first, and then click the above link

to download the complete manual.

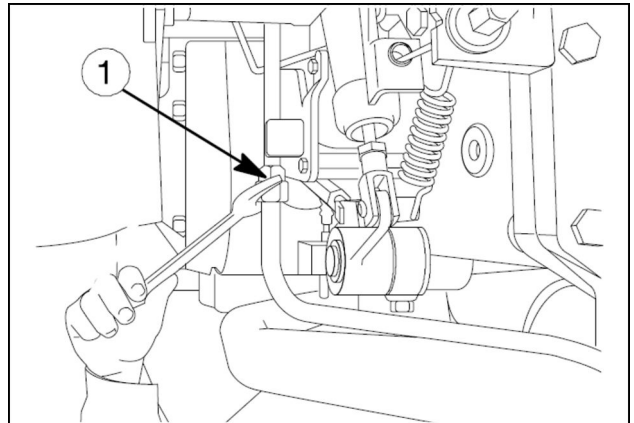
Thank you so much for reading

14. Disconnect the pressure pipe connection (1) of the hydrostatic steering pump.



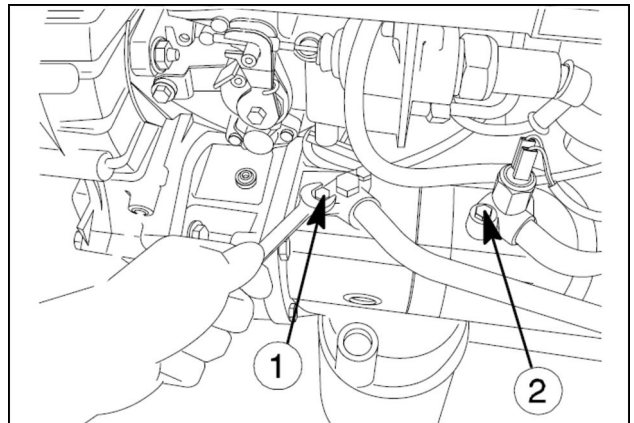
ANIL16TRO2593AA 12

15. Disconnect the pressure pipe connection (1) of the lift pump.



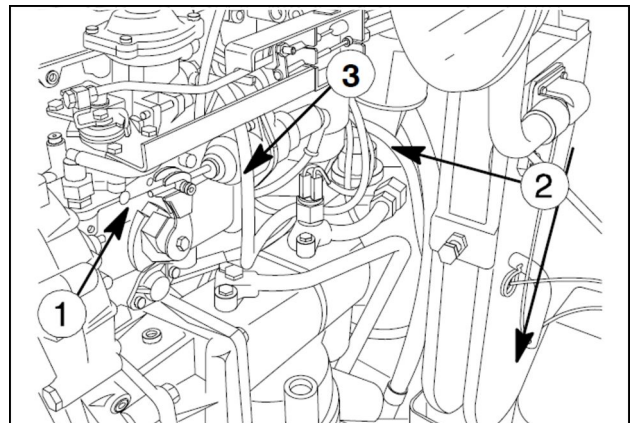
ANIL16TRO2594AA 13

16. Disconnect the delivery lines of both hydraulic lift pump (1) and hydrostatic steering pump (2) .



ANIL16TRO2595AA 14

17. Detach the diesel recovery pipe (3) and delivery pipe (2) to the diesel pump (1) .



ANIL16TRO2596AA 15

<https://www.ebooklibonline.com>

Hello dear friend!

Thank you very much for reading.

Enter the link into your browser.

The full manual is available for immediate download.

<https://www.ebooklibonline.com>