
TC29D, TC33D REPAIR MANUAL COMPLETE CONTENTS

SECTION 00 - GENERAL INFORMATION	2
SECTION 10 - ENGINE	3
SECTION 18 - CLUTCHES	7
SECTION 21 - GEAR TRANSMISSION	8
SECTION 25 - FWD AXLE	9
SECTION 27 - DIFFERENTIAL, REAR AXLE	11
SECTION 29 - HYDROSTATIC TRANSMISSION	11
SECTION 31 - POWER TAKE-OFF SYSTEMS	14
SECTION 33 - BRAKES	14
SECTION 35 - HYDRAULIC SYSTEM	15
SECTION 41 - STEERING SYSTEMS	16
SECTION 44 - WHEELS AND TIRES	17
SECTION 55 - ELECTRICAL SYSTEM	18
SECTION 90 - PLATFORM	20

The following pages are the collation of the contents pages from each section and chapter of the TC29D and TC33D Repair manual. Complete Repair part # 87036756

The sections used through out all New Holland product Repair manuals may not be used for each product. Each Repair manual will be made up of one or several books. Each book will be labeled as to which sections are in the overall Repair manual and which sections are in each book.

The sections listed above are the sections utilized for the TC29D and TC33D Tractors.

SECTION 00 - GENERAL INFORMATION

Chapter 1 - General Information

CONTENTS

Section	Description	Page
	Personal Safety	2
	Machine Safety	2
	Safety	3
	Precautionary Statements	3
	Servicing the Tractor	3
	Operating the Tractor	4
	Driving the Tractor	4
	Operating the PTO	5
	Diesel Fuel	5
	Safety Frame (ROPS)	5
	Safety Decals	6
	Instruction Decals	7
	Ecology and the Environment	11
	Specifications	13
00 400	Lubrication and Maintenance	24
	Lubrication	24
	Recommended Lubricants and Coolants	24
	Liquid Ballast (Optional)	25
	Tire Pressure	25

SAFETY

PRECAUTIONARY STATEMENTS

A careful operator is the best operator. Most accidents can be avoided by observing certain precautions. To help prevent accidents, read the following precautions before operating this equipment. Equipment should be operated only by those who are responsible and instructed to do so.

Carefully review the procedures given in this manual with all operators. It is important that all operators be familiar with and follow safety precautions.

THE TRACTOR

1. Read the Operator's Manual carefully before using the tractor. Lack of operating knowledge can lead to accidents.
2. Use an approved roll bar and seat belt for safe operation. Overturning a tractor without a roll bar can result in death or injury. If your tractor is not equipped with a roll bar and seat belt, see your New Holland Dealer.
3. Always use the seat belt. The only instance when the seat belt should not be used is if the roll bar has been removed from the tractor.
4. If a front end loader is to be installed, always use a FOPS (Falling Object Protective Structure) canopy to avoid injury from falling objects.
5. Use the handholds and step plates when getting on and off the tractor to prevent falls. Keep steps and platform cleared of mud and debris.
6. Do not permit anyone but the operator to ride on the tractor. There is no safe place for extra riders.
7. Keep all safety decals clean of dirt and grime, and replace all missing, illegible, or damaged safety decals. See the list of decals in the Decal section of this manual.
3. Keep the tractor and equipment, particularly brakes and steering, maintained in a reliable and satisfactory condition to ensure your safety and comply with legal requirements.
4. Keep open flame or cold weather starting aids away from the battery to prevent fires or explosions. Use jumper cables according to instructions to prevent sparks which could cause explosion.
5. Stop the engine before performing any service on the tractor.
6. Escaping hydraulic/diesel fluid under pressure can penetrate the skin causing serious injury. If fluid is injected into the skin, obtain medical attention immediately or gangrene may result.
 - DO NOT use your hand to check for leaks. Use a piece of cardboard or paper to search for leaks.
 - Stop the engine and relieve pressure before connecting or disconnecting lines.
 - Tighten all connections before starting the engine or pressurizing lines.
7. Do not modify or permit anyone else to modify or alter this tractor or any of its components or functions without first consulting a New Holland Dealer.

SERVICING THE TRACTOR

1. The cooling system operates under pressure which is controlled by the radiator cap. It is dangerous to remove the cap while the system is hot. Always turn the cap slowly to the first stop and allow pressure to escape before removing the cap entirely.
2. Keep any type of open flame away from the tractor and do not smoke while refueling. Wait for the engine to cool before refueling.
8. The fuel oil in the injection system is under high pressure and can penetrate the skin. Unqualified persons should not remove or attempt to adjust a pump, injector, nozzle, or any other part of the fuel injection system. Failure to follow these instructions can result in serious injury.
9. Continuous long-term contact with used engine oil may cause skin cancer. Avoid prolonged contact with used engine oil. Wash skin promptly with soap and water.

<https://www.ebooklibonline.com>

Hello dear friend!

Thank you very much for reading.

Enter the link into your browser.

The full manual is available for immediate download.

<https://www.ebooklibonline.com>

10. Some components of your tractor, such as gaskets and friction surfaces (brake linings, clutch linings, etc.) may contain asbestos. Breathing asbestos dust is dangerous to your health. You are advised to have any maintenance or repair on such components carried out by an authorized New Holland Dealer. However, if service operations are to be undertaken on parts that contain asbestos, the essential precautions listed below must be observed:
 - Work out of doors or in a well ventilated area.
 - Dust found on the tractor or produced during work on the tractor should be removed by extraction, not by blowing.
 - Dust waste should be dampened, placed in a sealed container, and marked to ensure safe disposal.
 - If any cutting, drilling, etc. is attempted on materials containing asbestos, the item should be dampened and only hand tools or low speed power tools used.
9. Pull only from the drawbar or the lower link drawbar in the down position. Use only a drawbar pin that locks in place. Pulling from the tractor rear axle or any point above the axle may cause the tractor to upset.
10. If the front end of the tractor tends to rise when heavy implements are attached to the three-point hitch, install front end or front wheel weights. Do not operate the tractor with a light front end.
11. Always set the hydraulic selector lever in position control when attaching or transporting equipment. Ensure hydraulic couplers are properly mounted and will disconnect safely in case of accidental detachment of implement.
12. Do not leave equipment in the raised position.
13. Use the flasher/turn signal lights and SMV signs when traveling on public roads both day and night (unless prohibited by law).
14. When operating at night, adjust lights to prevent blinding oncoming drivers.

OPERATING THE TRACTOR

1. Before starting the tractor, apply the parking brake, place the PTO lever in the "OFF" position, the lift control lever in the down position, the remote control valve levers in the neutral position, and the transmission in neutral.
2. Always sit in the tractor seat when starting the engine or operating controls. Do not start the engine or operate controls while standing beside the tractor.
3. Do not bypass the neutral start switches. Consult your New Holland Dealer if your neutral start controls malfunction. Use jumper cables only in the recommended manner. Improper use can result in tractor runaway.
4. Avoid accidental contact with the gear shift lever while the engine is running, as this can cause unexpected tractor movement.
5. Before getting off the tractor, disengage the PTO, turn the engine off, and apply the parking brake. Never get off the tractor while it is in motion.
6. Do not park the tractor on a steep incline.
7. Do not operate the tractor engine in an enclosed building without adequate ventilation. Exhaust fumes can cause death or illness.
8. If the power steering or engine ceases operating, stop the tractor immediately.

DRIVING THE TRACTOR

1. Watch where you are going, especially at row ends, on roads, around trees and low hanging obstacles.
2. To avoid upsets, drive the tractor with care and at a safe speed. Use extra caution when operating over rough ground, when crossing ditches or slopes, and when turning corners.
3. To provide two-wheel braking, lock tractor brake pedals together when transporting on roads.
4. Do not coast or free wheel down hills. Use the same gear when going downhill as is used when going uphill.
5. Any towed vehicle with a total weight exceeding that of the towing tractor should be equipped with brakes for safe operation.
6. If the tractor becomes stuck or the tires become frozen to the ground, back up the tractor to prevent upset.
7. Always check overhead clearance, especially when transporting the tractor.
8. When operating at night, adjust lights to prevent blinding oncoming drivers.

OPERATING THE PTO

1. When operating PTO driven equipment, shut off the engine and wait until the PTO stops before getting off the tractor and disconnecting the equipment.
2. Do not wear loose clothing when operating the power take-off or when near rotating equipment.
3. When operating stationary PTO driven equipment, always place both gear shift levers in neutral, apply the tractor parking brake, and block the rear wheels front and back.
4. To avoid injury, do not clean, adjust, unclog, or service PTO driven equipment when the tractor engine is running.
5. Ensure the PTO master shield is installed at all times. Always replace the PTO shield cap when the PTO is not in use.

DIESEL FUEL

1. UNDER NO CIRCUMSTANCES should gasoline, alcohol, or blended fuels be added to diesel fuel. These combinations can create an increased fire or explosive hazard. Such blends are more explosive than pure gasoline in a closed container such as a fuel tank. DO NOT USE THESE BLENDS.
2. Never remove the fuel cap or refuel with the engine running or hot.
3. Do not smoke while refueling or when standing near fuel.
4. Maintain control of the fuel filler pipe nozzle when filling the tank.
5. Do not fill the fuel tank to capacity. Allow room for expansion.

6. Wipe up spilled fuel immediately.
7. Always tighten the fuel tank cap securely.
8. If the original fuel tank cap is lost, replace it with a New Holland approved cap. A non-approved, proprietary cap may not be safe.
9. Keep equipment clean and properly maintained.
10. Do not drive equipment near open fires.
11. Never use fuel for cleaning purposes.
12. Arrange fuel purchases so that winter grade fuels are not held over and used in the spring.

SAFETY FRAME (ROPS)

Your New Holland tractor is equipped with a safety frame. It must be maintained in a serviceable condition. Be careful when driving through doorways or working in confined spaces with low headroom.

UNDER NO CIRCUMSTANCES should you:

- modify, drill, or alter the safety frame in any way. Doing so may render you liable to legal prosecution.
- attempt to straighten or weld any part of the main frame or retaining brackets which have suffered damage. Doing so may weaken the structure and endanger your safety.
- secure any parts on the main frame or attach your safety frame with anything other than the special high tensile bolts and nuts specified.
- attach chains or ropes to the main frame for pulling purposes.
- take unnecessary risks even though your safety frame affords you the maximum protection possible.



WHEN YOU SEE THIS SYMBOL

IT MEANS:

ATTENTION!

BECOME ALERT!

YOUR SAFETY IS INVOLVED!

SECTION 10 - ENGINE

Chapter 1 - Engine Systems

CONTENTS

Section	Description	Page
	General Information	3
	Description and Operation	3
	Cylinder Head and Valve Train Components	4
	Cylinder Block Assembly	4
	Engine Overhaul	6
	Engine Disassembly	6
	Fuel Injector and Glow Plug Removal	7
	Oil Pressure Switch	8
	Temperature Sending Switch and Alternator Removal	8
	Fan, Water Pump, and External Oil Tube Removal	8
	Air Inlet Manifold Removal	9
	Valve Cover Removal	9
	Rocker Arm Shaft and Support Bracket Removal	9
10 101	Cylinder Head Removal	10
	Valve Tappet Removal	10
	Fuel Shutoff Solenoid Removal	10
	Engine Timing Gear Cover, Timing Gears, and Cam Shaft	11
	Disassembly, Inspection, Fits, Clearances, and Assembly of Component Assemblies	16
10 101	Cylinder Head Disassembly	16
	Cylinder Head Inspection and Repair	16
	Valve Seats	17
	Valves	18
	Valve Guides	19
	Valve Springs	20
	Rocker Arms	20
	Push Rods	21
	Cylinder Head Assembly	22
	Cylinder Block	22
10 105	Pistons, Piston Rings, and Connecting Rods Disassembly and Inspection	23
	Pistons, Rings, and Connecting Rod Assembly	28
10 103	Crankshaft	29
	Crankshaft Bearing (Bushing) Inspection	30
	Crankshaft Bearing (Bushing) Replacement	31
	Crankshaft Main Bearing Assembly	31
	Port Block Removal	32
	Port Block Installation	32
10 106	Timing Gear	32
	Camshaft Disassembly	33
	Camshaft Inspection	33
	Camshaft Assembly	33
10 103	Flywheel	34
10 102	Timing Gear Housing	34

SECTION 10 - ENGINE - CHAPTER 1

	Engine Reassembly	35
10 103	Crankshaft and Bearing Holder Reassembly	35
	Rear Oil Seal and Backplate Assembly	35
	Flywheel	36
10 105	Pistons and Connecting Rods	36
	Oil Suction Pipe and Suction Strainer	37
	Oil Sump	37
10 106	Timing Gear Cover, Timing Gears, and Camshaft Assembly	38
10 106	Idle Gear, Oil Pump, and Injection Timing	38
	Timing Gear Cover	38
	Crankshaft Pulley	39
	Fuel Injection Pump Assembly	39
	Power Steering Pump	39
10 101	Head Gasket Selection	40
	Head Gasket Selection Chart	40
	Cylinder Head Assembly	40
10 106	Valve Clearance Adjustment	41
	Valve Cover	42
	Water Pump and Cooling Fan Assembly	42
	Air Intake Manifold Assembly	42
	External Oil Tube	43
	Glow Plug and Connector	43
	Fuel Injector	43
10 218	Fuel Piping	44
	Alternator and Temperature Sender Switch	44
	Exhaust Manifold	44
	Engine Lubrication System	45
10 304	Description	45
10 206	Oil Filter	48
10 304	Oil Pump	48
	Engine Oil Pressure Check	50
	Oil Pressure Relief Valve	51
	Oil Consumption	51
	Cooling System	52
10 400	Description and Operation	52
	Maintenance	54
	Coolant	54
	Radiator Cap	54
10 402	Thermostat	55
10 402	Water Pump	55
10 414	Cooling Fan	55
	Cooling System Overhaul	56
10 406	Radiator	56
10 402	Water Pump	60
10 402	Thermostat	62
	Troubleshooting	64
	Specifications	68
	Metric Bolt Torque Specifications	76
	Special Tools	77

GENERAL INFORMATION

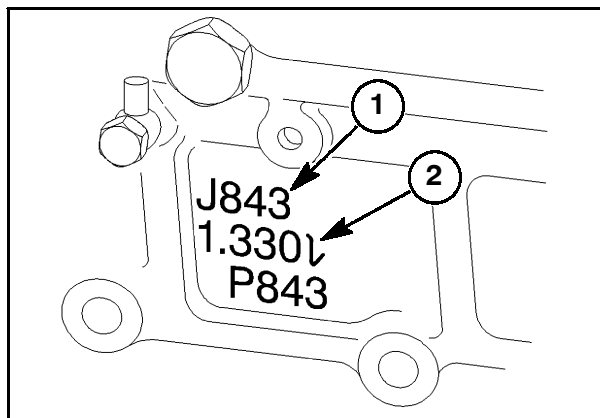
DESCRIPTION AND OPERATION

This chapter describes the engine overhaul and repair procedures of the Models TC29D and TC33D tractors. Repair procedures are essentially the same for all models except as noted in the repair procedures.

The tractors are equipped with three-cylinder in-line engines. They are all four cycle, overhead valve, liquid cooled engines. The engines are identified by a code, 1, cast into the lower right side of the cylinder block.

NOTE: Numeric value, 2, under the Engine Code indicates displacement of the engine in liters.

Engine Identification	Tractor Model	Engine Power Hp (Kw)
J843	TC29D	29 (21.6)
N843	TC33D	33 (24.6)



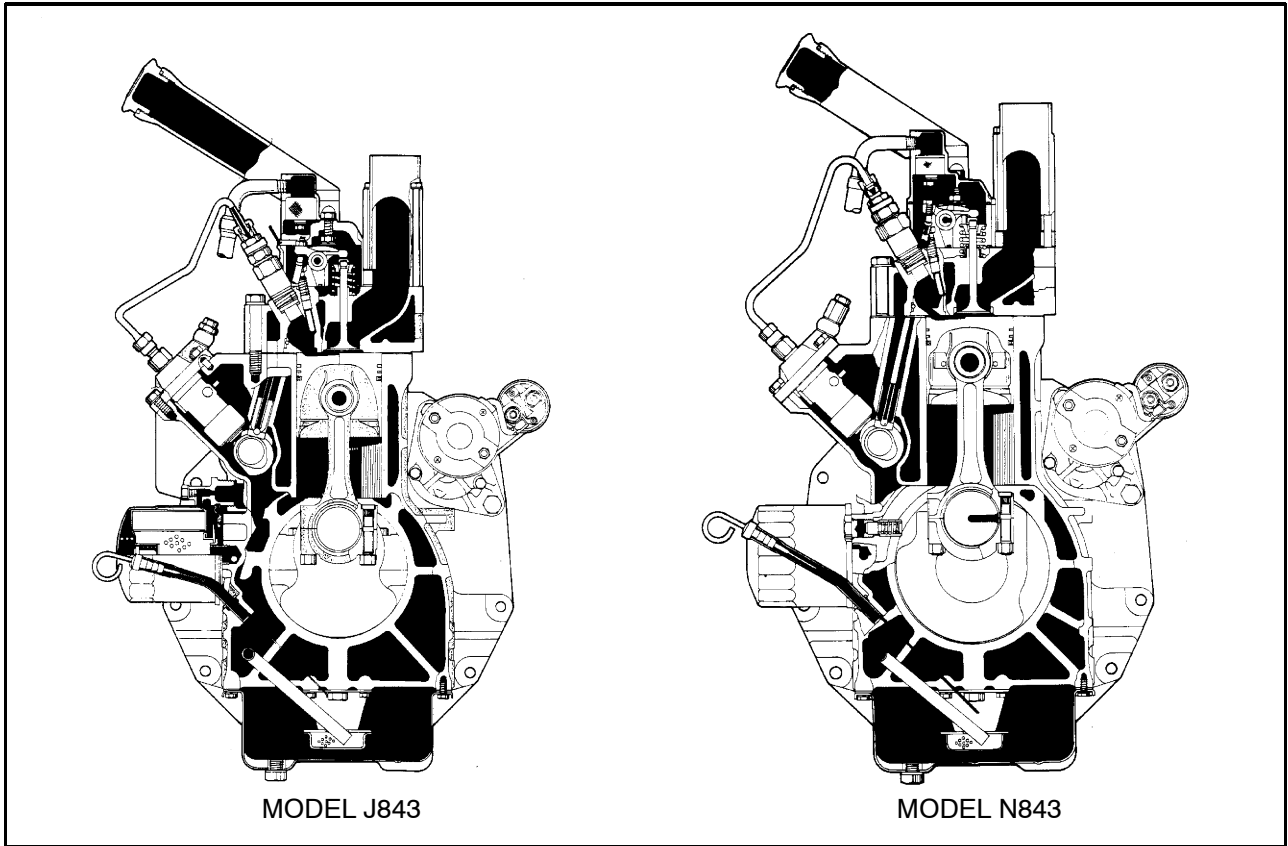
1

CYLINDER HEAD AND VALVE TRAIN COMPONENTS

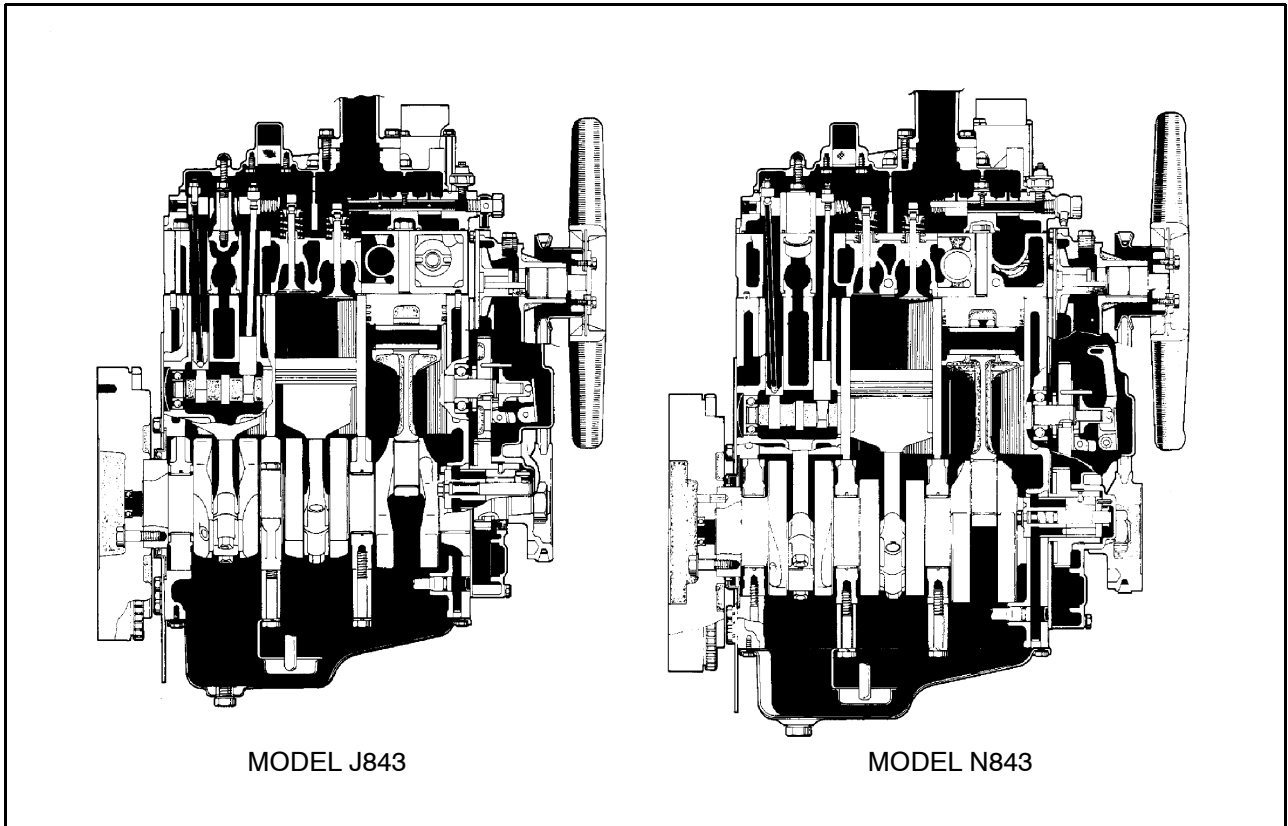
The cylinder head incorporates the valve assemblies, rocker arms, rocker shaft, push rods, and lifters. A swirl chamber located between the injector assembly and the main combustion chamber of the cylinders provides improved starting and greater fuel efficiency. Initial combustion starts in the precombustion chamber and as the expansion occurs a strong swirl pattern is created in the main combustion chamber for more complete combustion of the air-fuel mixture. The air intake manifold is separate from the cast aluminum valve cover on all these engines. The exhaust manifold is bolted on the left-hand side of the cylinder head on each of the models. Cylinder heads have integral valve guides. Standard size valves only are used. Figure 2 provides a cut-away front view of an engine.

CYLINDER BLOCK ASSEMBLY

The cylinder block assembly contains the pistons, connecting rods, crankshaft, timing gears, and engine oil pump. The crankshaft is supported on four main bearings. The front bearing is positioned in a bore in front of the block. The second, third, and fourth bearings are split liners located in holders bolted to the block. The camshaft is supported on two ball bearings located on each end of the block. Figure 3 provides a cutaway side view of the engine.



2

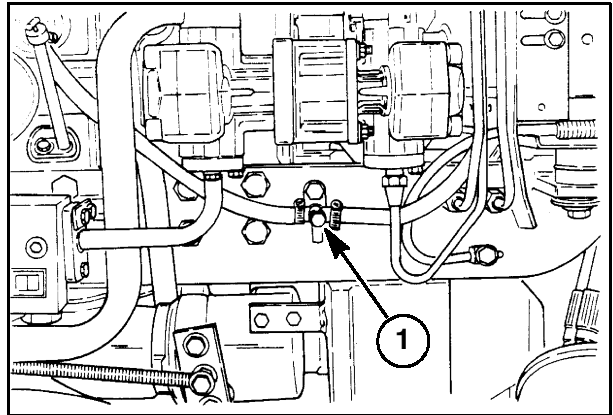


3

ENGINE OVERHAUL

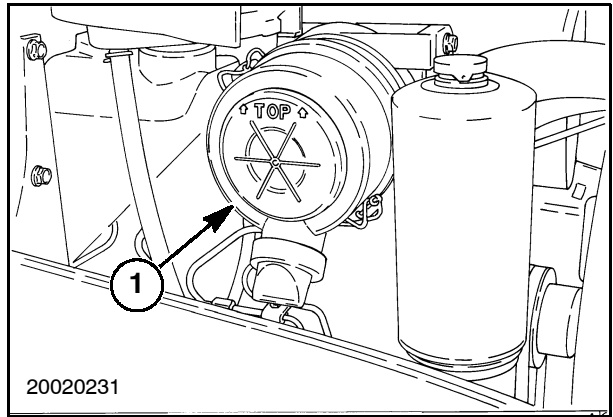
ENGINE DISASSEMBLY

1. Turn coolant tap bolt, 1, counterclockwise to drain fluid. Remove the radiator assembly. See "Radiator Removal", discussed later in this section.



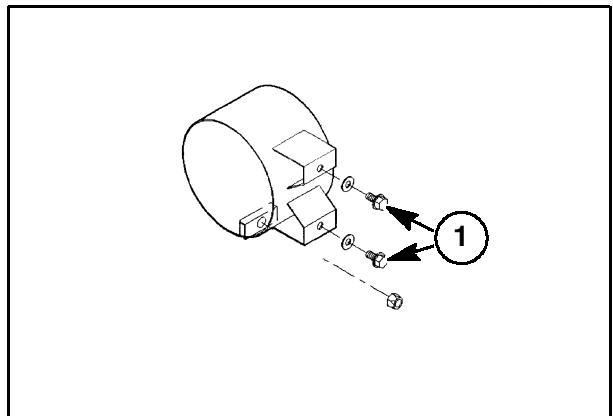
4

2. Remove the air cleaner assembly, 1, along with the air cleaner hoses.



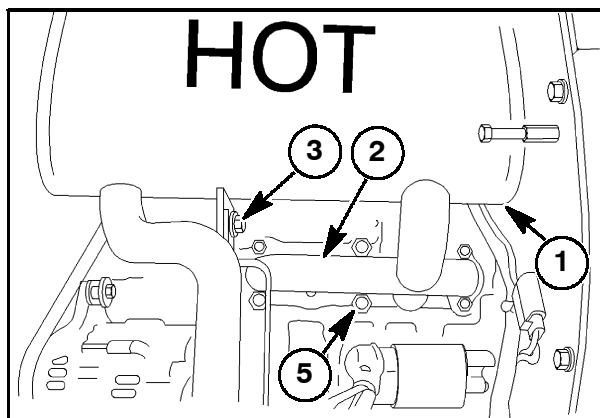
5

3. Remove bolts, 1, for final removal of air cleaner assembly.

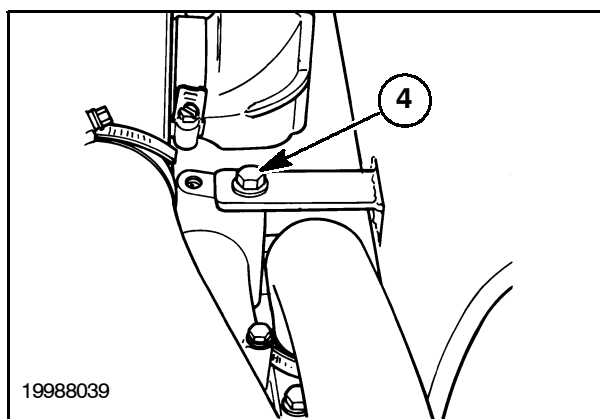


6

4. Remove the exhaust muffler, 1, and manifold assembly, 2. Loosen bolt, 3, and bolt, 4, Figure 8, to remove exhaust muffler. Loosen six bolts, 5, to remove exhaust manifold.



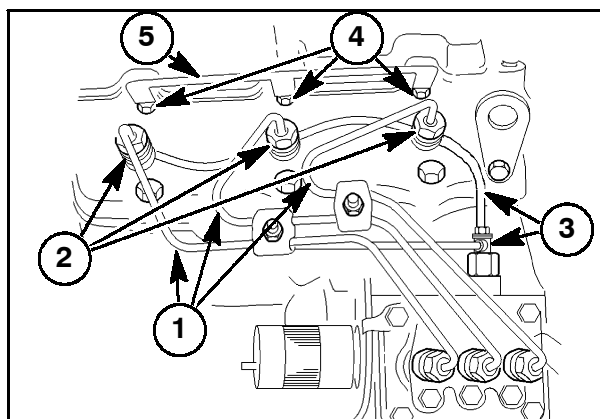
7



8

FUEL INJECTOR AND GLOW PLUG REMOVAL

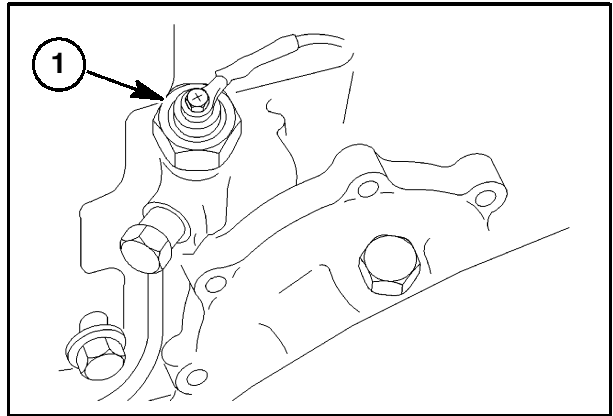
1. Clean all dirt and oil from the injectors and surrounding areas.
2. Disconnect the fuel lines, 1, from the injectors and cap all openings.
3. Remove the injector fuel leak-off line, 3.
4. Remove the injector assemblies, 2.
5. Remove the glow plug bus connector, 5, and remove the glow plugs, 4.



9

OIL PRESSURE SWITCH

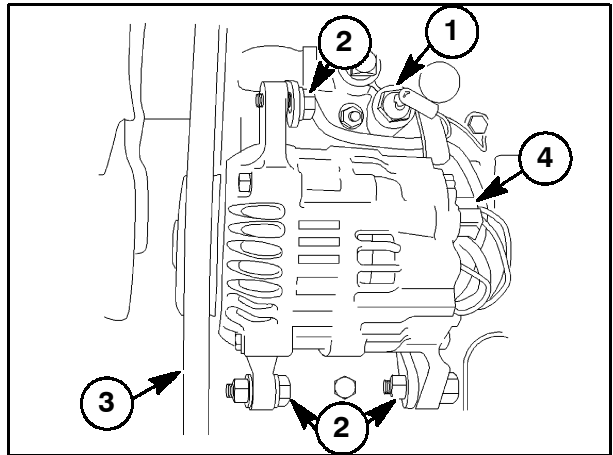
Remove the oil pressure switch, 1.



10

TEMPERATURE SENDING SWITCH AND ALTERNATOR REMOVAL

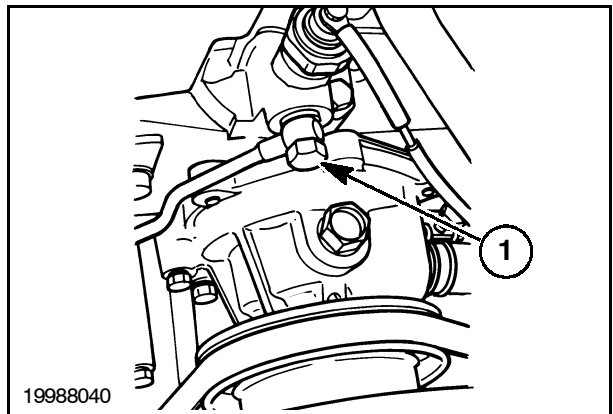
1. Remove the temperature sending switch, 1, from the front of the cylinder head.
2. Loosen the alternator mounting bolts, 2, and remove the V-belt, 3, from the drive pulley.
3. Disconnect the alternator wires from the back of alternator, 4.
4. Remove the alternator mounting bolts, 2, and remove the alternator.



11

FAN, WATER PUMP, AND EXTERNAL OIL TUBE REMOVAL

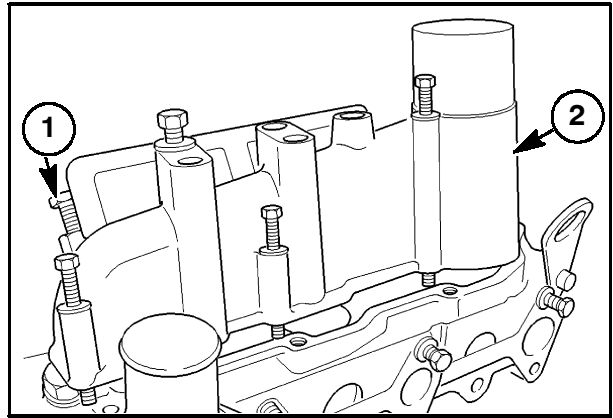
1. Remove the fan and water pump assembly. See "Fan Removal" and "Water Pump Removal" discussed later in this section.
2. Remove the external oil transfer tube banjo bolt, 1, from the front of the cylinder head.



12

AIR INLET MANIFOLD REMOVAL

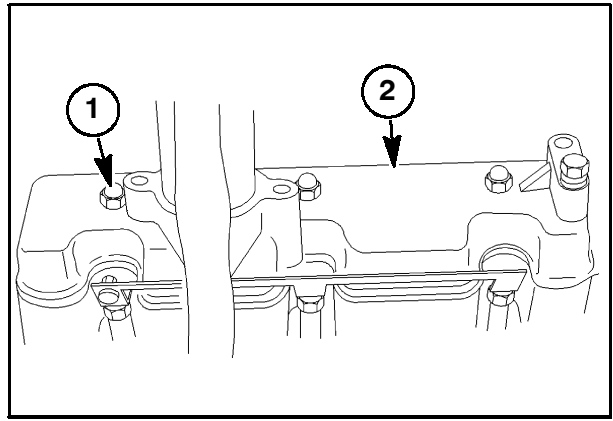
Remove the six retaining bolts, 1, and remove the air inlet manifold assembly, 2.



13

VALVE COVER REMOVAL

Loosen the three bolts, 1, to remove the valve cover, 2.

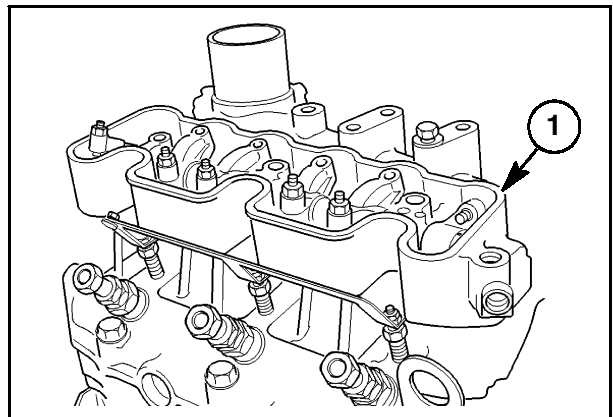


14

ROCKER ARM SHAFT AND SUPPORT BRACKET REMOVAL

Remove the rocker arm shaft and support bracket as an assembly, 1.

NOTE: Alternately loosen the rocker support bolts a turn at a time to prevent distorting the rocker shaft.



15

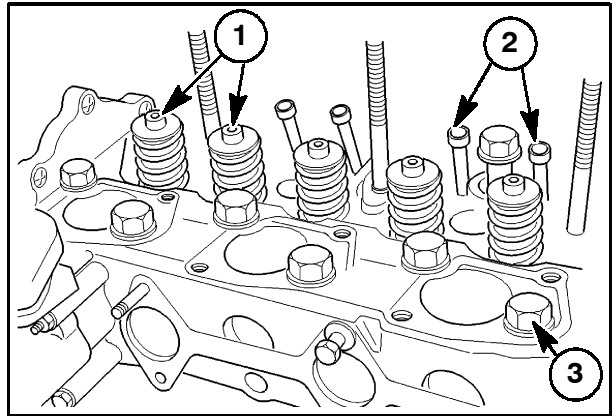
Op. 10 101

CYLINDER HEAD REMOVAL

1. Remove the valve stem caps, 1, and push rods, 2.

NOTE: Keep all valve components in separately marked containers for re-assembly in their original location.

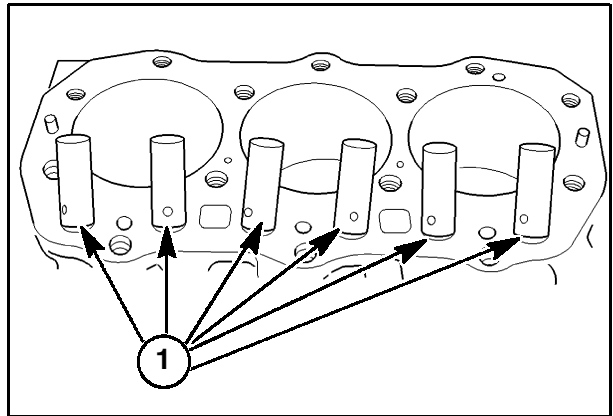
2. To remove the cylinder head, remove the cylinder head bolts, 3, by alternately loosening a half turn at a time to prevent warping the head.



16

VALVE TAPPET REMOVAL

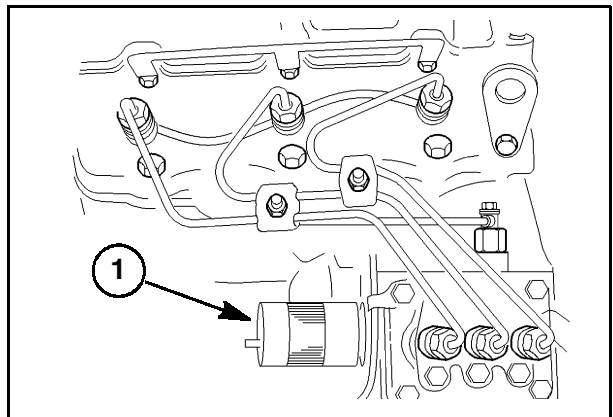
Remove the valve tappets, 1, from the machined bore in the cylinder block.



17

FUEL SHUTOFF SOLENOID REMOVAL

Remove the wire connector and unscrew the fuel shutoff solenoid, 1.

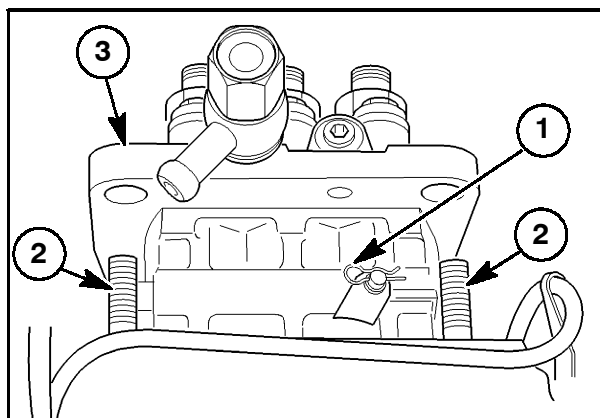


18

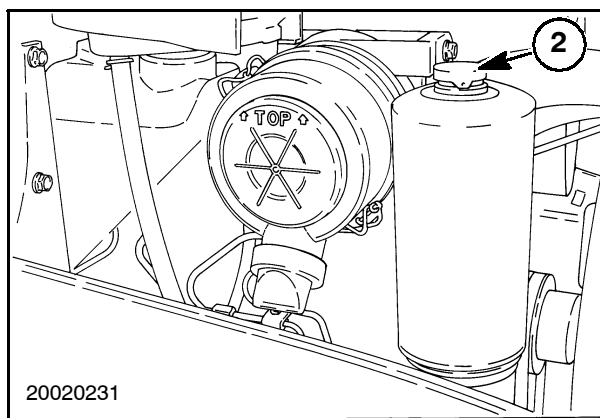
ENGINE TIMING GEAR COVER, TIMING GEARS, AND CAM SHAFT

Timing Gear Cover Removal

1. Drain the engine crankcase oil.
2. Remove the crankshaft pulley.
3. Disconnect the throttle control rod at the injection pump.
4. Loosen the four injection pump mounting bolts, 2, and raise the injection pump, 3, enough to remove the spring pin, 1, and separate the governor link from the control rack. Remove the injection pump.
5. Remove the power steering pump reservoir tank dipstick-filler cap, 2.

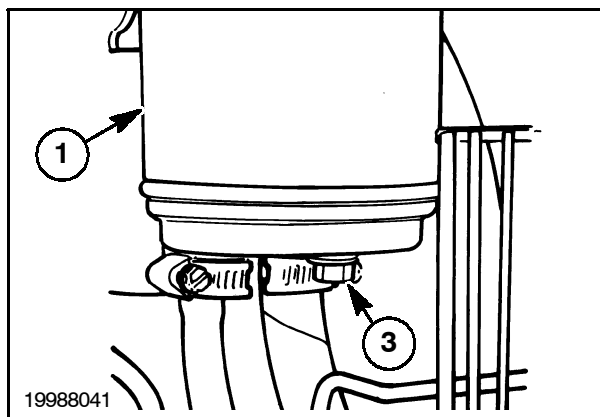


19



20

6. Remove the reservoir drain plug, 3, and drain the hydraulic fluid out of the reservoir tank, 1, into a suitable container.



21



Suggest:

If the above button click is invalid.

Please download this document

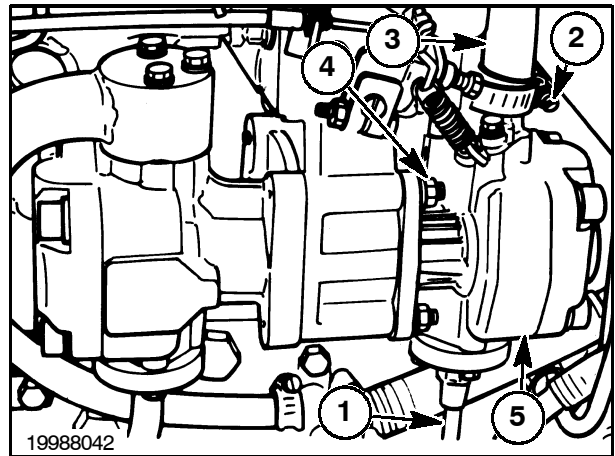
first, and then click the above link

to download the complete manual.

Thank you so much for reading

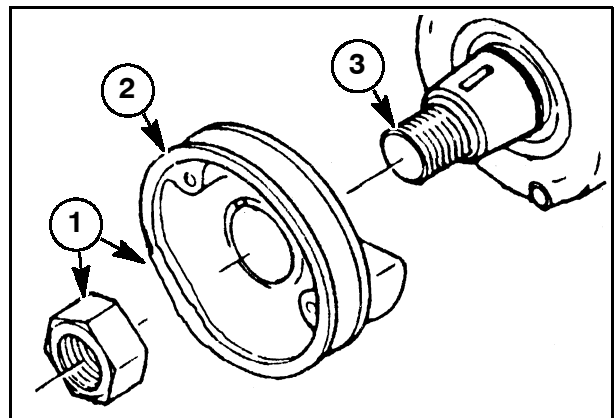
SECTION 10 - ENGINE - CHAPTER 1

7. Loosen the hose clamp, 2, on the suction tube, 3, and remove the suction hose from the steering pump, 5.
8. Remove the pressure tube, 1, from the bottom of the steering pump.
9. Remove the through bolts, 4, and remove the steering pump from the front cover. Cap the lines and pump openings.



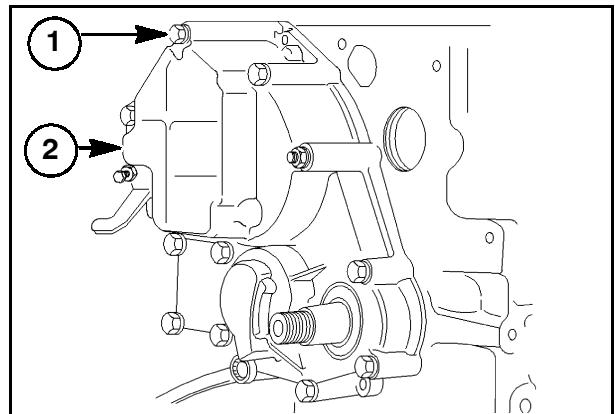
22

10. Remove retaining nut. Pull crankshaft pulley, 2, off of crankshaft, 3.



23

11. Remove the retaining bolts, 1, and lift the cover, 2, off the locating dowels.



24

<https://www.ebooklibonline.com>

Hello dear friend!

Thank you very much for reading.

Enter the link into your browser.

The full manual is available for immediate download.

<https://www.ebooklibonline.com>