

# SERVICE MANUAL

**T7.175 / T7.190 / T7.210**

**T7.175 AutoCommand™ / T7.190 AutoCommand™**

**T7.210 AutoCommand™ / T7.225 AutoCommand™**

**Stage IV**

**Tractor**

Part number 47936461

English

November 2015





## **SERVICE MANUAL**

**T7.175 AutoCommand™ , T7.175 , T7.190 AutoCommand™ , T7.190 , T7.210  
AutoCommand™ , T7.210 , T7.225 AutoCommand™**

# Link Product / Engine

---

<b>Product</b>	<b>Market Product</b>	<b>Engine</b>
T7.175 AutoCommand™	Europe	F4DFE613P*B003
T7.190 AutoCommand™	Europe	F4DFE613N*B006
T7.210 AutoCommand™	Europe	F4DFE613M*B003
T7.225 AutoCommand™	Europe	F4DFE613K*B008
T7.175	Europe	F4DFE613P*B003
T7.190	Europe	F4DFE613N*B006
T7.210	Europe	F4DFE613M*B003

**<https://www.ebooklibonline.com>**

Hello dear friend!

Thank you very much for reading.

Enter the link into your browser.

The full manual is available for immediate download.

**<https://www.ebooklibonline.com>**

# Contents

---

## INTRODUCTION

<b>Engine</b> .....	<b>10</b>
[10.001] Engine and crankcase .....	10.1
[10.101] Cylinder heads .....	10.2
[10.216] Fuel tanks .....	10.3
[10.210] Lift pump and lines .....	10.4
[10.218] Fuel injection system.....	10.5
[10.202] Air cleaners and lines .....	10.6
[10.250] Turbocharger and lines.....	10.7
[10.254] Intake and exhaust manifolds and muffler .....	10.8
[10.500] Selective Catalytic Reduction (SCR) exhaust treatment.....	10.9
[10.400] Engine cooling system .....	10.10
[10.414] Fan and drive .....	10.11
[10.408] Oil cooler and lines.....	10.12
<b>Clutch</b> .....	<b>18</b>
[18.112] Slip clutch or flywheel damper .....	18.1
<b>Transmission</b> .....	<b>21</b>
[21.111] Semi-Powershift transmission .....	21.1
[21.133] Semi-Powershift transmission external controls .....	21.2
[21.103] Semi-Powershift transmission lubrication system.....	21.3
[21.152] Semi-Powershift transmission internal components .....	21.4
[21.113] Powershift transmission .....	21.5
[21.504] Continuously Variable Transmission (CVT) .....	21.6
[21.505] Continuously Variable Transmission (CVT) external controls.....	21.7
[21.506] Continuously Variable Transmission (CVT) lubrication system .....	21.8
[21.507] Continuously Variable Transmission (CVT) internal components .....	21.9
[21.160] Creeper .....	21.10

[21.166] Overdrive .....	21.11
<b>Four-Wheel Drive (4WD) system .....</b>	<b>23</b>
[23.202] Electro-hydraulic control .....	23.1
[23.314] Drive shaft.....	23.2
<b>Front axle system .....</b>	<b>25</b>
[25.100] Powered front axle .....	25.1
[25.102] Front bevel gear set and differential .....	25.2
[25.108] Final drive hub, steering knuckles, and shafts .....	25.3
[25.122] Axle suspension control.....	25.4
<b>Rear axle system.....</b>	<b>27</b>
[27.100] Powered rear axle.....	27.1
[27.106] Rear bevel gear set and differential.....	27.2
[27.120] Planetary and final drives .....	27.3
[27.126] Spur gear and final drives.....	27.4
<b>Power Take-Off (PTO).....</b>	<b>31</b>
[31.101] Rear mechanical control .....	31.1
[31.104] Rear electro-hydraulic control.....	31.2
[31.114] Two-speed rear Power Take-Off (PTO) .....	31.3
[31.116] Three-speed rear Power Take-Off (PTO) .....	31.4
[31.146] Front Power Take-Off (PTO).....	31.5
<b>Brakes and controls .....</b>	<b>33</b>
[33.202] Hydraulic service brakes .....	33.1
[33.300] Pneumatic service brakes.....	33.2
[33.110] Parking brake or parking lock .....	33.3
[33.220] Trailer brake hydraulic control.....	33.4
[33.224] Trailer brake pneumatic control .....	33.5
<b>Hydraulic systems.....</b>	<b>35</b>

[35.000] Hydraulic systems .....	35.1
[35.300] Reservoir, cooler, and filters .....	35.2
[35.106] Variable displacement pump .....	35.3
[35.105] Charge pump .....	35.4
[35.220] Auxiliary hydraulic pump .....	35.5
[35.322] Regulated/Low pressure system .....	35.6
[35.204] Remote control valves .....	35.7
[35.114] Three-point hitch control valve .....	35.8
[35.160] Front hitch controls and lines .....	35.9
[35.162] Front hitch cylinders and lines .....	35.10
<b>Pneumatic system .....</b>	<b>36</b>
[36.100] Pneumatic system .....	36.1
<b>Hitches, drawbars, and implement couplings .....</b>	<b>37</b>
[37.110] Rear three-point hitch .....	37.1
[37.120] Rear three-point hitch linkage .....	37.2
[37.162] Front hitch .....	37.3
<b>Frames and ballasting .....</b>	<b>39</b>
[39.100] Frame .....	39.1
<b>Steering .....</b>	<b>41</b>
[41.101] Steering control .....	41.1
[41.106] Tie rods .....	41.2
[41.200] Hydraulic control components .....	41.3
[41.216] Cylinders .....	41.4
[41.432] Autoguidance steering .....	41.5
<b>Wheels .....</b>	<b>44</b>
[44.511] Front wheels .....	44.1
[44.520] Rear wheels .....	44.2
<b>Cab climate control .....</b>	<b>50</b>

[50.100] Heating .....	50.1
[50.104] Ventilation .....	50.2
[50.200] Air conditioning .....	50.3
<b>Electrical systems .....</b>	<b>55</b>
[55.000] Electrical system .....	55.1
[55.100] Harnesses and connectors .....	55.2
[55.015] Engine control system .....	55.3
[55.301] Alternator .....	55.4
[55.302] Battery .....	55.5
[55.011] Fuel tank system .....	55.6
[55.010] Fuel injection system .....	55.7
[55.988] Selective Catalytic Reduction (SCR) electrical system .....	55.8
[55.640] Electronic modules .....	55.9
[55.513] Cab transmission controls .....	55.10
[55.020] Transmission speed sensors .....	55.11
[55.021] Transmission pressure sensors .....	55.12
[55.022] Transmission temperature sensors .....	55.13
[55.023] Transmission position sensors .....	55.14
[55.610] Ground speed control .....	55.15
[55.045] Front axle control system .....	55.16
[55.048] Rear Power Take-Off (PTO) control system .....	55.17
[55.030] Service brake electrical system .....	55.18
[55.031] Parking brake electrical system .....	55.19
[55.512] Cab controls .....	55.20
[55.035] Remote control valve electric control .....	55.21
[55.051] Cab Heating, Ventilation, and Air-Conditioning (HVAC) controls .....	55.22
[55.050] Heating, Ventilation, and Air-Conditioning (HVAC) control system .....	55.23
[55.047] Steering control system .....	55.24

[55.130] Rear three-point hitch electronic control system .....	55.25
[55.911] Global Positioning System (GPS) .....	55.26
[55.510] Cab or platform harnesses and connectors .....	55.27
[55.408] Warning indicators, alarms, and instruments .....	55.28
[55.DTC] FAULT CODES .....	55.29
<b>Platform, cab, bodywork, and decals .....</b>	<b>90</b>
[90.150] Cab .....	90.1
[90.100] Engine hood and panels .....	90.2
[90.116] Fenders and guards .....	90.3



# INTRODUCTION

# Contents

---

## INTRODUCTION

Foreword - Important notice regarding equipment servicing .....	3
Foreword - How to use and navigate through this manual .....	4
Safety rules .....	9
Safety rules - Ecology and the environment .....	13
Basic instructions .....	14
Torque .....	16
Conversion factors .....	18
Hydraulic contamination .....	19
Consumables Lubrications and coolants .....	20
Capacities .....	23

---

## **Foreword - Important notice regarding equipment servicing**

All repair and maintenance work listed in this manual must be carried out only by qualified dealership personnel, strictly complying with the instructions given, and using, whenever possible, the special tools.

Anyone who performs repair and maintenance operations without complying with the procedures provided herein shall be responsible for any subsequent damages.

The manufacturer and all the organizations of its distribution chain, including - without limitation - national, regional, or local dealers, reject any responsibility for damages caused by parts and/or components not approved by the manufacturer, including those used for the servicing or repair of the product manufactured or marketed by the manufacturer. In any case, no warranty is given or attributed on the product manufactured or marketed by the manufacturer in case of damages caused by parts and/or components not approved by the manufacturer.

The manufacturer reserves the right to make improvements in design and changes in specifications at any time without notice and without incurring any obligation to install them on units previously sold. Specifications, descriptions, and illustrative material herein are as accurate as known at time of publication but are subject to change without notice.

In case of questions, refer to your NEW HOLLAND Sales and Service Networks.

---

## Foreword - How to use and navigate through this manual

This manual has been produced by a new technical information system. This new system is designed to deliver technical information electronically through web delivery (eTIM), DVD, and paper manuals. A coding system called SAP has been developed to link the technical information to other Product Support functions, e.g., Warranty.

Technical information is written to support the maintenance and service of the functions or systems on a customer's machine. When a customer has a concern on their machine it is usually because a function or system on their machine is not working at all, is not working efficiently, or is not responding correctly to their commands. When you refer to the technical information in this manual to resolve that customer's concern, you will find all the information classified using the SAP coding, according to the functions or systems on that machine. Once you have located the technical information for that function or system, you will then find all the mechanical, electrical or hydraulic devices, components, assemblies, and sub assemblies for that function or system. You will also find all the types of information that have been written for that function or system: the technical data (specifications), the functional data (how it works), the diagnostic data (fault codes and troubleshooting), and the service data (remove, install adjust, etc.).

By integrating SAP coding into technical information, you will be able to search and retrieve just the right piece of technical information you need to resolve that customer's concern on his machine. This is made possible by attaching 3 categories to each piece of technical information during the authoring process.

The first category is the Location, the second category is the Information Type and the third category is the Product:

- LOCATION - the component or function on the machine, that the piece of technical information is going to describe (e.g., Fuel tank).
- INFORMATION TYPE - the piece of technical information that has been written for a particular component or function on the machine (e.g., Capacity would be a type of Technical Data describing the amount of fuel held by the fuel tank).
- PRODUCT - the model for which the piece of technical information is written.

Every piece of technical information will have those three categories attached to it. You will be able to use any combination of those categories to find the right piece of technical information you need to resolve that customer's concern on their machine.

That information could be:

- the procedure for how to remove the cylinder head
- a table of specifications for a hydraulic pump
- a fault code
- a troubleshooting table
- a special tool



# **SERVICE MANUAL**

## **Engine**

**T7.175 AutoCommand™ , T7.175 , T7.190 AutoCommand™ , T7.190 , T7.210  
AutoCommand™ , T7.210 , T7.225 AutoCommand™**

# Contents

---

## Engine - 10

[10.001] Engine and crankcase .....	10.1
[10.101] Cylinder heads .....	10.2
[10.216] Fuel tanks .....	10.3
[10.210] Lift pump and lines .....	10.4
[10.218] Fuel injection system.....	10.5
[10.202] Air cleaners and lines .....	10.6
[10.250] Turbocharger and lines.....	10.7
[10.254] Intake and exhaust manifolds and muffler .....	10.8
[10.500] Selective Catalytic Reduction (SCR) exhaust treatment.....	10.9
[10.400] Engine cooling system .....	10.10
[10.414] Fan and drive .....	10.11
[10.408] Oil cooler and lines.....	10.12



## **Engine - 10**

### **Engine and crankcase - 001**

**T7.175 AutoCommand™ , T7.175 , T7.190 AutoCommand™ , T7.190 , T7.210  
AutoCommand™ , T7.210 , T7.225 AutoCommand™**

# Contents

---

## Engine - 10

### Engine and crankcase - 001

#### SERVICE

##### Engine

Disconnect .....	3
T7.175 AutoCommand™ --- WE, T7.175 --- WE, T7.190 AutoCommand™ --- WE, T7.190 --- WE, T7.210 AutoCommand™ --- WE, T7.210 --- WE	
Connect .....	20
T7.175 AutoCommand™ --- WE, T7.175 --- WE, T7.190 AutoCommand™ --- WE, T7.190 --- WE, T7.210 AutoCommand™ --- WE, T7.210 --- WE	
Remove .....	37
T7.175 AutoCommand™ --- WE, T7.175 --- WE, T7.190 AutoCommand™ --- WE, T7.190 --- WE, T7.210 AutoCommand™ --- WE, T7.210 --- WE	
Install .....	50
T7.175 AutoCommand™ --- WE, T7.175 --- WE, T7.190 AutoCommand™ --- WE, T7.190 --- WE, T7.210 AutoCommand™ --- WE, T7.210 --- WE	



**Suggest:**

**If the above button click is invalid.**

**Please download this document**

**first, and then click the above link**

**to download the complete manual.**

**Thank you so much for reading**

## Engine - Disconnect

T7.175 AutoCommand™	WE
T7.175	WE
T7.190 AutoCommand™	WE
T7.190	WE
T7.210 AutoCommand™	WE
T7.210	WE

**Prior operation:**

Discharge the Air conditioning system, for further information refer to **Air conditioning - Discharging (50.200)**

**Prior operation:**

Drain the engine cooling system, for further information refer to **Engine cooling system - Drain fluid (10.400)**

**Prior operation:**

Remove the Selective Catalytic Reduction (SCR) muffler, for further information refer to **Selective Catalytic Reduction (SCR) muffler and catalyst - Remove (10.500)**

**Prior operation:**

Remove the left-hand fuel tank, for further information refer to **Fuel tank - Remove (10.216)**

**Prior operation:**

Disconnect the battery, for further information refer to **Battery - Disconnect (55.302)**

### ⚠ WARNING

**Heavy objects!**

Lift and handle all heavy components using lifting equipment with adequate capacity. Always support units or parts with suitable slings or hooks. Make sure the work area is clear of all bystanders.

Failure to comply could result in death or serious injury.

W0398A

### ⚠ WARNING

**Avoid injury!**

Handle all parts carefully. Do not place your hands or fingers between parts. Use Personal Protective Equipment (PPE) as indicated in this manual, including protective goggles, gloves, and safety footwear.

Failure to comply could result in death or serious injury.

W0208A

### 1. ⚠ WARNING

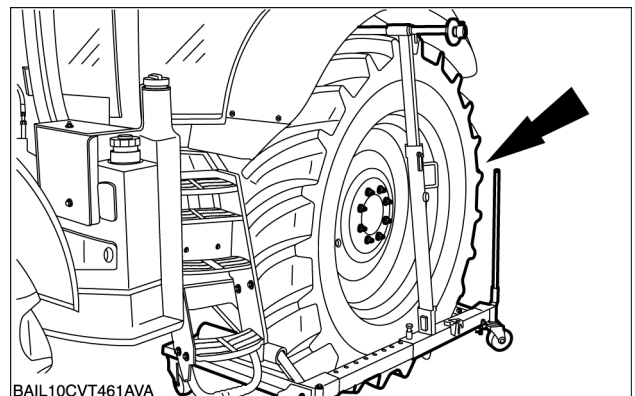
**Crushing hazard!**

The wheels on this vehicle are very heavy. Always use a wheel remover or chain hoists to remove and install the wheels. Use an assistant as required.

Failure to comply could result in death or serious injury.

W0149A

Install the left-hand rear wheel.



BAIL10CVT461AVA 1

**<https://www.ebooklibonline.com>**

Hello dear friend!

Thank you very much for reading.

Enter the link into your browser.

The full manual is available for immediate download.

**<https://www.ebooklibonline.com>**