

# SERVICE MANUAL

**T5.110 Electro Command™**

**T5.120 Electro Command™**

Tractor

**Part number 48038068**

2<sup>nd</sup> edition English

October 2017

*Replaces part number 47985319*





## **SERVICE MANUAL**

**T5.110 Electro Command™ With 16x16 Semi-Powershift transmission  
[ZFLC00554 - ]**

**T5.120 Electro Command™ With 16x16 Semi-Powershift transmission  
[ZFLC00657 - ]**

# Link Product / Engine

---

<b>Product</b>	<b>Market Product</b>	<b>Engine</b>
T5.110 Electro Command™ With 16x16 Semi-Powershift transmission [ZFLC00554 - ]	North America	F5GFL413B*B015
T5.120 Electro Command™ With 16x16 Semi-Powershift transmission [ZFLC00657 - ]	North America	F5GFL413A*B023

**<https://www.ebooklibonline.com>**

Hello dear friend!

Thank you very much for reading.

Enter the link into your browser.

The full manual is available for immediate download.

**<https://www.ebooklibonline.com>**

# Contents

---

## INTRODUCTION

<b>Engine</b> .....	<b>10</b>
[10.001] Engine and crankcase .....	10.1
[10.216] Fuel tanks .....	10.2
[10.206] Fuel filters .....	10.3
[10.202] Air cleaners and lines .....	10.4
[10.254] Intake and exhaust manifolds and muffler .....	10.5
[10.500] Selective Catalytic Reduction (SCR) exhaust treatment.....	10.6
[10.501] Exhaust Gas Recirculation (EGR) exhaust treatment.....	10.7
[10.400] Engine cooling system .....	10.8
[10.414] Fan and drive .....	10.9
[10.310] Aftercooler.....	10.10
[10.304] Engine lubrication system.....	10.11
[10.218] Fuel injection system.....	10.12
<b>Clutch</b> .....	<b>18</b>
[18.100] Clutch mechanical release control .....	18.1
[18.112] Slip clutch or flywheel damper .....	18.2
<b>Transmission</b> .....	<b>21</b>
[21.111] Semi-Powershift transmission .....	21.1
[21.133] Semi-Powershift transmission external controls .....	21.2
[21.103] Semi-Powershift transmission hydraulic components.....	21.3
[21.152] Semi-Powershift transmission internal components .....	21.4
[21.160] Creeper .....	21.5
[21.109] Transmission cooler and lines.....	21.6
<b>Four-Wheel Drive (4WD) system</b> .....	<b>23</b>
[23.202] Electro-hydraulic control .....	23.1

[23.314] Drive shaft.....	23.2
<b>Front axle system .....</b>	<b>25</b>
[25.100] Powered front axle .....	25.1
[25.102] Front bevel gear set and differential .....	25.2
[25.108] Final drive hub, steering knuckles, and shafts .....	25.3
[25.122] Axle suspension control.....	25.4
<b>Rear axle system.....</b>	<b>27</b>
[27.100] Powered rear axle.....	27.1
[27.106] Rear bevel gear set and differential.....	27.2
[27.120] Planetary and final drives .....	27.3
<b>Power Take-Off (PTO).....</b>	<b>31</b>
[31.104] Rear electro-hydraulic control.....	31.1
[31.114] Two-speed rear Power Take-Off (PTO) .....	31.2
[31.116] Three-speed rear Power Take-Off (PTO) .....	31.3
[31.142] Front Power Take-Off (PTO) control .....	31.4
[31.146] Front Power Take-Off (PTO) .....	31.5
<b>Brakes and controls .....</b>	<b>33</b>
[33.202] Hydraulic service brakes .....	33.1
[33.110] Parking brake or parking lock .....	33.2
<b>Hydraulic systems.....</b>	<b>35</b>
[35.000] Hydraulic systems.....	35.1
[35.204] Remote control valves .....	35.2
[35.100] Main lift system.....	35.3
[35.160] Front hitch controls and lines .....	35.4
[35.162] Front hitch cylinders and lines .....	35.5
[35.116] Three-point hitch cylinder .....	35.6
[35.304] Combination pump units .....	35.7
<b>Hitches, drawbars, and implement couplings.....</b>	<b>37</b>

[37.100] Drawbars and towing hitches .....	37.1
[37.110] Rear three-point hitch .....	37.2
[37.120] Rear three-point hitch linkage .....	37.3
[37.162] Front hitch .....	37.4
[37.166] Front hitch linkage .....	37.5
<b>Frames and ballasting .....</b>	<b>39</b>
[39.140] Ballasts and supports .....	39.1
<b>Steering .....</b>	<b>41</b>
[41.101] Steering control .....	41.1
[41.106] Tie rods .....	41.2
[41.200] Hydraulic control components .....	41.3
[41.216] Cylinders .....	41.4
<b>Wheels .....</b>	<b>44</b>
[44.511] Front wheels .....	44.1
[44.520] Rear wheels .....	44.2
<b>Cab climate control .....</b>	<b>50</b>
[50.100] Heating .....	50.1
[50.104] Ventilation .....	50.2
[50.200] Air conditioning .....	50.3
<b>Electrical systems .....</b>	<b>55</b>
[55.100] Harnesses and connectors .....	55.1
[55.525] Cab engine controls .....	55.2
[55.015] Engine control system .....	55.3
[55.201] Engine starting system .....	55.4
[55.301] Alternator .....	55.5
[55.302] Battery .....	55.6
[55.011] Fuel tank system .....	55.7
[55.010] Fuel injection system .....	55.8

[55.014] Engine intake and exhaust system.....	55.9
[55.988] Selective Catalytic Reduction (SCR) electrical system .....	55.10
[55.989] Exhaust Gas Recirculation (EGR) electrical system .....	55.11
[55.640] Electronic modules .....	55.12
[55.513] Cab transmission controls.....	55.13
[55.024] Transmission control system .....	55.14
[55.020] Transmission speed sensors.....	55.15
[55.022] Transmission temperature sensors .....	55.16
[55.045] Front axle control system .....	55.17
[55.031] Parking brake electrical system .....	55.18
[55.512] Cab controls.....	55.19
[55.035] Remote control valve electric control .....	55.20
[55.051] Cab Heating, Ventilation, and Air-Conditioning (HVAC) controls.....	55.21
[55.050] Heating, Ventilation, and Air-Conditioning (HVAC) control system.....	55.22
[55.523] Cab hitch controls .....	55.23
[55.130] Rear three-point hitch electronic control system .....	55.24
[55.202] Cold start aid .....	55.25
[55.785] Precision farming system .....	55.26
[55.905] ISOBUS components .....	55.27
[55.911] Satellite navigation systems.....	55.28
[55.680] Autopilot/Autoguidance .....	55.29
[55.518] Wiper and washer system.....	55.30
[55.404] External lighting .....	55.31
[55.405] External lighting switches and relays .....	55.32
[55.408] Warning indicators, alarms, and instruments .....	55.33
[55.988] Selective Catalytic Reduction (SCR) electrical system .....	55.34
[55.DTC] FAULT CODES.....	55.35
<b>Front loader and bucket.....</b>	<b>82</b>

[82.100] Arm.....	82.1
<b>Accessories .....</b>	<b>88</b>
[88.100] Accessories .....	88.1
<b>Platform, cab, bodywork, and decals.....</b>	<b>90</b>
[90.118] Protections and footboards.....	90.1
[90.150] Cab.....	90.2
[90.151] Cab interior.....	90.3
[90.160] Cab interior trim and panels.....	90.4
[90.154] Cab doors and hatches .....	90.5
[90.156] Cab windshield and windows .....	90.6
[90.120] Mechanically-adjusted operator seat.....	90.7
[90.124] Pneumatically-adjusted operator seat.....	90.8
[90.100] Engine hood and panels .....	90.9
[90.102] Engine shields, hood latches, and trims .....	90.10
[90.116] Fenders and guards.....	90.11



# INTRODUCTION

---

## **Foreword - Important notice regarding equipment servicing**

All repair and maintenance work listed in this manual must be carried out only by qualified dealership personnel, strictly complying with the instructions given, and using, whenever possible, the special tools.

Anyone who performs repair and maintenance operations without complying with the procedures provided herein shall be responsible for any subsequent damages.

The manufacturer and all the organizations of its distribution chain, including - without limitation - national, regional, or local dealers, reject any responsibility for damages caused by parts and/or components not approved by the manufacturer, including those used for the servicing or repair of the product manufactured or marketed by the manufacturer. In any case, no warranty is given or attributed on the product manufactured or marketed by the manufacturer in case of damages caused by parts and/or components not approved by the manufacturer.

The manufacturer reserves the right to make improvements in design and changes in specifications at any time without notice and without incurring any obligation to install them on units previously sold. Specifications, descriptions, and illustrative material herein are as accurate as known at time of publication but are subject to change without notice.

In case of questions, refer to your NEW HOLLAND Sales and Service Networks.

## Safety rules


### Personal safety





This is the safety alert symbol. It is used to alert you to potential personal injury hazards. Obey all safety messages that follow this symbol to avoid possible death or injury.

Throughout this manual you will find the signal words DANGER, WARNING, and CAUTION followed by special instructions. These precautions are intended for the personal safety of you and those working with you.

Read and understand all the safety messages in this manual before you operate or service the machine.

 DANGER indicates a hazardous situation that, if not avoided, will result in death or serious injury.

 WARNING indicates a hazardous situation that, if not avoided, could result in death or serious injury.

 CAUTION indicates a hazardous situation that, if not avoided, could result in minor or moderate injury.

**FAILURE TO FOLLOW DANGER, WARNING, AND CAUTION MESSAGES COULD RESULT IN DEATH OR SERIOUS INJURY.**

### Machine safety

**NOTICE:** Notice indicates a situation that, if not avoided, could result in machine or property damage.

Throughout this manual you will find the signal word Notice followed by special instructions to prevent machine or property damage. The word Notice is used to address practices not related to personal safety.

### Information

**NOTE:** Note indicates additional information that clarifies steps, procedures, or other information in this manual.

Throughout this manual you will find the word Note followed by additional information about a step, procedure, or other information in the manual. The word Note is not intended to address personal safety or property damage.



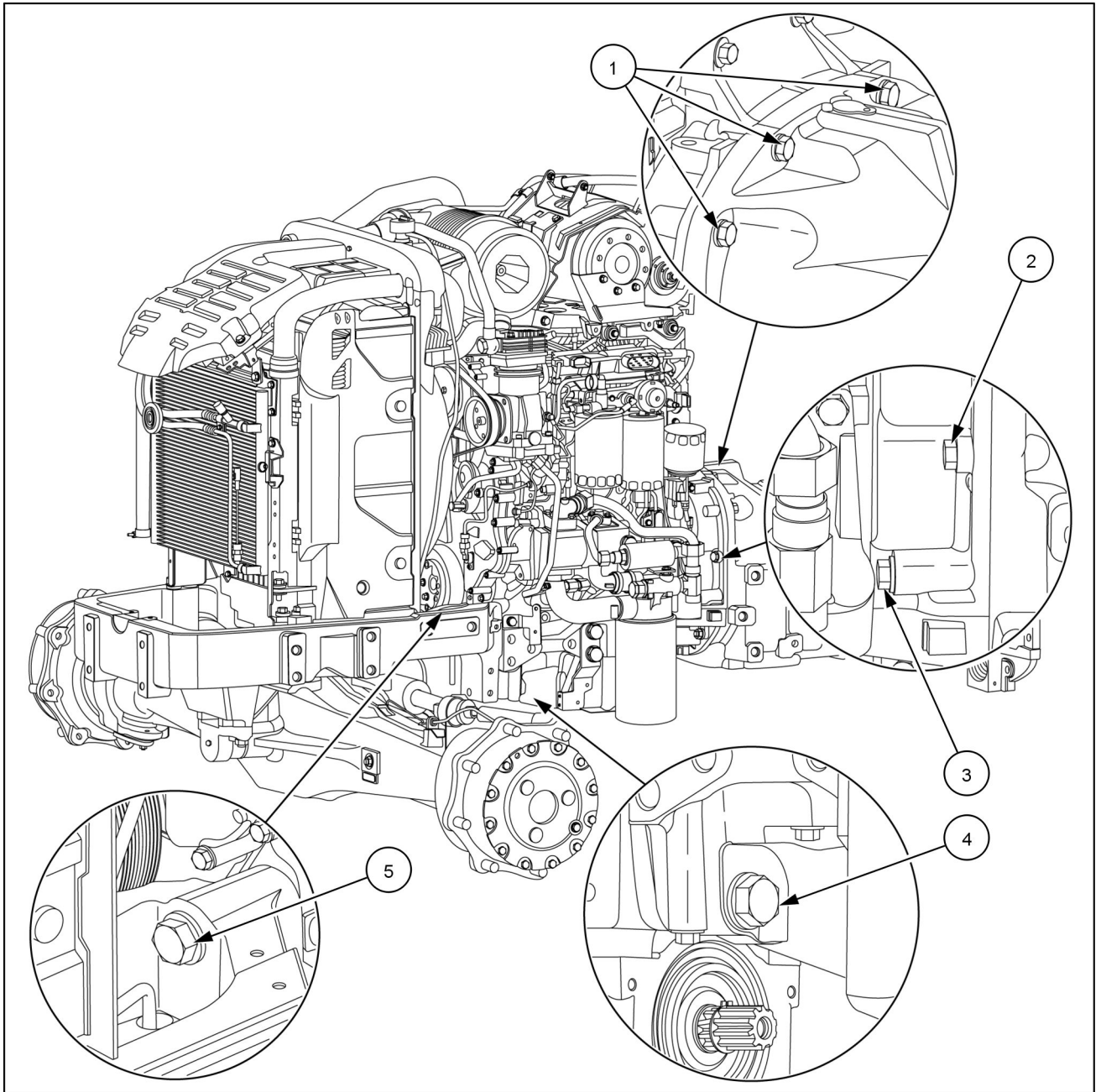
# **SERVICE MANUAL**

## **Engine**

**T5.110 Electro Command™ With 16x16 Semi-Powershift transmission  
[ZFLC00554 - ]**

**T5.120 Electro Command™ With 16x16 Semi-Powershift transmission  
[ZFLC00657 - ]**

## Engine - Torque



MOIL15TR01705GA 1

Part to tighten	Thread	Tightening torque
Bolt (5) retaining the front axle support to the engine block	M20 x 1.5 x 130	587 N·m (432.95 lb ft)
Bolt (4) retaining the engine block to the front axle	M20 x 1.5 x 110	587 N·m (432.95 lb ft)
Bolt (1) retaining the transmission housing to the engine block	M12 x 1.25 x 50	121 N·m (89.25 lb ft)
Bolt (2) retaining the engine block to the transmission housing	M12 x 1.25 x 50	121 N·m (89.25 lb ft)
Bolt (3) retaining the engine block to the transmission housing	M12 x 1.25 x 90	121 N·m (89.25 lb ft)

## Engine - Remove

### ⚠ WARNING

#### Heavy objects!

Lift and handle all heavy components using lifting equipment with adequate capacity. Always support units or parts with suitable slings or hooks. Make sure the work area is clear of all bystanders. Failure to comply could result in death or serious injury.

W0398A

### ⚠ WARNING

#### Avoid injury!

Handle all parts carefully. Do not place your hands or fingers between parts. Use Personal Protective Equipment (PPE) as indicated in this manual, including protective goggles, gloves, and safety footwear.

Failure to comply could result in death or serious injury.

W0208A

#### Prior operation:

Hood - Remove (90.100).

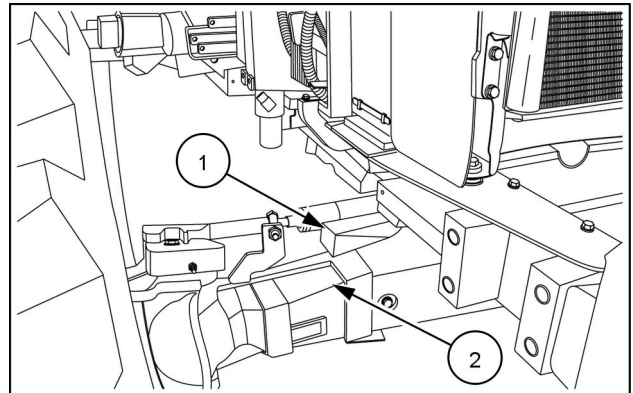
Side panels - Remove (90.100).

Fuel tank - Remove (10.216).

Fender - Remove (90.116).

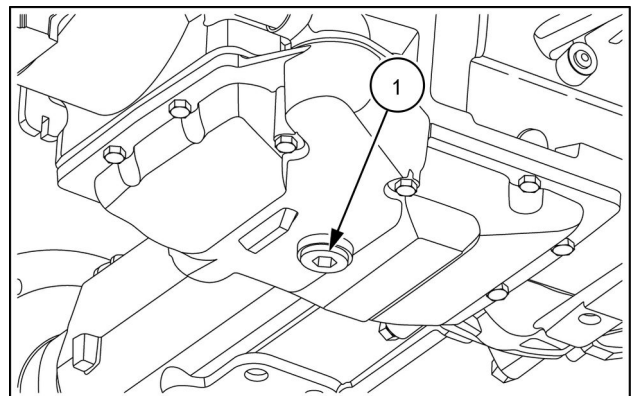
Cab and platform - Remove (90.150).

1. Position wooden wedges (1) between the front axle and the front axle support (2) to prevent articulation.



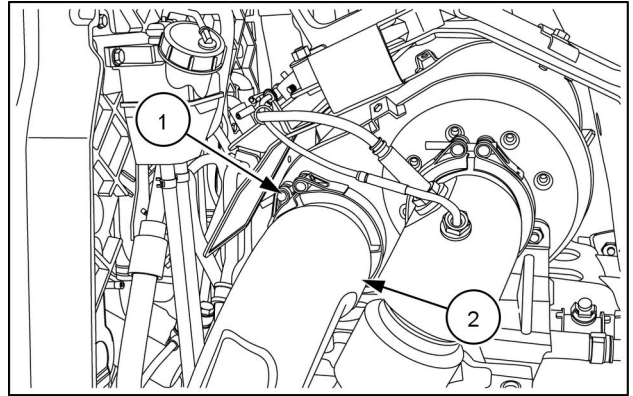
MOIL15TR01239AA 1

2. Drain the engine coolant as described in **Radiator - Drain fluid (10.400)**.
3. Position a container for transmission oil recovery under the transmission casing near the plug (1).
4. Remove the plug (1) and drain the transmission oil.



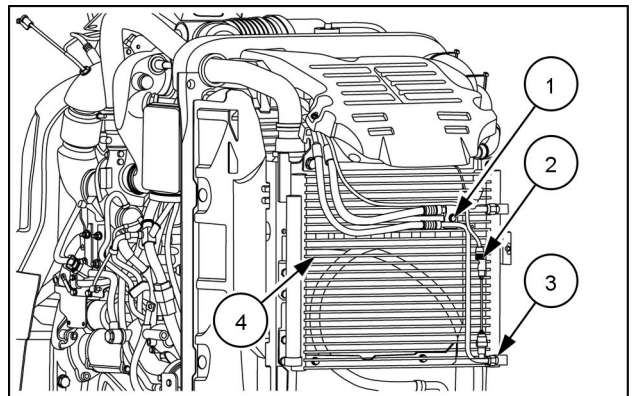
MOIL15TR01232AA 2

5. Loosen the retaining clamp (1) and disconnect the exhaust pipe (2) as described in **Selective Catalytic Reduction (SCR) muffler and catalyst - Remove (10.500)**.



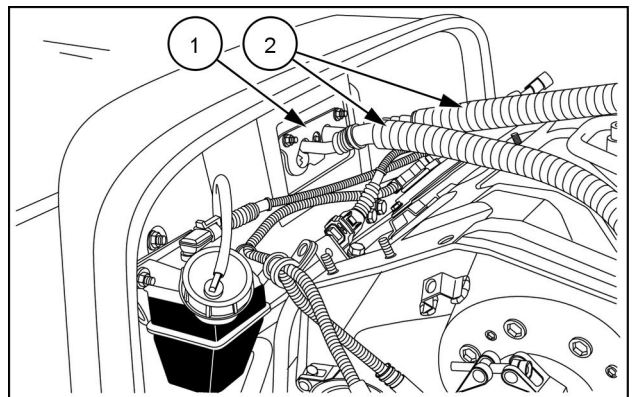
MOIL15TR00525AA 3

6. Disconnect the hydraulic fitting (3) on the capacitor (4) and loosen (1) the retaining clamp.
7. Disconnect the sensor wiring (2).



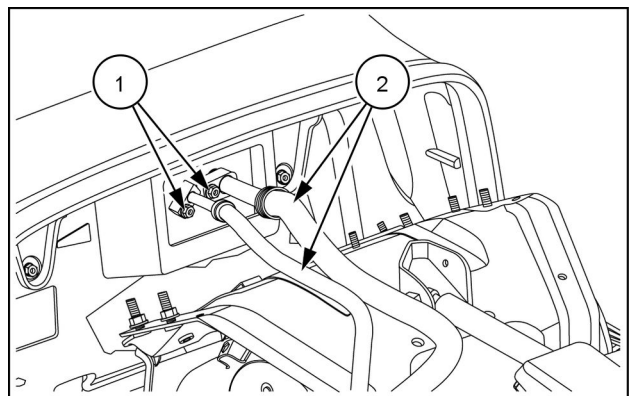
MOIL15TR01231AA 4

8. Loosen the retaining nuts and remove the plate (1) retaining the air-conditioning system lines (2).



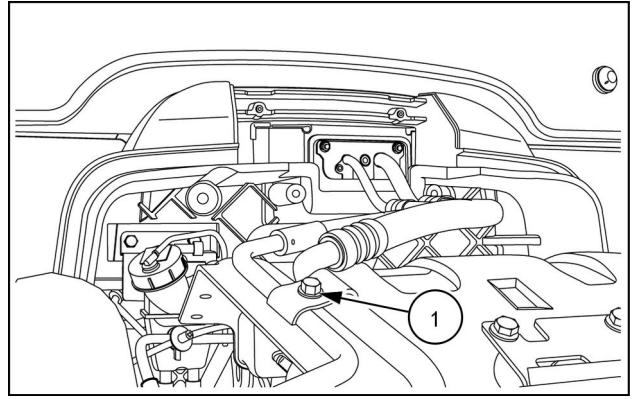
MOIL15TR00766AA 5

9. From the cab side, disconnect the air-conditioning pipes (2) from the supercharger, loosening the retaining nuts (1).



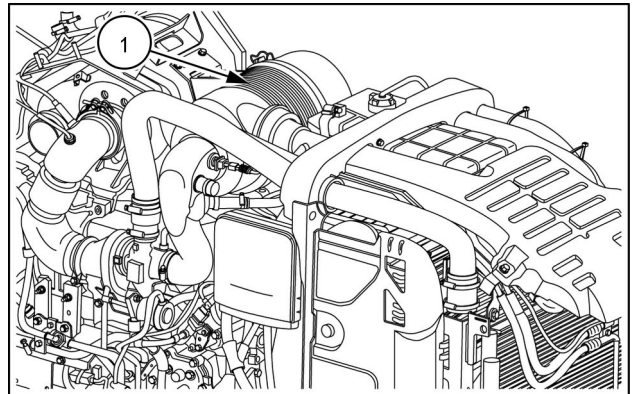
MOIL15TR00764AA 6

10. Release the lines loosening the retaining clamp (1) screw.



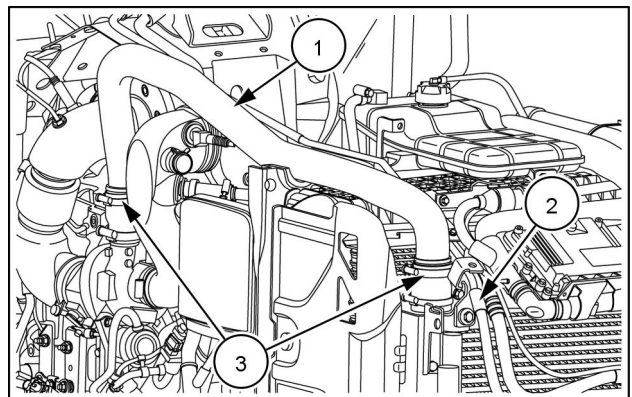
MOIL15TR00326AA 7

11. Remove the air filter (1), see **Air cleaner - Remove (10.202)**.



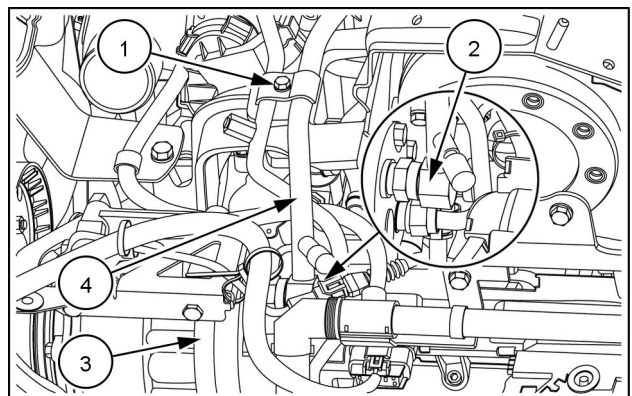
MOIL15TR01233AA 8

12. Loosen the fixing clamps (3) and disconnect the pipe (1) from the turbine to the radiator in the aftercooler.
13. Remove the air conditioning pipe (2) from the capacitor to the cab.



MOIL15TR01234AA 9

14. Disconnect the coupling (2) and loosen the retaining clamp (1).
15. Remove the air conditioning pipe (4) from the compressor (3).



MOIL15TR01226AA 10



**Suggest:**

**If the above button click is invalid.**

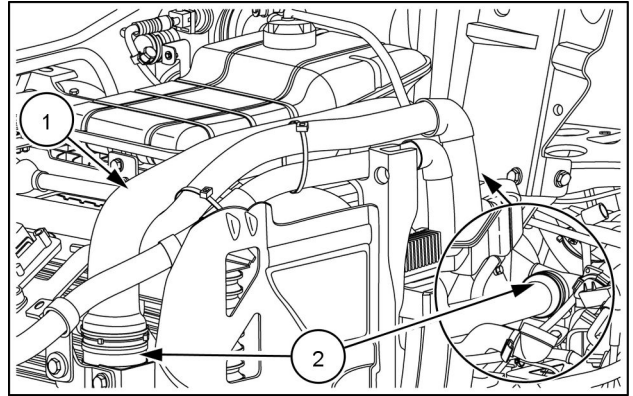
**Please download this document**

**first, and then click the above link**

**to download the complete manual.**

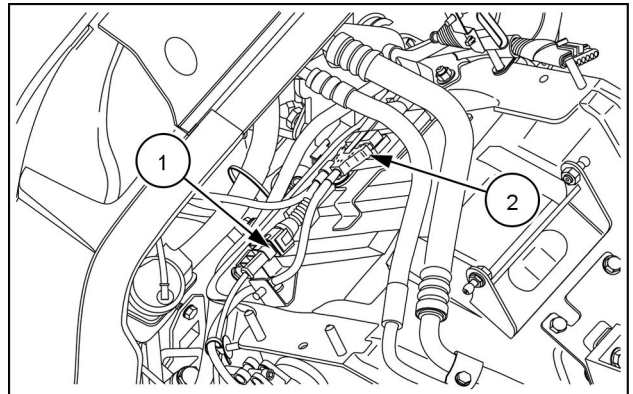
**Thank you so much for reading**

16. Loosen the retaining clamps **(2)** and remove the pipe **(1)** between the aftercooler radiator and the engine.



MOIL15TR01235AA 11

17. Disconnect the electrical connections **(1)** of the inlet temperature sensor of the Diesel Oxidation Catalyst DOC and the electrical connections of the NOx electronic control unit **(2)**.

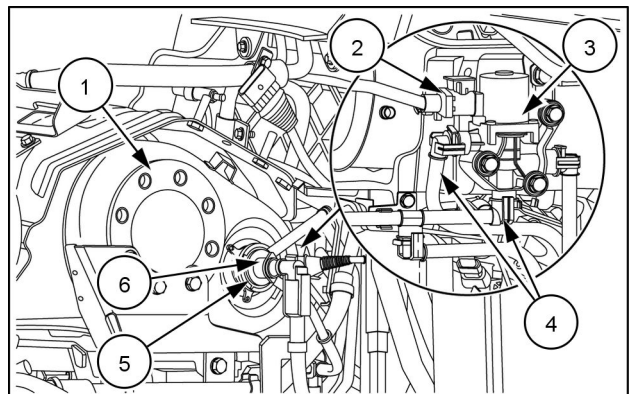


MOIL15TR00710AA 12

18. Loosen the clamp **(5)** retaining the diesel exhaust fluid dosing module **DEF/AdBLUE® (6)**.

19. Leaving the lines and electrical connection connected, remove the diesel exhaust fluid dosing module **DEF/AdBLUE® (6)** from the diesel oxidation catalyst (DOC) **(1)** and move it on one side.

20. Disconnect the electrical connection **(2)** of the coolant control valve **(3)** and the hydraulic lines **(4)**.



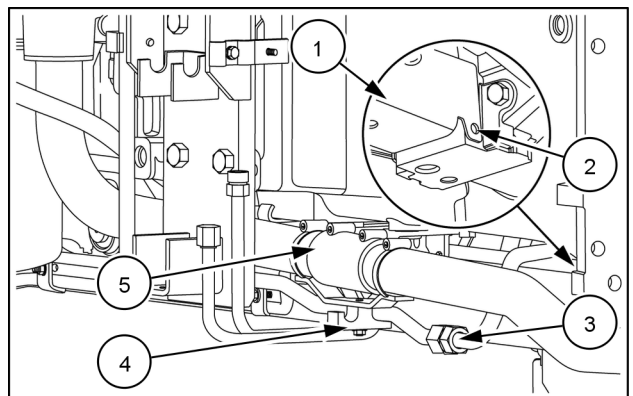
MOIL15TR01236AA 13

21. Disconnect the inlet pipe **(5)** of the filter loosening the retaining clamps.

22. Disconnect the hydraulic fitting **(3)** of the heat exchanger pipe.

23. Loosen and remove the retaining clamp **(4)**.

24. Loosen the rear retaining bolts **(2)** of the front transmission drive shaft guard **(1)**.



MOIL15TR01238AA 14

**<https://www.ebooklibonline.com>**

Hello dear friend!

Thank you very much for reading.

Enter the link into your browser.

The full manual is available for immediate download.

**<https://www.ebooklibonline.com>**