

SERVICE MANUAL

T4.90 / T4.100 / T4.110 / T4.120

Tier 4B (final)

Tractor

Part number 47878245

1st edition English
June 2015





SERVICE MANUAL

T4.100 with cab, with Dual Command™ transmission , T4.100 with cab, with mechanical or Power shuttle transmission , T4.100 without cab, with Dual Command™ transmission , T4.100 without cab, with mechanical or Power shuttle transmission , T4.110 with cab, with Dual Command™ transmission , T4.110 with cab, with mechanical or Power shuttle transmission , T4.110 without cab, with Dual Command™ transmission , T4.110 without cab, with mechanical or Power shuttle transmission , T4.120 with cab, with Dual Command™ transmission , T4.120 with cab, with mechanical or Power shuttle transmission , T4.120 without cab, with Dual Command™ transmission , T4.120 without cab, with mechanical or Power shuttle transmission , T4.90 with cab, with Dual Command™ transmission , T4.90 with cab, with mechanical or Power shuttle transmission , T4.90 without cab, with Dual Command™ transmission , T4.90 without cab, with mechanical or Power shuttle transmission

Link Product / Engine

Product	Market Product	Engine
T4.100 without cab, with mechanical or Power shuttle transmission	North America	F5GFL413A*B007
T4.100 with cab, with mechanical or Power shuttle transmission	North America	F5GFL413A*B007
T4.100 without cab, with Dual Command™ transmission	North America	F5GFL413A*B006
T4.100 with cab, with Dual Command™ transmission	North America	F5GFL413A*B006
T4.110 without cab, with mechanical or Power shuttle transmission	North America	F5GFL413A*B007
T4.110 with cab, with mechanical or Power shuttle transmission	North America	F5GFL413A*B007
T4.110 without cab, with Dual Command™ transmission	North America	F5GFL413A*B006
T4.110 with cab, with Dual Command™ transmission	North America	F5GFL413A*B006
T4.120 without cab, with mechanical or Power shuttle transmission	North America	F5GFL413A*B007
T4.120 with cab, with mechanical or Power shuttle transmission	North America	F5GFL413A*B007
T4.120 without cab, with Dual Command™ transmission	North America	F5GFL413A*B006
T4.120 with cab, with Dual Command™ transmission	North America	F5GFL413A*B006
T4.90 without cab, with mechanical or Power shuttle transmission	North America	F5GFL413A*B007
T4.90 with cab, with mechanical or Power shuttle transmission	North America	F5GFL413A*B007
T4.90 without cab, with Dual Command™ transmission	North America	F5GFL413A*B006
T4.90 with cab, with Dual Command™ transmission	North America	F5GFL413A*B006

<https://www.ebooklibonline.com>

Hello dear friend!

Thank you very much for reading.

Enter the link into your browser.

The full manual is available for immediate download.

<https://www.ebooklibonline.com>

Contents

INTRODUCTION

Engine	10
[10.001] Engine and crankcase	10.1
[10.216] Fuel tanks	10.2
[10.202] Air cleaners and lines	10.3
[10.254] Intake and exhaust manifolds and muffler	10.4
[10.500] Selective Catalytic Reduction (SCR) exhaust treatment.....	10.5
[10.400] Engine cooling system	10.6
[10.414] Fan and drive	10.7
[10.310] Aftercooler.....	10.8
Clutch	18
[18.100] Clutch mechanical release control	18.1
[18.104] Clutch hydraulic release control.....	18.2
[18.110] Clutch and components	18.3
Transmission	21
[21.130] Mechanical transmission external controls.....	21.1
[21.112] Power shuttle transmission.....	21.2
[21.110] Master clutch housing	21.3
[21.134] Power shuttle transmission external controls	21.4
[21.154] Power shuttle transmission internal components	21.5
[21.160] Creeper	21.6
[21.162] Reverser	21.7
[21.168] Hi-Lo unit.....	21.8
[21.109] Transmission cooler and lines.....	21.9
[21.118] Transmission/Rear drive	21.10
[21.148] Transmission/Rear drive internal components	21.11
[21.AAA] Transmission generic sub-group	21.12

Four-Wheel Drive (4WD) system	23
[23.101] Mechanical control	23.1
[23.202] Electro-hydraulic control	23.2
[23.314] Drive shaft	23.3
Front axle system	25
[25.100] Powered front axle	25.1
[25.102] Front bevel gear set and differential	25.2
[25.108] Final drive hub, steering knuckles, and shafts	25.3
[25.400] Non-powered front axle	25.4
Rear axle system	27
[27.106] Rear bevel gear set and differential	27.1
[27.120] Planetary and final drives	27.2
[27.100] Powered rear axle	27.3
Power Take-Off (PTO)	31
[31.101] Rear mechanical control	31.1
[31.104] Rear electro-hydraulic control	31.2
[31.110] One-speed rear Power Take-Off (PTO)	31.3
[31.114] Two-speed rear Power Take-Off (PTO)	31.4
Brakes and controls	33
[33.202] Hydraulic service brakes	33.1
[33.110] Parking brake or parking lock	33.2
[33.220] Trailer brake hydraulic control	33.3
Hydraulic systems	35
[35.104] Fixed displacement pump	35.1
[35.204] Remote control valves	35.2
[35.114] Three-point hitch control valve	35.3
[35.116] Three-point hitch cylinder	35.4

[35.160] Front hitch controls and lines	35.5
[35.701] Front loader arm hydraulic system	35.6
[35.723] Front loader bucket hydraulic system	35.7
Hitches, drawbars, and implement couplings.....	37
[37.100] Drawbars and towing hitches	37.1
[37.108] Rear three-point hitch external controls.....	37.2
[37.110] Rear three-point hitch	37.3
[37.120] Rear three-point hitch linkage.....	37.4
[37.162] Front hitch.....	37.5
[37.166] Front hitch linkage.....	37.6
Steering.....	41
[41.101] Steering control	41.1
[41.106] Tie rods.....	41.2
[41.200] Hydraulic control components.....	41.3
[41.206] Pump	41.4
[41.216] Cylinders	41.5
Wheels.....	44
[44.511] Front wheels.....	44.1
[44.520] Rear wheels	44.2
Cab climate control	50
[50.100] Heating	50.1
[50.104] Ventilation	50.2
[50.200] Air conditioning.....	50.3
Electrical systems	55
[55.100] Harnesses and connectors.....	55.1
[55.301] Alternator.....	55.2
[55.302] Battery.....	55.3
[55.014] Engine intake and exhaust system.....	55.4

[55.988] Selective Catalytic Reduction (SCR) electrical system	55.5
[55.640] Electronic modules	55.6
[55.518] Wiper and washer system.....	55.7
[55.404] External lighting	55.8
[55.408] Warning indicators, alarms, and instruments	55.9
[55.DTC] FAULT CODES.....	55.10
Front loader and bucket.....	82
[82.100] Arm.....	82.1
[82.300] Bucket.....	82.2
[82.AAA] Front loader and bucket generic sub-group	82.3
Platform, cab, bodywork, and decals	90
[90.150] Cab.....	90.1
[90.151] Cab interior.....	90.2
[90.160] Cab interior trim and panels.....	90.3
[90.154] Cab doors and hatches	90.4
[90.156] Cab glazing	90.5
[90.110] Operator platform less cab	90.6
[90.100] Engine hood and panels	90.7
[90.102] Engine shields, hood latches, and trims	90.8
[90.116] Fenders and guards	90.9



INTRODUCTION

Safety rules SAFETY REGULATIONS

TO PREVENT ACCIDENTS

Most accidents or injuries that occur in workshops are the result of non-observance of simple and fundamental safety regulations.

For this reason, IN MOST CASES THESE ACCIDENTS CAN BE AVOIDED: by foreseeing possible causes and consequently acting with the necessary caution and care.

Accidents may occur with all types of vehicle, regardless of how well it was designed and built.

A careful and judicious service technician is the best guarantee against accidents.

Precise observance of the most basic safety rule is normally sufficient to avoid many serious accidents.

DANGER: Never carry out any cleaning, lubrication or maintenance operations when the engine is running.

GENERAL

- Carefully follow specified repair and maintenance procedures.
- Do not wear rings, wristwatches, jewellery, unbuttoned or loose articles of clothing such as: ties, torn clothing, scarves, open jackets or shirts with open zips that may remain entangled in moving parts.
It is advised to wear approved safety clothing, e.g: non-slip footwear, gloves, safety goggles, helmets, etc.
- Do not carry out repair operations with someone sitting in the driver's seat, unless the person is a trained technician who is assisting with the operation in question.
- Operate the vehicle and use the implements exclusively from the driver's seat.
- Do not carry out operations on the vehicle with the engine running, unless specifically indicated.
- Stop the engine and ensure that all pressure is relieved from hydraulic circuits before removing caps, covers, valves, etc.
- All repair and maintenance operations must be carried out using extreme care and attention.
- Service steps and platforms used in a workshop or in the field should be built in compliance with the safety rules in force.
- Disconnect the batteries and label all controls to indicate that the vehicle is being serviced. Block the machine and all equipment which should be raised.
- Do not check or fill fuel tanks, accumulator batteries, nor use starting liquid when smoking or near naked flames, as these fluids are inflammable.
- Brakes are inoperative if manually released for repair or maintenance purposes.
In such cases, the machine should be kept constantly under control using blocks or similar devices.
- The fuel nozzle should always be in contact with the filling aperture. Maintain this position until filling operations are completed in order to avoid possible sparks caused by the accumulation of static electricity.
- Only use specified towing points for towing the tractor, connect parts carefully. Make sure that all pins and/or locks are secured in position before applying traction.
Never remain near the towing bars, cables or chains that are operating under load
- Transport vehicles that cannot be driven using a trailer or a low-loading platform trolley, if available.
- When loading or unloading the vehicle from the trailer (or other means of transport), select a flat area capable of sustaining the trailer or truck wheels, firmly secure the tractor to the truck or trailer and lock the wheels in the position.
- Electric heaters, battery-chargers and similar equipment must only be powered by auxiliary power supplies with efficient ground insulation to avoid electrical shock hazards.
- Always use suitable hoisting or lifting devices when raising or moving heavy parts.
- Take extra care if bystanders are present.
- Never pour gasoline or diesel oil into open, wide and low containers.
- Never use gasoline, diesel oil or other inflammable liquids as cleaning agents. Use non-flammable non-toxic proprietary solvents.
- Wear safety goggles with side guards when cleaning parts with compressed air.
- Limit the air pressure to a maximum of **2.1 bar (30.5 psi)**, according to local regulations.

- Do not run the engine in confined spaces without suitable ventilation.
- Do not smoke, use naked flames, or cause sparks in the area when fuel filling or handling highly inflammable liquids.
- Never use naked flames for lighting when working on the machine or checking for leaks.
- All movements must be carried out carefully when working under, on or near the vehicle and wear protective equipment: helmets, goggles and special footwear.
- When carrying out checks with the engine running, request the assistance of an operator in the driver's seat. The operator must maintain visual contact with the service technician at all times.
- If operating outside the workshop, position the vehicle on a flat surface and lock in position. If working on a slope, lock the vehicle in position and move to a flat area as soon as is safely possible.
- Damaged or bent chains or cables are unreliable. Do not use them for lifting or towing. Always use suitable protective gloves when handling chains or cables.
- Chains should always be safely secured. Ensure that fastening device is strong enough to hold the load foreseen. No persons should stop near the fastening point, trailing chains or cables.
- Maintenance and repair operations must be carried out in a CLEAN and DRY area, eliminate any water or oil spillage immediately.
- Do not create piles of oil or grease--soaked rags as they represent a serious fire hazard; store them in a closed metal container. Before starting the vehicle or implements, make sure that the driver's seat is locked in position and always check that the area is free of persons or obstacles.
- Empty pockets of all objects that may fall unobserved into the vehicle parts when disassembled.
- In the presence of protruding metal parts, use protective goggles or goggles with side guards, helmets, special footwear and gloves.
- Handle all parts carefully, do not put your hands or fingers between moving parts, wear suitable safety clothing -- safety goggles, gloves and shoes.

WELDING OPERATIONS

- When welding, use protective safety devices: tinted safety goggles, helmets, special overalls, gloves and footwear. All persons present in the area where welding is taking place must wear tinted goggles. NEVER LOOK AT THE WELDING ARC IF YOUR EYES ARE NOT SUITABLY PROTECTED.
- Where possible, remove the part or tool that requires arc welding from the tractor.
- Disconnect both battery leads. Isolate the cable ends to avoid contact with each other and the tractor.
- Position the welder ground clamp as near as possible to the area where welding is taking place.
- Remove the electronic control units located on the tractor if welding is to be carried out near these control units.
- Never allow welding cables to lay on, near or across any electrical wiring or electronic component while welding is in progress.
- Metal cables tend to fray with repeated use. Always use suitable protective devices (gloves, goggles, etc.) when handling cables.

START UP

- Never start the engine in confined spaces that are not equipped with adequate ventilation for exhaust gas extraction.
- Never place the head, body, limbs, feet, hands or fingers near fans or rotating belts.

ENGINE

- Always loosen the radiator cap slowly before removing it to allow any remaining pressure in the system to be discharged. Coolant should be topped up only when the engine is stopped or idle if hot.
- Never fill up with fuel when the engine is running, especially if hot, in order to prevent the outbreak of fire as a result of fuel spillage
- Never check or adjust fan belt tension when the engine is running. Never adjust the fuel injection pump when the vehicle is moving.

- Never lubricate the vehicle when the engine is running.

ELECTRICAL SYSTEMS

- If it is necessary to use auxiliary batteries, remember that both ends of the cables must be connected as follows: (+) with (+) and (-) with (-).
- Avoid short-circuiting the terminals. GAS RELEASED FROM BATTERIES IS HIGHLY INFLAMMABLE.
- During charging, leave the battery compartment uncovered to improve ventilation.
- Never check the battery charge using "jumpers" (metal objects placed on the terminals).
- Avoid sparks or flames near the battery zone to prevent explosion hazards.
- Before servicing operations, check for fuel or current leaks. Eliminate any eventual leaks before starting work.
- Never charge batteries in confined spaces. Make sure that there is adequate ventilation in order to prevent accidental explosion hazards as a result of the accumulation of gases released during charging operations.
- Always disconnect the battery before performing any kind of servicing on the electrical system.

HYDRAULIC SYSTEMS

- Some fluid slowly coming out from a very small port can be almost invisible and be strong enough to penetrate the skin. Check for leaks using a piece of cardboard, NEVER USE HANDS.
- If any liquid penetrates skin tissue, call for medical aid immediately
- Serious skin infections may result if medical attention is not given.
- Use the specific tools when checking pressure values on the hydraulic system.

WHEELS AND TYRES

- Check that the tyres are correctly inflated at the pressure specified by the manufacturer. Periodically check possible damages to the rims and tyres.
- Stand away from (at the side of) the tire when checking inflation pressure.
- Only check pressure when the vehicle is unloaded and the tires are cold, to avoid incorrect readings as a result of over-pressure.
- Do not re-use parts of recovered wheels as incorrect welding or brazing may heat the material, causing it to weaken and eventually damage or break the wheel.
- Never cut, nor weld a rim with the inflated tyre assembled.
- When removing the wheels, lock both the front and rear vehicle wheels.
- Always position support stands when raising the vehicle, in order to conform to current safety regulations.
- Deflate the tyre before removing any object caught into the tyre tread.
- Never inflate tires using inflammable gases; this could cause an explosion and put operator safety at risk.

REMOVAL AND RE-FITTING

- Lift and handle all heavy parts using suitable lifting equipment and make sure that all slings and hooks are correctly secured.
- Handle all parts carefully during lifting operations, keep an eye on the personnel working near the load to be lifted. Never insert hands or fingers between parts, always wear approved accident prevention clothing (goggles, gloves and work boots).
- Avoid twisting chains or metal cables and always wear safety gloves when handling cables or chains.



SERVICE MANUAL

Engine

T4.100 with cab, with Dual Command™ transmission , T4.100 with cab, with mechanical or Power shuttle transmission , T4.100 without cab, with Dual Command™ transmission , T4.100 without cab, with mechanical or Power shuttle transmission , T4.110 with cab, with Dual Command™ transmission , T4.110 with cab, with mechanical or Power shuttle transmission , T4.110 without cab, with Dual Command™ transmission , T4.110 without cab, with mechanical or Power shuttle transmission , T4.120 with cab, with Dual Command™ transmission , T4.120 with cab, with mechanical or Power shuttle transmission , T4.120 without cab, with Dual Command™ transmission , T4.120 without cab, with mechanical or Power shuttle transmission , T4.90 with cab, with Dual Command™ transmission , T4.90 with cab, with mechanical or Power shuttle transmission , T4.90 without cab, with Dual Command™ transmission , T4.90 without cab, with mechanical or Power shuttle transmission

Engine - Remove

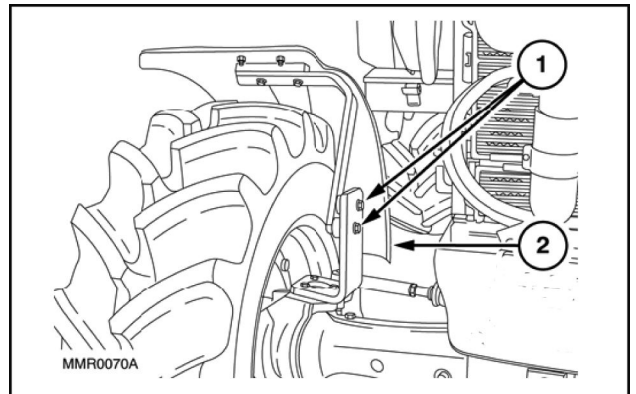
⚠ DANGER

Heavy objects!

Lift and handle all heavy components using lifting equipment with adequate capacity. Always support units or parts with suitable slings or hooks. Make sure the work area is clear of all bystanders. Failure to comply will result in death or serious injury.

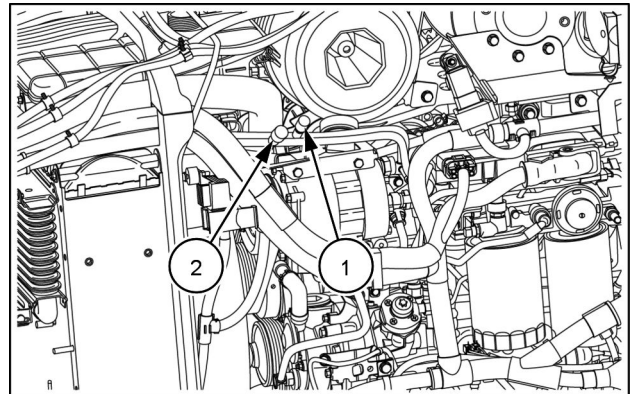
D0076A

1. Remove the engine hood (1), as shown in **Hood - Remove (90.100)**.
2. Remove the tank, as described in **Fuel tank - Remove (10.216)**.
3. Loosen the retaining bolts (1). Remove the front wheel fenders (2) (if any). Do this on both sides.



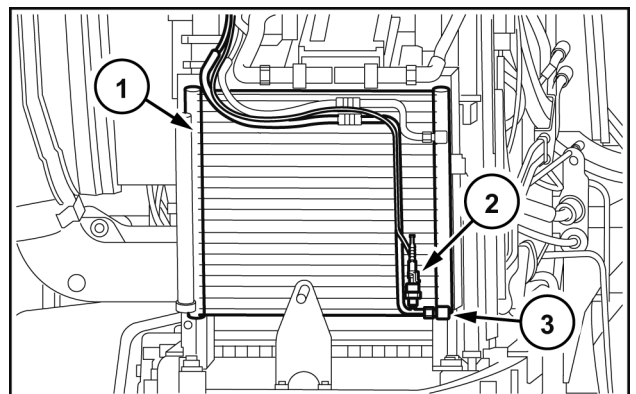
WLAPL4S10C104A 1

4. Refill the refrigerant of the climate control system through the fittings (1) and (2) using the dedicated recovery, emptying and refilling station. Detach the two lines by disconnecting any support straps.



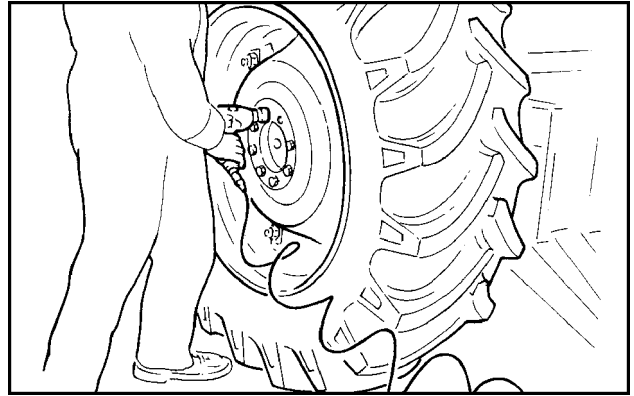
MOIL14TR00606AA 2

5. Then detach the lower pipe (3) on the condenser (1). Free the pipe from any straps or clamps. Disconnect the sensor (2). Place the pipe on the cab.



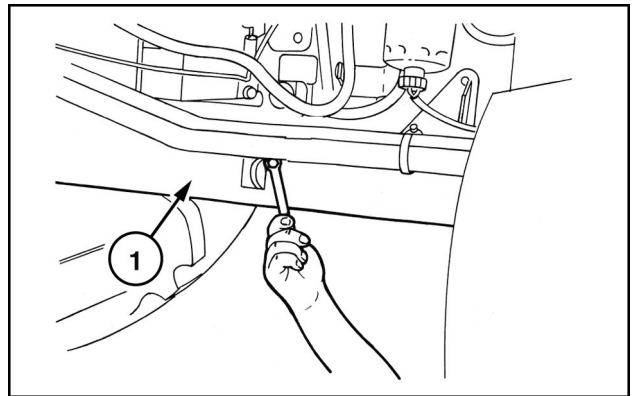
WLAPL4S10C107A 3

6. Raise the rear of the tractor with a hydraulic jack. Place a mechanical jack stand under the reduction gear case. Use a pneumatic gun to remove the retaining nuts of the left-hand rear wheel. Then remove the wheel.



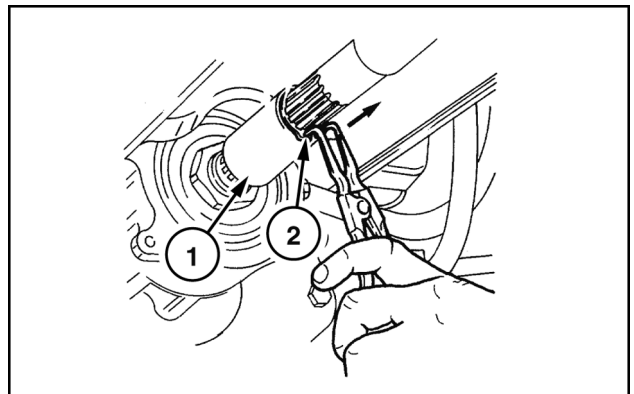
WLAPL4S10C110A 4

7. Unscrew the front, central, and rear retaining bolts on the guard of the front axle control shaft. Then remove the guard (1).



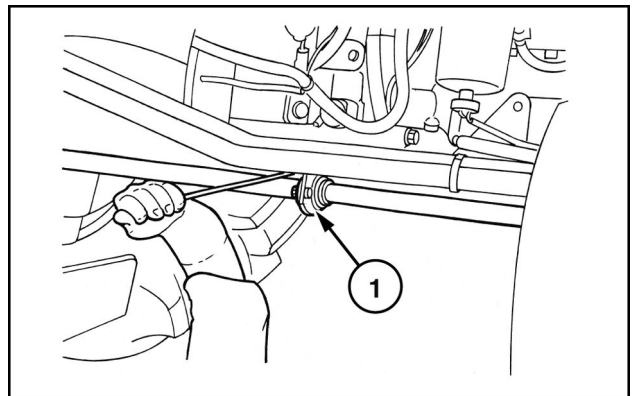
WLAPL4S10C112AA 5

8. Remove the circlip (2) and move the front sleeve (1) in the direction indicated by the arrow until it is released from the groove on the front axle.



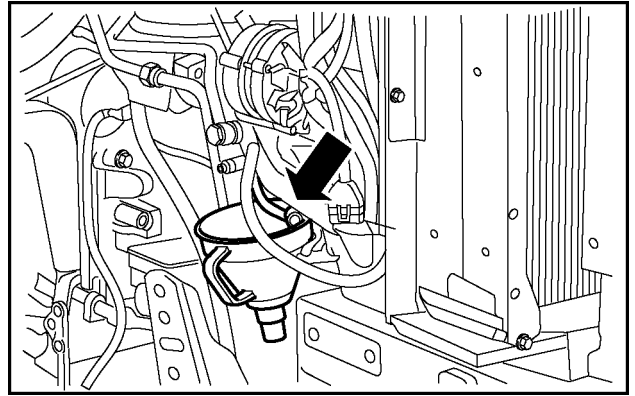
WLAPL4S10C113AA 6

9. Remove the bolts that secure the central support (1) of the drive shaft. Remove the shaft complete with the support. Also remove the shim that adjusts the clearance of the shaft on the back.



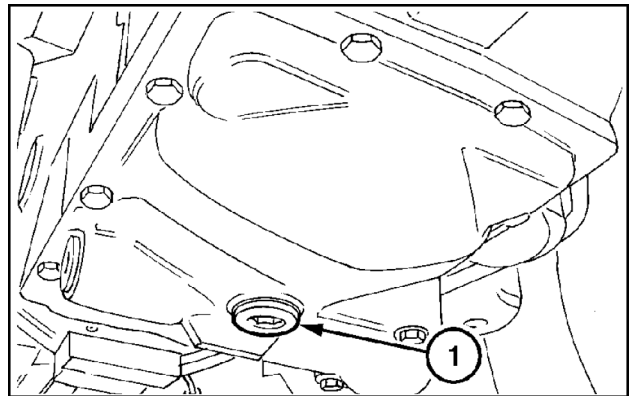
WLAPL4S10C115AA 7

10. Loosen the union of the radiator coolant return line of the cab heater. Drain and collect the engine coolant.



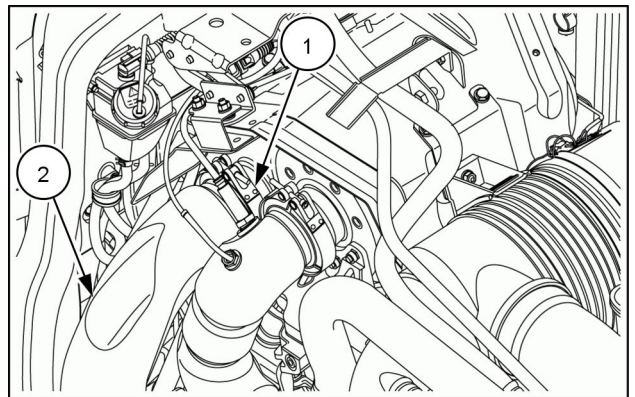
WLAPL4S10C116A 8

11. Place a suitable container under the drain plug (1) for the gearbox-transmission oil. Loosen the plug. Drain the oil.



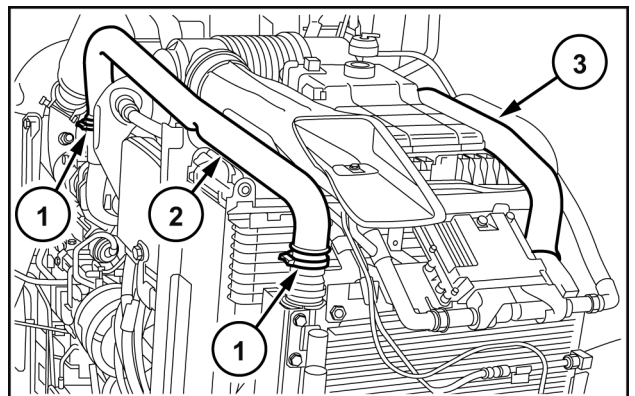
MOIL13TR00197AA 9

12. Loosen the fixing clamp (1) on the Diesel Oxidation Catalyst (DOC). Disconnect the drain tube (2). Remove the drain and remove the catalyst from the Selective Catalytic Reduction (SCR) system, as described in **Selective Catalytic Reduction (SCR) muffler and catalyst - Remove (10.500)**.



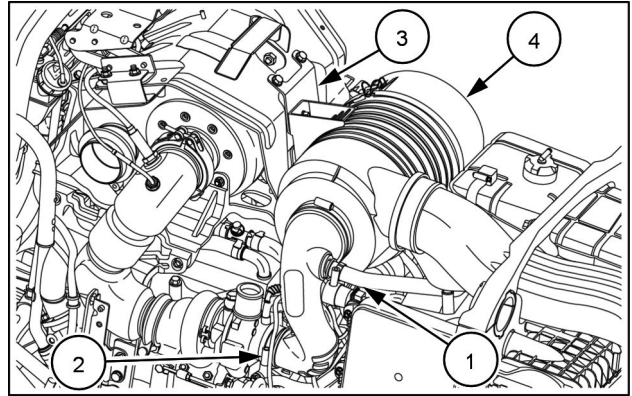
MOIL14TR00607AA 10

13. Loosen the fixing clamps (1). Extract the tubing from the turbine to the radiator intercooler (2). Perform the same operation for the tubing from the radiator intercooler to the engine (3).



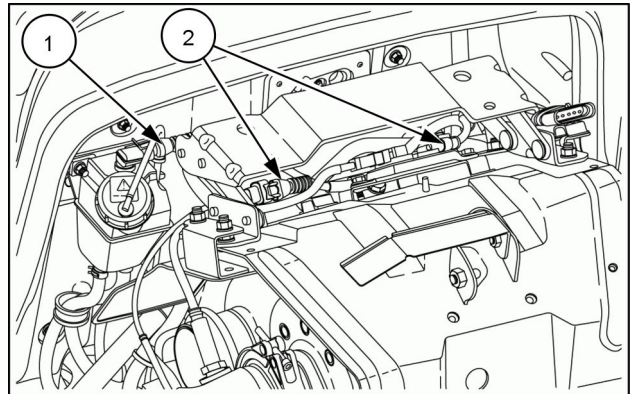
WLAPL4S10C119A 11

14. Loosen the clamp (2) that fastens the air intake duct to the turbine. Then free the air cleaner (4) together with the support bracket (3) from the screws that secure the air cleaner. Disconnect the oil vapor duct (1) on the right-hand side of the engine.



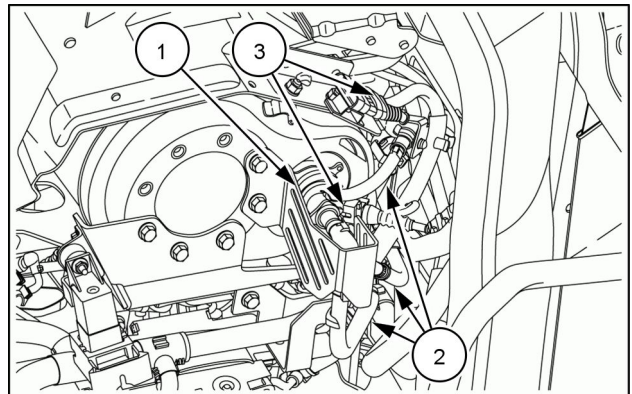
MOIL14TR00608AA 12

15. Disconnect the electrical connection (1) of the brake fluid tank. Disconnect the DOC sensor connections (2).



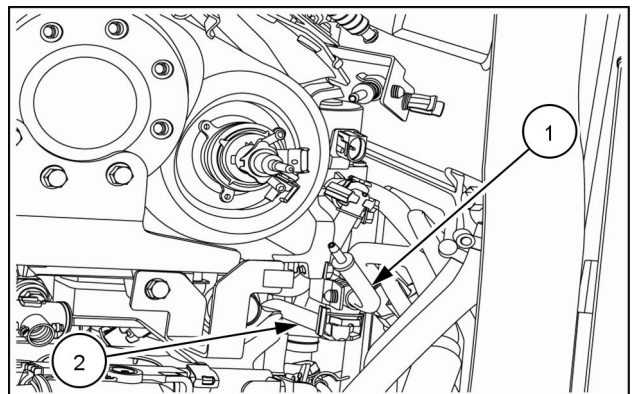
MOIL14TR00609AA 13

16. Remove the DEF/AdBlue® injector guard (1). Disconnect the electrical connections (3) and disconnect the lines (2) from the injector itself.



MOIL14TR00610AA 14

17. On the left-hand side of the vehicle, disconnect the lines (1) and (2) from the control valve for the coolant.



MOIL14TR00611AA 15



Suggest:

If the above button click is invalid.

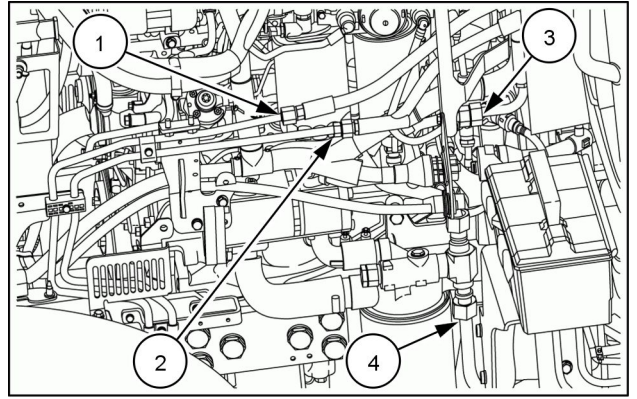
Please download this document

first, and then click the above link

to download the complete manual.

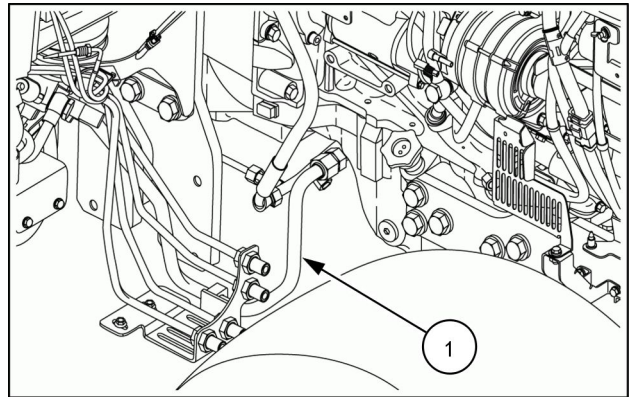
Thank you so much for reading

18. Disconnect the following lines: the steering lines **(1)** and **(2)**, the oil supply line **(4)** to the control valves, and the oil supply line **(3)** to the control valve for the power steering.



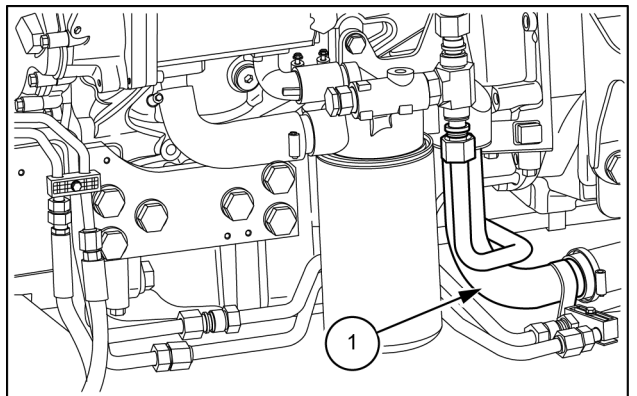
MOIL14TR00612AA 16

19. Disconnect the drain tube **(1)** of the control valve for the power steering.



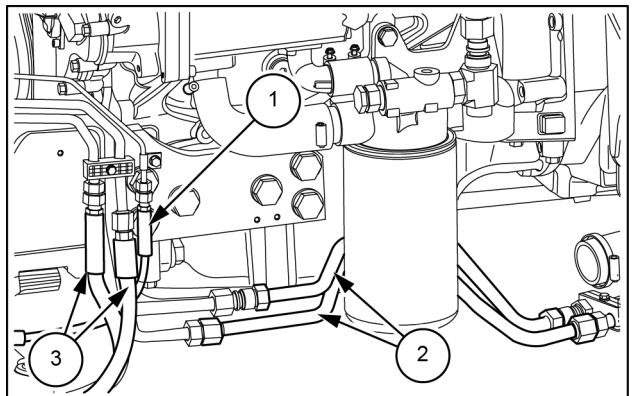
MOIL14TR00613AA 17

20. Detach the oil filter inlet pipe from the transmission **(1)**.



MOIL14TR00846AA 18

21. Detach the pipes **(2)** of the heat exchanger and, if applicable, of the front braking assembly **(1)**.
22. Free the lines that were previously detached from the supports, brackets, and clamps on the engine. Perform the same operation for the lines directed to the cylinder **(3)**.



MOIL13TR01800AA 19

<https://www.ebooklibonline.com>

Hello dear friend!

Thank you very much for reading.

Enter the link into your browser.

The full manual is available for immediate download.

<https://www.ebooklibonline.com>