

# **SERVICE PARTS CATALOGUE**

**CATALOGO PARTI DI RICAMBIO**

**CATALOGUE DES PIECES DE TACHEES**

**ERSATZTEILK ATALOG**

**CATALOGO DE PIEZAS DE REPUES TO**

**CATALOGO DE PECAS SOBRESSALENTES**

**RESERVEDELSKATALOG**

**ONDERDELENLIJST**

**Mini Crawler Excavators E16B**

Print No. 87743895



---

# SECTION INDEX

## General

---

0 - VERSION	00	IDENTIFICATION AND VERSION LIST
0.000	00	MAINTENANCE PARTS
0.000	01	ENGINE INSTALLATIONS
0.001	01	AIR CLEANER
0.001	02	AIR CLEANER
0.002	01	MUFFLER
0.003	01	RADIATOR
0.003	02	RADIATOR
0.003	03	RADIATOR - COMPONENTS
0.003	04	RADIATOR - COMPONENTS
0.004	01	ENGINE ACCELERATOR CONTROLS
0.004	02	ENGINE ACCELERATOR CONTROLS
0.021	01	ENGINE - DIESEL
0.021	02	GASKET SET
0.040	01	CRANKCASE
0.040	02	CRANKCASE
0.042	01	OIL SUMP
0.042	02	OIL SUMP
0.043	01	CRANKCASE COVERS
0.060	01	CYLINDER HEAD
0.060	02	ROCKER COVER
0.060	03	ROCKER COVER
0.071	01	MANIFOLDS
0.080	01	CRANKSHAFT
0.081	01	CONNECTING ROD
0.082	01	PISTONS
0.083	01	FLYWHEEL PLATE
0.083	02	FLYWHEEL
0.100	01	FUEL INJECTION PUMP DRIVE
0.120	01	VALVE MECHANISM
0.120	02	CAMSHAFT
0.140	01	FUEL INJECTION PUMP
0.140	02	INJECTION PUMP - CONTROL
0.140	03	GOVERNOR PARTS
0.149	01	INJECTION EQUIPMENT - PIPING
0.149	02	INJECTION EQUIPMENT - PIPING
0.149	03	INJECTION EQUIPMENT - PIPING
0.200	01	WATER SEPARATOR
0.200	02	FUEL FILTER
0.201	01	FUEL PUMP
0.270	01	OIL FILTERS - ENGINE
0.302	01	OIL FILTERS - ENGINE
0.302	02	OIL FILTERS - ENGINE
0.320	01	WATER PUMP
0.323	01	WATER PUMP
0.323	02	WATER PUMP
0.326	01	THERMOSTAT
0.326	02	PREHEATING
0.347	01	FAN & BELT
0.347	02	FAN & BELT
0.360	01	STARTER MOTOR
0.360	02	STARTER MOTOR
0.380	01	PREHEATING LAMP
0.380	02	RELAY
0.380	03	SPEED CONTROL

---

# SECTION INDEX

## General

---

0.400	01	ALTERNATOR
0.400	02	ALTERNATOR
0.450	01	HOOKS - ENGINE

**<https://www.ebooklibonline.com>**

Hello dear friend!

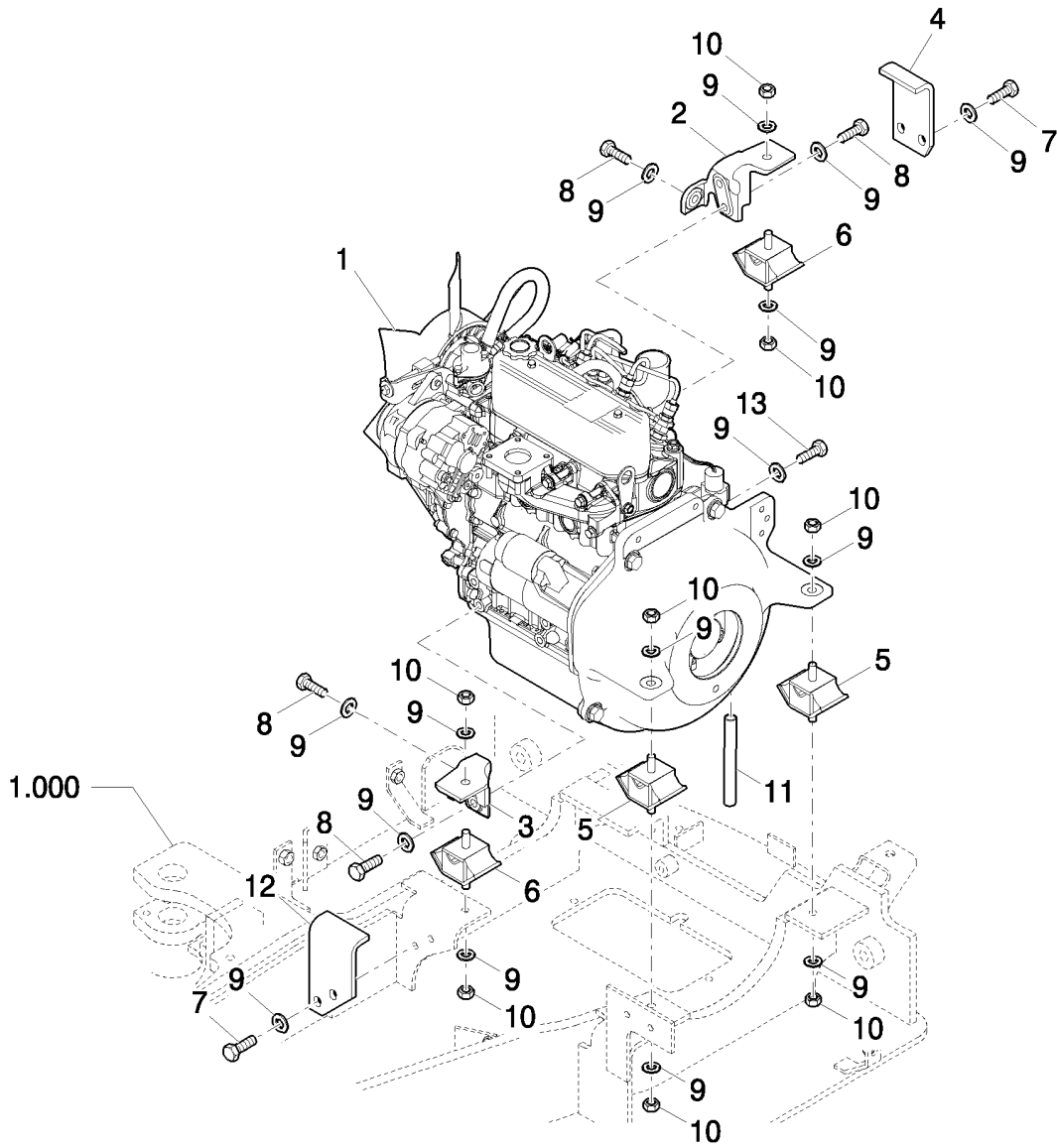
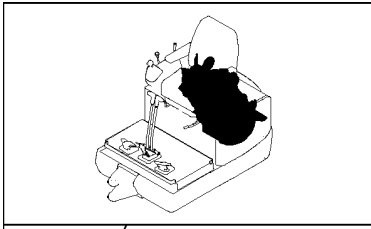
Thank you very much for reading.

Enter the link into your browser.

The full manual is available for immediate download.

**<https://www.ebooklibonline.com>**

ENGINE INSTALLATIONS  
INSTALLAZIONE MOTORE  
MOTORANLAGE  
INSTALLATIONS DU MOTEUR



0.000

01

p1

02/08

INSTALACIÓN MOTOR  
ENGINE INSTALLATIONS  
ENGINE INSTALLATIONS  
ENGINE INSTALLATIONS

R	N	P.N.	MOD	Q	Description Denominacion	Descrizione Beskrivelse	Bezeichnung Denominação	Description Beschrijving	L.C.
1	1	87555573		1	ENGINE MOTOR	MOTORE MOTOR	MOTOR MOTOR	MOTEUR MOTOR	130M
2		87555533		1	BRACKET PIEZA DE SOPORTE	STAFFA BESLAG	KONSOLE BRACADEIRA	PATTE FIXATION STEUNBEUGEL	225S
3		87555534		1	BRACKET PIEZA DE SOPORTE	STAFFA BESLAG	KONSOLE BRACADEIRA	PATTE FIXATION STEUNBEUGEL	225S
4		87555532		1	BRACKET PIEZA DE SOPORTE	STAFFA BESLAG	KONSOLE BRACADEIRA	PATTE FIXATION STEUNBEUGEL	225S
5		87555531		2	MOUNT, RUBBER TEJUELO, GOMA	SUPPORTO, DI GOMMA MONTERINGSGUMMIBØ	GUMMIHALTERUNG MONTAGEM DE BORRA	PALIER CAOUTCHOUC BEVESTIGING, RUBBER	P777
6		72271561		2	DAMPER ANTIVIBRADOR	SMORZATORE SVINGNINGSDAEMPER	DÄMPFER ANTIVIBRADOR	AMORTISSEUR VIBRATI TRILLINGSDEMPPER	164S
7		11106234		4	BOLT, Hex, M10 x 25, 10.9, Full Thd TORNILLO	BULLONE SKRUE	SCHRAUBE PARAFUSO	BOULON BOUT	140B
8		15970734		6	BOLT, Hex, M10 x 1.25 x 25, 10.9, Full Thd TORNILLO	BULLONE SKRUE	SCHRAUBE PARAFUSO	BOULON BOUT	140B
9		14496631		20	WASHER, M10 x 21 x 2 ARANDELA	ROSETTA PIANA FLADSKIVE	UNTERLEGSCHIEBE ANILHA	RONDELLE SLUITRING	131R
10		11701721		8	NUT, M10, CI 10 TUERCA	DADO MOETRIK	MUTTER PORCA	ECROU MOER	010D
11		87555529		1	HOSE MANGA	MANICOTTO FLESSIBILE SLANGE	SCHLAUCH TUBO FLEXIVEL	FLEXIBLE FLEXIBELE BUIS	030M
12		87595361		1	BRACKET PIEZA DE SOPORTE	STAFFA BESLAG	KONSOLE BRACADEIRA	PATTE FIXATION STEUNBEUGEL	225S
13		15970534		2	BOLT, Hex, M10 x 1.25 x 20, 10.9, Full Thd TORNILLO	BULLONE SKRUE	SCHRAUBE PARAFUSO	BOULON BOUT	140B

(1) See Sgr. 0.021

E16B

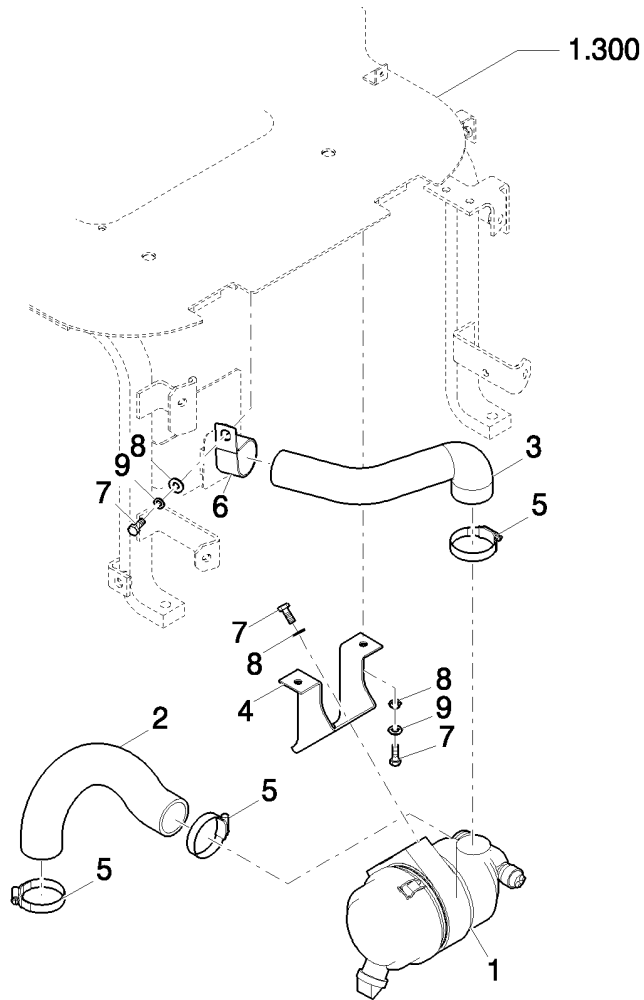
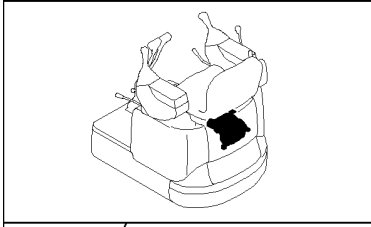
0.001

01

p1

12/07

AIR CLEANER  
FILTRO ARIA  
LUFTFILTER  
FILTRE A AIR



FILTRO DE AIRE  
AIR CLEANER  
AIR CLEANER  
AIR CLEANER

R	N	P.N.	MOD	Q	Description Denominacion	Descrizione Beskrivelse	Bezeichnung Denominação	Description Beschrijving	L.C.
1	1	87595309		1	AIR CLEANER DEPURADOR	DEPURATORE LUFTFILTER	LUFTFILTER DEPURADOR	FILTER A AIR LUCHTREINIGER	021D
2		87550358		1	HOSE, LARGE Manguito	TUBO FLESSIBILE,GRDE SLANGE, STOR	SCHLAUCH, GROSS MANGOTE	Durite SLANG, GROOT	Z336
3		87550359		1	HOSE, LARGE Manguito	TUBO FLESSIBILE,GRDE SLANGE, STOR	SCHLAUCH, GROSS MANGOTE	Durite SLANG, GROOT	Z336
4		87550360		1	BRACKET PIEZA DE SOPORTE	STAFFA BESLAG	KONSOLE BRACADEIRA	PATTE FIXATION STEUNBEUGEL	225S
5		87526523		3	CLAMP COLLAR	MORSETTO CLAMP	SHELLE BRACADEIRA	COLLIER CLAMP	1640
6		71438664		1	CLIP SUJETADOR	FERMAGLIO KLIPS	KLEMME FIXADOR	CLIP KLEM	045F
7		16043434		5	BOLT, Hex, M8 x 20, 10.9, TORNILLO	Full Thd BULLONE SKRUE	SCHRAUBE PARAFUSO	BOULON BOUT	140B
8		14496531		5	WASHER, M8 x 17 x 1.6 ARANDELA	ROSETTA PIANA FLADSKIVE	UNTERLEGSCHIEBE ANILHA	RONDELLE SLUITRING	131R
9		10516674		3	WASHER, LOCK, 5/16" ARANDELA DE FRENO	ROSETTA DI SICUREZZA/ LAASESKIVE	SICHERUNGSSCHIEBE ANILHA DE FIXACAO	RONDELLE FREIN VEERRING	132R

(1) See Page 0.001 02

E16B

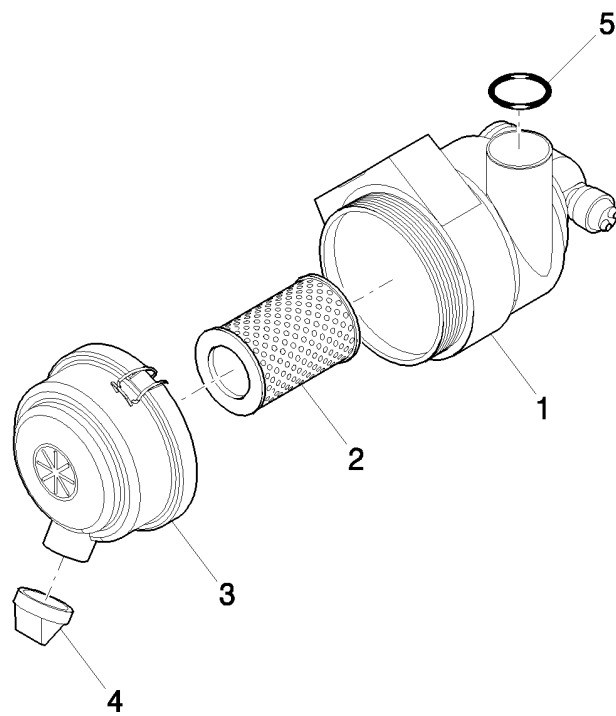
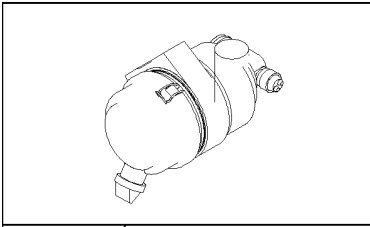
0.001

02

p1

12/07

AIR CLEANER  
FILTRO ARIA  
LUFTFILTER  
FILTRE A AIR



0.001

02

p1

12/07

FILTRO DE AIRE  
 AIR CLEANER  
 AIR CLEANER  
 AIR CLEANER

R	N	P.N.	MOD	Q	Description Denominacion	Descrizione Beskrivelse	Bezeichnung Denominação	Description Beschrijving	L.C.
1		PU11P00004S001		1	BODY CUERPO	CORPO HUS	KOERPER CORPO	CORPS LICHAAM	300C
2		PM11P00006S002		1	FILTER, ELEMENT ELEMENTO DE FILTRAD	ELEMENTO DEL FILTRO FILTERELEMENT	FILTERELEMENT ELEMENTO DE FILTRO	ELÉMENT FILTRANT FILTERELEMENT	020E
3		PM11P00006S003		1	COVER ASSY TABA (CONJUNTO)	COPERCHIO, COMPL COVER ASSY	DECKEL (KPLT.) TAMPA CONJUNTO	COUVERCLE (ASSEMBL) COVER ASSY	P426
4		2446U242S4		1	VALVE VALVULA	VALVOLA VENTIL	VENTIL VALVULA	SOUPAPE KLEP	9620
5		PM11P00006S005		1	O-RING JUNTA HERMETICA	ANELLO TOROIDALE O-RING	O-RING O-RING	JOINT THORIQUE O-RING	055A

AIR CLEANER ASSY P/N 87595309

E16B

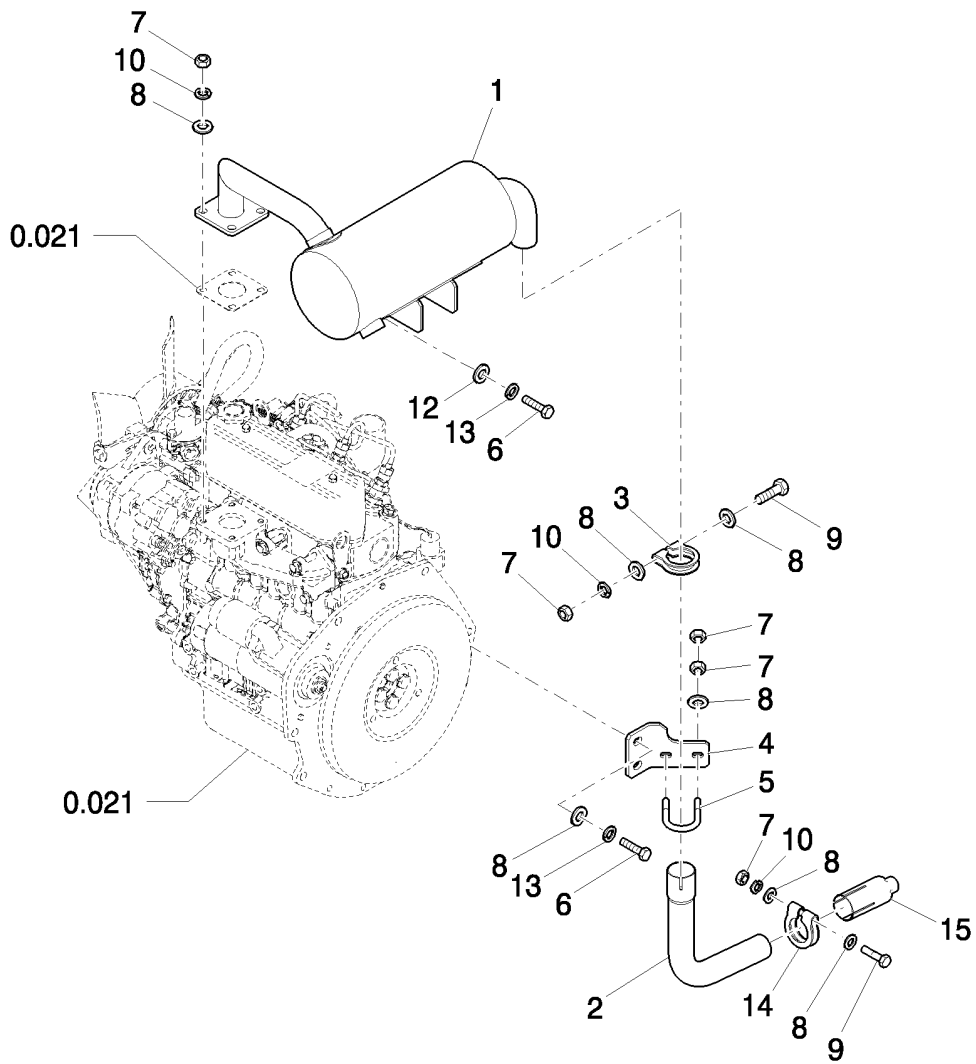
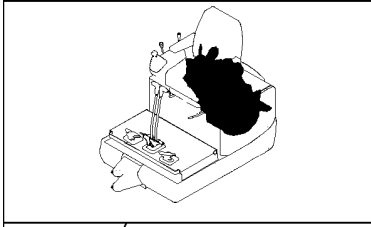
0.002

01

p1

02/08

MUFFLER  
SILENZIATORE  
SCHALLDAEMPFER  
SILENCIEUX

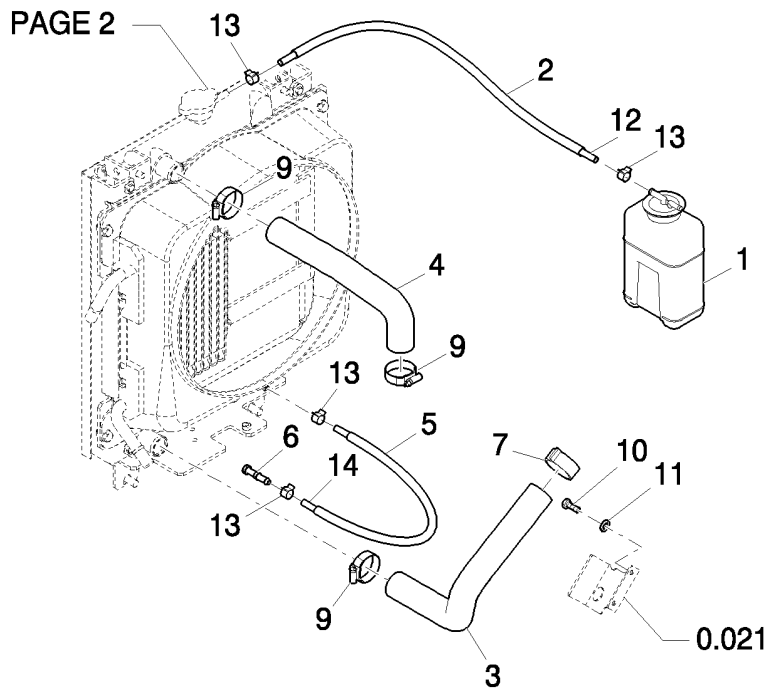
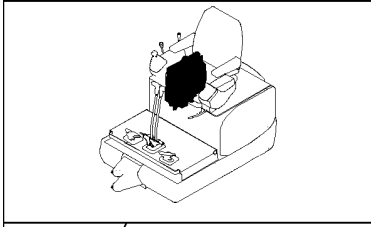


SILENCIADOR  
MUFFLER  
MUFFLER  
MUFFLER

R	N	P.N.	MOD	Q	Description Denominacion	Descrizione Beskrivelse	Bezeichnung Denominação	Description Beschrijving	L.C.
1		87595310		1	MUFFLER SILENCIADOR	SILENZIATORE LYDDAEMPER	SCHALLDÄMPFER SILENCIADOR	SILENCIEUX KNALPOT	160S
2		{87595311}		1					
3		{87540154}		1					
4		87595312		1	PLATE PLACA	PIASTRA PLADE	BLECH, PLATTE CHAPA	PLAQUE PLAAT	105P
5		72281482		1	U-BOLT HORQUILLA	CAVALLOTTO HAARNAAL	BÜGELSCHRAUBE MOLA DE ENGATE	CAVALIER VEERKLEM	100C
6		11106234		4	BOLT, Hex, M10 x 25, 10.9, Full Thd	BULLONE	SCHRAUBE	BOULON	140B
7		16100821		10	TORNILLO NUT, M8, CI 10	SKRUE DADO	PARAFUSO MUTTER	BOUT ECROU	010D
8		14496521		10	TUERCA WASHER, M8 x 17 x 1.6	MOETRIK ROSETTA PIANA	PORCA UNTERLEGSCHIEBE	MOER RONDELLE	131R
9		16044434		1	ARANDELA SCREW	FLADSKIVE VITE	ANILHA SCHRAUBE	SLUITRING VIS	040V
10		10516674		5	TORNILLO WASHER, LOCK, 5/16"	SKRUE ROSETTA DI SICUREZZA	PARAFUSO SICHERUNGSSCHIEBE	SCHROEF RONDELLE FREIN	132R
12		14496621		4	ARANDELA DE FRENO WASHER, M10 x 21 x 2	LAASESKIVE ROSETTA PIANA	ANILHA DE FIXACAO UNTERLEGSCHIEBE	VEERRING RONDELLE	131R
13		10571879		4	ARANDELA WASHER, LOCK, M10	FLADSKIVE ROSETTA DI SICUREZZA	ANILHA SICHERUNGSSCHIEBE	SLUITRING RONDELLE FREIN	132R
					ARANDELA DE FRENO	LAASESKIVE	ANILHA DE FIXACAO	VEERRING	

E16B

RADIATOR  
RADIATORE  
KÜHLER  
RADIATEUR



RADIADOR  
RADIATOR  
RADIATOR  
RADIATOR

R	N	P.N.	MOD	Q	Description Denominacion	Descrizione Beskrivelse	Bezeichnung Denominação	Description Beschrijving	L.C.
1		87555540		1	TANK DEPOSITO	SERBATOIO TANK	TANK☐ DEPOSITO	RESERVOIR TANK	115S
2		87555537		1	HOSE MANGA	MANICOTTO FLESSIBILE SLANGE	SCHLAUCH TUBO FLEXIVEL	FLEXIBLE FLEXIBELE BUIS	030M
3		87550338		1	HOSE, FLEXIBLE MANGA FLEXIBLE	TUBO FLESSIBILE FLEKSIBEL SLANGE	BIEGSAMER SCHLAUCH TUBO FLEXIVEL	TUYAU FLEXIBLE FLEXIBELE SLANG	192T
4		87550339		1	HOSE, FLEXIBLE MANGA FLEXIBLE	TUBO FLESSIBILE FLEKSIBEL SLANGE	BIEGSAMER SCHLAUCH TUBO FLEXIVEL	TUYAU FLEXIBLE FLEXIBELE SLANG	192T
5		87555538		1	HOSE MANGA	MANICOTTO FLESSIBILE SLANGE	SCHLAUCH TUBO FLEXIVEL	FLEXIBLE FLEXIBELE BUIS	030M
6		72280535		1	PLUG TAPÓN	TAPPO PROP	STOPFEN BUJAO	BOUCHON PLUG	050T
7		13425577		1	CLIP, HOSE COLLAR	COLLARE KRAVE	SCHLAUCHKLEMME☐ COLAR	COLLIER BUIKLEM	180C
9		87526520		3	CLAMP COLLAR	MORSETTO CLAMP	SHELLE BRACADEIRA	COLLIER CLAMP	1640
10		10902034		2	SCREW TORNILLO	VITE SKRUE	SCHRAUBE PARAFUSO	VIS SCHROEF	040V
11		14496421		2	WASHER ARANDELA	ROSETTA PIANA FLADSKIVE	UNTERLEGSCHIEBE ANILHA	RONDELLE SLUITRING	131R
12	1	NS		1	NOT SERVICED NO SE REPARA	NON GESTITO NOT SERVICED	KEIN ERSATZTEIL NOT SERVICED	NON FOURNI NIET GESTOCKEERD	061N
13	1	NS		6	NOT SERVICED NO SE REPARA	NON GESTITO NOT SERVICED	KEIN ERSATZTEIL NOT SERVICED	NON FOURNI NIET GESTOCKEERD	061N
14	1	NS		1	NOT SERVICED NO SE REPARA	NON GESTITO NOT SERVICED	KEIN ERSATZTEIL NOT SERVICED	NON FOURNI NIET GESTOCKEERD	061N

(1) See Page 0.003 04

E16B

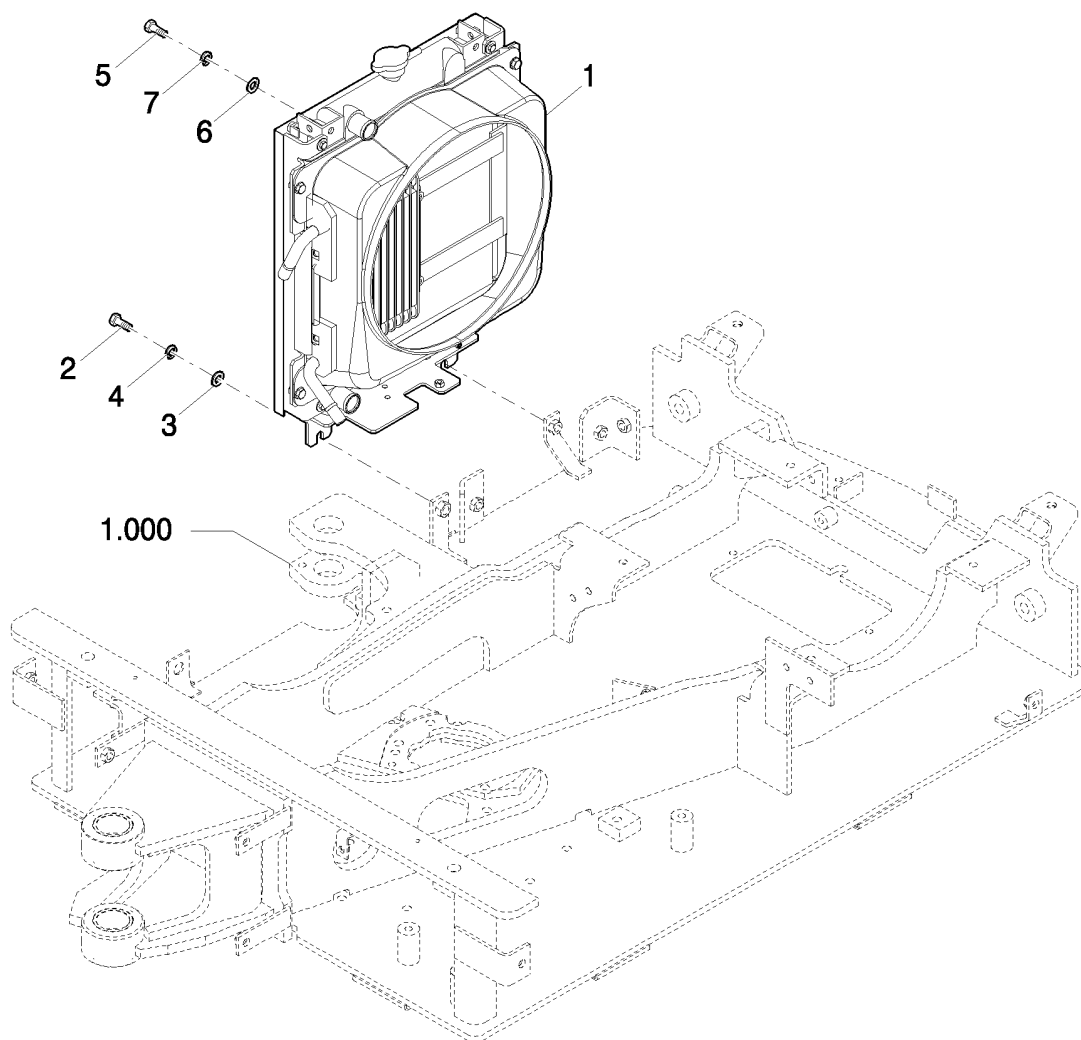
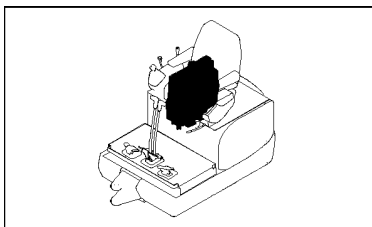
0.003

02

p1

02/08

RADIATOR  
RADIATORE  
KÜHLER  
RADIATEUR



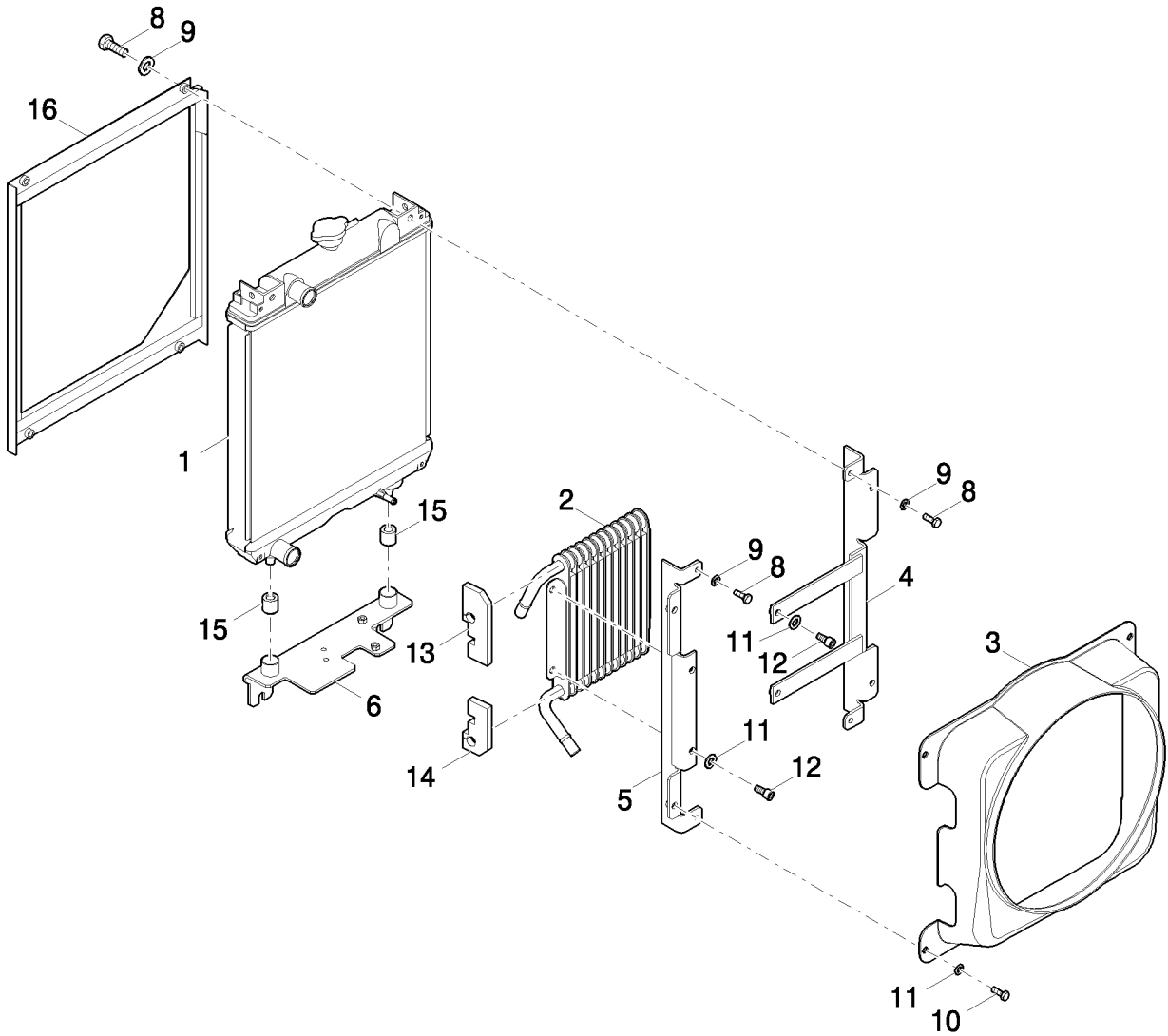
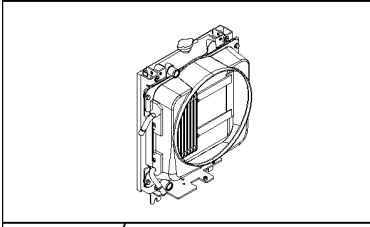
RADIADOR  
RADIATOR  
RADIATOR  
RADIATOR

R	N	P.N.	MOD	Q	Description Denominacion	Descrizione Beskrivelse	Bezeichnung Denominação	Description Beschrijving	L.C.
1	1	87555504		1	RADIATOR RADIADOR	RADIATORE KØLER	KÜHLER ARREFECEDOR	RADIATEUR RADIATORKOELER	025R
2		11106234		2	BOLT, Hex, M10 x 25, 10.9, Full Thd	BULLONE	SCHRAUBE	BOULON	140B
3		14496621		2	TORNILLO WASHER, M10 x 21 x 2 ARANDELA	SKRUE ROSETTA PIANA FLADSKIVE	PARAFUSO UNTERLEGSCHIEBE ANILHA	BOUT RONDELLE SLUITRING	131R
4		10571879		2	WASHER, LOCK, M10 ARANDELA DE FRENO	ROSETTA DI SICUREZZA LAASESKIVE	SICHERUNGSSCHIEBE ANILHA DE FIXACAO	RONDELLE FREIN VEERING	132R
5		16043234		2	BOLT, Hex, M8 x 16, 10.9, Full Thd	BULLONE	SCHRAUBE	BOULON	140B
6		14496521		2	TORNILLO WASHER, M8 x 17 x 1.6 ARANDELA	SKRUE ROSETTA PIANA FLADSKIVE	PARAFUSO UNTERLEGSCHIEBE ANILHA	BOUT RONDELLE SLUITRING	131R
7		10571779		2	WASHER, LOCK ARANDELA DE FRENO	ROSETTA DI SICUREZZA LAASESKIVE	SICHERUNGSSCHIEBE ANILHA DE FIXACAO	RONDELLE FREIN VEERING	132R

(1) See Page 0.003 03

E16B

RADIATOR - COMPONENTS  
RADIATORE - COMPONENTI  
KÜHLER - BESTANDTEILE  
RADIATEUR - COMPOSANTS





**Suggest:**

**If the above button click is invalid.**

**Please download this document**

**first, and then click the above link**

**to download the complete manual.**

**Thank you so much for reading**

RADIADOR - COMPONENTES  
 RADIATOR - COMPONENTS  
 RADIATOR - COMPONENTS  
 RADIATOR - COMPONENTS

R	N	P.N.	MOD	Q	Description Denominacion	Descrizione Beskrivelse	Bezeichnung Denominação	Description Beschrijving	L.C.
1	1	87555517		1	RADIATOR RADIADOR	RADIATORE KØLER	KÜHLER ARREFECEDOR	RADIATEUR RADIATORKOELER	025R
2		87555520		1	COOLER, OIL RADIADOR ACEITE	RADIATORE OLIO OLIEKØLER	ÖLKÜHLER ARREFECEDOR	REFROIDISSEUR D'HUIL RADIATOR	026R
3		87550332		1	SHROUD BOQUILLA	RIPARO DÆKKE	ABDECKUNG(1) COBERTURA	BUSE SHROUD	7830
4		87550322		1	COVER TAPADERA	COPERCHIO DÆKSEL	ABDECKUNG(1) COBERTA	COUVERCLE DEKSEL	265C
5		87550325		1	PLATE PLACA	PIASTRA PLADE	BLECH, PLATTE(1) CHAPA	PLAQUE PLAAT	105P
6		87555522		1	BRACKET PIEZA DE SOPORTE	STAFFA BESLAG	KONSOLE(1) BRACADEIRA	PATTE FIXATION STEUNBEUGEL	225S
8		10902234		8	BOLT, Hex, M6 x 16, 10.9, TORNILLO	Full Thd BULLONE SKRUE	SCHRAUBE PARAFUSO	BOULON BOUT	140B
9		12643721		8	WASHER, M6 x 18 x 1.5 ARANDELA	ROSETTA PIANA FLADSKIVE	UNTERLEGSCHIEBE ANILHA	RONDELLE SLUITRING	131R
10		16043234		4	BOLT, Hex, M8 x 16, 10.9, TORNILLO	Full Thd BULLONE SKRUE	SCHRAUBE PARAFUSO	BOULON BOUT	140B
11		14496521		8	WASHER, M8 x 17 x 1.6 ARANDELA	ROSETTA PIANA FLADSKIVE	UNTERLEGSCHIEBE ANILHA	RONDELLE SLUITRING	131R
12		14306274		4	SCREW TORNILLO	VITE SKRUE	SCHRAUBE PARAFUSO	VIS SCHROEF	040V
13		87555507		1	INSULATION, FOAM ESPUMA AISLANTE	SCHIUMA ISOLANTE SKUM ISOLERING	ISOLIERSCHAUM(1) ESPUMA ISOLANTE	MOUSSE ISOLANTE ISOLATIESCHUIM	051S
14		87555512		1	INSULATION, FOAM ESPUMA AISLANTE	SCHIUMA ISOLANTE SKUM ISOLERING	ISOLIERSCHAUM(1) ESPUMA ISOLANTE	MOUSSE ISOLANTE ISOLATIESCHUIM	051S
15		72953053		2	GASKET JUNTA HERMETICA	GUARNIZIONE PAKNING	DICHTUNG, FLACH JUNTA	JOINT DICHTINGSSTUK	123G
16		87615963		1	PLATE PLACA	PIASTRA PLADE	BLECH, PLATTE(1) CHAPA	PLAQUE PLAAT	105P

(1) See Page 0.003 04

RADIATOR ASSY P/N 87555504

E16B

**<https://www.ebooklibonline.com>**

Hello dear friend!

Thank you very much for reading.

Enter the link into your browser.

The full manual is available for immediate download.

**<https://www.ebooklibonline.com>**