



PARTS CATALOG

SKID STEER COMPACT TRACK LOADER

L185

C185



BD07E059

TABLE OF CONTENTS

- General Information
- Section 2 – Engine
- Section 3 – Fuel System
- Section 4 – Electrical System
- Section 6 – Power train
- Section 7 – Brakes
- Section 8 – Hydraulics
- Section 9 – Chassis/Attachments
- Index

CNH America LLC reserves the right to make improvements in design or changes in specifications at any time without incurring any obligation to install them on units previously sold.

All data given in this publication is subject to production variations. Dimensions and weights are only approximate. Illustrations do not necessarily show products in standard condition. For exact information about any particular product, please consult your Dealer.

REVISION HISTORY			
Issue	Issue Date	Applicable Machines	Remarks
First Edition	01Nov 05	L185/C185 Skid Steer/Compact Track Loader	87359330 ML
Revision 1	01Oct 07	L185/C185 Skid Steer/Compact Track Loader	87659759 ML

TABLE OF CONTENTS

02-01	RADIATOR - COOLANT RECOVERY SYSTEM; BSN L185 NA 1 SPD N8M465249, 2 SPD N8M465247, EU N8M467462; C185 N8M472597
02-01A	FAN, RADIATOR/OIL COOLER - COOLANT RECOVERY SYSTEM; ASN L185 NA 1 SPD N8M465249, 2 SPD N8M465247, EU N8M467462; C185 N8M472597
02-01B	FAN; HIGH FLOW ASN L185 NA 1 SPD N8M465249, 2 SPD N8M465247, EU N8M467462; C185 N8M472597
02-02	FAN, FAN BELT - STANDARD OIL COOLER
02-03	EXHAUST SYSTEM; BSN L185 NA 1 SPD N8M465249, 2 SPD N8M465247, EU N8M467462; C185 N8M472597
02-03A	MUFFLER - ASPIRATED
02-03B	EXHAUST SYSTEM; ASN L185 NA 1 SPD N8M465249, 2 SPD N8M465247, EU N8M467462; C185 N8M472597
02-03C	KIT, ASPIRATOR; ASN L185 NA 1 SPD N8M465249, 2 SPD N8M465247, EU N8M467462; C185 N8M472597
02-04	AIR CLEANER - ENGINE; BSN L185 NA 1 SPD N8M465249, 2 SPD N8M465247, EU N8M467462; C185 N8M472597
02-04A	AIR CLEANER - ENGINE; ASN L185 NA 1 SPD N8M465249, 2 SPD N8M465247, EU N8M467462; C185 N8M472597
02-05	ENGINE - MOUNTING; BSN L185 NA 1 SPD N8M465249, 2 SPD N8M465247, EU N8M467462; C185 N8M472597
02-05A	ENGINE - MOUNTING - NORTH AMERICA ASN L185 NA 1 SPD N8M465249, 2 SPD N8M465247, EU N8M467462; C185 N8M472597
02-05B	ENGINE - MOUNTING - EUROPE ASN L185 NA 1 SPD N8M465249, 2 SPD N8M465247, EU N8M467462; C185 N8M472597
02-05C	CONTROLLER, EGR - DIAGNOSTIC PLUG, ASN L185 NA 1 SPD N8M465249, 2 SPD N8M465247, EU N8M467462; C185 N8M472597
02-06	OIL FILL, ENGINE; BSN L185 NA 1 SPD N8M465249, 2 SPD N8M465247, EU N8M467462; C185 N8M472597
02-06A	OIL FILL, ENGINE, ASN L185 NA 1 SPD N8M465249, 2 SPD N8M465247, EU N8M467462; C185 N8M472597
02-07	ENGINE - BLOCK HEATER; BSN L185 NA 1 SPD N8M465249, 2 SPD N8M465247, EU N8M467462; C185 N8M472597
02-07A	ENGINE - BLOCK HEATER; ASN L185 NA 1 SPD N8M465249, 2 SPD N8M465247, EU N8M467462; C185 N8M472597
02-07B	GRID HEATER; BSN L185 NA 1 SPD N8M465249, 2 SPD N8M465247, EU N8M467462; C185 N8M472597
02-07C	GRID HEATER; ASN L185 NA 1 SPD N8M465249, 2 SPD N8M465247, EU N8M467462; C185 N8M472597
02-08	ENGINE BSN L185 NA 1 SPD N8M465249, 2 SPD N8M465247, EU N8M467462; C185 N8M472597
02-09	CYLINDER BLOCK; BSN L185 NA 1 SPD N8M465249, 2 SPD N8M465247, EU N8M467462; C185 N8M472597
02-10	CYLINDER BLOCK; BSN L185 NA 1 SPD N8M465249, 2 SPD N8M465247, EU N8M467462; C185 N8M472597
02-11	OIL PUMP, PAN; BSN L185 NA 1 SPD N8M465249, 2 SPD N8M465247, EU N8M467462; C185 N8M472597
02-12	CYLINDER BLOCK - COVERS; BSN L185 NA 1 SPD N8M465249, 2 SPD N8M465247, EU N8M467462; C185 N8M472597
02-13	BREATHING - ENGINE; BSN L185 NA 1 SPD N8M465249, 2 SPD N8M465247, EU N8M467462; C185 N8M472597
02-14	CYLINDER HEAD; BSN L185 NA 1 SPD N8M465249, 2 SPD N8M465247, EU N8M467462; C185 N8M472597
02-15	CYLINDER HEAD - COVERS; BSN L185 NA 1 SPD N8M465249, 2 SPD N8M465247, EU N8M467462; C185 N8M472597

TABLE OF CONTENTS

02-16	CYLINDER HEAD - VALVE MECHANISM; BSN L185 NA 1 SPD N8M465249, 2 SPD N8M465247, EU N8M467462; C185 N8M472597
02-17	INTAKE MANIFOLD; BSN L185 NA 1 SPD N8M465249, 2 SPD N8M465247, EU N8M467462; C185 N8M472597
02-18	EXHAUST MANIFOLD; BSN L185 NA 1 SPD N8M465249, 2 SPD N8M465247, EU N8M467462; C185 N8M472597
02-19	CRANKSHAFT; BSN L185 NA 1 SPD N8M465249, 2 SPD N8M465247, EU N8M467462; C185 N8M472597
02-21	PISTON - ENGINE; BSN L185 NA 1 SPD N8M465249, 2 SPD N8M465247, EU N8M467462; C185 N8M472597
02-22	FLYWHEEL - ENGINE; BSN L185 NA 1 SPD N8M465249, 2 SPD N8M465247, EU N8M467462; C185 N8M472597
02-23	PULLEY - CRANKSHAFT; BSN L185 NA 1 SPD N8M465249, 2 SPD N8M465247, EU N8M467462; C185 N8M472597
02-24	CAMSHAFT - TIMING CONTROL; BSN L185 NA 1 SPD N8M465249, 2 SPD N8M465247, EU N8M467462; C185 N8M472597
02-25	TURBOCHARGER; BSN L185 NA 1 SPD N8M465249, 2 SPD N8M465247, EU N8M467462; C185 N8M472597
02-26	ENGINE, OIL; BSN L185 NA 1 SPD N8M465249, 2 SPD N8M465247, EU N8M467462; C185 N8M472597
02-27	OIL PUMP - ENGINE; BSN L185 NA 1 SPD N8M465249, 2 SPD N8M465247, EU N8M467462; C185 N8M472597
02-28	OIL FILTERS - ENGINE; BSN L185 NA 1 SPD N8M465249, 2 SPD N8M465247, EU N8M467462; C185 N8M472597
02-29	PIPING - ENGINE OIL; BSN L185 NA 1 SPD N8M465249, 2 SPD N8M465247, EU N8M467462; C185 N8M472597
02-30	OIL FILTER AND COOLER; BSN L185 NA 1 SPD N8M465249, 2 SPD N8M465247, EU N8M467462; C185 N8M472597
02-31	WATER PUMP; BSN L185 NA 1 SPD N8M465249, 2 SPD N8M465247, EU N8M467462; C185 N8M472597
02-32	COOLING SYSTEM - ENGINE; BSN L185 NA 1 SPD N8M465249, 2 SPD N8M465247, EU N8M467462; C185 N8M472597
02-33	THERMOSTAT - ENGINE COOLING SYSTEM; BSN L185 NA 1 SPD N8M465249, 2 SPD N8M465247, EU N8M467462; C185 N8M472597
02-34	WATER PUMP - CONTROL; BSN L185 NA 1 SPD N8M465249, 2 SPD N8M465247, EU N8M467462; C185 N8M472597
02-35	FAN DRIVE; BSN L185 NA 1 SPD N8M465249, 2 SPD N8M465247, EU N8M467462; C185 N8M472597
02-36	POWER TAKE OFF; BSN L185 NA 1 SPD N8M465249, 2 SPD N8M465247, EU N8M467462; C185 N8M472597
02-37	ENGINE - LIFT HOOK; BSN L185 NA 1 SPD N8M465249, 2 SPD N8M465247, EU N8M467462; C185 N8M472597
02-38	CONNECTING ROD; BSN L185 NA 1 SPD N8M465249, 2 SPD N8M465247, EU N8M467462; C185 N8M472597
02-39	ENGINE ASSY (87380450); ASN L185 NA 1 SPD N8M465249, 2 SPD N8M465247, EU N8M467462; C185 N8M472597
02-40	CYLINDER BLOCK & RELATED PARTS; ASN L185 NA 1 SPD N8M465249, 2 SPD N8M465247, EU N8M467462; C185 N8M472597
02-41	OIL SUMP & RELATED PARTS; ASN L185 NA 1 SPD N8M465249, 2 SPD N8M465247, EU N8M467462; C185 N8M472597
02-42	ENGINE BLOCK FRONT COVER; ASN L185 NA 1 SPD N8M465249, 2 SPD N8M465247, EU N8M467462; C185 N8M472597
02-43	FLYWHEEL CASE; ASN L185 NA 1 SPD N8M465249, 2 SPD N8M465247, EU N8M467462; C185 N8M472597

<https://www.ebooklibonline.com>

Hello dear friend!

Thank you very much for reading.

Enter the link into your browser.

The full manual is available for immediate download.

<https://www.ebooklibonline.com>

TABLE OF CONTENTS

02-44	ENGINE BREATHERS; ASN L185 NA 1 SPD N8M465249, 2 SPD N8M465247, EU N8M467462; C185 N8M472597
02-45	CYLINDER HEAD & RELATED PARTS; ASN L185 NA 1 SPD N8M465249, 2 SPD N8M465247, EU N8M467462; C185 N8M472597
02-46	CYLINDER HEAD COVERS; ASN L185 NA 1 SPD N8M465249, 2 SPD N8M465247, EU N8M467462; C185 N8M472597
02-47	ROCKER SHAFT; ASN L185 NA 1 SPD N8M465249, 2 SPD N8M465247, EU N8M467462; C185 N8M472597
02-48	INTAKE MANIFOLD; ASN L185 NA 1 SPD N8M465249, 2 SPD N8M465247, EU N8M467462; C185 N8M472597
02-49	HEAT EXCHANGER - ENGINE; ASN L185 NA 1 SPD N8M465249, 2 SPD N8M465247, EU N8M467462; C185 N8M472597
02-50	EXHAUST MANIFOLD; ASN L185 NA 1 SPD N8M465249, 2 SPD N8M465247, EU N8M467462; C185 N8M472597
02-51	CRANKSHAFT; ASN L185 NA 1 SPD N8M465249, 2 SPD N8M465247, EU N8M467462; C185 N8M472597
02-52	CONNECTING ROD; ASN L185 NA 1 SPD N8M465249, 2 SPD N8M465247, EU N8M467462; C185 N8M472597
02-53	PISTON - ENGINE; ASN L185 NA 1 SPD N8M465249, 2 SPD N8M465247, EU N8M467462; C185 N8M472597
02-54	ENGINE - FLYWHEEL; ASN L185 NA 1 SPD N8M465249, 2 SPD N8M465247, EU N8M467462; C185 N8M472597
02-55	PULLEY - CRANKSHAFT; ASN L185 NA 1 SPD N8M465249, 2 SPD N8M465247, EU N8M467462; C185 N8M472597
02-56	CAMSHAFT - TIMING CONTROL; ASN L185 NA 1 SPD N8M465249, 2 SPD N8M465247, EU N8M467462; C185 N8M472597
02-57	TURBOCHARGER; ASN L185 NA 1 SPD N8M465249, 2 SPD N8M465247, EU N8M467462; C185 N8M472597
02-59	PUMP, ENGINE OIL & RELATED PARTS; ASN L185 NA 1 SPD N8M465249, 2 SPD N8M465247, EU N8M467462; C185 N8M472597
02-60	FILTER ENGINE OIL; ASN L185 NA 1 SPD N8M465249, 2 SPD N8M465247, EU N8M467462; C185 N8M472597
02-61	OIL PUMP PIPING; ASN L185 NA 1 SPD N8M465249, 2 SPD N8M465247, EU N8M467462; C185 N8M472597
02-62	HEAT EXCHANGER; ASN L185 NA 1 SPD N8M465249, 2 SPD N8M465247, EU N8M467462; C185 N8M472597
02-63	WATER PUMP & RELATED PARTS; ASN L185 NA 1 SPD N8M465249, 2 SPD N8M465247, EU N8M467462; C185 N8M4725
02-64	PIPING - ENGINE COOLING SYSTEM; ASN L185 NA 1 SPD N8M465249, 2 SPD N8M465247, EU N8M467462; C185 N8M472597
02-65	TEMPERATURE CONTROL (THERMOSTAT); ASN L185 NA 1 SPD N8M465249, 2 SPD N8M465247, EU N8M467462; C185 N8M472597
02-66	BELT PULLEY DRIVE & COVER; ASN L185 NA 1 SPD N8M465249, 2 SPD N8M465247, EU N8M467462; C185 N8M472597
02-67	HOOKS - ENGINE; ASN L185 NA 1 SPD N8M465249, 2 SPD N8M465247, EU N8M467462; C185 N8M472597
02-68	DIAGNOSTIC SENSOR; ASN L185 NA 1 SPD N8M465249, 2 SPD N8M465247, EU N8M467462; C185 N8M472597
02-70	MONITORING ELECTRICAL ACCESSORIES; ASN L185 NA 1 SPD N8M465249, 2 SPD N8M465247, EU N8M467462; C185 N8M472597
03-01	FUEL TANK; BSN L185 NA 1 SPD N8M465249, 2 SPD N8M465247, EU N8M467462; C185 N8M472597
03-01A	FUEL TANK; ASN L185 NA 1 SPD N8M465249, 2 SPD N8M465247, EU N8M467462; C185 N8M472597
03-02	CONTROLS - THROTTLE, LEFT SIDE

TABLE OF CONTENTS

03-02A	CONTROLS - THROTTLE, RIGHT SIDE
03-02B	CONTROLS - THROTTLE, DELUXE CAB; IF USED, SEE REF 18
03-02C	CONTROLS - THROTTLE, DELUXE CAB; IF USED, SEE REF 18
03-03	FUEL INJECTION PUMP; BSN L185 NA 1 SPD N8M465249, 2 SPD N8M465247, EU N8M467462; C185 N8M472597
03-03A	INJECTION PUMP; ASN L185 NA 1 SPD N8M465249, 2 SPD N8M465247, EU N8M467462; C185 N8M472597
03-04	FUEL INJECTION SYSTEM - INJECTOR; BSN L185 NA 1 SPD N8M465249, 2 SPD N8M465247, EU N8M467462; C185 N8M472597
03-04A	INJECTION EQUIPMENT - INJECTOR; ASN L185 NA 1 SPD N8M465249, 2 SPD N8M465247, EU N8M467462; C185 N8M472597
03-05	INJECTION PUMP - CONTROL; BSN L185 NA 1 SPD N8M465249, 2 SPD N8M465247, EU N8M467462; C185 N8M472597
03-05A	INJECTION EQUIPMENT - PIPING; ASN L185 NA 1 SPD N8M465249, 2 SPD N8M465247, EU N8M467462; C185 N8M472597
03-06	FUEL INJECTION SYSTEM; BSN L185 NA 1 SPD N8M465249, 2 SPD N8M465247, EU N8M467462; C185 N8M472597
03-06A	INJECTION EQUIPMENT - PIPING; ASN L185 NA 1 SPD N8M465249, 2 SPD N8M465247, EU N8M467462; C185 N8M472597
03-07	FUEL INJECTION SYSTEM; BSN L185 NA 1 SPD N8M465249, 2 SPD N8M465247, EU N8M467462; C185 N8M472597
03-07A	INJECTION EQUIPMENT - FUEL, RETURN; ASN L185 NA 1 SPD N8M465249, 2 SPD N8M465247, EU N8M467462; C185 N8M472597
03-08	FUEL FILTER; BSN L185 NA 1 SPD N8M465249, 2 SPD N8M465247, EU N8M467462; C185 N8M472597
03-08A	FUEL FILTER; ASN L185 NA 1 SPD N8M465249, 2 SPD N8M465247, EU N8M467462; C185 N8M472597
03-09	FUEL PUMP; BSN L185 NA 1 SPD N8M465249, 2 SPD N8M465247, EU N8M467462; C185 N8M472597
03-09A	FUEL PUMP; ASN L185 NA 1 SPD N8M465249, 2 SPD N8M465247, EU N8M467462; C185 N8M472597
03-10	FUEL INJECTION SYSTEM; BSN L185 NA 1 SPD N8M465249, 2 SPD N8M465247, EU N8M467462; C185 N8M472597
03-10A	PIPING - FUEL; ASN L185 NA 1 SPD N8M465249, 2 SPD N8M465247, EU N8M467462; C185 N8M472597
03-11	FUEL INJECTION SYSTEM; BSN L185 NA 1 SPD N8M465249, 2 SPD N8M465247, EU N8M467462; C185 N8M472597
04-01	STARTER MOUNTING - ALTERNATOR MOUNTING; BSN L185 NA 1 SPD N8M465249, 2 SPD N8M465247, EU N8M467462; C185 N8M472597
04-01A	ALTERNATOR; BSN L185 NA 1 SPD N8M465249, 2 SPD N8M465247, EU N8M467462; C185 N8M472597
04-01B	STARTER MOUNTING - ALTERNATOR MOUNTING; ASN L185 NA 1 SPD N8M465249, 2 SPD N8M465247, EU N8M467462; C185 N8M472597
04-01C	ENGINE, ALTERNATOR MOUNTING; ASN L185 NA 1 SPD N8M465249, 2 SPD N8M465247, EU N8M467462; C185 N8M472597
04-02	BATTERY - CABLES
04-02A	BATTERY - CABLES, DELUXE CAB; BSN L185 NA 1 SPD N8M465249, 2 SPD N8M465247, EU N8M467462; C185 N8M472597
04-02B	BATTERY - CABLES, DELUXE CAB; ASN L185 NA 1 SPD N8M465249, 2 SPD N8M465247, EU N8M467462; C185 N8M472597
04-02C	ENGINE ELECTRIC INSTALLATION; ASN L185 NA 1 SPD N8M465249, 2 SPD N8M465247, EU N8M467462; C185 N8M472597
04-03	ELECTRIC, CAB
04-03A	OPTIONAL ADVANCED INSTRUMENT CLUSTER
04-03B	DIAGNOSTIC PLUG

TABLE OF CONTENTS

04-03C	ELECTRIC CAB - RIGHT HAND CONSOLE, DELUXE CAB
04-03D	ELECTRIC CAB - LEFT HAND CONSOLE, DELUXE CAB, BSN L185 NA 1 SPD N8M465249, 2 SPD N8M465247, EU N8M467462; C185 N8M472597
04-03E	ELECTRIC CAB - LEFT HAND CONSOLE, DELUXE CAB; ASN L185 NA 1 SPD N8M465249, 2 SPD N8M465247, EU N8M467462; C185 N8M472597
04-03F	ELECTRIC CAB - MAIN HARNESS AND FUSE BLOCK, DELUXE CAB
04-03G	ELECTRIC CAB, HARNESS AND FUSE BLOCK (EUROPE) - DELUXE CAB
04-03H	ELECTRIC CAB, DELUXE CAB
04-03I	ELECTRIC CAB - LIGHTS, DELUXE CAB
04-03K	ELECTRIC CAB, TURN SIGNALS - DELUXE CAB
04-04	ELECTRIC, CAB - 4-WAY FLASHERS
04-04A	ELECTRIC - CAB (EUROPE)
04-05	ELECTRIC, ENGINE; BSN L185 NA 1 SPD N8M465249, 2 SPD N8M465247, EU N8M467462; C185 N8M472597
04-05A	ELECTRIC, ENGINE; ASN L185 NA 1 SPD N8M465249, 2 SPD N8M465247, EU N8M467462; C185 N8M472597
04-05B	SWITCH ASSY - OIL PRESSURE
04-06	ELECTRIC, MAIN
04-07	ELECTRIC, MAIN
04-08	ELECTRIC, CHASSIS
04-08A	ELECTRIC, CHASSIS - DELUXE CAB
04-08B	ELECTRIC, CHASSIS; ASN L185 NA 1 SPD N8M465249, 2 SPD N8M465247, EU N8M467462; C185 N8M472597
04-09	ELECTRIC, MOUNTING PLATE
04-09A	ELECTRIC, MOUNTING PLATE - DELUXE CAB
04-10	BACKUP ALARM
04-10A	BACK-UP ALARM - MODELS WITH PILOT CONTROL; IF USED
04-10B	BACK UP ALARM - MODELS WITH PILOT CONTROL; IF USED
04-11	HORN AND TURN SIGNAL
04-11A	HORN - DELUXE CAB
04-12	REMOTE JUMP START (IF USED)
04-12A	REMOTE JUMP START (IF USED)
04-13	ELECTRIC POWER KIT
04-14	WARNING BEACON LIGHT
04-14A	BEACON KIT, DELUXE CAB
04-15	REAR LIGHT BAR, ON-ROAD
04-15A	REAR LIGHT BAR, ON ROAD
04-15B	REAR LIGHT ASSEMBLY - DELUXE CAB
04-16	BOOM, ON ROAD
04-16A	BOOM, ON ROAD - DELUXE CAB
04-16A	BOOM, ON-ROAD LIGHTS (EUROPE) IF USED
04-17	FRONT HEADLAMP, ON-ROAD
04-17A	FRONT HEADLAMP WITH TURN SIGNALS, ON ROAD
04-17B	FRONT HEADLAMP - DELUXE CAB
04-17C	FRONT AND REAR WORK LIGHTS - DELUXE CAB
04-18	HARNESS, TWO SPEED
04-19	PILOT CONTROL HARNESS
04-20	LOADER LOCKOUT, PILOT CONTROLS (EUROPE)
04-21	HEAT AND AIR CONDITIONING CONTROLS; ASN L185 NA 1 SPD N8M465249, 2 SPD N8M465247, EU N8M467462; C185 N8M472597
06-01	PUMP, TANDEM - MOUNTING (L185)
06-01A	PUMP, TANDEM - MOUNTING C185 BSN N8M472597
06-01B	PUMP, TANDEM - MOUNTING C185 ASN N8M472597
06-01C	PUMP, TANDEM - MOUNTING, MODELS WITH PILOT CONTROL (NORTH AMERICA)
06-01D	PUMP, TANDEM - MOUNTING, MODELS WITH PILOT CONTROL (NORTH AMERICA)

TABLE OF CONTENTS

06-01E	PUMP, TANDEM - MOUNTING, MODELS WITH PILOT CONTROL (C185 EUROPE)
06-02	HYDROSTATICS - TANDEM PUMP; BSN L185 NA 1 SPD N8M465249, 2 SPD N8M465247, EU N8M467462
06-02A	HYDROSTATICS - TANDEM PUMP; ASN L185 NA 1 SPD N8M465249, 2 SPD N8M465247, EU N8M467462
06-02B	HYDROSTATICS - TANDEM PUMP (C185)
06-02C	HYDROSTATICS AND RESONATOR - TANDEM PUMP C185 BSN N8M472597
06-02D	HYDROSTATICS AND RESONATOR - TANDEM PUMP C185 ASN N8M472597
06-02F	HYDROSTATICS AND RESONATOR - TANDEM PUMP; BSN L185 NA 1 SPD N8M465249, 2 SPD N8M465247, EU N8M467462
06-02G	HYDROSTATICS AND RESONATOR - TANDEM PUMP; ASN L185 NA 1 SPD N8M465249, 2 SPD N8M465247, EU N8M467462
06-02H	HYDROSTATICS - TANDEM PUMP, EUROPE (L185)
06-02I	HYDROSTATICS - PUMP TO MANIFOLD, MODELS WITH PILOT CONTROLS
06-02J	HYDROSTATICS - PUMP TO MANIFOLD, MODELS WITH PILOT CONTROLS
06-03	HYDROSTATICS - PUMP TO MANIFOLD; BSN L185 NA 1 SPD N8M465249, 2 SPD N8M465247, EU N8M467462
06-03A	HYDROSTATICS - PUMP TO MANIFOLD; ASN L185 NA 1 SPD N8M465249, 2 SPD N8M465247, EU N8M467462
06-03B	HYDROSTATICS - DRIVE MOTORS TO MANIFOLD C185 BSN N8M472597
06-03C	HYDROSTATICS - DRIVE MOTORS TO MANIFOLD C185 ASN N8M472597
06-03D	HYDROSTATICS - DRIVE MOTORS C185 ASN N8M472597
06-03E	HYDROSTATICS - DRIVE MOTORS TO MANIFOLD, MODELS WITH PILOT CONTROL
06-03G	HYDROSTATICS - DRIVE MOTORS TO MANIFOLD, MODELS WITH PILOT CONTROL
06-04	HYDROSTATICS - PILOT CONTROL TO PUMP
06-04A	HYDROSTATICS - JOYSTICK VALVE KITS, ISO PATTERN, LEFT HAND
06-04B	HYDROSTATICS - JOYSTICK VALVE KITS, ISO PATTERN, LEFT HAND
06-04C	HYDROSTATICS - JOYSTICK VALVE KITS, ISO PATTERN, LEFT HAND
06-05	HYDROSTATICS - TWO SPEED (L185)
06-05A	HYDROSTATICS - TWO SPEED (C185)
06-05B	HYDROSTATICS - TWO SPEED, MODELS WITH PILOT CONTROL
06-05C	HYDROSTATICS - TWO SPEED, VALVE ASSY
06-06	PUMP, GEAR
06-06A	PUMP, GEAR (HIGH FLOW)
06-07	MOTOR ASSY (C185)
06-07A	MOTOR ASSY - KITS (C185)
06-07B	MOTOR ASSY - KITS (C185)
06-07C	MOTOR ASSY - TWO SPEED
06-08	MOTOR ASSY - SINGLE SPEED
06-09	MOTOR ASSY - SINGLE SPEED
06-10	MOTOR ASSY - SINGLE SPEED
06-11	MOTOR ASSY - TWO SPEED
06-12	MOTOR ASSY - TWO SPEED
06-13	MOTOR ASSY - TWO SPEED
06-14	PUMP, TANDEM
06-15	PUMP, TANDEM
06-16	PUMP, TANDEM
06-17	PUMP, TANDEM
06-18	PUMP, TANDEM
06-19	PUMP, TANDEM
06-20	FINAL DRIVE (L185)
06-20A	FINAL DRIVE (C185)
06-21	TRANSMISSION CENTERING; BSN L185 NA 1 SPD N8M465249, 2 SPD N8M465247, EU N8M467462; C185 N8M472597

TABLE OF CONTENTS

06-21A	TRANSMISSION CENTERING; ASN L185 NA 1 SPD N8M465249, 2 SPD N8M465247, EU N8M467462; C185 N8M472597
06-22	WHEELS
06-22A	TRACK (C185)
06-23	REXROTH PUMP AA22
06-24	PRESSURE RELIEF VALVE
06-25	PRESSURE RELIEF VALVE
06-26	INTERNAL GEAR PUMP
06-27	ROTARY GROUP, RIGHT HAND ROTATION
06-28	ROTARY GROUP, LEFT HAND ROTATION
06-29	CONTROL, HYDRAULIC
06-30	CONTROL CARTRIDGE WITH ORIFICE
06-31	VALVE SECTION - LOCKING ELEMENTS
07-01	BRAKE SYSTEM - HYDRAULIC; BSN L185 NA 1 SPD N8M465249, 2 SPD N8M465247, EU N8M467462; C185 N8M472597
07-01A	BRAKE SYSTEM - HYDRAULIC, MODELS WITH PILOT CONTROL
07-01B	BRAKE SYSTEM - HYDRAULIC; ASN L185 NA 1 SPD N8M465249, 2 SPD N8M465247, EU N8M467462; C185 N8M472597
07-02	BRAKE, ON-ROAD, EUROPE
07-03	BRAKE - ON ROAD, PILOT CONTROL
08-01	CONTROL VALVE
08-01A	CONTROL VALVE, MODELS WITH PILOT CONTROL
08-01B	CONTROL VALVE, SEAL REPLACEMENT KITS
08-01C	CONTROL VALVE, SEAL KIT
08-01D	CONTROL VALVE, SPOOL END GROUP P. O.
08-01E	CONTROL VALVE, SPOOL END GROUP P. O.
08-01F	CONTROL VALVE - SPOOL END GROUP, DETENT
08-01G	CONTROL VALVE, CHECK VALVE GROUP
08-01H	CONTROL VALVE, SPOOL END GROUP P. O.
08-01J	CONTROL VALVE, PLUGS AND VALVES
08-02	HYDRAULICS - CONTROL VALVE
08-02A	HYDRAULICS - CONTROL VALVE, MODELS WITH PILOT CONTROL
08-02B	HYDRAULICS - PILOT CONTROL TO CONTROL VALVE
08-02C	HYDRAULICS - JOYSTICK VALVE KITS, ISO PATTERN, RIGHT HAND
08-02D	HYDRAULICS - CONTROL VALVE, MOUNT PLATE
08-03	BUCKET HYDRAULICS, STANDARD
08-04	HYDRAULICS - BUCKET, HIGH FLOW
08-05	HYDRAULICS - BOOM, STANDARD
08-06	HYDRAULICS - BOOM, HIGH FLOW
08-07	HYDRAULICS - HIGH FLOW
08-07A	HYDRAULICS - HIGH FLOW, PILOT CONTROL; BSN L185 NA 1 SPD N8M465249, 2 SPD N8M465247, EU N8M467462; C185 N8M472597
08-07B	HYDRAULICS - HIGH FLOW, PILOT CONTROL; ASN L185 NA 1 SPD N8M465249, 2 SPD N8M465247, EU N8M467462
08-07C	HYDRAULICS - HIGH FLOW, PILOT CONTROL; BSN C185 N8M472597
08-07D	HYDRAULICS - HIGH FLOW, PILOT CONTROL; ASN C185 N8M472597
08-07E	HYDRAULICS - HIGH FLOW, DELUXE CAB; BSN L185 NA 1 SPD N8M465249, 2 SPD N8M465247, EU N8M467462; C185 N8M472597
08-07F	HYDRAULICS - HIGH FLOW
08-07G	HYDRAULICS - HIGH FLOW, DELUXE CAB; ASN L185 NA 1 SPD N8M465249, 2 SPD N8M465247, EU N8M467462; C185 N8M472597
08-08	CONTROL VALVE HYDRAULICS, MODELS WITH PILOT CONTROL, EH AUX CONTROL
08-08A	CONTROL VALVE, MODELS WITH PILOT CONTROL, EH AUX CONTROL

TABLE OF CONTENTS

08-08B	CONTROL VALVE EH PLUMBING, MODELS WITH PILOT CONTROL, EH AUX CONTROL
08-09	HYDRAULIC OIL COOLER - HIGH FLOW
08-09A	HYDRAULIC OIL COOLER - HIGH FLOW, PILOT CONTROL
08-09B	HYDRAULICS - OIL COOLER BYPASS; ASN L185 NA 1 SPD N8M465249, 2 SPD N8M465247, EU N8M467462; C185 N8M472597
08-10	VALVE ASSY, CONTROL - HAND CONTROL
08-10A	CONTROL VALVE ASSY - HAND CONTROL
08-11	VALVE ASSY, CONTROL - FOOT CONTROL
08-11A	VALVE ASSY, CONTROL - SEAL REPLACEMENT KITS
08-12	VALVE ASSY, HIGH FLOW
08-12A	VALVE ASSY, HIGH FLOW
08-12B	CONTROL VALVE ASSY
08-12C	CONTROL VALVE ASSY
08-13	HYDRAULICS - MOUNTING PLATE; IF USED
08-13A	HYDRAULICS - MOUNTING PLATE; IF USED
08-13B	HYDRAULIC MOUNT PLATE SHIELD KIT
08-14	VALVE ASSY - MOUNTING PLATE
08-15	HYDRAULICS - MOUNTING PLATE, WITHOUT HIGH FLOW
08-15A	HYDRAULICS - MOUNTING PLATE CONVERSION, WITHOUT HIGH FLOW
08-15B	HYDRAULICS - MOUNTING PLATE, WITHOUT HIGH FLOW (IF USED)
08-16	HYDRAULICS - MOUNTING PLATE, HIGH FLOW
08-16A	HYDRAULICS - MOUNTING PLATE CONVERSION, HIGH FLOW
08-17	CYLINDER ASSY - MOUNTING PLATE
08-18	BUCKET CYLINDER
08-19	BOOM CYLINDER
08-20	FILTER AND RESERVOIR; BSN L185 NA 1 SPD N8M465249, 2 SPD N8M465247, EU N8M467462; C185 N8M472597
08-20A	FILTER AND RESERVOIR; ASN L185 NA 1 SPD N8M465249, 2 SPD N8M465247, EU N8M467462; C185 N8M472597
08-21	FILTER ASSY
08-22	CONNECT UNDER PRESSURE COUPLERS
08-23	SECONDARY FRONT AUXILIARY
08-23A	SECONDARY FRONT AUXILIARY - DELUXE CAB
08-24	SECONDARY REAR AUXILIARY
08-24A	SECONDARY REAR AUXILIARY - DELUXE CAB
08-25	SECONDARY AUXILIARY - VALVE ASSY
08-26	CONTROL VALVE - SEAL REPLACEMENT KITS
08-27	CONTROL VALVE - SEAL KIT
08-28	CONTROL VALVE - MAIN RELIEF VALVE
08-29	CONTROL VALVE - SPOOL END GROUP, DETENT
08-30	CONTROL VALVE - SPOOL END GROUP
08-31	CONTROL VALVE - SPOOL END GROUP
08-32	CONTROL VALVE - CHECK VALVE GROUP
08-33	CONTROL VALVE - SPOOL END GROUP, DETENT
08-34	CONTROL VALVE - SPOOL END GROUP
08-34A	CONTROL VALVE - SPOOL END GROUP
08-35	CONTROL VALVE - SPOOL END GROUP
08-36	CONTROL VALVE - SEAL REPLACEMENT KITS
08-37	CONTROL VALVE - SEAL KIT
08-38	CONTROL VALVE - MAIN RELIEF VALVE
08-39	CONTROL VALVE, PLUGS AND VALVES
08-40	CONTROL VALVE, CHECK VALVE GROUP
08-41	CONTROL VALVE - SPOOL END GROUP, DETENT
08-42	CONTROL VALVE, SPOOL END GROUP P. O.

TABLE OF CONTENTS

08-43	CONTROL VALVE, SPOOL END GROUP P. O.
08-44	CONTROL VALVE, SPOOL END GROUP P. O.
08-45	CONTROL VALVE - SPOOL END GROUP
08-46	CONTROL VALVE - CHECK VALVE GROUP
08-47	CONTROL VALVE - SPOOL END GROUP, DETENT
08-48	CONTROL VALVE - SPOOL END GROUP, DETENT
08-49	CONTROL VALVE 87658052 - SEAL REPLACEMENT KITS
08-50	CONTROL VALVE, SPOOL END GROUP EHPV
08-51	CONTROL VALVE, SPOOL END GROUP EHPV
09-01	CHASSIS; BSN L185 NA 1 SPD N8M465249, 2 SPD N8M465247, EU N8M467462
09-01A	CHASSIS (C185) BSN N8M472597
09-01B	CHASSIS; ASN L185 NA 1 SPD N8M465249, 2 SPD N8M465247, EU N8M467462
09-01C	CHASSIS (C185) ASN N8M472597
09-02	PLATES, FLOOR
09-02A	FIRE EXTINGUISHER & INSIDE REAR-VIEW MIRROR
09-03	MOUNTING PLATE
09-04	BOOM (L185)
09-04B	BOOM (C185)
09-04C	BOOM (C185 EUROPE)
09-05	BOOM LOCK
09-05A	BOOM FLOAT KIT
09-05B	CLEARANCE KIT
09-06	BUCKETS - LOADER, DIRT / FOUNDRY
09-07	BUCKETS - LOADER, EXTENDED LOW PROFILE
09-08	BUCKETS - LOADER, UTILITY / LIGHT MATERIAL
09-09	BUCKETS - LOADER, MANURE / SLURRY
09-09A	BUCKET, CUTTING EDGE
09-09B	BUCKET, CUTTING EDGE KIT
09-09C	SPILL GUARD
09-09D	CLEARANCE KIT
09-10	PALLET FORK
09-11	FENDERS
09-11A	REAR FENDERS
09-12	CAB
09-12A	CAB - RIGHT HAND THROTTLE
09-12B	CAB - DELUXE CAB
09-12C	CAB - INTERIOR TRIM, MANUAL CONTROLS, DELUXE CAB
09-12D	CAB - INTERIOR TRIM, PILOT CONTROLS, DELUXE CAB
09-13	THRESHOLD - REAR WINDOW
09-13A	CAB - THRESHOLD, DELUXE CAB
09-13B	CAB - THRESHOLD/WASHER FLUID TANK, DELUXE CAB
09-14	CAB - WINDOWS
09-14A	CAB - WINDOWS AND HEADLINER, DELUXE CAB
09-14B	CAB - SIDE WINDOW, LEFT HAND, DELUXE CAB
09-14C	CAB - SIDE WINDOW, RIGHT HAND, DELUXE CAB
09-14D	CAB - TOP WINDOW, DELUXE CAB
09-14E	CAB - SIDE WINDOW ASSY, LEFT HAND, DELUXE CAB
09-14F	CAB - SIDE WINDOW, LEFT HAND ASSY, DELUXE CAB
09-14G	CAB - SIDE WINDOW, LEFT HAND ASSY, DELUXE CAB
09-14H	CAB - SIDE WINDOW, RIGHT HAND, DELUXE CAB
09-14I	CAB - SIDE WINDOW, RIGHT HAND ASSY, DELUXE CAB
09-14J	CAB - SIDE WINDOW, RIGHT HAND ASSY, DELUXE CAB
09-15	CAB DOOR
09-16	CAB DOOR - WIPER
09-17	CAB DOOR

TABLE OF CONTENTS

09-17A	CAB - DOOR AND FRAME, DELUXE CAB
09-17B	CAB - DOOR, DELUXE CAB
09-17C	CAB - DOOR FRAME, DELUXE CAB
09-17D	CAB - DOOR KIT, DELUXE CAB
09-17E	DOOR - SWITCH ASSY
09-18	DEMOLITION DOOR
09-18A	CAB - DEMOLITION DOOR KIT, DELUXE CAB
09-18B	CAB - DEMOLITION DOOR AND FRAME, DELUXE CAB
09-18C	CAB - DEMOLITION DOOR, DELUXE CAB
09-19	DOOR, REAR; BSN L185 NA 1 SPD N8M465249, 2 SPD N8M465247, EU N8M467462; C185 N8M472597
09-19A	DOOR, REAR; ASN L185 NA 1 SPD N8M465249, 2 SPD N8M465247, EU N8M467462; C185 N8M472597
09-20	REAR HOOD; BSN L185 NA 1 SPD N8M465249, 2 SPD N8M465247, EU N8M467462; C185 N8M472597
09-20A	REAR HOOD; ASN L185 NA 1 SPD N8M465249, 2 SPD N8M465247, EU N8M467462; C185 N8M472597
09-21	CAB HEADLINER
09-21A	CAB - HEADLINER, DELUXE CAB
09-21B	CAB HEADLINER, DELUXE OPEN CAB
09-22	HEADLINER, CAB HEATER
09-23	HEATER SYSTEM
09-23A	HEATER SYSTEM, DELUXE CAB; BSN L185 NA 1 SPD N8M465249, 2 SPD N8M465247, EU N8M467462; C185 N8M472597
09-23B	HEATER SYSTEM, DELUXE CAB; ASN L185 NA 1 SPD N8M465249, 2 SPD N8M465247, EU N8M467462; C185 N8M472597
09-24	CAB HEATER
09-24A	CAB HEATER, DELUXE CAB
09-25	HEATER AND AIR CONDITIONING; BSN L185 NA 1 SPD N8M465249, 2 SPD N8M465247, EU N8M467462; C185 N8M472597
09-25A	HEATER AND AIR CONDITIONING SYSTEM, DELUXE CAB; BSN L185 NA 1 SPD N8M465249, 2 SPD N8M465247, EU N8M467462; C185 N8M472597
09-25B	HEATER AND AIR CONDITIONING; ASN L185 NA 1 SPD N8M465249, 2 SPD N8M465247, EU N8M467462; C185 N8M472597
09-25C	HEATER AND AIR CONDITIONING SYSTEM; ASN L185 NA 1 SPD N8M465249, 2 SPD N8M465247, EU N8M467462; C185 N8M472597
09-26	COMPRESSOR - CONDENSER, MODELS WITH AIR CONDITIONING
09-27	HEADLINER, MODELS WITH AIR CONDITIONING; BSN L185 NA 1 SPD N8M465249, 2 SPD N8M465247, EU N8M467462; C185 N8M472597
09-28	AIR CONDITIONING ASSY
09-28A	HEATER AND AIR CONDITIONING UNIT, DELUXE CAB
09-29	HAND CONTROL - LEVERS
09-29B	HAND CONTROL - PILOT CONTROL, UPPER RH
09-29C	HAND CONTROL - PILOT CONTROL, UPPER RH
09-29D	HAND CONTROL - PILOT CONTROL, UPPER LH
09-29E	HAND CONTROL - PILOT CONTROL, UPPER LH
09-30	HAND CONTROL - KICK PANEL
09-31	HAND CONTROL - KICK PANEL
09-32	HAND CONTROL - TUNNEL COMPONENTS
09-32A	HAND CONTROL - TUNNEL COMPONENTS, PILOT CONTROL
09-33	HAND CONTROL - PEDALS; IF USED
09-33A	HAND CONTROL - PEDALS; IF USED
09-33B	PEDALS - MODELS WITH PILOT CONTROL
09-33C	FOOT THROTTLE KIT; BSN L185 NA 1 SPD N8M465249, 2 SPD N8M465247, EU N8M467462; C185 N8M472597

TABLE OF CONTENTS

09-33D	FOOT THROTTLE KIT; ASN L185 NA 1 SPD N8M465249, 2 SPD N8M465247, EU N8M467462; C185 N8M472597
09-34	FOOT CONTROL - KICK PANEL
09-35	FOOT CONTROL - LEVERS
09-36	FOOT CONTROL - KICK PANEL, RIGHT HAND
09-37	FOOT CONTROL - KICK PANEL, LEFT HAND
09-38A	MULTI-FUNCTION HANDLE, LH
09-38B	MULTI-FUNCTION HANDLE - CONTROL
09-39	HANDLE, CONTROL, RIGHT HAND
09-39A	HANDLE, CONTROL, LEFT HAND
09-39B	HANDLE, LEFT HAND
09-39C	HANDLES, CONTROL - MODELS WITH PILOT CONTROL
09-40	PEDAL ASSY
09-40A	KIT, FOOT CONTROL SHOCK ABSORBER
09-41	SEAT ASSY, STANDARD
09-41A	SEAT ASSY, STANDARD
09-42	SEAT ASSY, SUSPENSION
09-42A	SEAT ASSY, SUSPENSION
09-43	SEAT BELT, STANDARD
09-44	SEAT BELT
09-44A	SEAT BELTS, OPTIONAL
09-44B	SEAT BELT, 3 IN. COMBINATION - IF USED
09-44C	SEAT BELT, LAP BELT
09-45	FOREARM REST
09-45A	ARMREST - MODELS WITH PILOT CONTROL
09-45B	ARMREST - DELUXE CAB
09-46	COUNTERWEIGHT
09-47	SLOW MOVING VEHICLE EMBLEM KIT
09-47A	CAB JACK KIT
09-48	NOISE KIT
09-48A	NOISE KIT - MODELS WITH HIGH FLOW
09-48C	ACOUSTICAL EQUIPMENT - DELUXE CAB
09-48D	ACOUSTICAL EQUIPMENT - PILOT CONTROL CONSOLE
09-49	MISCELLANEOUS PARTS, ON-ROAD
09-49A	MANUAL COMPARTMENT LOCK & FIRE EXTINGUISHER (EUROPE)
09-50	NOISE CONTROL; BSN L185 NA 1 SPD N8M465249, 2 SPD N8M465247, EU N8M467462; C185 N8M472597
09-50A	NOISE CONTROL; ASN L185 NA 1 SPD N8M465249, 2 SPD N8M465247, EU N8M467462; C185 N8M472597
09-50B	NOISE CONTROL, MUFFLER; ASN L185 NA 1 SPD N8M465249, 2 SPD N8M465247, EU N8M467462; C185 N8M472597
09-51	DECALS - PILOT CONTROLS
09-52	DECALS - MODEL (L185)
09-53	DECALS - MODEL (C185)
09-54	DECALS
09-55	DECALS (L185)
09-56	DECALS (C185)
09-57	DECALS (L185)
09-58	DECALS (C185)
09-59	DECALS (C185)
09-60	DECALS, THROTTLE
09-61	DECALS - EUROPE (C185)
09-62	DECALS - CONTROLS
09-63	DECALS - DELUXE CAB
09-64	DECALS - DELUXE CAB

TABLE OF CONTENTS

09-65	DECALS - BOOM AND LOAD (DELUXE CAB)
09-66	DECALS - 35TH ANNIVERSARY
09-67	DECALS

GENERAL INFORMATION

PROPRIETARY NOTICE

The contents of this manual are proprietary data of this company. Reproduction or use of any part for other than the operation and maintenance of our equipment is permissible only if expressly authorized in writing.

Additional copies may be obtained from your dealer. Address requests for copies to your Dealer and refer to the publication part number appearing on the bottom of the rear catalog cover or on the title page.

COMPANY POLICY

Company policy, which is one of continuous improvement, reserves the right to change prices and to make changes in design and specification at any time without notice and without obligation to modify units previously built.

All data given in this book is subject to production variations. Dimensions and weights are approximate only and the illustrations do not necessarily show machines in standard condition. For exact information about any particular machine please consult your dealer.

PARTS AND ACCESSORIES

Genuine parts and accessories have been specifically designed for these machines.

We would like to point out that “non-genuine” parts and accessories have NOT been examined and released by the Company. The installation and or use of such products could have negative effects upon the design characteristics of your machine and thereby affect its safety. The company is not liable for any damage caused by the use of “non-genuine” parts and accessories.

IMPROVEMENTS

We are continually striving to improve our products. We reserve the right to make improvements or changes when it becomes practical and possible to do so, without incurring any obligation to make changes or additions to the equipment sold previously.

MODEL CODES

The range of machines listed may not be available in all countries or markets therefore, for the latest information consult your local dealer.

OWNER ASSISTANCE

We want you to be completely satisfied with your investment. Normally any problems with your equipment will be handled by your dealer's Service Department; however, misunderstandings can occur. If your problem has not been handled to your satisfaction, we suggest the following:

1. Contact the owner or General Manager of the dealership, explain the problem, and request assistance. When additional assistance is needed, your dealer has direct access to our office.
2. Provide your dealer with:
 - Your Name, Address, and Telephone number
 - Machine Model and Serial Number
 - Dealership Name and Address
 - Machine purchase date and amount of use
 - Nature of problem

Be aware that your problem will likely be resolved in the dealership using the dealer's facilities, equipment, and personnel. So it is important that your initial contact be with the dealer.

SPARE PARTS

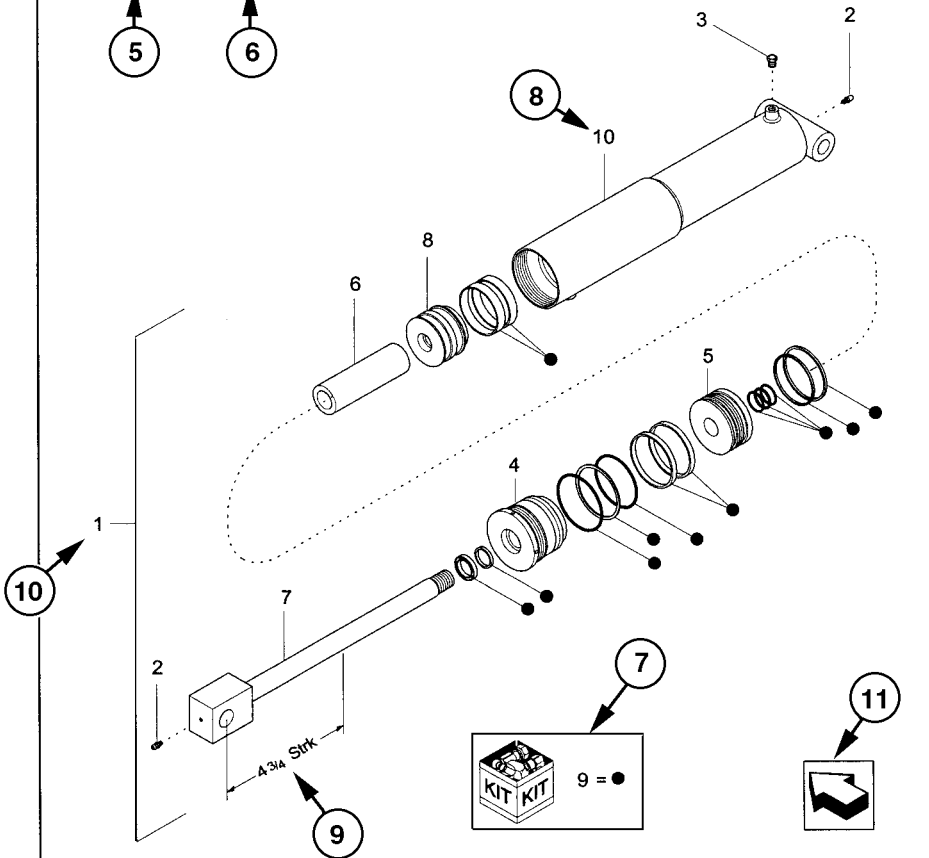
To maintain operating efficiency, use original spare parts.

When ordering parts, give the following information:

- Machine Model
- Machine and Engine Serial Numbers
- Part Number from the Parts Catalog

1 **08-01** | 2 01 | 3 p1 | 4 01/02

HYDRAULIC CYLINDER - 396137A2



1 **08-01** | 2 01 | 3 p1 | 4 01/02

HYDRAULIC CYLINDER - 396137A2

REF	FN	PART NUMBER	YR/SN	QTY	DESCRIPTION
1	1	396137A2	BTW 01/85 & 02/02	1	CYLINDER ASSY. 4-3/4 in strk, Inc 2-10
2		31-95	Before 01/85	2	FITTING
2		219-8	From 01/85	2	NIPPLE, LUBE Grease, 1/4 tpr x 17/32
3		{402475A2}		1	BREATHER
4		402474A1		1	CAP CYLINDER END
5		402468A1	BSN JJC0189199	1	PISTON ROD/GLAND
5		145221C3	ASN JJC0189200	1	PISTON
6		402471A1		1	SPACER
7		402473A1		1	ROD, PISTON
8		402469A1		1	PISTON ROD/GLAND
9		402476A1		1	PACKAGE, SEALS
10		NSS		1	NOT SERVICED SEPARAT CASE ASSEMBLY

(1) 08-20

STANDARD

MODELS



Suggest:

If the above button click is invalid.

Please download this document

first, and then click the above link

to download the complete manual.

Thank you so much for reading

HOW TO USE YOUR PARTS CATALOG

1. Figure Number
2. Sequence Code within the Figure Number
3. Page Number within the Sequence Code
4. Date of Printing (month / year)
5. Figure Description
6. General information regarding the figure
7. Parts supplied in repair kits per symbol reference
8. Figure call-out of the part number (REF)
9. Technical specifications relating to the part indicated
10. Figure call-out includes bracketed items, the included items may also be listed in the additional description area
11. Orientation - Arrow indicates front of the machine
12. Footnote - Additional information relating to the part number. In this example, 08-20 equals another figure that this part is shown on
13. Part Number
 - NSS = Not Serviced Separately (Non-serviced parts)
 - Bracketed numbers = not available as service parts in this market
14. Not Available as service part in this market
15. YR/SN
 - Year
 - Before 01/85 = Part valid for production January 1985 and before
 - From 01/85 = Part valid for production from January 1985 and after
 - BTW 01/85 & 02/02 = Part valid for machines produced between January 1985 and February 2002.
 - Serial Number (P.I.N.)
 - BSN JJC0268800 = Part valid for serial number JJC0268800 and below
 - ASN JJC0268800 = Part valid for serial number JJC0268800 and above
 - BTW JJC0178000 & JJC0179000 = Part valid for serial numbers between JJC0178000 & JJC0179000
16. Total Quantity of the Part referred to in the page. The quantity can be replaced by the following indications:
 - AR = As Required
 - X = As required
17. Part Description
18. Additional description of the part to help confirm identification
19. Figure Notes
20. Model Number(s)

RIGHT-HAND AND LEFT-HAND

The reference to right-hand and left-hand in this catalog is identified by the operator standing at the rear of the basic unit (without rear attachment), looking toward the front of the machine (in normal forward travel).

For pages covering any machine attachments, right-hand and left-hand are defined by the operator sitting in the position for proper operation of the attachment.

DIMENSIONS

Metric and U.S. hardware dimensions do not show the numeric designations of standard coarse threads. A number following a semi colon (;) is the class or grade of hardware. A comma (,) represents the decimal point (.) used in U.S. dimensions.

<https://www.ebooklibonline.com>

Hello dear friend!

Thank you very much for reading.

Enter the link into your browser.

The full manual is available for immediate download.

<https://www.ebooklibonline.com>