

SERVICE MANUAL

Boomer™ 40 Cab / Boomer™ 50 Cab Compact Tractor

*Boomer™ 40 - From PIN 0 to 2103012735; From PIN 2103012736 to 2106014859; PIN 2106014860 and above;
Boomer™ 50 - From PIN 0 to 2105012137; From PIN 2105012138 to 2105013791; PIN 2105013792 and above*

Part number 48017703

1st edition English
December 2016





SERVICE MANUAL

Boomer™ 40 4WD, Cab, Europe, Boomer™ 40 [0 - 2103012735] , Boomer™ 40 [2103012736 - 2106014859] , Boomer™ 40 [2106014860 -] , Boomer™ 50 4WD, Cab, Europe, Boomer™ 50 [0 - 2105012137] , Boomer™ 50 [2105012138 - 2105013791], Boomer™ 50 [2105013792 -]

Link Product / Engine

Product	Market Product	Engine
Boomer™ 40 4WD, Cab, Europe	Europe	S4Q2
Boomer™ 40 [0 - 2103012735]	Europe	S4Q2
Boomer™ 40 [2103012736 - 2106014859]	Europe	S4Q2
Boomer™ 40 [2106014860 -]	Europe	S4Q2
Boomer™ 50 4WD, Cab, Europe	Europe	S4Q2
Boomer™ 50 [0 - 2105012137]	Europe	S4Q2
Boomer™ 50 [2105012138 - 2105013791]	Europe	S4Q2
Boomer™ 50 [2105013792 -]	Europe	S4Q2

<https://www.ebooklibonline.com>

Hello dear friend!

Thank you very much for reading.

Enter the link into your browser.

The full manual is available for immediate download.

<https://www.ebooklibonline.com>

Contents

INTRODUCTION

Engine	10
[10.001] Engine and crankcase	10.1
[10.202] Air cleaners and lines	10.2
[10.206] Fuel filters	10.3
[10.218] Fuel injection system.....	10.4
[10.304] Engine lubrication system.....	10.5
[10.400] Engine cooling system	10.6
Clutch	18
[18.100] Clutch mechanical release control	18.1
[18.110] Clutch and components	18.2
[18.112] Slip clutch or flywheel damper	18.3
Transmission	21
[21.114] Mechanical transmission	21.1
[21.140] Mechanical transmission internal components.....	21.2
Front axle system	25
[25.100] Powered front axle	25.1
[25.102] Front bevel gear set and differential	25.2
[25.108] Final drive hub, steering knuckles, and shafts	25.3
[25.310] Final drives	25.4
Rear axle system	27
[27.106] Rear bevel gear set and differential	27.1
[27.120] Planetary and final drives	27.2
Hydrostatic drive	29
[29.100] Transmission and steering hydrostatic control	29.1
[29.202] Hydrostatic transmission	29.2

[29.218] Pump and motor components.....	29.3
Power Take-Off (PTO).....	31
[31.101] Rear mechanical control	31.1
[31.104] Rear electro-hydraulic control.....	31.2
[31.114] Two-speed rear Power Take-Off (PTO)	31.3
[31.120] Central Power Take-Off (PTO)	31.4
Brakes and controls	33
[33.110] Parking brake or parking lock	33.1
[33.120] Mechanical service brakes	33.2
Hydraulic systems.....	35
[35.000] Hydraulic systems.....	35.1
[35.104] Fixed displacement pump	35.2
[35.114] Three-point hitch control valve	35.3
[35.116] Three-point hitch cylinder	35.4
[35.204] Remote control valves	35.5
[35.300] Reservoir, cooler, and filters.....	35.6
[35.350] Safety and main relief valves	35.7
[35.355] Hydraulic hand control	35.8
Hitches, drawbars, and implement couplings.....	37
[37.100] Drawbars and towing hitches	37.1
[37.108] Rear three-point hitch external controls.....	37.2
[37.110] Rear three-point hitch	37.3
Steering.....	41
[41.101] Steering control	41.1
[41.106] Tie rods.....	41.2
[41.200] Hydraulic control components.....	41.3
[41.216] Cylinders	41.4

Wheels	44
[44.511] Front wheels	44.1
[44.520] Rear wheels	44.2
Cab climate control	50
[50.100] Heating	50.1
[50.104] Ventilation	50.2
[50.200] Air conditioning	50.3
Electrical systems	55
[55.000] Electrical system	55.1
[55.010] Fuel injection system	55.2
[55.011] Fuel tank system	55.3
[55.012] Engine cooling system	55.4
[55.013] Engine oil system	55.5
[55.031] Parking brake electrical system	55.6
[55.048] Rear Power Take-Off (PTO) control system	55.7
[55.100] Harnesses and connectors	55.8
[55.201] Engine starting system	55.9
[55.202] Cold start aid	55.10
[55.302] Battery	55.11
[55.404] External lighting	55.12
[55.405] External lighting switches and relays	55.13
[55.408] Warning indicators, alarms, and instruments	55.14
[55.525] Cab engine controls	55.15
[55.610] Ground speed control	55.16
[55.640] Electronic modules	55.17
Platform, cab, bodywork, and decals	90
[90.100] Engine hood and panels	90.1
[90.110] Operator platform less cab	90.2

[90.116] Fenders and guards 90.3

[90.120] Mechanically-adjusted operator seat..... 90.4

[90.150] Cab..... 90.5

[90.151] Cab interior..... 90.6

[90.154] Cab doors and hatches 90.7

[90.156] Cab windshield and windows 90.8



INTRODUCTION

Foreword

Boomer™ 40	WE
Boomer™ 50	WE

This repair manual provides the technical information needed to properly service the NEW HOLLAND models Boomer 40 and 50 tractors. Use this manual in conjunction with the operator's manual for complete operation, adjustment, and maintenance information

On NEW HOLLAND equipment, left and right are determined by standing behind the unit, looking in the direction of travel.

Foreword - Important notice regarding equipment servicing

Boomer™ 40	WE
Boomer™ 50	WE

All repair and maintenance work listed in this manual must be carried out only by qualified dealership personnel, strictly complying with the instructions given, and using, whenever possible, the special tools.

Anyone who performs repair and maintenance operations without complying with the procedures provided herein shall be responsible for any subsequent damages.

The manufacturer and all the organizations of its distribution chain, including - without limitation - national, regional, or local dealers, reject any responsibility for damages caused by parts and/or components not approved by the manufacturer, including those used for the servicing or repair of the product manufactured or marketed by the manufacturer. In any case, no warranty is given or attributed on the product manufactured or marketed by the manufacturer in case of damages caused by parts and/or components not approved by the manufacturer.

The manufacturer reserves the right to make improvements in design and changes in specifications at any time without notice and without incurring any obligation to install them on units previously sold. Specifications, descriptions, and illustrative material herein are as accurate as known at time of publication but are subject to change without notice.

In case of questions, refer to your NEW HOLLAND Sales and Service Networks.

Safety rules

Boomer™ 40	WE
Boomer™ 50 4WD, Cab, Europe	WE Platform - With cab


Personal safety





This is the safety alert symbol. It is used to alert you to potential personal injury hazards. Obey all safety messages that follow this symbol to avoid possible death or injury.

Throughout this manual you will find the signal words DANGER, WARNING, and CAUTION followed by special instructions. These precautions are intended for the personal safety of you and those working with you.

Read and understand all the safety messages in this manual before you operate or service the machine.

 DANGER indicates a hazardous situation that, if not avoided, will result in death or serious injury.

 WARNING indicates a hazardous situation that, if not avoided, could result in death or serious injury.

 CAUTION indicates a hazardous situation that, if not avoided, could result in minor or moderate injury.

FAILURE TO FOLLOW DANGER, WARNING, AND CAUTION MESSAGES COULD RESULT IN DEATH OR SERIOUS INJURY.

Machine safety

NOTICE: Notice indicates a situation that, if not avoided, could result in machine or property damage.

Throughout this manual you will find the signal word Notice followed by special instructions to prevent machine or property damage. The word Notice is used to address practices not related to personal safety.

Information

NOTE: Note indicates additional information that clarifies steps, procedures, or other information in this manual.

Throughout this manual you will find the word Note followed by additional information about a step, procedure, or other information in the manual. The word Note is not intended to address personal safety or property damage.

Safety rules - Ecology and the environment

Boomer™ 40	WE
Boomer™ 50	WE

Soil, air, and water quality is important for all industries and life in general. When legislation does not yet rule the treatment of some of the substances that advanced technology requires, sound judgment should govern the use and disposal of products of a chemical and petrochemical nature.

Familiarize yourself with the relative legislation applicable to your country, and make sure that you understand this legislation. Where no legislation exists, obtain information from suppliers of oils, filters, batteries, fuels, anti-freeze, cleaning agents, etc., with regard to the effect of these substances on man and nature and how to safely store, use, and dispose of these substances.

Helpful hints

- Avoid the use of cans or other inappropriate pressurized fuel delivery systems to fill tanks. Such delivery systems may cause considerable spillage.
- In general, avoid skin contact with all fuels, oils, acids, solvents, etc. Most of these products contain substances that may be harmful to your health.
- Modern oils contain additives. Do not burn contaminated fuels and or waste oils in ordinary heating systems.
- Avoid spillage when you drain fluids such as used engine coolant mixtures, engine oil, hydraulic fluid, brake fluid, etc. Do not mix drained brake fluids or fuels with lubricants. Store all drained fluids safely until you can dispose of the fluids in a proper way that complies with all local legislation and available resources.
- Do not allow coolant mixtures to get into the soil. Collect and dispose of coolant mixtures properly.
- The air-conditioning system contains gases that should not be released into the atmosphere. Consult an air-conditioning specialist or use a special extractor to recharge the system properly.
- Repair any leaks or defects in the engine cooling system or hydraulic system immediately.
- Do not increase the pressure in a pressurized circuit as this may lead to a component failure.
- Protect hoses during welding. Penetrating weld splatter may burn a hole or weaken hoses, allowing the loss of oils, coolant, etc.

Battery recycling

Batteries and electric accumulators contain several substances that can have a harmful effect on the environment if the batteries are not properly recycled after use. Improper disposal of batteries can contaminate the soil, groundwater, and waterways. NEW HOLLAND strongly recommends that you return all used batteries to a NEW HOLLAND dealer, who will dispose of the used batteries or recycle the used batteries properly. In some countries, this is a legal requirement.



Mandatory battery recycling

NOTE: The following requirements are mandatory in Brazil.

Batteries are made of lead plates and a sulfuric acid solution. Because batteries contain heavy metals such as lead, CONAMA Resolution 401/2008 requires you to return all used batteries to the battery dealer when you replace any batteries. Do not dispose of batteries in your household garbage.

Points of sale are obliged to:

- Accept the return of your used batteries
- Store the returned batteries in a suitable location
- Send the returned batteries to the battery manufacturer for recycling



SERVICE MANUAL

Engine

Boomer™ 40 4WD, Cab, Europe, Boomer™ 40 [0 - 2103012735] , Boomer™ 40 [2103012736 - 2106014859] , Boomer™ 40 [2106014860 -] , Boomer™ 50 4WD, Cab, Europe, Boomer™ 50 [0 - 2105012137] , Boomer™ 50 [2105012138 - 2105013791], Boomer™ 50 [2105013792 -]

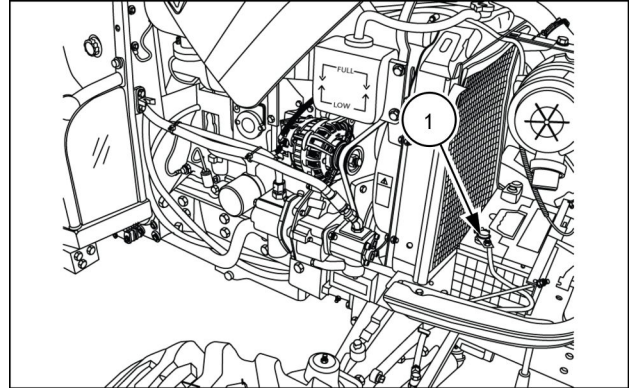
CONSUMABLES INDEX

Consumable	Reference	PAGE
NEW HOLLAND AMBRA MASTERGOLD™ HSP ENGINE OIL SAE 15W-40	Engine lubrication system - Change fluid and engine oil filter	10.5 / 4
NEW HOLLAND AMBRA MASTERGOLD™ HSP ENGINE OIL SAE 10W-30	Engine lubrication system - Change fluid and engine oil filter	10.5 / 4
NEW HOLLAND AMBRA MASTERGOLD HSP SAE 5W-30	Engine lubrication system - Change fluid and engine oil filter	10.5 / 4

Engine - Remove - Separating the tractor at the clutch housing/engine

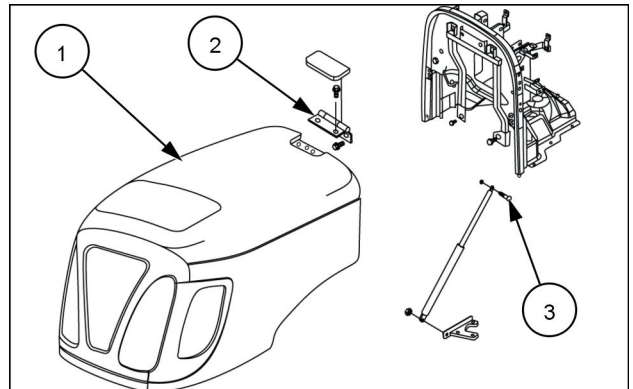
Boomer™ 40 4WD, Cab, Europe	WE Platform - With cab
Boomer™ 40 [0 - 2103012735]	WE
Boomer™ 40 [2103012736 - 2106014859]	WE
Boomer™ 40 [2106014860 -]	WE
Boomer™ 50 4WD, Cab, Europe	WE Platform - With cab
Boomer™ 50 [0 - 2105012137]	WE
Boomer™ 50 [2105012138 - 2105013791]	WE
Boomer™ 50 [2105013792 -]	WE

1. Chock all four wheels so that the tractor cannot move.
2. Disconnect negative (-) battery cable **(1)**.



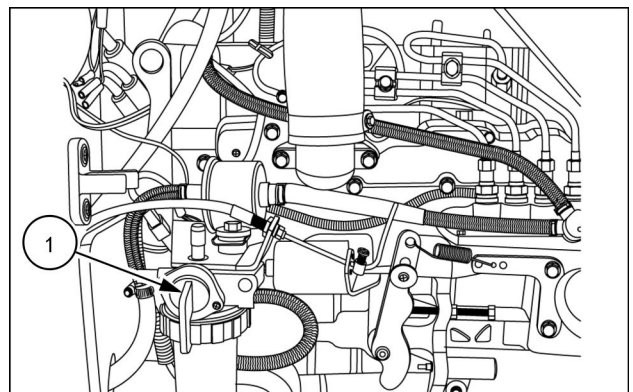
93100929 1

3. Disconnect headlight wire harness.
4. Disassemble the pin **(3)** at the hood strut and wire harness connector.
5. Remove hinge cover and M8 x 16mm bolt **(2)**.
6. Carefully remove hood **(1)**.



93102238 2

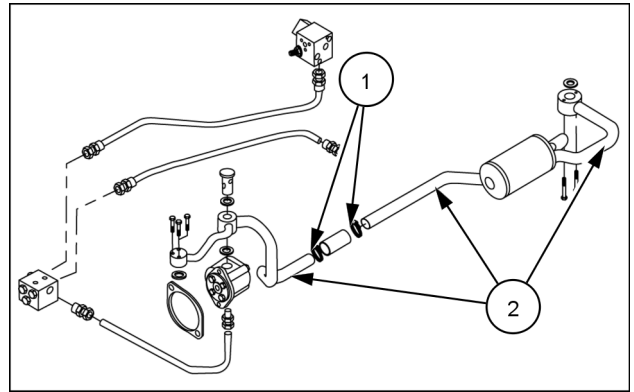
7. Disconnect the main and engine wire harnesses.
8. Turn off fuel supply at the filter **(1)**, and then disconnect fuel hose.



93102239 3

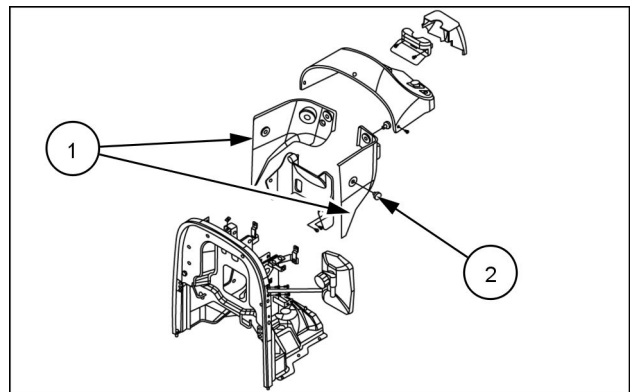
9. Position a drain pan to collect drain oil and unfasten clamps **(1)**.

10. Disassemble suction tube assembly **(2)**.



93102240 4

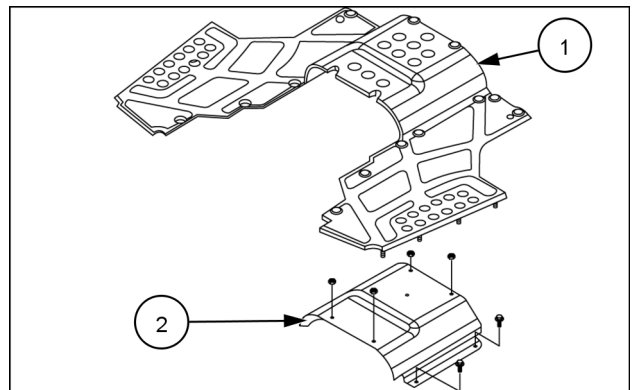
11. Remove the knobs **(2)** on both rear cover halves **(1)** and remove.



93102241 5

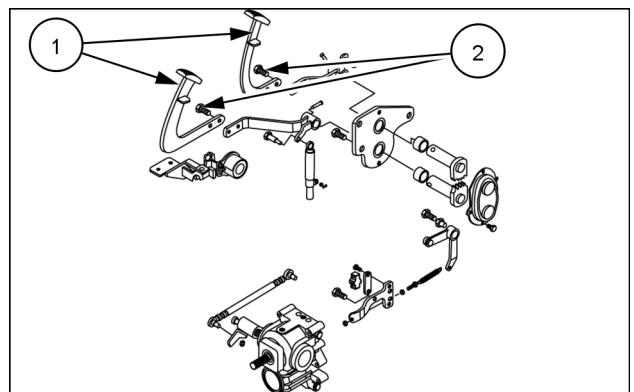
12. Remove the mat **(1)**.

13. Remove the M8 nuts and bolts and remove cover **(2)**.



93102242 6

14. Remove the bolts **(2)** and remove the pedals **(1)**.



93102243 7



Suggest:

If the above button click is invalid.

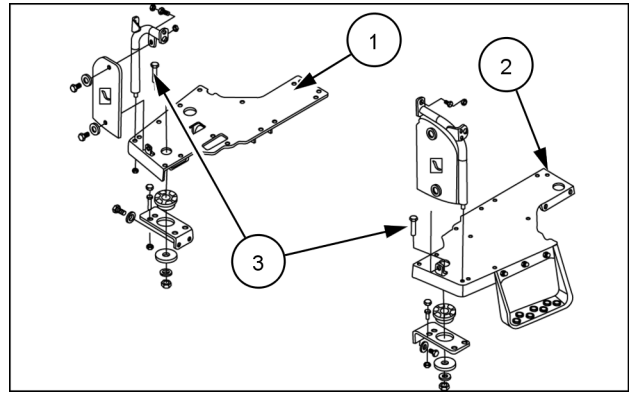
Please download this document

first, and then click the above link

to download the complete manual.

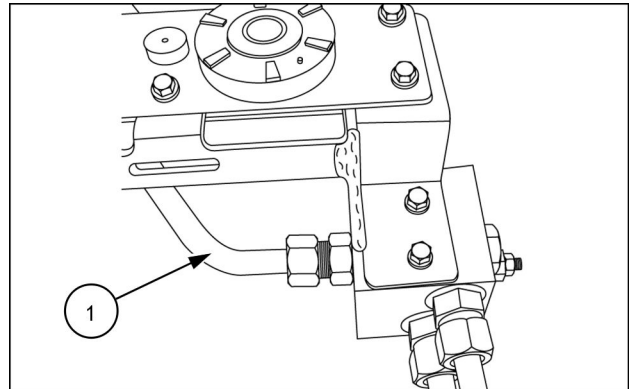
Thank you so much for reading

15. Remove the seven M8 and one M24 bolts **(3)**.
16. Remove right-hand step **(1)** and left-hand step **(2)**.



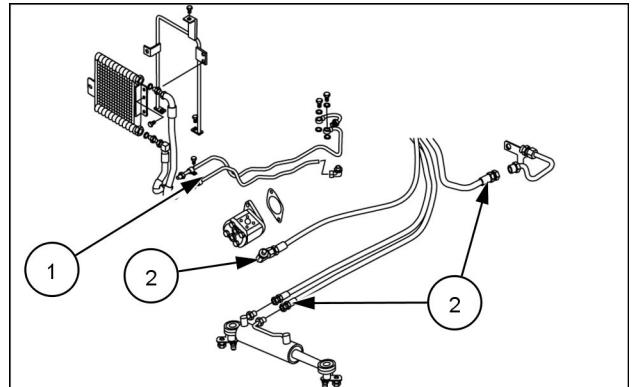
93102244 8

17. Disconnect the front high pressure tube **(1)**.



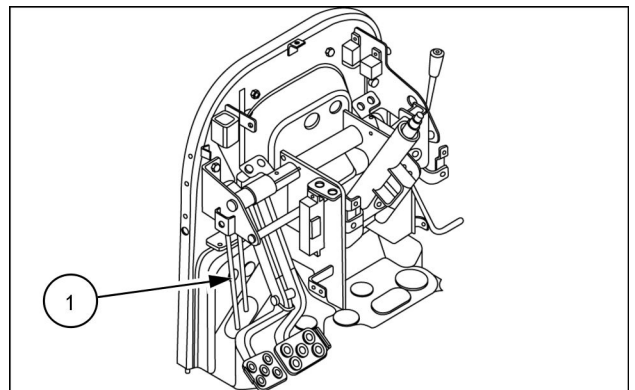
93102245 9

18. Disconnect steering hoses **(2)** and tubes **(1)**.



93102246 10

19. Disconnect brake the rod **(1)**, HST or gear transmission.



93102247 11

<https://www.ebooklibonline.com>

Hello dear friend!

Thank you very much for reading.

Enter the link into your browser.

The full manual is available for immediate download.

<https://www.ebooklibonline.com>