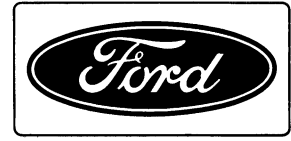


FORD



Service Manual

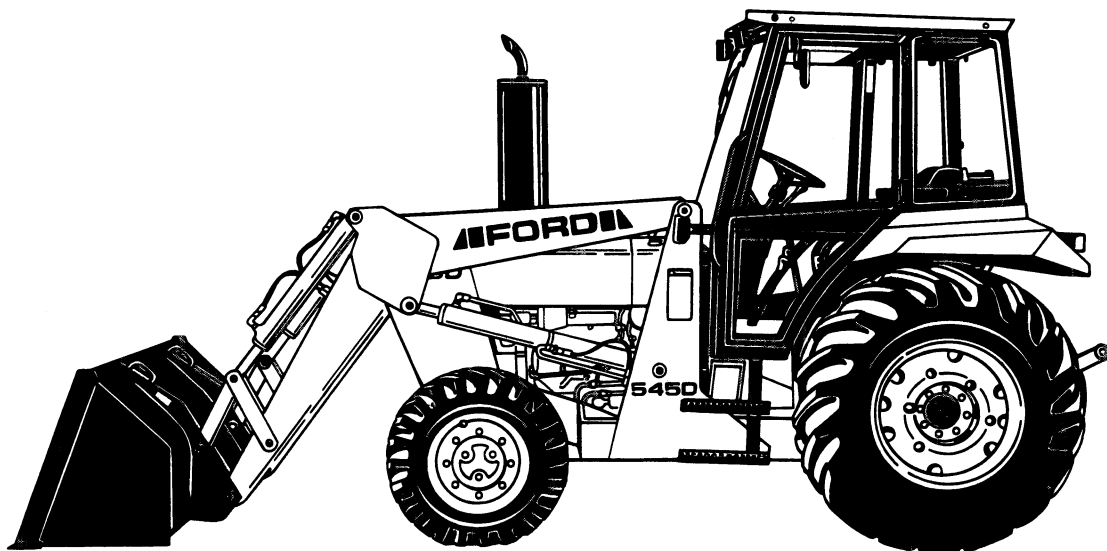
Tractor
250C, 260C

Tractor Loader
345D, 445D, 545D

Section 1 – Engine Systems
Section 2 – Fuel Systems
Section 3 – Electrical System

Vol. 1

40025050A



Reprinted

CONTENTS

VOLUME 1

Introduction	0-3
Production Date Codes	0-4
Serial Numbers	0-4
Safety	0-5
Loader Arm Support	0-9
Backhoe Safety Lock	0-10
Section 1 – Engine Systems	1-1
3-Cylinder Diesel Engine	1-1
Description and operation	1-1
Overhaul	1-6
Cooling System	1-47
Description and operation	1-47
Overhaul	1-48
Troubleshooting	1-55
Specification and Special Tools	1-60
General specifications	1-60
Special tools	1-73
Section 2 – Fuel Systems	2-1
Fuel System - General	2-1
Description and operation	2-1
Adjustments DPA distributor type fuel injection pump	2-4
Fuel tank, filters and fuel lines overhaul	2-7
Fuel Injection Pump	2-10
Description and operation	2-10
DPA fuel injection pump	2-14
European test conditions	2-16
Identification plate explanation	2-17
Testing and calibration	2-24
Injectors	2-25
Air Cleaners	2-63
Dry type air cleaner - description and operation	2-33
Dry type air cleaner canister - overhaul	2-34
Troubleshooting	2-37
Diesel engines	2-37
DPA distributor type fuel injection pumps	2-39
Fuel injectors	2-43
Specifications	2-44

<https://www.ebooklibonline.com>

Hello dear friend!

Thank you very much for reading.

Enter the link into your browser.

The full manual is available for immediate download.

<https://www.ebooklibonline.com>

Section 3 – Electrical System	3-1
Wiring, Lights, Switches and Instrumentation	3-1
Description and operation	3-1
Overhaul	3-8
Battery	3-14
Description and operation	3-14
Maintenance and tests	3-15
Starting System	3-19
Description and operation	3-19
Overhaul	3-21
Alternator and Regulator	3-26
Description and operation	3-26
Service precautions, preliminary checks, initial tests and alternator components tests	3-31
Overhaul	3-39
Troubleshooting, Specifications, Special Tools and Wiring Diagrams .	3-49
Troubleshooting	3-49
Specifications	3-54
Wiring diagrams	3-64

VOLUME 2

Section 4 – Transmission	4-1
Section 5 – Rear Axle and Brakes	5-1
Section 6 – Power Take-Off	6-1
Section 7 – Steering and Front Axle	7-1

VOLUME 3

Section 8 – Hydraulic Systems	8-1
Section 9 – Cab	9-1
Section 10 – Separating the Tractor	10-1
Section 11 – Accessories	11-1

INTRODUCTION

Appropriate service methods and proper repair procedures are essential for the safe, reliable operation of all equipment as well as the personal safety of the individual doing the work. This Service Manual provides general directions for accomplishing service and repair work with tested, effective techniques. Following them will help insure reliability.

There are numerous variations in procedures, techniques, tools, and parts for servicing equipment, as well as in the skill of the individual doing the work. This manual cannot possibly anticipate all such variations and provide advice or cautions as to each. Accordingly, anyone who departs from the instructions provided in this manual must first establish that he does not compromise his own personal safety nor the safety of others by his choice of methods or tools.

As you read through this manual, you will come across NOTES and WARNINGS. Each one is there for a specific purpose. NOTES are given to prevent you from making an error

that could damage the vehicle. WARNINGS remind you to be especially careful in those areas where carelessness can cause personal injury.

Any reference in this manual to right, left, rear, front, top or bottom is as viewed from the operator's seat looking forward towards the loader.

Ford New Holland policy is one of continuous improvement, and the right to change prices, specifications, equipment or design at any time without notice is reserved. All data in this manual is subject to production variations, so overall dimensions and weights should be considered as approximate only, and the illustrations do not necessarily depict the tractor as it is.

PRODUCTION DATE CODES AND UNIT SERIAL NUMBERS

FORD NEW HOLLAND INC.
NEW HOLLAND, PENNSYLVANIA

TRACTOR NUMBER []	 FORD NEW HOLLAND
MODEL []	
UNIT []	
ENGINE []	
TRANSMISSION []	REAR AXLE []
HYDRAULIC PUMP []	HYDRAULIC LIFT []

E8NN-9401631-DB

IND 300

FIGURE 0-1

Vehicle Identification Plate

AXLE TYPE []	SERIAL NUMBER []
REF. NUMBER []	TOTAL RATIO []
INPUT ROT. []	DIFF. TYPE []
OIL SPECIFIC []	LIT. []
	LOCATION DIFF. []
	EPIC. []

T1

FIGURE 0-2

Four Wheel Drive Front Axle Identification Plate
(Optional)

The vehicle identifications plate is located inside the right-hand hood panel. If your tractor is equipped with four wheel drive option, then a similar plate is affixed to the rear right-hand side of the front axle casing. Whenever effecting repair or overhaul of the Ford Tractor Loader, the relevant information should be noted and used when referring to service bulletins or ordering parts.

The vehicle identification plate is stamped with the following information:

Tractor Number - Serial number prefixed by the letter "A".

Model - Production model code.

Unit - Production unit date code.

Engine - Engine production date code.

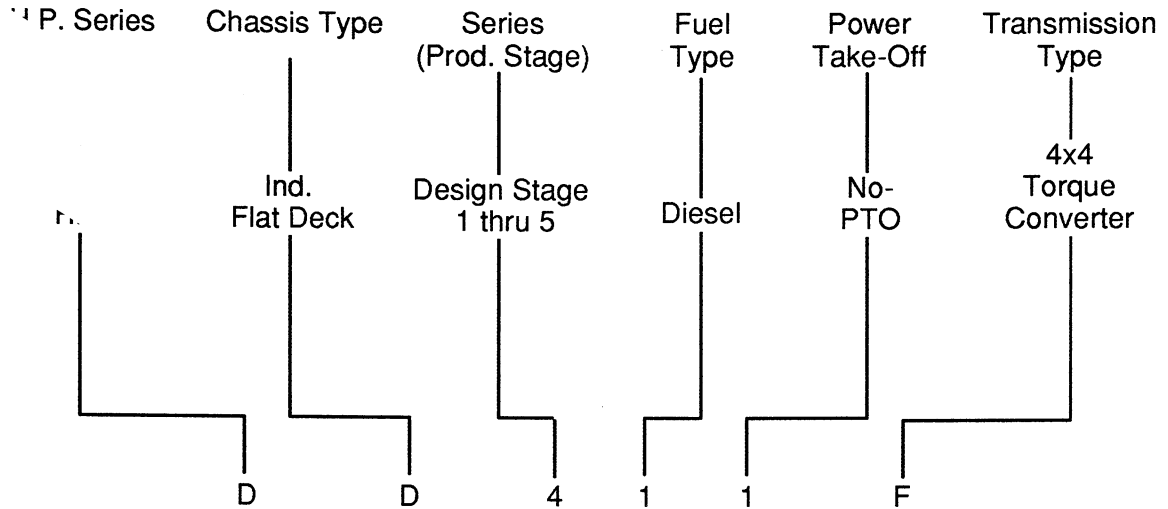
Transmission - Transmission production date code.

Rear Axle - Rear axle production date code.

Hyd. Pump - Hydraulic pump production date code.

Hyd. Life - Hydraulic power lift production date code.

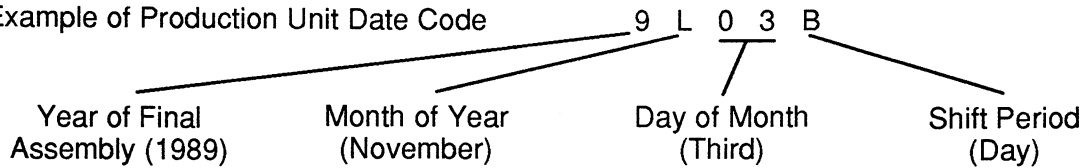
MODEL NUMBER - CODE



KEY TO PRODUCTION DATE CODES

First Number Year	First Letter Month	Second Number DAY OF MONTH	Second Letter PRODUCTION SHIFT
8 - 1988	A - Jan	01-32	A - Midnight
9 - 1989	B - Feb		B - Day
0 - 1990	C - March		C - Afternoon
1 - 1991	D - April		
2 - 1992	E - May		
3 - 1993	F - June		
4 - 1994	G - July		
	H - Aug		
	J - Sept		
	K - Oct		
	L - Nov		
	M - Dec		

Example of Production Unit Date Code



PRECAUTIONARY STATEMENTS

PERSONAL SAFETY

Throughout this manual and on machine decals, you will find precautionary statements (“CAUTION”, “WARNING”, and “DANGER”) followed by specific instructions. These precautions are intended for the personal safety of you and those working with you. Please take the time to read them.



CAUTION: THE WORD “CAUTION” IS USED WHERE A SAFE BEHAVIORAL PRACTICE ACCORDING TO OPERATING AND MAINTENANCE INSTRUCTIONS AND COMMON SAFETY PRACTICES WILL PROTECT THE OPERATOR AND OTHERS FROM ACCIDENT INVOLVEMENT.



WARNING: THE WORD “WARNING” DENOTES A POTENTIAL OR HIDDEN HAZARD WHICH HAS A POTENTIAL FOR SERIOUS INJURY. IT IS USED TO WARN OPERATORS AND OTHERS TO EXERCISE EVERY APPROPRIATE MEANS TO AVOID A SURPRISE INVOLVEMENT WITH MACHINERY.



DANGER: THE WORD “DANGER” DENOTES A FORBIDDEN PRACTICE IN CONNECTION WITH A SERIOUS HAZARD.

FAILURE TO FOLLOW THE “CAUTION”, “WARNING”, AND “DANGER” INSTRUCTIONS MAY RESULT IN SERIOUS BODILY INJURY OR DEATH.

MACHINE SAFETY

Additional precautionary statements (“ATTENTION” and “IMPORTANT”) are followed by specific instructions. These statements are intended for machine safety.

ATTENTION: The word “ATTENTION” is used to warn the operator of potential machine damage if a certain procedure is not followed.

IMPORTANT: The word “IMPORTANT” is used to inform the reader of something he needs to know to prevent minor machine damage if a certain procedure is not followed.

SAFETY PRECAUTIONS

Practically all service work involves the need to drive the tractor. The operator's manual, supplied with each tractor, contains detailed safety precautions relating to driving, operating and servicing the tractor. These precautions are as applicable to the service technician as they are to the operator, and should be read, understood and practiced by all personnel.

Prior to undertaking any maintenance, repair, overhaul, dismantling or reassembly operations, whether within a workshop facility or out in the field, consideration should be given to factors that may have an effect upon safety - not only upon the mechanic carrying out the work, but also upon bystanders.

PERSONAL CONSIDERATIONS

Clothing

The wrong clothes or carelessness in dress can cause accidents. Check to see that you are suitably clothed.

Some jobs require special protective equipment.

Eye Protection

The smallest eye injury many cause loss of vision. Wear eye protection when engaged in chiseling, grinding, discing, welding, and painting.

Breathing Protection

Fumes, dust and paint spray are unpleasant and harmful. Wear respiratory protection.

Hearing Protection

Loud noise may damage your hearing, and the greater the exposure the worse the damage. Wear ear protection.

Hand Protection

It is advisable to use a protective cream before work to prevent irritation and skin contamination. After work clean your hands with soap and water. Solvents such as mineral spirit and paraffin may harm the skin.

Foot Protection

Wear protective footwear with reinforced toe-caps to protect your feet from falling objects. Additionally oil-resistant soles will help to avoid slipping.

Special Clothing

For certain work it may be necessary to wear flame- or acid- resistant clothing.

Avoid injury through incorrect handling of components. Make sure you are capable of lifting the object. If in doubt get help.

EQUIPMENT CONSIDERATIONS

Machine Shields

Before using any machine, check to be sure that the machine shields are in position and serviceable. These shields not only prevent parts of the body or clothing from coming into contact with the moving parts of the machine, but also ward off objects that might fly off the machine and cause injury.

Lifting Appliances

Always be sure that lifting equipment, such as chains, slings, lifting brackets, hooks and eyes are thoroughly checked before use. If in doubt, select stronger equipment than is necessary.

Never stand under a suspended load or raised implement.

Compressed Air

The pressure from a compressed air line is often as high as 100 lbf/in² (6.9 bar) (7 kgf/cm²). It is safe if used correctly. Any misuse may cause injury.

Never use compressed air to blow dust or dirt away from your work area unless the correct type of nozzle is used.

Compressed air is not a cleaning agent; it will only move dust and dirt from one place to another. Look around before using an air hose as bystanders may get grit in their eyes, ears or skin.

Hand Tools

Many cuts, abrasions and injuries are caused by defective or improvised tools. Never use the wrong tool for the job, as this generally leads to some injury or to a poor job.

Never use:

A hammer with a loose head or split handle.

Spanners or wrenches with worn jaws.

Spanners or files as hammers; or drills, clevis pins, or bolts as punches.

Use a copper or brass drift, rather than a hammer, for removing or replacing hardened pins.

For dismantling, overhaul and reassembly of major and sub-components, always use the Special Service Tools recommended. These will reduce the work effort, labor time and the repair cost.

Always keep tools clean and in good working order.

Electricity

Electricity has become so familiar in day to day usage, that its potentially dangerous properties are often overlooked. Misuse of electrical equipment can endanger life.

Before using any electrical equipment - particularly portable appliances - make a visual check to be sure that the cable is not worn or frayed and that the plugs and sockets are intact. Make sure you know where the nearest disconnect switch is located for your equipment.

GENERAL CONSIDERATIONS

Solvents

Use only cleaning fluids and solvents that are known to be safe. Certain types of fluid can cause damage to components, such as seals, and can cause skin irritation. Check to be sure

that solvents are suitable not only for the cleaning of components and individual parts, but also that they do not affect the personal safety of the user.

Housekeeping

Many injuries result from tripping or slipping over, or on, objects or material left lying around by a careless worker. Prevent these accidents from occurring. If you notice a hazard, don't ignore it - remove it.

A clean, hazard-free place of work improves the surroundings and daily environment for everybody.

Fire

Fire has no respect for persons or property. The destruction that a fire can cause is not always fully realized. Everyone must be constantly on guard.

- Extinguish matches, cigars, and cigarettes before throwing them away.
- Work cleanly, disposing of waste material into proper containers.
- Locate the fire extinguishers and find out how to operate them.
- Do not allow or use an open flame near the tractor fuel tank, battery or component parts.

First Aid

In the type of work that mechanics are engaged in, dirt, grease, and fine dusts all settle upon the skin and clothing. What appears at first to be trivial could become painful and injurious. It only takes a few minutes to have a fresh cut dressed, but it will take longer if you neglect it. Make sure you know where the First Aid box is located.

Cleanliness

Cleanliness of the tractor hydraulic system is essential for optimum performance. When carrying out service and repairs, plug all hose ends and component connections to prevent dirt entry.

Clean the exterior of all components before carrying out any form of repair. Dirt and abrasive dust can reduce the efficiency and working life of a component and lead to costly replacement. Use of a high pressure washer or steam cleaner is recommended.

OPERATIONAL CONSIDERATIONS

Stop the engine, if at all possible, before performing any service.

Place a warning sign on units which, due to service or overhaul, would be dangerous to start. Disconnect the battery leads if leaving such a unit unattended.

Do not attempt to start the engine while standing beside the unit or attempt to bypass the safety start switch.

Avoid prolonged running of the engine in a closed building or in an area with inadequate ventilation as exhaust fumes are highly toxic.

Always turn the radiator cap to the first stop, to allow pressure in the system to dissipate when the coolant is hot.

Never work beneath a tractor which is on soft ground. Always take the unit to an area which has a hard working surface.

If it is necessary to raise the tractor for ease of servicing or repair, be sure that safe and stable supports are installed, beneath axle housings, casings, etc., before beginning.

Certain repair or overhaul procedures may necessitate separating the tractor, either at the engine/front transmission or front transmission/rear transmission locations. These operations are simplified by the use of the tractor splitting kit/stands. Should this

equipment not be available, then every consideration must be given to stability balance and weight of the components, especially if a cab is installed.

Use footsteps or working platforms when servicing those areas of a tractor that are not within easy reach.

Before loosening any hoses or tubes connecting implements to remote control valves, etc., switch off the engine, remove all pressure in the lines by operating levers several times. This will remove the danger of personal injury by oil pressure.

Prior to pressure testing, be sure that all hoses and connectors, not only of the tractor, but also those of the test equipment are in good condition and tightly secured. Pressure readings must be taken with the gauges specified. The correct procedure should be rigidly observed to prevent damage to the system or the equipment, and to eliminate the possibility of personal injury.

When equipment or implements are required to be attached to the hydraulic linkage, either for testing purposes or for transportation, then "position control" should be used.

Always lower the loader and backhoe buckets to the ground or engage the safety locks before leaving the tractor.

If high lift attachments are mounted to a unit, beware of overhead power, electric or telephone cables when traveling. Keep the attachment near to ground level to increase stability.

Do not park or attempt to service a unit on an incline. If unavoidable, take extra care and block all wheels.

Prior to removing wheels and tires from a unit, check to determine whether additional ballast (liquid or weights) has been added. Seek assistance and use suitable equipment to support the weight of the wheel assembly.

When inflating tires, beware of over inflation - constantly check the pressure. Over inflation can cause tires to burst and result in personal injury.

Safety precautions are usually the result of a sad experience, where most likely someone has paid dearly through personal injury.

Observe these precautions and you will protect yourself accordingly. Disregard them and you may duplicate the sad experience of others.

Safety is everybody's responsibility.

SERVICE TECHNIQUES

Clean the exterior of all components before carrying out any form of repair. Dirt and abrasive dust can reduce the efficient working life of a component and lead to costly replacement.

Time spent on the preparation and cleanliness of working surfaces will pay dividends in making the job easier and safer and will result in overhauled components being more reliable and efficient in operation.

Use cleaning fluids which are known to be safe. Certain types of fluid can cause damage to O rings and cause skin irritation. Solvents should be checked that they are suitable for the cleaning of components and also that they do not risk the personal safety of the user.

Replace O rings, seals or gaskets whenever they are disturbed. Never mix new and old seals or O rings, regardless of condition. Always lubricate new seals and O rings with hydraulic oil before installation.

When replacing component parts use the correct tool for the job.

Hoses and Tubes

Always replace hoses and tubes if the cone end or the end connections are damaged.

When installing a new hose, loosely connect each end and make sure the hose takes up the designed position before tightening the connection. Clamps should be tightened sufficiently to hold the hose without crushing and to prevent chafing.

The hoses are the arteries of the unit; be sure they are in good condition when carrying out repairs or maintenance, otherwise the machine's output and productivity will be affected.

After hose replacement to a moving component, check the hose does not foul by moving the component through the complete range of travel.

Be sure any hose which has been installed is not kinked or twisted.

Hose connections which are damaged, dented, crushed or leaking, restrict oil flow and the productivity of the components being served. Connectors which show signs of movement from the original swaged position have failed, and will ultimately separate completely.

A hose with a chafed outer cover will allow water entry. Concealed corrosion of the wire reinforcement will subsequently occur along the hose length with resultant hose failure.

Ballooning of the hose indicates an internal leakage due to structural failure. This condition rapidly deteriorates and total hose failure soon occurs.

Kinked, crushed, stretched or deformed hoses generally suffer internal structural damage which can result in oil restriction, a reduction in the speed of operation and ultimate hose failure.

Free-moving, unsupported hoses must never be allowed to touch each other or related working surfaces. This causes chafing which reduces hose life.

SECTION 1

ENGINE SYSTEMS

3-CYLINDER DIESEL ENGINE

DESCRIPTION AND OPERATION

This Section describes the overhaul and repair of the 3-cylinder direct injection diesel engine.

The engine, Figure 1-1, features a cross flow cylinder head with the inlet and exhaust manifolds on opposite sides of the head. The combustion chamber is formed in the crown of the piston which has three compression and one oil control ring all located above the piston pin with the exception of the Models 260C and 545D, which has two compression and one oil control ring.

The cylinder head assembly incorporates the valves, valve springs and the spring retainers. Valve guides are an integral part of the cylinder head with replaceable valve seats pressed into the valve ports.

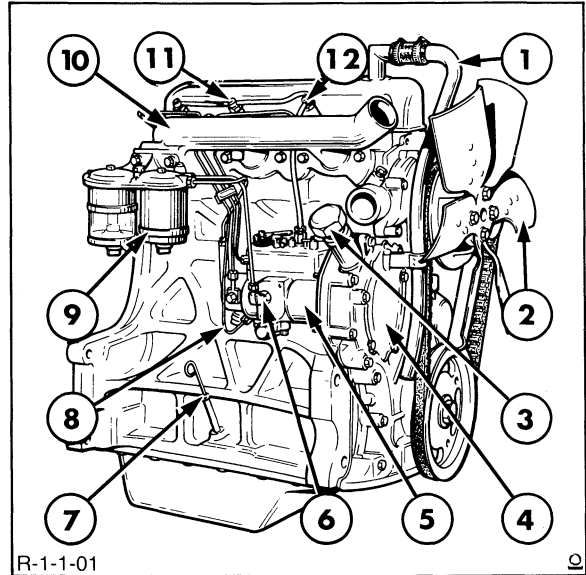


FIGURE 1-1

3-Cylinder Diesel Engine With DPA Distributor Type Fuel Injection Pump

- | | |
|---------------------------|---------------------------|
| 1 Ventilation tube | 7 High pressure fuel pipe |
| 2 Fan | 8 Starter motor |
| 3 Oil filler cap | 9 Fuel filters |
| 4 Timing cover | 10 Inlet manifold |
| 5 Injection pump | 11 Rocker cover |
| 6 Low pressure fuel inlet | 12 Injector |

GENERAL SPECIFICATIONS

The following chart shows the 3-cylinder diesel engine options available.

Model	250C, 345D	445D	260C, 545D
No. of Cylinders	3	3	3
Bore	4.4" (111.8 mm)	4.4" (111.8 mm)	4.4" (111.8 mm)
Stroke	4.4" (106.7 mm)	4.4" (10.67 mm)	4.4" (111.8 mm)
Displacement	201 in ³ (3247 cm ³)	201 in ³ (3247 cm ³)	201 in ³ (3247 cm ³)*

*The 260C and 545D uses the headland piston

Cylinder Head Assembly

The cylinder head assembly incorporates the valves, valve springs, and rotators. The valve rocker arm shaft assembly is bolted to the cylinder block, through the head. The intake and exhaust manifolds are bolted to the head, the intake on the right hand side, and the exhaust on the left. The water outlet connection and thermostat are attached to the front of the cylinder head.

Valve guides are integral with the cylinder head, and valves with oversize stems are available for service. Special replaceable cast alloy valve seats are pressed into each valve port, and exhaust valves are fitted with positive valve rotators. Intake valves use umbrella-type seals, while the exhaust valves use a square section O ring.

Valve lash is maintained by self-locking adjusting screws. The camshaft runs in four replaceable bearings, and is driven by the camshaft drive gear in mesh with the camshaft and crankshaft gears. Camshaft thrust is controlled by a plate secured to the block and located between the camshaft gear and the front journal of the camshaft. A helical gear mounted on the rear of the camshaft drives the tractor hydraulic system pump, optional on some tractor models.

The cylinder head bolts are evenly spaced in a six-point pattern around each cylinder. Diesel engine injectors are mounted outside the rocker cover.

The engine cylinder head is designed with the entire face of the cylinder head flat. The combustion chambers are recessed into the piston crowns.

Crankshaft Assembly

The crankshaft is supported in the cylinder block by four main bearings and the crankshaft end thrust is suppressed by a thrust bearing located on the second main bearing.

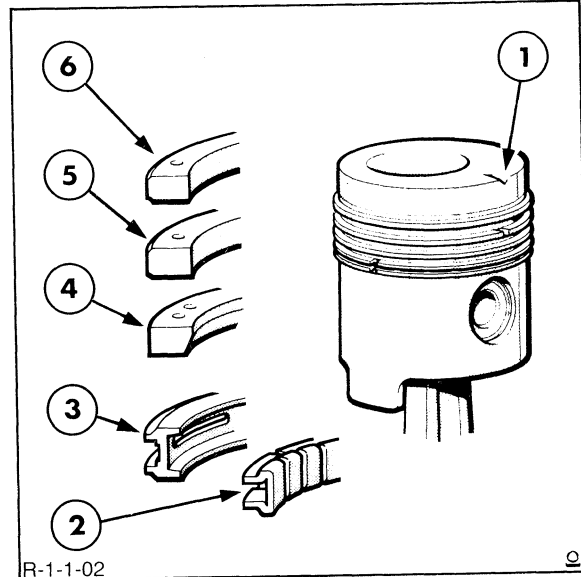


FIGURE 1-2

Conventional Piston And Rings

- 1 Notch to front of engine
- 2 Expanded for oil control ring
- 3 Oil control ring
- 4 1st Compression ring
- 5 2nd Compression ring
- 6 Top compression ring

The piston is connected to the crankshaft by a heavy I-beam connecting rod. The crankshaft end of the connecting rod has an insert-type copper lead or aluminum tin alloy bearing. The piston end of the connecting rod has a replaceable bronze bushing. The piston pin is a free-floating steel pin held in place in the piston by two snap rings.

Front and rear crankshaft oil sealing is effected by one piece, single lip-type seals.

Pistons

Pistons are an aluminum alloy with combustion chambers recessed into the piston crowns. Each piston, Figure 1-2, has three compression rings and one oil control ring, all of which are located above the piston pin.

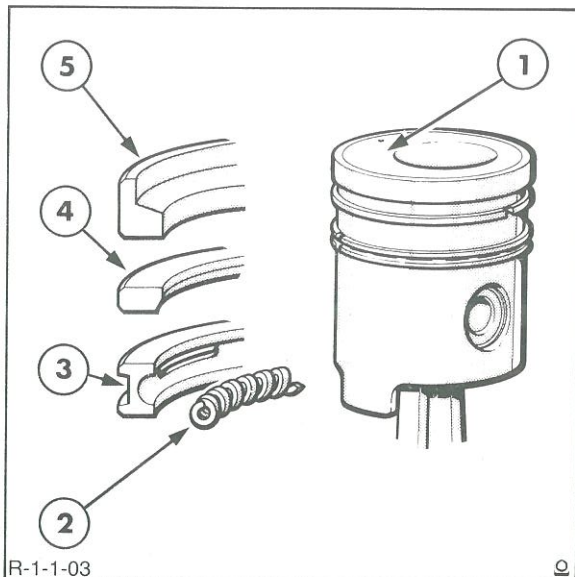


FIGURE 1-3

Headland Piston And Rings

- 1 Dimple to front of engine
- 2 Expanded for oil control ring
- 3 Oil control ring
- 4 1st Compression ring
- 5 Top compression ring

An exception to the above is the Models 260C and 545D engine which utilizes an autothermic 3-4 ring headland piston, Figure 1-3. These pistons have steel inserts cast into the thrust faces of the piston skirt which control the expansion of the piston. In addition, the piston features an L-shaped head-land ring which eliminates the dead volume which normally exists between the head-land of the piston and the cylinder wall, and a top ring insert which is mechanically locked to the piston crown.

Connecting Rods

The piston connecting rods are of "1" section, with replaceable bronze piston pin bushings. Full-floating piston pins are retained by two snap rings in each piston.

Manifolds

The cast iron intake and exhaust manifolds are on opposite sides of the cylinder head for better heat distribution in the head, and less heat transfer to the intake manifold. All tractors are fitted with vertical exhaust systems.

The intake manifolds are connected through tubing to the air cleaner. The diesel engine intake manifold is provided with a tapped hole for installation of a thermostart or an ether cold starting aid kit.

IMPORTANT: On tractors where cold start equipment is not installed, the plug in the manifold should remain securely installed at all times, since considerable damage to the cylinder bores could result from its absence. The cylinder bores can also be damaged by grit and other foreign matter passing through the air cleaner hose connections if they are not properly secured.

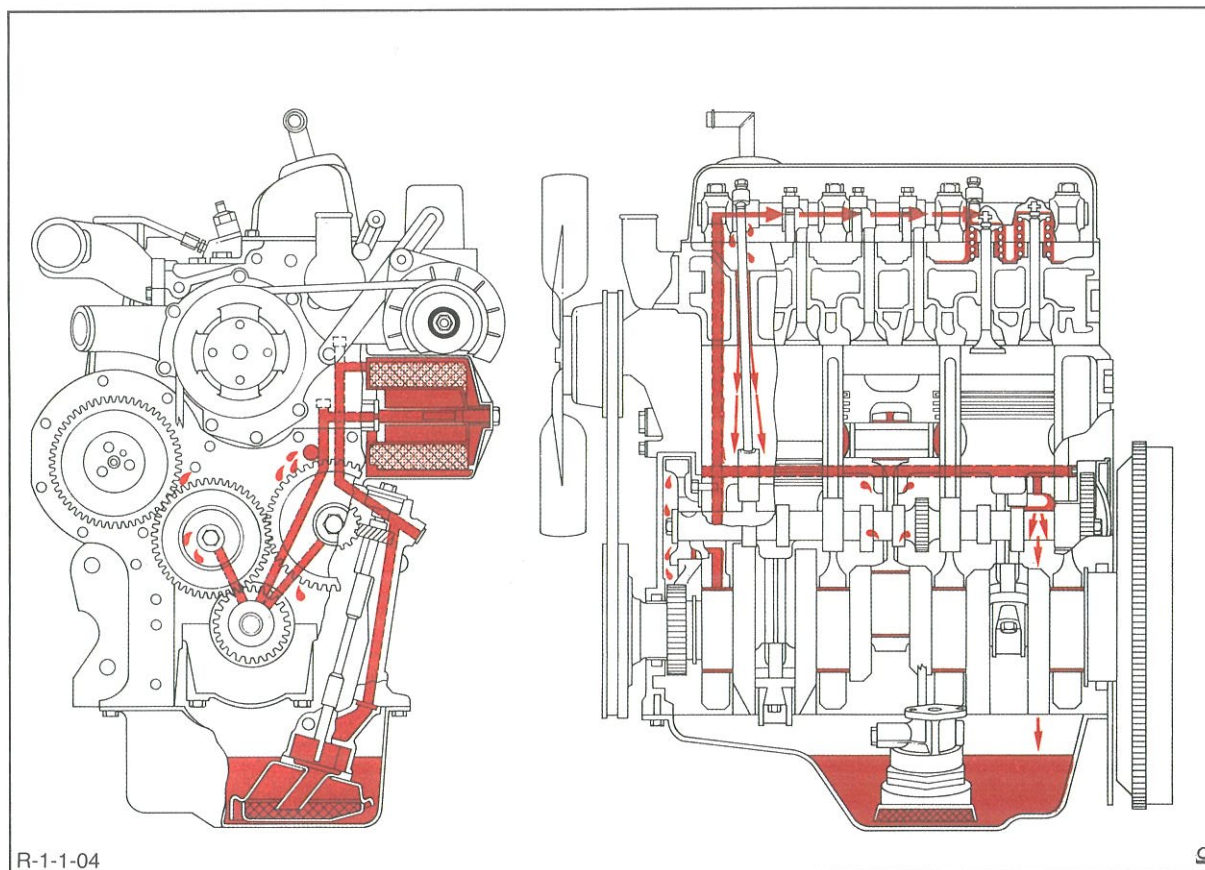
Cylinder Block Assembly

The cylinder block is alloy cast iron with heavy webbing and deep cylinder skirts. The block features full length water jackets for cooling the cylinders, which are bored integral with the block. Cylinders are in-line and vertical, and numbered from 1 to 3, front to rear.

The oil pan is attached to the bottom of the cylinder block and is the sump for the lubrication system. The engine front cover is attached to the front engine adapter plate forming a cover for the timing gears.

The crankshaft gear is keyed and press fitted on the front of the crankshaft. The crankshaft gear-drives the camshaft idler gear, which is attached to the front of the cylinder block. The idler gear drives the camshaft gear and the injection pump drive gear.

The camshaft gear, attached to the front of the camshaft by a bolt, lock washer, flat washer and a spacer, is keyed to maintain the position of the gear and the drive shaft. All the timing gears can be checked by observing the timing punch marks on the gears.



R-1-1-04

9

FIGURE 1-4

3-Cylinder Engine Lubrication System

LUBRICATION SYSTEM

Lubrication of the engine is maintained by a rotor type oil pump mounted at the base of the engine block. The oil pump is driven from the camshaft and draws oil from the engine sump through a wire mesh screen.

A spring-loaded relief valve in the pump body limits the pressure in the system by directing excess oil back to the intake side of the pump.

Oil passes from the pump to an external, throw-away, spin-on type filter incorporating a relief valve which permits oil to be bypassed, if filter blockage occurs, and so ensures engine lubrication at all times.

Oil flows from the filter to the main oil gallery which runs the length of the cylinder block and intersects the camshaft follower chambers.



Suggest:

If the above button click is invalid.

Please download this document

first, and then click the above link

to download the complete manual.

Thank you so much for reading

SECTION 1 – ENGINE SYSTEMS

The main gallery also supplies oil to the crankshaft main bearings and to the connecting rod journals via drillings in the crankshaft. Drilled passages from each main bearing direct oil to the camshaft bearings.

The camshaft drive gear bushing is pressure lubricated through a drilled passage from the front main bearing. The gear has small oil passages machined on both sides which allow the oil to escape.

The timing gears are lubricated by oil from the cam follower chamber and the pressure lubricated camshaft drive gear bushing.

Cylinder walls, piston and piston pins are splash lubricated by the connecting rods and rotating crankshaft.

An intermittent flow of oil is directed to the valve rocker arm shaft assembly via a drilled passage in the cylinder block located vertically above No. 1 camshaft bearing. This drilling aligns with a corresponding hole in the cylinder head.

As the camshaft turns, holes in the camshaft and camshaft bearing align and a regulated stream of oil is directed to the cylinder head and on up the rocker arm shaft support bolt to the rocker shaft.

The oil flows from the shaft through drilled holes in each rocker arm bushing to lubricate both ends of the arms. Excess oil flows down the push rods and assists in lubricating the cam followers before draining back into the sump through cored openings in the block.

<https://www.ebooklibonline.com>

Hello dear friend!

Thank you very much for reading.

Enter the link into your browser.

The full manual is available for immediate download.

<https://www.ebooklibonline.com>