

**JX35T**  
**JX40T**  
**JX45T**  
Tractor

**SERVICE MANUAL**

Part number 47899739

English

September 2015

© 2015 New Holland Fiat (India) Pvt.Ltd. All Rights Reserved.





## **SERVICE MANUAL**

**JX35T 2WD TREM-3A , JX35T 4WD TREM-3A , JX40T 2WD TREM-3A , JX40T  
2WD Tractor , JX40T 4WD TREM-3A , JX45T 2 WD tractor , JX45T 2WD  
TREM-3A , JX45T 4WD TREM-3A**

# Contents

---

## INTRODUCTION

Engine.....	10
[10.001] Engine and crankcase .....	10.1
[10.102] Pan and covers .....	10.2
[10.106] Valve drive and gears .....	10.3
[10.101] Cylinder heads .....	10.4
[10.105] Connecting rods and pistons.....	10.5
[10.103] Crankshaft and flywheel.....	10.6
[10.206] Fuel filters .....	10.7
[10.218] Fuel injection system.....	10.8
[10.202] Air cleaners and lines .....	10.9
[10.400] Engine cooling system .....	10.10
[10.304] Engine lubrication system.....	10.11
Clutch .....	18
[18.110] Clutch and components .....	18.1
Transmission.....	21
[21.114] Mechanical transmission .....	21.1
[21.112] Power shuttle transmission.....	21.2
[21.154] Power shuttle transmission internal components .....	21.3
[21.126] Gearbox external controls.....	21.4
[21.145] Gearbox internal components.....	21.5
Front axle system .....	25
[25.100] Powered front axle .....	25.1
[25.400] Non-powered front axle .....	25.2
[25.102] Front bevel gear set and differential .....	25.3
[25.108] Final drive hub, steering knuckles, and shafts .....	25.4

**<https://www.ebooklibonline.com>**

Hello dear friend!

Thank you very much for reading.

Enter the link into your browser.

The full manual is available for immediate download.

**<https://www.ebooklibonline.com>**

<b>Rear axle system</b> .....	<b>27</b>
[27.100] Powered rear axle.....	27.1
[27.106] Rear bevel gear set and differential.....	27.2
[27.120] Planetary and final drives.....	27.3
<b>Power Take-Off (PTO)</b> .....	<b>31</b>
[31.101] Rear mechanical control.....	31.1
[31.110] One-speed rear Power Take-Off (PTO).....	31.2
[31.114] Two-speed rear Power Take-Off (PTO).....	31.3
<b>Brakes and controls</b> .....	<b>33</b>
[33.120] Mechanical service brakes.....	33.1
<b>Hydraulic systems</b> .....	<b>35</b>
[35.000] Hydraulic systems.....	35.1
[35.104] Fixed displacement pump.....	35.2
[35.100] Main lift system.....	35.3
<b>Steering</b> .....	<b>41</b>
[41.101] Steering control.....	41.1
[41.200] Hydraulic control components.....	41.2
[41.216] Cylinders.....	41.3
<b>Wheels</b> .....	<b>44</b>
[44.511] Front wheels.....	44.1
<b>Electrical systems</b> .....	<b>55</b>
[55.000] Electrical system.....	55.1
[55.100] Harnesses and connectors.....	55.2
[55.201] Engine starting system.....	55.3
[55.301] Alternator.....	55.4
[55.302] Battery.....	55.5
[55.024] Transmission control system.....	55.6
[55.404] External lighting.....	55.7

[55.408] Warning indicators, alarms, and instruments ..... 55.8



# INTRODUCTION

## **Foreword**

### **Important notice**

All maintenance and repair operations described in this manual should be carried out exclusively by CASE IH authorised workshops. All instructions should be carefully observed and special equipment where indicated should be used.

Anyone who carries out service operations described without carefully observing these prescriptions will be directly responsible for any damage caused.

### **Notes for equipment**

Equipment which CASE IH proposes and shows in this manual is:

- Studied and designed expressly for use on CASE IH tractors.
- Necessary to make reliable repair.
- Accurately built and strictly tested to offer efficient and long-lasting working life.

### **Notice**

The words "front", "rear", "right-hand side" and "left-hand side" refer to the different parts as seen from the operator's seat oriented to the normal direction of movement of the tractor.

## Safety rules



This warning symbol points out important messages involving personal safety. Carefully read the safety rules contained herein and follow advised precautions to avoid potential hazards and safeguarded your safety.

In this manual you will find this symbol together with the following keywords.

**WARNING:** It gives warning about improper repair operations and potential consequences affecting the service technician's personal safety.

**DANGER:** It gives specific warning about potential dangers for personal safety of the operator or other persons directly or indirectly involved in the operation.

### To prevent accidents

Most accidents and personal injuries taking place in workshops are due from non-observance of some essential rules and safety precautions.

The possibility that an accident might occur with any type of machines should not be disregarded, no matter how well the machine in question was designed and built.

A wise and careful service technician is the best precautions against accidents.  
Careful observance of this only basic precaution would be enough to avoid many severe accidents.



Never carry out any cleaning, lubrication or maintenance operations when the engine is running.

---

## Safety rules

### Generalities

Carefully follow specified repair and maintenance procedures.

- Do not wear rings, wrist watches, jewels, unbuttoned or flapping clothing such as ties, torn clothes, scarves, open jackets or shirts with open zips which could get caught in moving parts. Use approved safety clothing such as anti-slipping footwear, gloves, safety goggles, helmets, etc.
- Wear safety glasses with side guards when cleaning parts using compressed air.
- Damaged or frayed wires and chains are unreliable. Do not use them for lifting or towing.
- Wear suitable protection such as approved eye protection, helmets, special clothing, gloves and footwear whenever welding. All persons standing in vicinity of the welding process should wear approved eye protection. Never look at the welding arc if your eyes are not suitably protected.
- Never carry out any repair on the machine if someone is sitting on the operator's seat, except they are qualified operators assisting in the operation to be carried out.
- Never operate the machine or use attachments from a place other than sitting at the operator's seat or at the side of the machine when operating the fender switches.
- Never carry out any operation on the machine when the engine is running, except when specifically indicated. Stop the engine and ensure that all pressure is relieved from hydraulic circuits before removing caps, covers, valves, etc.
- All repair and maintenance operations should be carried out with greatest care and attention.
- Disconnect the batteries and label all controls to warn that the tractor is being serviced. Block the machine and all equipment which should be raised.
- Never check or fill fuel tanks or batteries, nor use starting liquid if you are smoking or near open flames as such fluids are flammable.
- The fuel filling gun should always remain in contact with filler neck. Maintain this contact until the fuel stops flowing into the tank to avoid possible sparks due to static electricity build-up.
- To transfer a failed tractor, use a trailer or a low loading platform trolley if available.
- To load and unload the machine from the transportation means, select a flat area providing a firm support to the trailer or truck wheels. Firmly tie the machine to the truck or the trailer platform and block wheels as required by the transporter.
- Always use lifting equipment of appropriate capacity to lift or move heavy components.
- Chains should always be safely fastened. Ensure that fastening device is strong enough to hold the load foreseen. No persons should stand near the fastening point.
- The working area should be always kept clean and dry. Immediately clean any spillage of water or oil.
- Never use gasoline, diesel oil or other flammable liquids as cleaning agents. Use non-flammable non-toxic proprietary solvents.
- Do not pile up grease or oil soaked rags, as they constitute a great fire hazard. Always place them into a metal container.

### Start up

- Never run the engine in confined spaces which are not equipped with adequate ventilation for exhaust gas extraction.
- Never bring your body, arms, legs, feet, hands, fingers near fans or rotating belts.

### Engine

- Always loosen the radiator cap very slowly before removing it to allow pressure in the system to dissipate. Coolant should be topped up only when the engine is stopped.
- Do not fill up fuel tank when the engine is running.
- Never adjust the fuel injection pump when the tractor is moving. Never lubricate the tractor when the engine is running.

### **Electrical systems**

- If it is necessary to use auxiliary batteries, cables must be connected at both sides as follows. (+) to (+) and (-) to (-). Avoid short-circuiting the terminals. Gas released from batteries is highly flammable. During charging, leave the battery compartment uncovered to improve ventilation. Avoid sparks or flames near the battery area. Do not smoke.
- Do not charge batteries in confined spaces.
- Always disconnect the batteries before performing any type of service on the electrical system.

### **Hydraulic systems**

- Some fluid coming out from a very small port can be almost invisible and be strong enough to penetrate skin. For this reason, Never use your hands to check for leaks, but use a piece of cardboard or a piece of wood for this purpose. If any fluid is injected into the skin, seek medical aid immediately. Lack of immediate medical attention may result in serious infections or dermatitis.
- Always take system pressure readings using the appropriate gauges.

### **Wheels and tires**

- Check that the tires are correctly inflated at the pressure specified by the manufacturer. Periodically check for possible damage to the rims and tires.
- Stay a the tire side when inflating.
- Check the pressure only when the tractor is unloaded and tires are cold to avoid wrong reading due to over- pressure.
- Never cut, nor weld a rim with the inflated tire assembled.
- To remove the wheels, block both front and rear tractor wheels. Raise the tractor and install safe and stable supports under the tractor in accordance with the regulations in force.
- Deflate the tire before removing any object caught into the tire tread.
- Never inflate tires using flammable gases as they may originate explosions and cause injuries to bystanders.

### **Removal and installation**

- Lift and handle all heavy components using lifting equipment of adequate capacity. Ensure that parts are supported by appropriate slings and hooks. Use lifting eyes provided to this purpose. Take care of the persons near the loads to be lifted.



## **SERVICE MANUAL**

### **Engine**

**JX35T 2WD TREM-3A , JX35T 4WD TREM-3A , JX40T 2WD TREM-3A , JX40T  
2WD Tractor , JX40T 4WD TREM-3A , JX45T 2 WD tractor , JX45T 2WD  
TREM-3A , JX45T 4WD TREM-3A**

## Engine - Remove

### **⚠ WARNING**

**Avoid injury!**

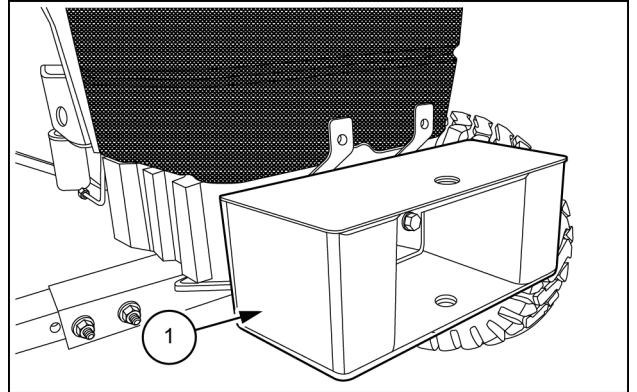
**Handle all parts carefully. Do not place your hands or fingers between parts. Use Personal Protective Equipment (PPE) as indicated in this manual, including protective goggles, gloves, and safety footwear.**

**Failure to comply could result in death or serious injury.**

W0208A

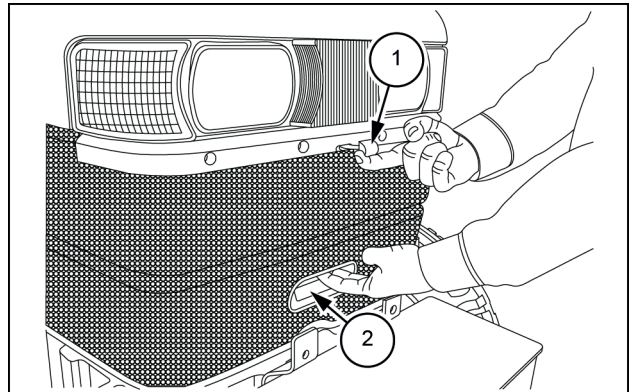
### Separating engine from centre housing

1. Remove the front weight carrier (1).



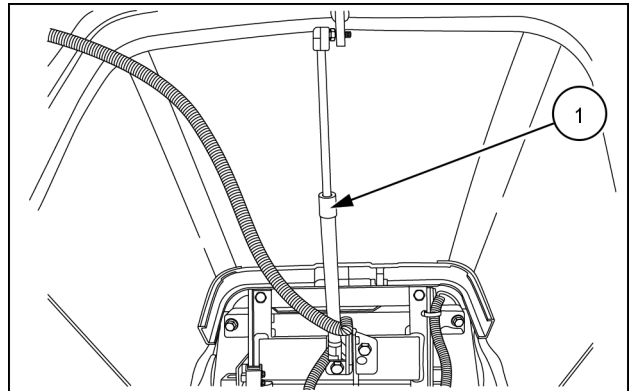
GNIL14TR04757AB 1

2. Slide the lock (1) to right, hold and lift the handle (2) to raise hood.



GNIL14TR04758AB 2

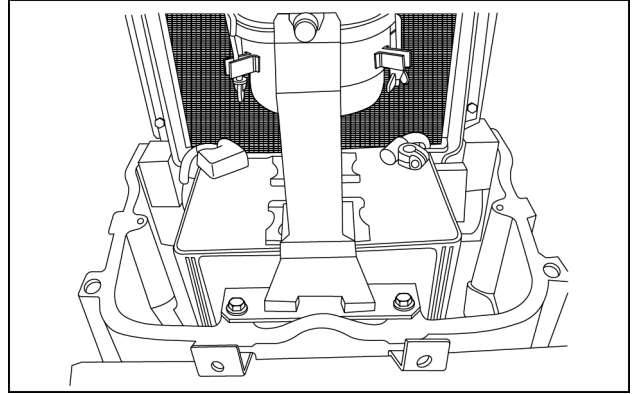
3. To maintain the hood in raised position a gas strut (1) is provided underside hood.



GNIL14TR04759AA 3

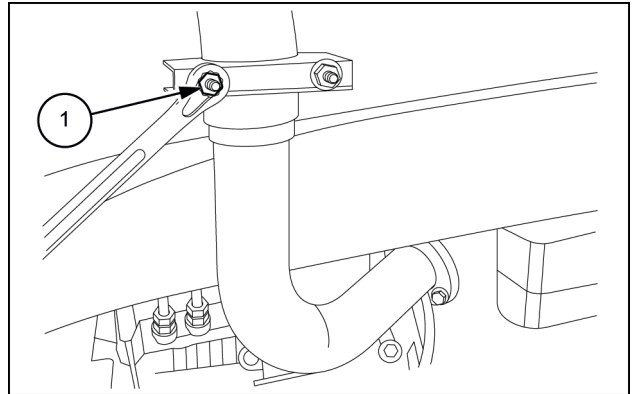
4. Disconnect battery terminals.

**NOTE:** Always disconnect the negative cable (1) first.



GNIL14TR04760AA 4

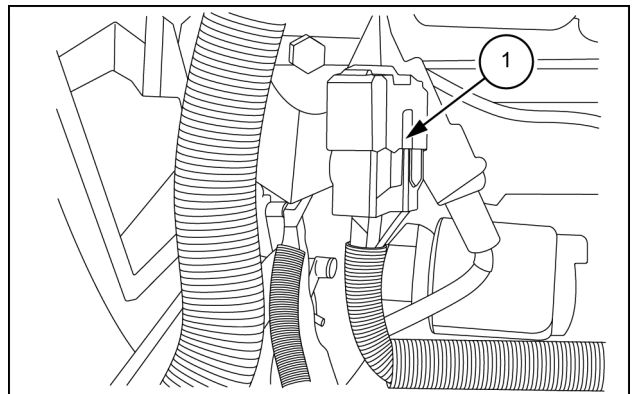
5. Loosen the silencer mounting clamp bolts (1) and remove the silencer assembly.



GNIL14TR04761AB 5

6. Remove the electrical couplers (1) for rear lamps, flasher unit, fuse box etc.

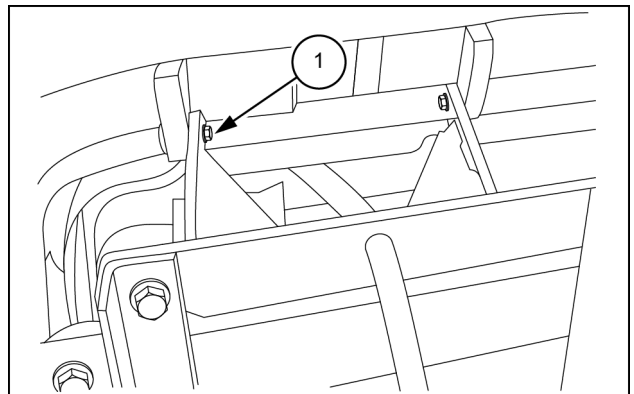
7. Remove fuse box.



GNIL14TR04762AB 6

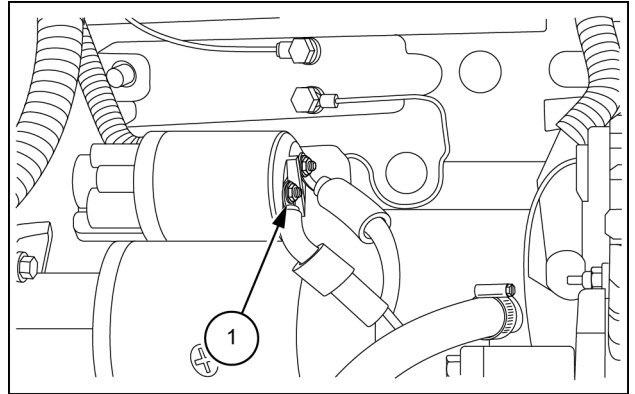
8. Unscrew hood mounting bracket bolts from engine frame.

9. Unscrew gas strut bolts and remove the front hood.



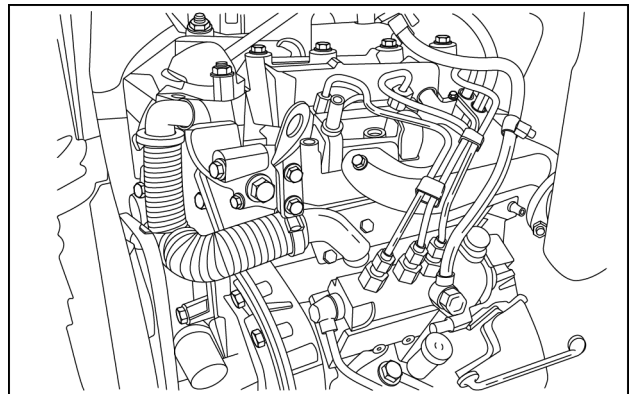
GNIL14TR04763AB 7

10. Disconnect electric connections (1) to starter motor.



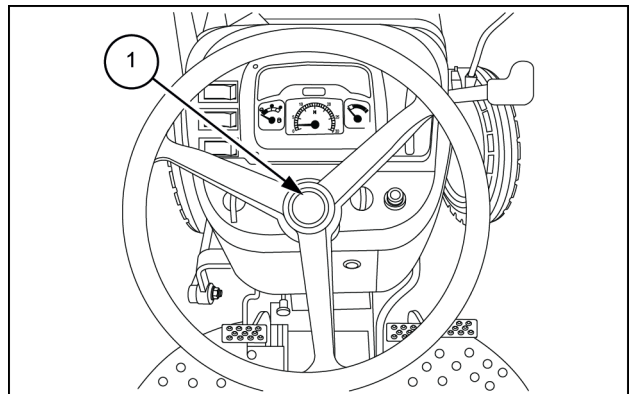
GNIL14TR04764AB 8

11. Disconnect hand throttle cable fuel shut-off cable fuel line and overflow lines and remove fuel tap bracket bolts.



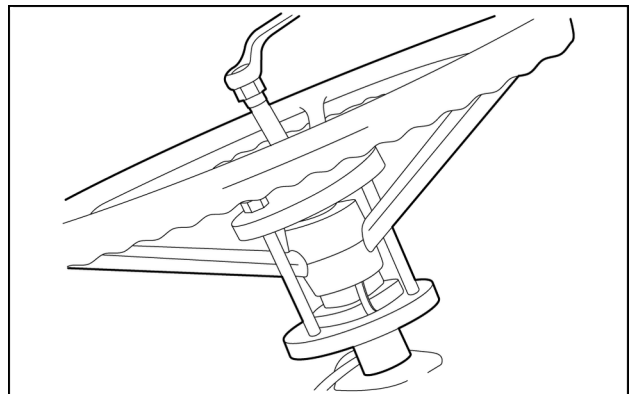
GNIL14TR04765AA 9

12. Remove the steering wheel cover.



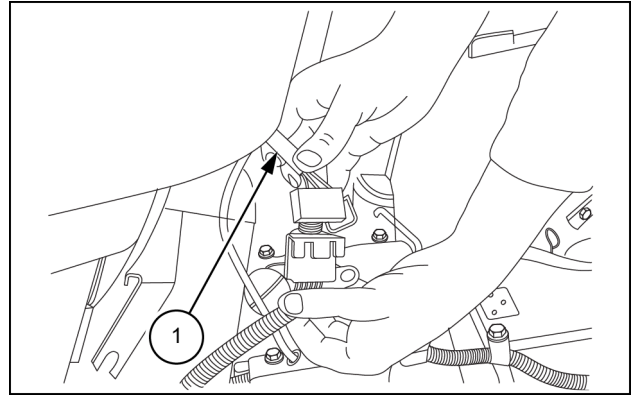
GNIL14TR04766AB 10

13. Loosen the steering wheel securing nut and remove the steering wheel using tool number 82834312 and 9971375.



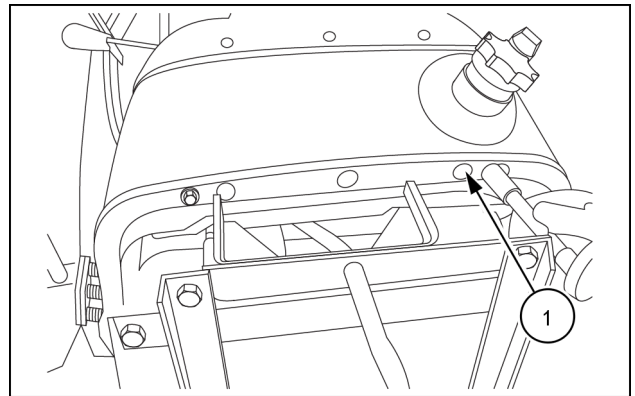
GNIL14TR04766AA 11

14. Disconnect the wiring connection **(1)**.



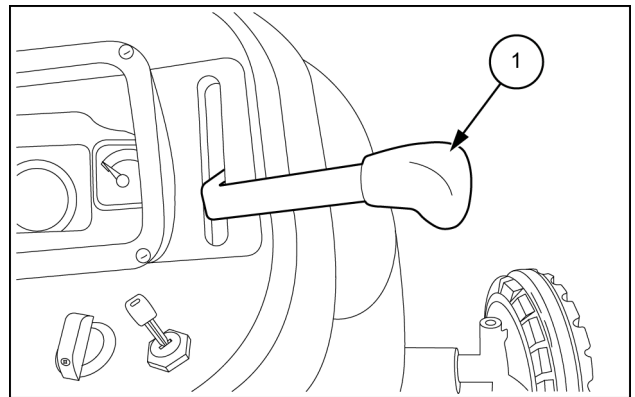
GNIL14TR04768AB 12

15. Unscrew the rear bolts **(1)** and remove cover strip.



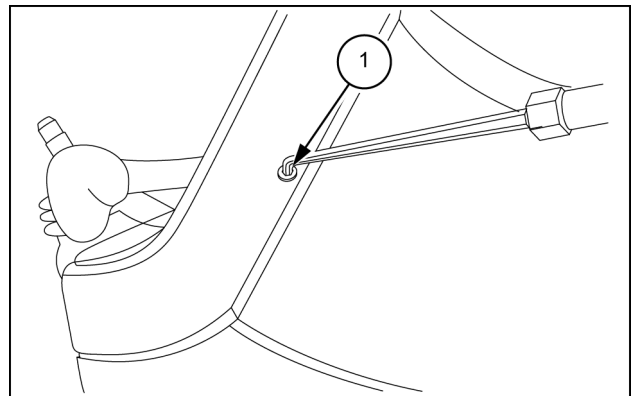
GNIL14TR04769AA 13

16. Remove the accelerator knob **(1)**.



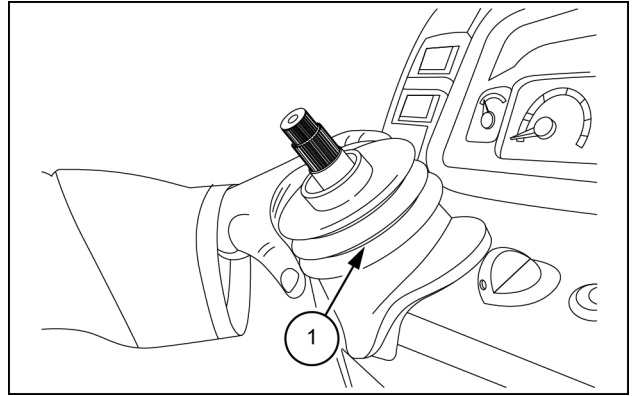
GNIL14TR04770AB 14

17. Unscrew all the screws **(1)** of instrument panel.



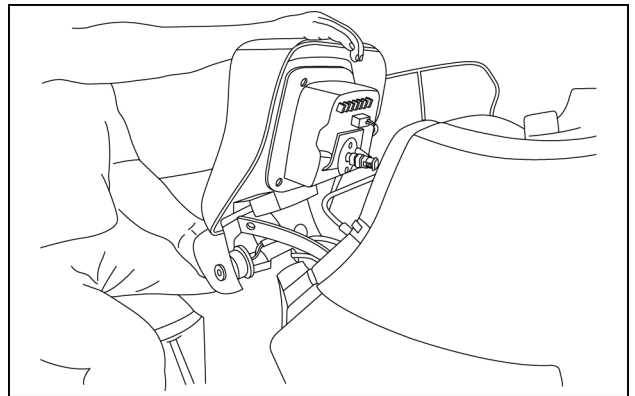
GNIL14TR04771AB 15

18. Remove the steering boot (1).



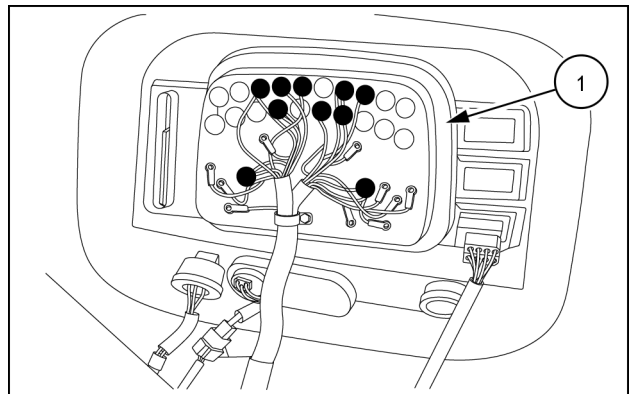
GNIL14TR04772AB 16

19. Pull out the instrument panel from rear hood.



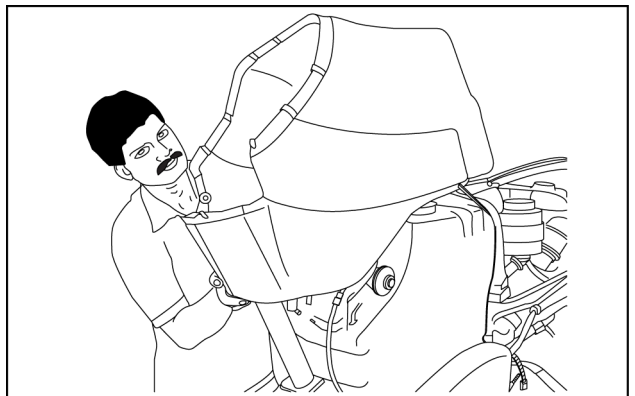
GNIL14TR04773AA 17

20. Disconnect all electric wire connections of the switches and hourmeter cable from instrument cluster. Also remove fuel tank cap.



GNIL14TR04774AB 18

21. Remove pull to stop knob and then centre panel. Unscrew all rear hood securing bolts lift and remove rear hood.



GNIL14TR04775AB 19



**Suggest:**

**If the above button click is invalid.**

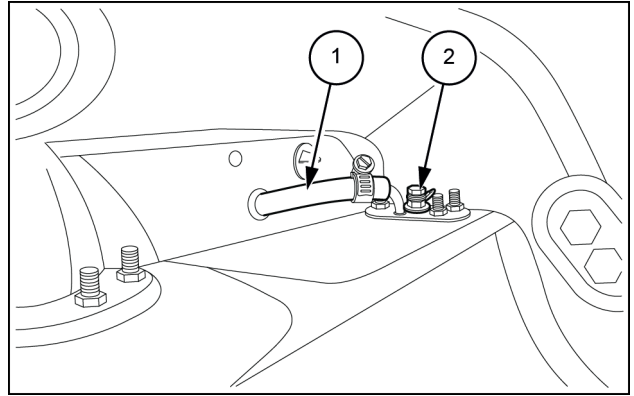
**Please download this document**

**first, and then click the above link**

**to download the complete manual.**

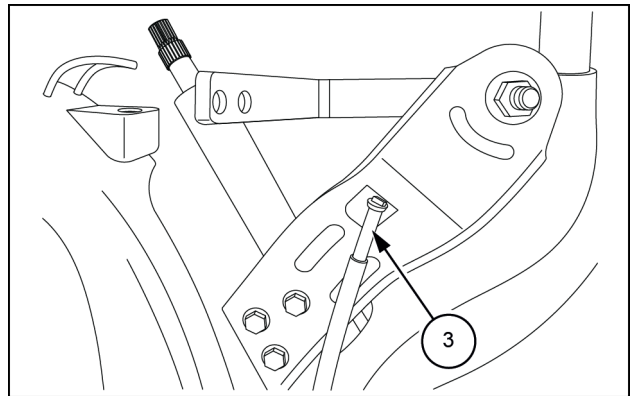
**Thank you so much for reading**

22. Disconnect diesel overflow hose pipe (1) and fuel sender electric connection (2).



GNIL14TR04776AB 20

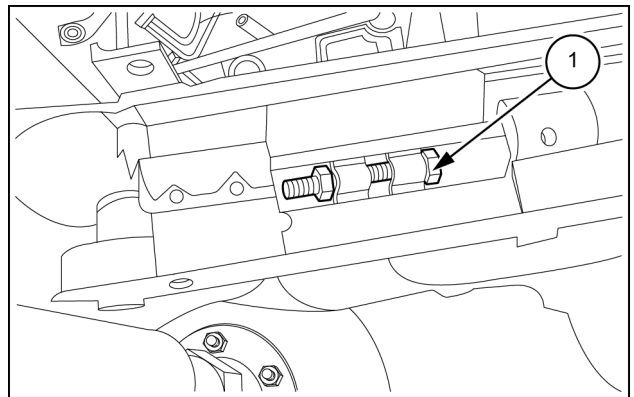
23. Remove hand accelerator cable (3).



GNIL14TR04777AB 21

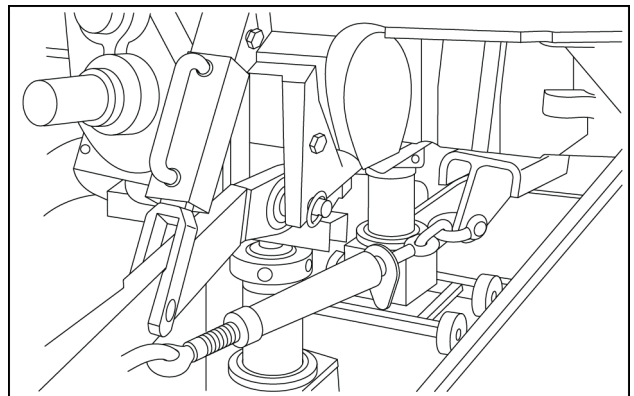
24. Loosen bolts (1) and release fuel tank strap.

**NOTE:** It is advisable to drain diesel from fuel tank if tank is more than half filled.



GNIL14TR04778AB 22

25. Position splitting trolley special tool number 292320 with engine supports in position, also block front wheels both at front and back using suitable wedges.



GNIL14TR04779AA 23

**<https://www.ebooklibonline.com>**

Hello dear friend!

Thank you very much for reading.

Enter the link into your browser.

The full manual is available for immediate download.

**<https://www.ebooklibonline.com>**