

Farmall 95U Pro EP
Farmall 105U Pro EP
Farmall 115U Pro EP
Tractor

SERVICE MANUAL

Part number 47735452

English

July 2014

Copyright © 2014 CNH Industrial Österreich GmbH. All Rights Reserved.





SERVICE MANUAL

**Farmall 105U Pro EP
Farmall 115U Pro EP
Farmall 95U Pro EP**

Link Product / Engine

Product	Market Product	Engine
Farmall 105U Pro EP	Europe	F5DFL413J*A003
Farmall 115U Pro EP	Europe	F5DFL413H*A006
Farmall 95U Pro EP	Europe	F5DFL413K*A003

<https://www.ebooklibonline.com>

Hello dear friend!

Thank you very much for reading.

Enter the link into your browser.

The full manual is available for immediate download.

<https://www.ebooklibonline.com>

Contents

INTRODUCTION

Engine	10
[10.216] Fuel tanks	10.1
[10.254] Intake and exhaust manifolds and muffler	10.2
[10.501] Exhaust Gas Recirculation (EGR) - Diesel Particulate Filter (DPF) exhaust treatment	10.3
[10.414] Fan and drive	10.4
Clutch	18
[18.112] Slip clutch or flywheel damper	18.1
Transmission	21
[21.111] Semi-Powershift transmission	21.1
[21.133] Semi-Powershift transmission external controls	21.2
[21.103] Semi-Powershift transmission lubrication system.....	21.3
[21.152] Semi-Powershift transmission internal components	21.4
[21.902] Field-road group.....	21.5
[21.900] Hydraulic pump drive.....	21.6
[21.109] Transmission cooler and lines.....	21.7
Four-Wheel Drive (4WD) system	23
[23.202] Electro-hydraulic control	23.1
Front axle system	25
[25.100] Powered front axle	25.1
[25.102] Front bevel gear set and differential	25.2
[25.108] Final drive hub, steering knuckles, and shafts	25.3
Rear axle system	27
[27.100] Powered rear axle.....	27.1
[27.106] Rear bevel gear set and differential	27.2
[27.120] Planetary and final drives	27.3

Power Take-Off (PTO)	31
[31.104] Rear electro-hydraulic control.....	31.1
[31.119] Four-speed rear Power Take-Off (PTO).....	31.2
[31.142] Front Power Take-Off (PTO) control	31.3
Brakes and controls	33
[33.202] Hydraulic service brakes	33.1
[33.110] Parking brake or parking lock	33.2
[33.220] Trailer brake hydraulic control.....	33.3
[33.204] Front axle brake	33.4
Hydraulic systems	35
[35.000] Hydraulic systems.....	35.1
[35.300] Reservoir, cooler, and filters.....	35.2
[35.104] Fixed displacement pump.....	35.3
[35.106] Variable displacement pump	35.4
[35.204] Remote control valves	35.5
[35.114] Three-point hitch control valve	35.6
[35.160] Front hitch controls and lines	35.7
Steering	41
[41.200] Hydraulic control components.....	41.1
Wheels	44
[44.520] Rear wheels.....	44.1
Cab climate control	50
[50.200] Air conditioning	50.1
Electrical systems	55
[55.000] Electrical system	55.1
[55.100] Harnesses and connectors.....	55.2
[55.015] Engine control system.....	55.3

[55.301] Alternator.....	55.4
[55.302] Battery.....	55.5
[55.202] Cold start aid	55.6
[55.011] Fuel tank system	55.7
[55.014] Engine intake and exhaust system.....	55.8
[55.012] Engine cooling system	55.9
[55.013] Engine oil system	55.10
[55.640] Electronic modules	55.11
[55.024] Transmission control system.....	55.12
[55.020] Transmission speed sensors.....	55.13
[55.021] Transmission pressure sensors.....	55.14
[55.022] Transmission temperature sensors	55.15
[55.522] Cab Power Take-Off (PTO) controls	55.16
[55.048] Rear Power Take-Off (PTO) control system	55.17
[55.032] Trailer brake electrical system	55.18
[55.035] Remote control valve electric control	55.19
[55.036] Hydraulic system control	55.20
[55.050] Heating, Ventilation, and Air-Conditioning (HVAC) control system.....	55.21
[55.130] Rear three-point hitch electronic control system	55.22
[55.160] Front hitch electronic control system.....	55.23
[55.408] Warning indicators, alarms, and instruments	55.24
[55.680] Autopilot/Autoguidance	55.25
[55.DTC] FAULT CODES.....	55.26
Platform, cab, bodywork, and decals.....	90
[90.150] Cab.....	90.1



INTRODUCTION

Safety rules

PRECAUTIONARY STATEMENTS


Personal Safety





This is the safety alert symbol. It is used to alert you to potential personal injury hazards. Obey all safety messages that follow this symbol to avoid possible injury or death.

Throughout this manual, you will find the signal words DANGER, WARNING, and CAUTION followed by special instructions. These precautions are intended for the personal safety of you and those working with you.

Read and understand all the safety messages in this manual before you operate or service the machine.

 DANGER indicates a hazardous situation which, if not avoided, will result in death or serious injury.

 WARNING indicates a hazardous situation which, if not avoided, could result in death or serious injury.

 CAUTION, used with the safety alert symbol, indicates a hazardous situation which, if not avoided, could result in minor or moderate injury.

FAILURE TO FOLLOW DANGER, WARNING, AND CAUTION MESSAGES COULD RESULT IN DEATH OR SERIOUS INJURY.

NOTICE: Install new decals if the old decals are destroyed, lost painted over or cannot be read. When parts are replaced that have decals make sure you install a new decal with each new part.

MACHINE SAFETY

NOTICE: Notice indicates a situation which, if not avoided, could result in machine or property damage.

Throughout this manual you will find the signal word Notice followed by special instructions to prevent machine or property damage. The word Notice is used to address practices not related to personal safety.

INFORMATION

NOTE: Note indicates additional information which clarifies steps, procedures, or other information in this manual.

Throughout this manual you will find the word Note followed by additional information about a step, procedure, or other information in the manual. The word Note is not intended to address personal safety or property damage.

ACCIDENT PREVENTION

▲ WARNING

Avoid injury! Always do the following before lubricating, maintaining, or servicing the machine.

- 1. Disengage all drives.**
- 2. Engage parking brake.**
- 3. Lower all attachments to the ground, or raise and engage all safety locks.**
- 4. Shut off engine.**
- 5. Remove key from key switch.**
- 6. Switch off battery key, if installed.**
- 7. Wait for all machine movement to stop.**

Failure to comply could result in death or serious injury.

W0047A

Most accidents or injuries that occur in workshops are the result of non compliance to simple and fundamental safety principles. For this reason, IN MOST CASES THESE ACCIDENTS CAN BE AVOIDED by applying the fundamental safety principles, acting with the necessary caution and care.

Accidents may occur with all types of machine, regardless of how well the machine in question was designed and built.

SAFETY REQUIREMENTS FOR FLUID POWER SYSTEMS AND COMPONENTS - HYDRAULICS (EUROPEAN STANDARD EN982)

- Flexible hose assemblies must not be constructed from hoses which have been previously used as part of a hose assembly.
- Do not weld hydraulic pipes: when flexible hoses or piping are damaged, replace them immediately.
- It is forbidden to modify a hydraulic accumulator by machining, welding or any other way.
- Before removing hydraulic accumulators for servicing, the liquid pressure in the accumulators must be reduced to zero.
- Pressure check on hydraulic accumulators must be carried out by a method recommended by the accumulator manufacturer.
- Take care not to exceed the maximum allowed pressure of the accumulator. After any check or adjustment, check for leakages or gas in the hoses or pipes.

SAFETY RULES

General guidelines

- Carefully follow specified repair and maintenance procedures.
- When appropriate, use P.P.E (Personal Protective Equipment)
- Do not wear rings, wristwatches, jewellery, unbuttoned or loose articles of clothing such as: ties, torn clothing, scarves, open jackets or shirts with open zips that may remain entangled in moving parts. It is advised to wear approved safety clothing, e.g.: non-slip footwear, gloves, safety goggles, helmets, etc.
- Do not carry out repair operations with someone sitting in the driver's seat, unless the person is a trained technician who is assisting with the operation in question.
- Do not operate the machine or use any of the implements from different positions, other than the driver's seat.
- Do not carry out operations on the machine with the engine running, unless specifically indicated.
- Bring all hydraulic cylinders to the home positions (down, retracted, etc.) before engine shut down.
- Stop the engine and check that the hydraulic circuits are pressure-free before removing caps, covers, valves, etc.
- All repair and maintenance operations must be carried out using extreme care and attention.
- Service steps and platforms used in the workshop or elsewhere should be built according to the applicable standards and legislation.
- Disconnect the power take off (p.t.o). and label the controls to indicate that the machine is being serviced. Any parts that are to be raised must be locked in position.

INTRODUCTION

- Brakes are inoperative when manually released for repair or maintenance purposes. Use blocks or similar devices to secure the machine in these conditions.
- Only use specified towing points for towing the machine. Connect parts carefully. Make sure that all pins and/or locks are secured in position before applying traction. Never remain near the towing bars, cables or chains that are operating under load.
- When loading or unloading the machine from the trailer (or other means of transport), select a flat area capable of sustaining the trailer or truck wheels. Firmly secure the machine to the truck or trailer and lock the wheels in the position used by the carrier.
- Electric heaters, battery-chargers and similar equipment must only be powered by auxiliary power supplies with efficient ground insulation to avoid electrical shock hazards.
- Always use suitable hoisting or lifting devices when raising or moving heavy parts.
- Keep bystanders away.
- Never use gasoline, diesel oil or other inflammable liquids as cleaning agents. Use non-inflammable, non toxic commercially available solvents.
- Wear safety goggles with side guards when cleaning parts with compressed air.
- Do not run the engine in enclosed spaces without suitable ventilation or exhaust extraction.
- Never use open flames for lighting when working on the machine or checking for leaks.
- All movements must be carried out carefully when working under, on or near the machine. Wear personal protective equipment (P.P.E.): helmets, goggles and special footwear.
- When carrying out checks with the engine running, request the assistance of an operator in the driver's seat. The operator must maintain visual contact with the service technician at all times.
- If operating outside the workshop, position the machine on a flat surface and lock in position. If working on a slope, lock the machine in position. Move to a flat area as soon as is safely possible.
- Damaged or bent chains or cables are unreliable. Do not use them for lifting or towing. Always use suitable protective gloves when handling chains or cables.
- Chains should always be safely secured. Make sure that the hitch-up point is capable of sustaining the load in question. Keep the area near the hitch-up point, chains or cables free of all bystanders.
- Maintenance and repair operations must be carried out in a CLEAN and DRY area. Clean up any water or oil spillage immediately.
- Do not create piles of oil or grease-soaked rags as they represent a serious fire hazard. Always store rags in a closed metal container.
- Before engaging the machine, make sure that there are no persons within the machine or implement range of action.
- Empty your pockets of all objects that may fall accidentally unobserved into the machine inner compartments.
- When metal parts are sticking out, use protective goggles or goggles with side guards, helmets, special footwear and gloves.
- When welding, use protective safety devices: tinted safety goggles, helmets, special overalls, gloves and footwear. All persons present in the area where welding is taking place must wear tinted goggles. NEVER LOOK DIRECTLY AT THE WELDING ARC WITHOUT SUITABLE EYE PROTECTION.
- Always disconnect battery ground terminal when welding.
- Metal cables tend to fray with repeated use. Always use suitable protective devices (gloves, goggles, etc.) when handling cables.

Machine start-up.

- Never run the engine in confined spaces that are not equipped with adequate ventilation for exhaust gas extraction.
- Never place the head, body, limbs, feet, hands or fingers near rotating and moving parts.

Hydraulic systems and fuel injection systems

- A liquid leaking from a tiny hole may be almost invisible but, at the same time, be powerful enough to penetrate the skin. Therefore, NEVER USE HANDS TO CHECK FOR LEAKS but use a piece of cardboard or paper for this purpose. If any liquid penetrates skin tissue, call for medical aid immediately. Failure to treat this condition with correct medical procedure may result in serious infection or death.
- In order to check the pressure in the system use suitable instruments.

Wheels and Tires

- Make sure that the tires are correctly inflated at the pressure specified by the manufacturer. Periodically check the rims and tires for damage.
- Stand away from (at the side of) the tire when checking inflation pressure.
- Do not use parts of recovered wheels as incorrect welding brazing or heating may weaken and eventually cause damage to the wheel.
- Never cut or weld a rim mounted with an inflated tire.
- Deflate the tire before removing any objects that may be jammed in the tire tread.
- Never inflate tires using inflammable gases, as this may result in explosions and injury to bystanders.

Removal and Re-fitting

- Lift and handle all heavy parts using suitable hoisting equipment. Make sure that parts are sustained by appropriate hooks and slings. Use the hoisting eyebolts for lifting operations. Extra care should be taken if persons are present near the load to be lifted.
- Handle all parts carefully. Do not put your hands or fingers between parts. Wear suitable safety clothing - safety goggles, gloves and shoes.
- Avoid twisting chains or metal cables. Always wear safety gloves when handling cables or chains.



SERVICE MANUAL

Engine

**Farmall 105U Pro EP
Farmall 115U Pro EP
Farmall 95U Pro EP**

Fuel tank - Remove

⚠ WARNING

Fuel vapors are explosive and flammable.
Do not smoke while handling fuel. Keep fuel away from flames or sparks. Shut off engine and remove key before servicing. Always work in a well-ventilated area. Clean up spilled fuel immediately.
Failure to comply could result in death or serious injury.

W0904A

Prior operation:

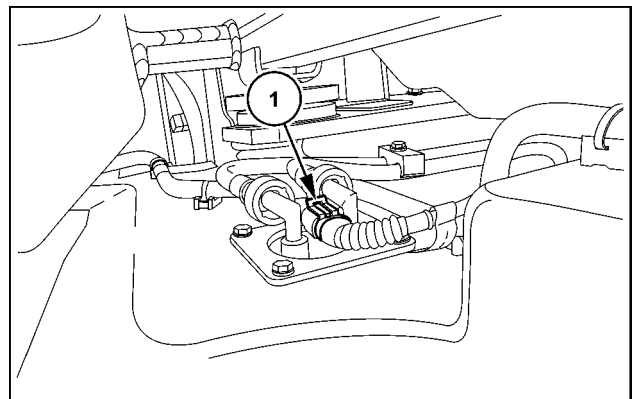
Remove the battery. See **Battery - Remove (55.302)**.

Remove the left-hand side rear wheel. See **Rear wheels - Remove (44.520)**.

1. Remove the steps on the left-hand side of the cab. See also **Cab - Remove (90.150)**.
2. Open the bolt and drain the fuel from the fuel tank.

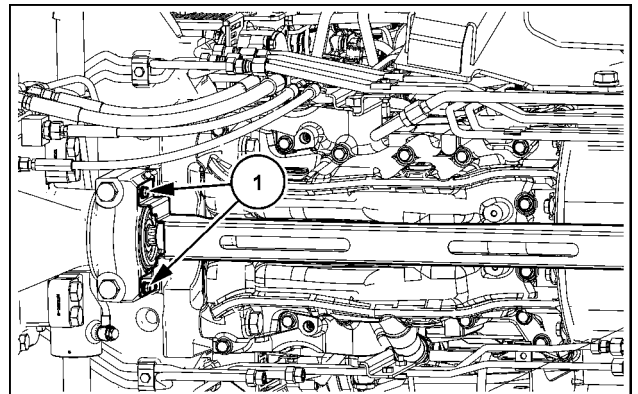
NOTE: Place a container of suitable capacity below the fuel tank.

3. Disconnect the electrical connector (1) from the fuel tank sensor.



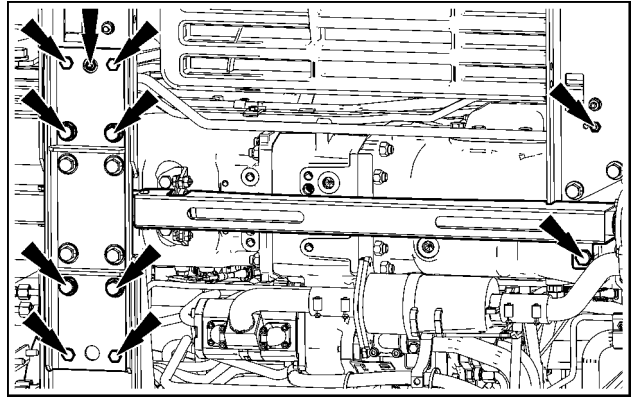
SVIL13TR00646AB 1

4. Remove the bolts (1).



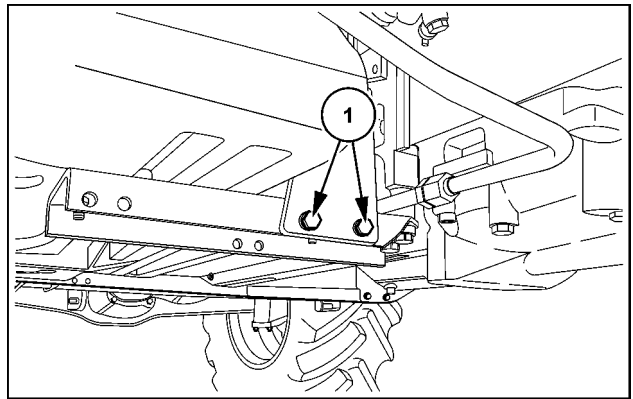
SS13H206 2

5. Put a jack below the 4WD cover.
6. Remove the nuts and the clamps of the air operated trailer brake pipe (where fitted).
7. Remove the bolts.
8. Remove the 4WD cover.



SS13H207 3

9. Remove the bolts (1).



SVIL13TR00654AB 4

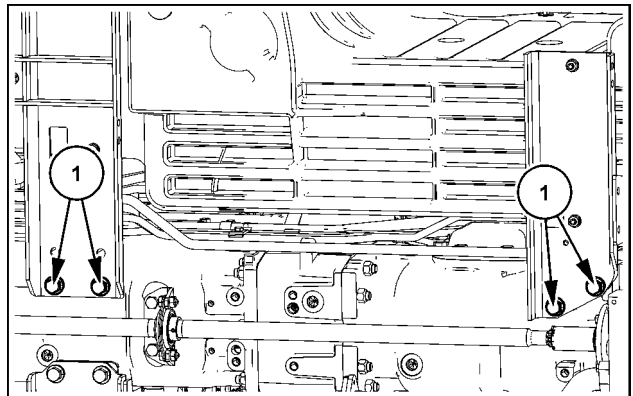
10. **⚠ WARNING**

Heavy objects!
 Lift and handle all heavy components using lifting equipment with adequate capacity. Always support units or parts with suitable slings or hooks. Make sure the work area is clear of all bystanders. Failure to comply could result in death or serious injury.

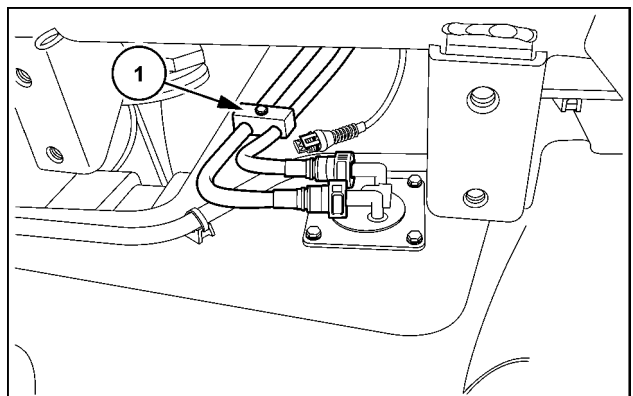
W0398A

Put a jack below the fuel tank.

11. Remove the bolts (1) and the thick washers.
12. Remove the clamps (1) and the fuel pipes.



SS13H208 5



SVIL13TR00644AB 6

13. Remove the fuel tank with a jack.

Next operation:
Fuel tank - Install (10.216)

Fuel tank - Install

Prior operation:

Fuel tank - Remove (10.216)

1. **⚠ WARNING**

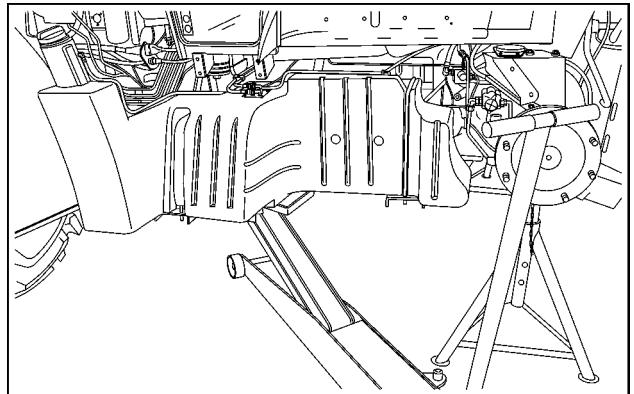
Heavy objects!

Lift and handle all heavy components using lifting equipment with adequate capacity. Always support units or parts with suitable slings or hooks. Make sure the work area is clear of all bystanders.

Failure to comply could result in death or serious injury.

W0398A

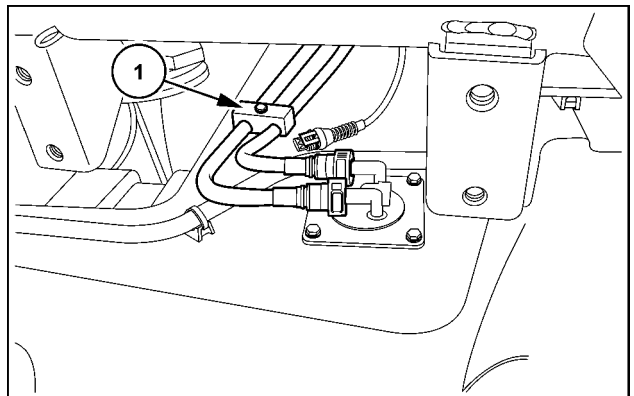
Position the fuel tank with a jack near the fixing points.



SVIL13TR00643AB 1

2. Connect the fuel pipes.

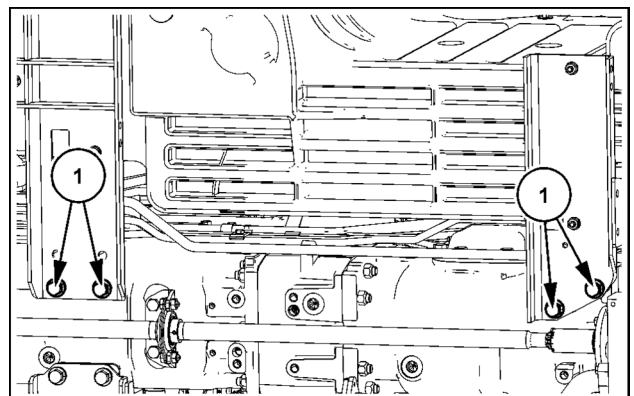
NOTE: Fix the fuel pipes with the clamps (1).



SVIL13TR00644AB 2

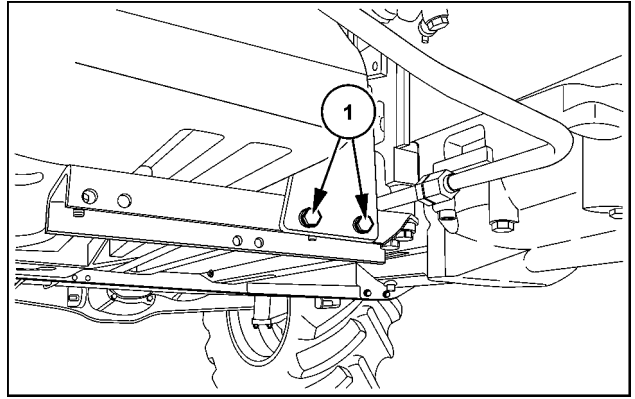
3. Position the fuel tank on the correct place.

4. Fix the fuel tank with the bolts (1) and the thick washers.



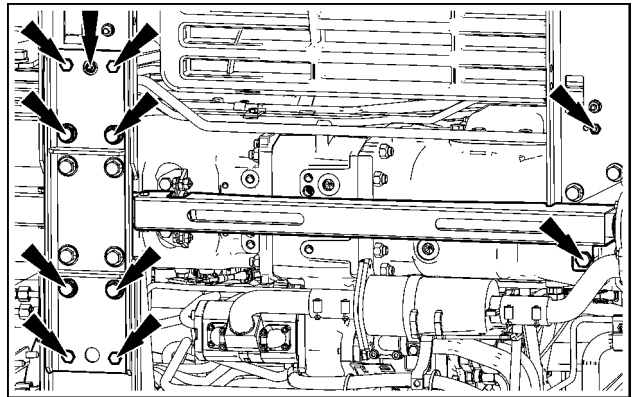
SS13H208 3

5. Fix the fuel tank with the bolts (1).



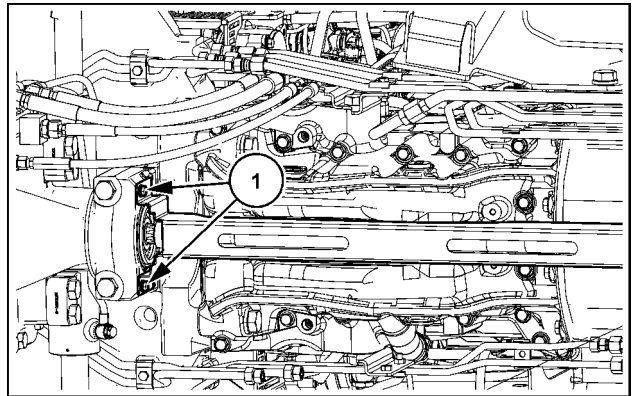
SVIL13TR00654AB 4

6. Install the 4WD cover with the bolts.
7. Fix the air operated trailer brake pipe with clamps and nuts.



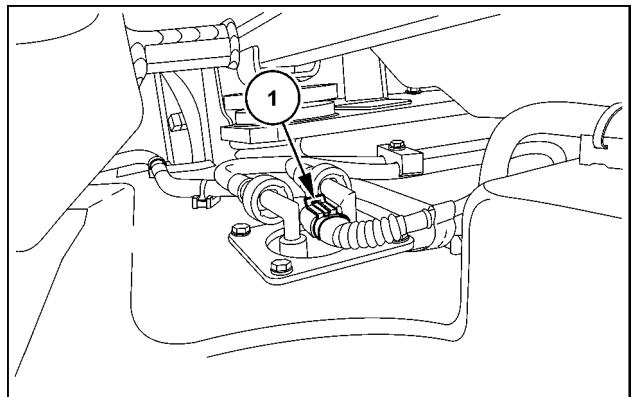
SS13H207 5

8. Install the bolts (1).



SS13H206 6

9. Connect the electrical connector (1) of the fuel tank sensor.



SVIL13TR00646AB 7

10. Fill in the fuel. See also **Capacities** ().



Suggest:

If the above button click is invalid.

Please download this document

first, and then click the above link

to download the complete manual.

Thank you so much for reading

11. Install the steps on the left-hand side of the cab. See also **Cab - Install (90.150)**.

Next operation:

Install the left-hand side rear wheel. See **Rear wheels - Install (44.520)**.
Install the battery. See **Battery - Install (55.302)**.

<https://www.ebooklibonline.com>

Hello dear friend!

Thank you very much for reading.

Enter the link into your browser.

The full manual is available for immediate download.

<https://www.ebooklibonline.com>