

# SERVICE MANUAL

## **WE150B** Wheeled Excavator

Part number 48005347  
English  
April 2016



## Link Product / Engine

---

<b>Product</b>	<b>Market Product</b>	<b>Engine</b>
WE150B Wheeled excavator 2PB Tier3 MY2013 - Nef 4 CYL Mech	Middle East Africa	F4GE9484
WE150B Wheeled excavator Mono Tier3 MY2013 - Nef 4 CYL Mech	Europe	F4GE9484
WE150B Wheeled excavator 2PB Tier3 MY2013 - Nef 4 CYL Mech	Europe	F4GE9484
WE150B Wheeled excavator 2PB Tier3 MY2013 - Nef 4 CYL Mech	Asia Pacific	F4GE9484
WE150B Wheeled excavator Mono Tier3 MY2013 - Nef 4 CYL Mech	Asia Pacific	F4GE9484
WE150B Wheeled excavator Mono Tier3 MY2013 - Nef 4 CYL Mech	Middle East Africa	F4GE9484

# Contents

---

## INTRODUCTION

<b>Engine</b> .....	<b>10</b>
[10.202] Air cleaners and lines .....	10.1
[10.206] Fuel filters .....	10.2
[10.216] Fuel tanks .....	10.3
[10.218] Fuel injection system.....	10.4
[10.254] Intake and exhaust manifolds and muffler .....	10.5
[10.310] Aftercooler.....	10.6
[10.400] Engine cooling system .....	10.7
<b>Transmission</b> .....	<b>21</b>
[21.105] Powershift transmission lubrication system .....	21.1
[21.113] Powershift transmission .....	21.2
[21.135] Powershift transmission external controls.....	21.3
[21.155] Powershift transmission internal components.....	21.4
<b>Four-Wheel Drive (4WD) system</b> .....	<b>23</b>
[23.314] Drive shaft.....	23.1
<b>Front axle system</b> .....	<b>25</b>
[25.100] Powered front axle .....	25.1
[25.102] Front bevel gear set and differential .....	25.2
[25.108] Final drive hub, steering knuckles, and shafts .....	25.3
[25.122] Axle suspension control.....	25.4
<b>Rear axle system</b> .....	<b>27</b>
[27.100] Powered rear axle.....	27.1
[27.106] Rear bevel gear set and differential .....	27.2
[27.120] Planetary and final drives .....	27.3
<b>Brakes and controls</b> .....	<b>33</b>

**<https://www.ebooklibonline.com>**

Hello dear friend!

Thank you very much for reading.

Enter the link into your browser.

The full manual is available for immediate download.

**<https://www.ebooklibonline.com>**

[33.110] Parking brake or parking lock .....	33.1
[33.202] Hydraulic service brakes .....	33.2
<b>Hydraulic systems.....</b>	<b>35</b>
[35.000] Hydraulic systems.....	35.1
[35.106] Variable displacement pump .....	35.2
[35.300] Reservoir, cooler, and filters.....	35.3
[35.304] Combination pump units .....	35.4
[35.352] Hydraulic swing system .....	35.5
[35.353] Hydraulic travel system .....	35.6
[35.354] Hydraulic central joint .....	35.7
[35.357] Pilot system .....	35.8
[35.359] Main control valve.....	35.9
[35.360] Hammer and rotating bucket hydraulic system .....	35.10
[35.703] Stabilizer hydraulic system.....	35.11
[35.730] Positioning arm hydraulic system .....	35.12
[35.736] Boom hydraulic system .....	35.13
[35.737] Dipper hydraulic system.....	35.14
[35.738] Excavator and backhoe bucket hydraulic system.....	35.15
[35.741] Dozer blade cylinders .....	35.16
<b>Frames and ballasting .....</b>	<b>39</b>
[39.103] Swing ring assembly .....	39.1
[39.129] Stabilizers .....	39.2
[39.140] Ballasts and supports .....	39.3
<b>Steering.....</b>	<b>41</b>
[41.101] Steering control .....	41.1
[41.106] Tie rods.....	41.2
[41.200] Hydraulic control components.....	41.3
[41.216] Cylinders .....	41.4

<b>Wheels</b> .....	<b>44</b>
[44.511] Front wheels .....	44.1
[44.520] Rear wheels .....	44.2
<b>Cab climate control</b> .....	<b>50</b>
[50.200] Air conditioning .....	50.1
<b>Electrical systems</b> .....	<b>55</b>
[55.000] Electrical system .....	55.1
[55.010] Fuel injection system .....	55.2
[55.011] Fuel tank system .....	55.3
[55.012] Engine cooling system .....	55.4
[55.014] Engine intake and exhaust system .....	55.5
[55.015] Engine control system .....	55.6
[55.020] Transmission speed sensors .....	55.7
[55.036] Hydraulic system control .....	55.8
[55.050] Heating, Ventilation, and Air-Conditioning (HVAC) control system .....	55.9
[55.100] Harnesses and connectors .....	55.10
[55.110] Electrical rotary joint .....	55.11
[55.302] Battery .....	55.12
[55.404] External lighting .....	55.13
[55.416] Swing control system .....	55.14
[55.425] Boom, dipper, and bucket control system .....	55.15
[55.512] Cab controls .....	55.16
[55.514] Cab lighting .....	55.17
[55.525] Cab engine controls .....	55.18
[55.530] Camera .....	55.19
[55.640] Electronic modules .....	55.20
<b>Booms, dippers, and buckets</b> .....	<b>84</b>
[84.100] Bucket .....	84.1

[84.910] Boom .....	84.2
<b>Dozer blade and arm.....</b>	<b>86</b>
[86.110] Dozer blade .....	86.1
<b>Platform, cab, bodywork, and decals .....</b>	<b>90</b>
[90.118] Protections and footboards.....	90.1
[90.124] Pneumatically-adjusted operator seat.....	90.2
[90.150] Cab .....	90.3
[90.151] Cab interior.....	90.4



# INTRODUCTION

---

## **Foreword - Important notice regarding equipment servicing**

All repair and maintenance work listed in this manual must be carried out only by qualified dealership personnel, strictly complying with the instructions given, and using, whenever possible, the special tools.

Anyone who performs repair and maintenance operations without complying with the procedures provided herein shall be responsible for any subsequent damages.

The manufacturer and all the organizations of its distribution chain, including - without limitation - national, regional, or local dealers, reject any responsibility for damages caused by parts and/or components not approved by the manufacturer, including those used for the servicing or repair of the product manufactured or marketed by the manufacturer. In any case, no warranty is given or attributed on the product manufactured or marketed by the manufacturer in case of damages caused by parts and/or components not approved by the manufacturer.

The manufacturer reserves the right to make improvements in design and changes in specifications at any time without notice and without incurring any obligation to install them on units previously sold. Specifications, descriptions, and illustrative material herein are as accurate as known at time of publication but are subject to change without notice.

In case of questions, refer to your NEW HOLLAND CONSTRUCTION Sales and Service Networks.

## Safety rules

### Personal safety



This is the safety alert symbol. It is used to alert you to potential personal injury hazards. Obey all safety messages that follow this symbol to avoid possible death or injury.

Throughout this manual you will find the signal words DANGER, WARNING, and CAUTION followed by special instructions. These precautions are intended for the personal safety of you and those working with you.

Read and understand all the safety messages in this manual before you operate or service the machine.

 DANGER indicates a hazardous situation that, if not avoided, will result in death or serious injury.

 WARNING indicates a hazardous situation that, if not avoided, could result in death or serious injury.

 CAUTION indicates a hazardous situation that, if not avoided, could result in minor or moderate injury.

**FAILURE TO FOLLOW DANGER, WARNING, AND CAUTION MESSAGES COULD RESULT IN DEATH OR SERIOUS INJURY.**

### Machine safety

**NOTICE:** Notice indicates a situation that, if not avoided, could result in machine or property damage.

Throughout this manual you will find the signal word Notice followed by special instructions to prevent machine or property damage. The word Notice is used to address practices not related to personal safety.

### Information

**NOTE:** Note indicates additional information that clarifies steps, procedures, or other information in this manual.

Throughout this manual you will find the word Note followed by additional information about a step, procedure, or other information in the manual. The word Note is not intended to address personal safety or property damage.

## Personal safety

Carefully read this Manual before proceeding with maintenance, repairs, refuelling or other machine operations.

Repairs have to be carried out only by authorized and instructed staff; specific precautions have to be taken when grinding, welding or when using mallets or heavy hammers.

Not authorized persons are not allowed to repair or carry out maintenance on this machine. Do not carry out any work on the equipment without prior authorization.

Ask your employer about the safety instructions in force and safety equipment.

Nobody should be allowed in the cab during machine maintenance unless he is a qualified operator helping with the maintenance work.

If it is necessary to move the equipment to carry out repairs or maintenance, do not lift or lower the equipment from any other position than the operator's seat.

Never carry out any operation on the machine when the engine is running, except when specifically indicated.

Stop the engine and ensure that all pressure is relieved from hydraulic circuits before removing caps, covers, valves, etc.

All repair and maintenance operations should be carried out with the greatest care and attention.

Service stairs and platforms used in a workshop or in the field should be built in compliance with the safety rules in force.

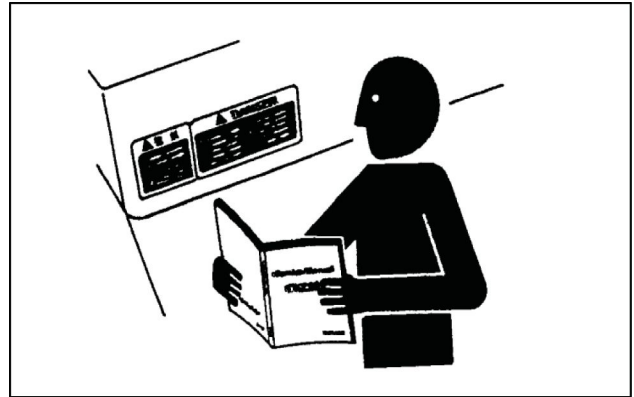
Any functional disorders, especially those affecting the safety of the machine, should therefore be rectified immediately.

### **⚠ DANGER**

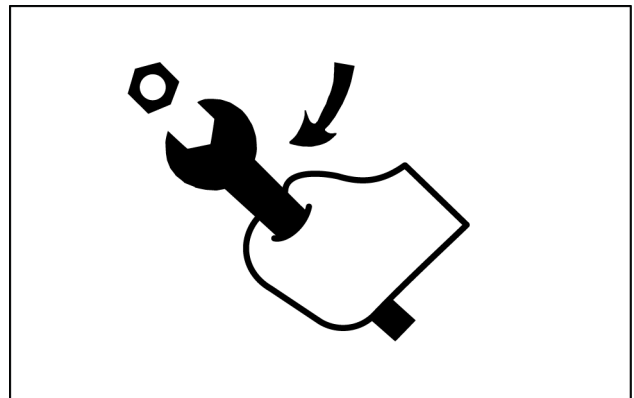
**Unexpected movement!**  
**Make sure parking brake is applied. Secure machine with wheel chocks.**  
**Failure to comply will result in death or serious injury.**

D0013A

Before performing any work on the machine, attach a maintenance in progress tag. This tag can be applied on the left-hand control lever, safety lever or cab door.



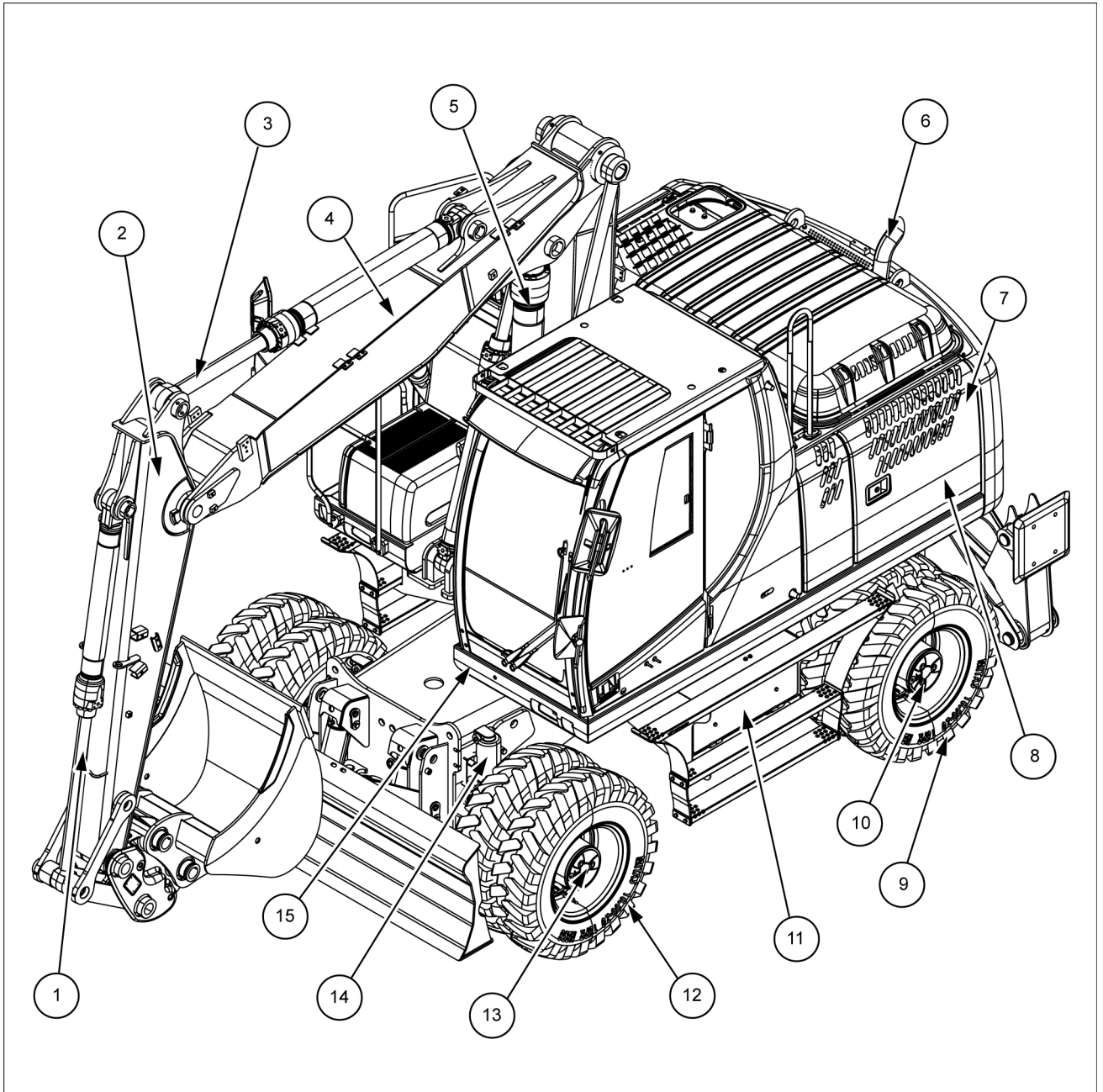
TULI12WEX2004AA 1



TULI12WEX2005AA 2

## Product overview

### Triple Articulation Version



SMIL13WEX0081GB 1

- |   |                      |    |                                |
|---|----------------------|----|--------------------------------|
| 1 | Bucket cylinder      | 9  | Rear wheels                    |
| 2 | Dipper               | 10 | Rear rigid axle                |
| 3 | Dipper cylinder      | 11 | Stair and storage box          |
| 4 | Second boom          | 12 | Front wheels                   |
| 5 | Positioning cylinder | 13 | Front steering axle            |
| 6 | Muffler              | 14 | Axle floating locking cylinder |
| 7 | Radiators            | 15 | Upper structure                |
| 8 | Batteries            |    |                                |



# **SERVICE MANUAL**

**Engine**

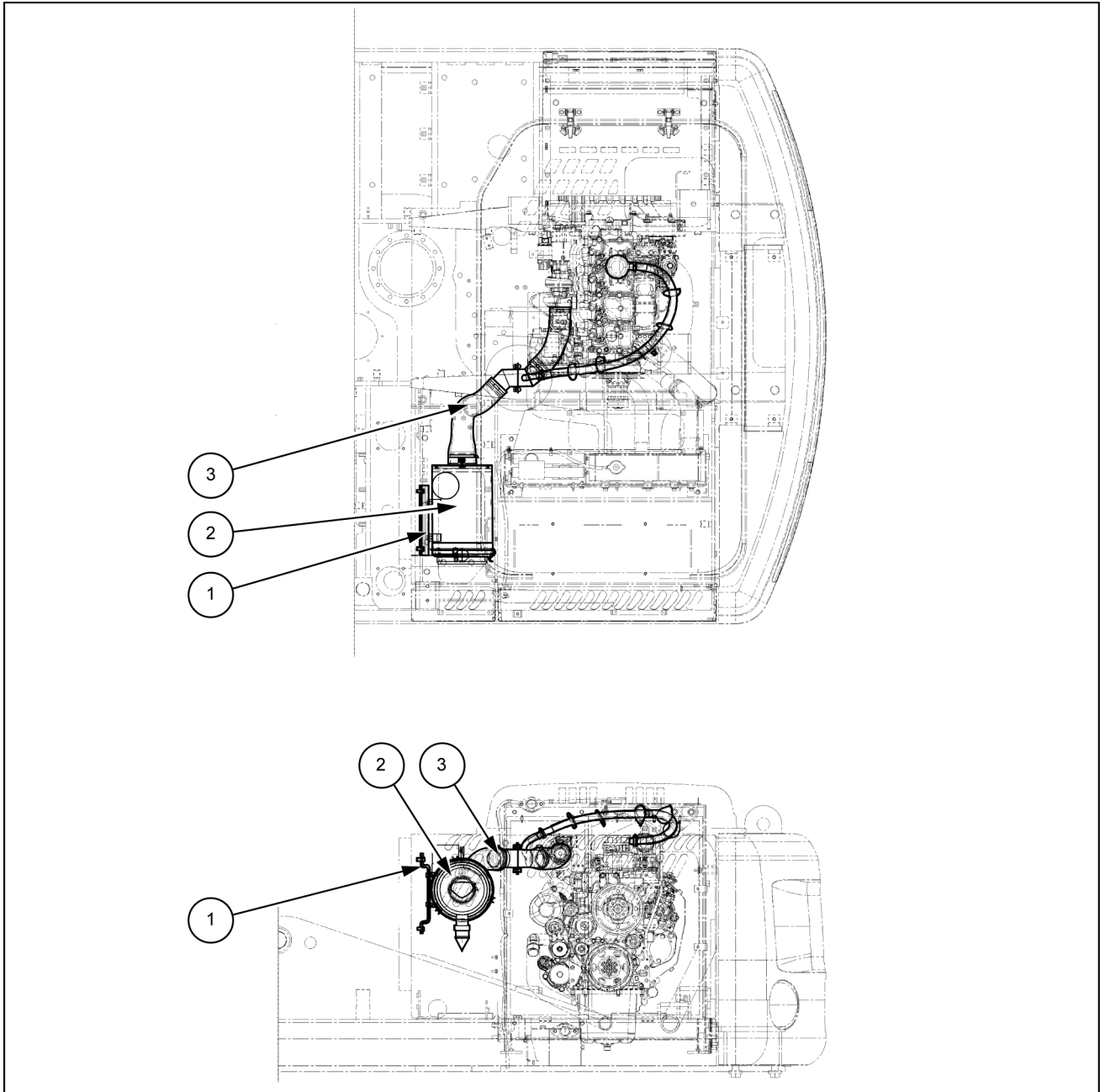
**WE150B**

## Air cleaners and lines - Static description

The support (1) attaches the air cleaner (2) to the frame of the machine.

The air cleaner (2) filters the intake air of the engine.

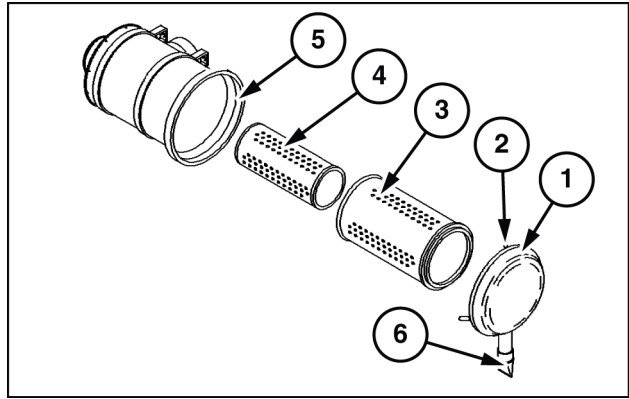
The filtered air flows into the hose (3).



SMIL14WEX0225GB 1

The air cleaner consists of:

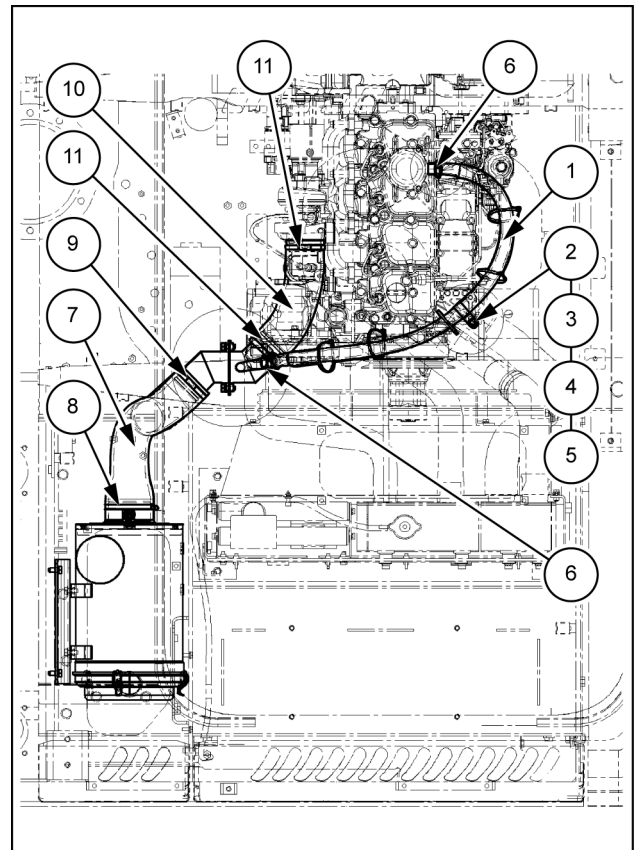
- a cover **(1)**;
- a locking clip **(2)**;
- two filter elements **(3)** and **(4)**;
- a case **(5)**;
- a dust charge valve **(6)**.



TUL12WEX2146AB 2

## Air intake lines - Remove

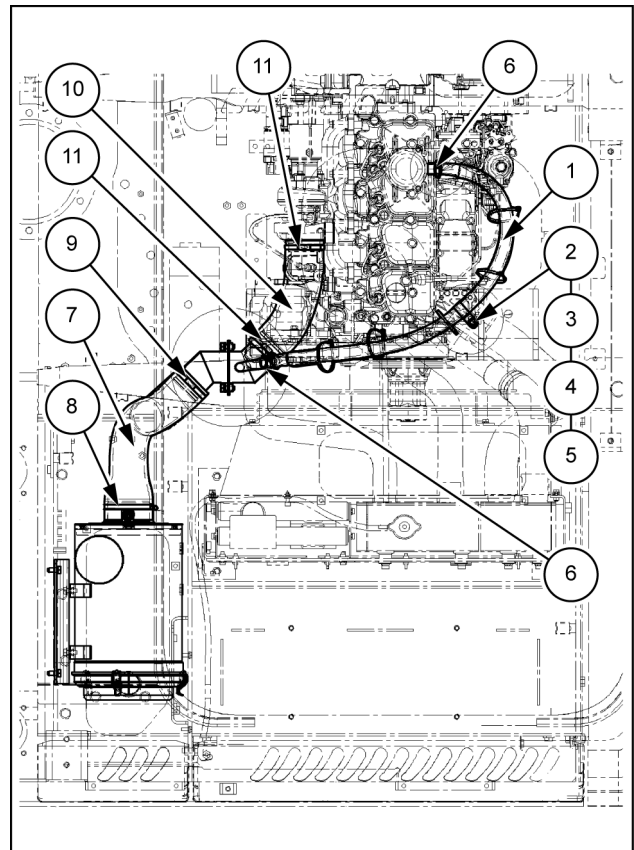
1. Remove the hose (1).
  - Loosen the screw (2) and remove the washer (3), the lock washer (4) and the clamp (5).
  - Loosen the two clamps (6).
  - Disconnect the two ends of the hose (1) and remove it.
2. Remove the hose (7).
  - Loosen the clamps (8) and (9).
  - Disconnect the two ends of the hose (7) and remove it.
3. Remove the hose (10).
  - Loosen the clamps (11).
  - Disconnect the two ends of the hose (10) and remove it.



SMIL14WEX0228BB 1

## Air intake lines - Install

1. Install the hose (1).
  - Connect the two ends of the hose (1).
  - Install the two clamps (6) and tighten them to **5.9 N·m (4.4 lb ft)**.
  - Install the clamp (5) by means of the screw (2) and relevant washer (3) and lock washer (4).
2. Install the hose (7).
  - Connect the two ends of the hose (7).
  - Install the clamps (8) and (9) and tighten them to **5.9 N·m (4.4 lb ft)**.
3. Install the hose (10).
  - Connect the two ends of the hose (10).
  - Install the two clamps (11) and tighten them to **5.9 N·m (4.4 lb ft)**.



SMIL14WEX0228BB 1



**Suggest:**

**If the above button click is invalid.**

**Please download this document**

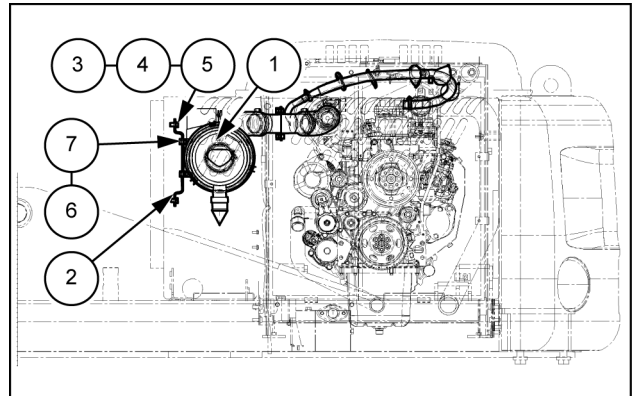
**first, and then click the above link**

**to download the complete manual.**

**Thank you so much for reading**

## Air cleaner support - Remove

1. Remove three screws (3) and relevant washers (4) and lock washers (5).
2. Remove four screws (6) and relevant washers (7).
3. Separate the air cleaner support (2) from the air cleaner (1).



SMIL14WEX0229AB 1

**<https://www.ebooklibonline.com>**

Hello dear friend!

Thank you very much for reading.

Enter the link into your browser.

The full manual is available for immediate download.

**<https://www.ebooklibonline.com>**