

SERVICE MANUAL

WI30D / WI70D Stage IV Wheel Loader

Part number 48083730

English

February 2017





SERVICE MANUAL

**W130 D WHEEL LOADER XR, NEW CAB TIER4B
W130 D WHEEL LOADER ZBAR NEW CAB TIER4B
W170 D WHEEL LOADER XR NEW CAB TIER4B
W170 D WHEEL LOADER ZBAR, NEW CAB TIER4B**

Contents

INTRODUCTION

Engine.....	10
[10.001] Engine and crankcase	10.1
[10.202] Air cleaners and lines	10.2
[10.500] Selective Catalytic Reduction (SCR) exhaust treatment	10.3
[10.400] Engine cooling system	10.4
[10.414] Fan and drive	10.5
[10.310] Aftercooler.....	10.6
[10.304] Engine lubrication system.....	10.7
Transmission.....	21
[21.113] Powershift transmission	21.1
[21.135] Powershift transmission external controls.....	21.2
[21.155] Powershift transmission internal components.....	21.3
[21.700] Torque converter	21.4
Four-Wheel Drive (4WD) system	23
[23.314] Drive shaft.....	23.1
Front axle system	25
[25.100] Powered front axle	25.1
[25.102] Front bevel gear set and differential	25.2
[25.108] Final drive hub, steering knuckles, and shafts	25.3
Rear axle system.....	27
[27.100] Powered rear axle.....	27.1
[27.106] Rear bevel gear set and differential.....	27.2
[27.120] Planetary and final drives	27.3
Brakes and controls	33
[33.202] Hydraulic service brakes	33.1

<https://www.ebooklibonline.com>

Hello dear friend!

Thank you very much for reading.

Enter the link into your browser.

The full manual is available for immediate download.

<https://www.ebooklibonline.com>

[33.110] Parking brake or parking lock	33.2
Hydraulic systems.....	35
[35.000] Hydraulic systems.....	35.1
[35.300] Reservoir, cooler, and filters.....	35.2
[35.106] Variable displacement pump	35.3
[35.359] Main control valve	35.4
[35.357] Pilot system	35.5
[35.752] Hydraulic fan drive cooling system.....	35.6
[35.701] Front loader arm hydraulic system	35.7
[35.723] Front loader bucket hydraulic system.....	35.8
[35.734] Tool quick coupler hydraulic system	35.9
Frames and ballasting	39
[39.100] Frame	39.1
Steering.....	41
[41.101] Steering control	41.1
[41.200] Hydraulic control components.....	41.2
[41.216] Cylinders	41.3
[41.910] Auxiliary steering	41.4
Wheels.....	44
[44.511] Front wheels.....	44.1
[44.520] Rear wheels	44.2
Cab climate control	50
[50.200] Air conditioning.....	50.1
Electrical systems	55
[55.100] Harnesses and connectors.....	55.1
[55.301] Alternator.....	55.2
[55.302] Battery.....	55.3

[55.988] Selective Catalytic Reduction (SCR) electrical system	55.4
[55.989] Exhaust Gas Recirculation (EGR) electrical system	55.5
[55.530] Camera.....	55.6
[55.DTC] FAULT CODES.....	55.7
Front loader and bucket.....	82
[82.100] Arm.....	82.1
[82.300] Bucket.....	82.2
Platform, cab, bodywork, and decals	90
[90.150] Cab.....	90.1



INTRODUCTION

Safety rules


Personal safety





This is the safety alert symbol. It is used to alert you to potential personal injury hazards. Obey all safety messages that follow this symbol to avoid possible death or injury.

Throughout this manual you will find the signal words DANGER, WARNING, and CAUTION followed by special instructions. These precautions are intended for the personal safety of you and those working with you.

Read and understand all the safety messages in this manual before you operate or service the machine.

 DANGER indicates a hazardous situation that, if not avoided, will result in death or serious injury.

 WARNING indicates a hazardous situation that, if not avoided, could result in death or serious injury.

 CAUTION indicates a hazardous situation that, if not avoided, could result in minor or moderate injury.

FAILURE TO FOLLOW DANGER, WARNING, AND CAUTION MESSAGES COULD RESULT IN DEATH OR SERIOUS INJURY.

Machine safety

NOTICE: Notice indicates a situation that, if not avoided, could result in machine or property damage.

Throughout this manual you will find the signal word Notice followed by special instructions to prevent machine or property damage. The word Notice is used to address practices not related to personal safety.

Information

NOTE: Note indicates additional information that clarifies steps, procedures, or other information in this manual.

Throughout this manual you will find the word Note followed by additional information about a step, procedure, or other information in the manual. The word Note is not intended to address personal safety or property damage.

Personal safety

Carefully read this Manual before proceeding with maintenance, repairs, refuelling or other machine operations.

Repairs have to be carried out only by authorized and instructed staff; specific precautions have to be taken when grinding, welding or when using mallets or heavy hammers.

Non-authorized persons are not allowed to repair or carry out maintenance on this machine. Do not carry out any work on the equipment without prior authorization.

Ask your employer about the safety instructions in force and safety equipment.

Nobody should be allowed in the cab during machine maintenance unless he is a qualified operator helping with the maintenance work.

If it is necessary to move the equipment to carry out repairs or maintenance, do not lift or lower the equipment from any other position than the operator's seat.

Never carry out any operation on the machine when the engine is running, except when specifically indicated.

Stop the engine and ensure that all pressure is relieved from hydraulic circuits before removing caps, covers, valves, etc.

All repair and maintenance operations should be carried out with the greatest care and attention.

Service stairs and platforms used in a workshop or in the field should be built in compliance with the safety rules in force.

Any functional disorders, especially those affecting the safety of the machine, should therefore be rectified immediately.

⚠ DANGER

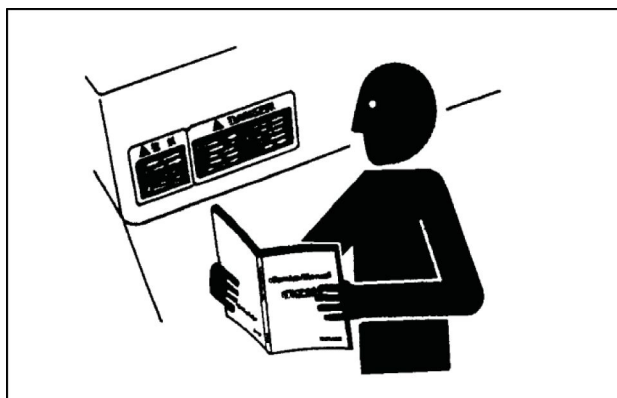
Unexpected movement!

Make sure parking brake is applied. Secure machine with wheel chocks.

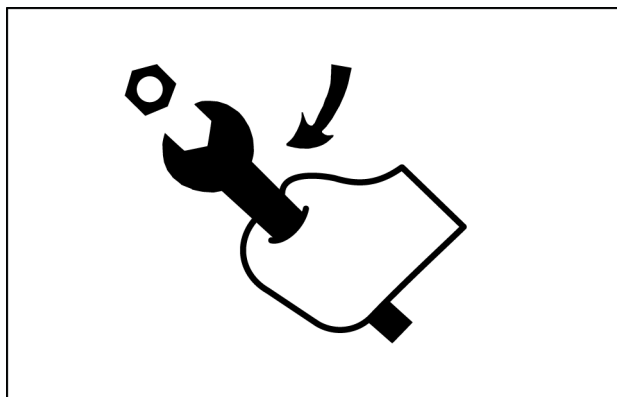
Failure to comply will result in death or serious injury.

D0013A

Before performing any work on the machine, attach a maintenance in progress tag. This tag can be applied on the left-hand control lever, safety lever or cab door.



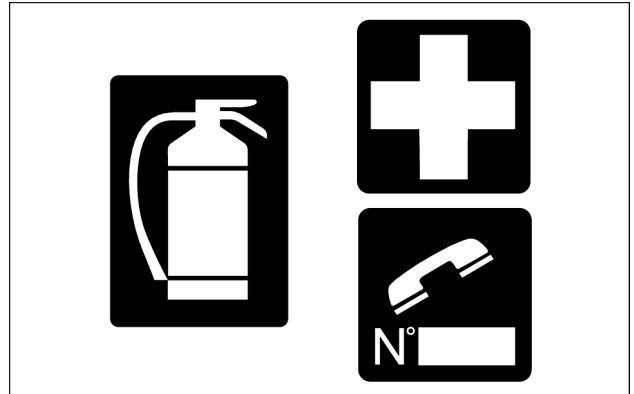
TULI12WEX2004AA 1



TULI12WEX2005AA 2

Emergency

Be prepared for emergencies. Always keep a fire extinguisher and first aid kit readily available. Ensure that the fire extinguisher is serviced in accordance with the manufacturer's instructions.



SML12WEX0174AA 3

Equipment

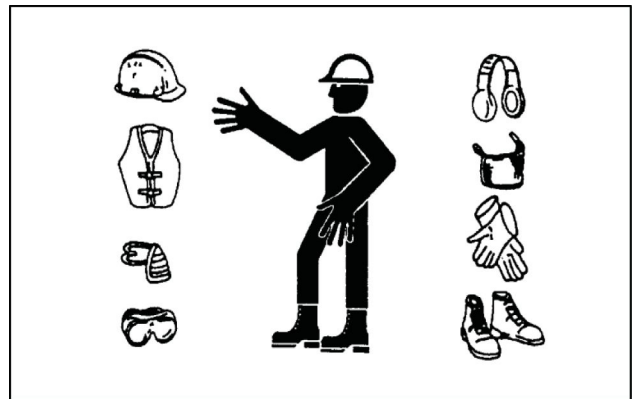
Wear close fitting clothing and safety equipment appropriate for the job:

- Safety helmet
- Safety shoes
- Heavy gloves
- Reflective clothing
- Wet weather clothing

If working conditions require, the following personal safety equipment should be on hand:

- Respirators (or dust proof masks)
- Ear plugs or acoustic ears protections
- Goggles with lateral shield or masks for eye protection

Do not wear rings, wristwatches, jewelry, unbuttoned or flapping clothing such as ties, torn clothes, scarves, open jackets or shirts with open zips which could get caught into moving parts.



TULI12WEX2008AA 4

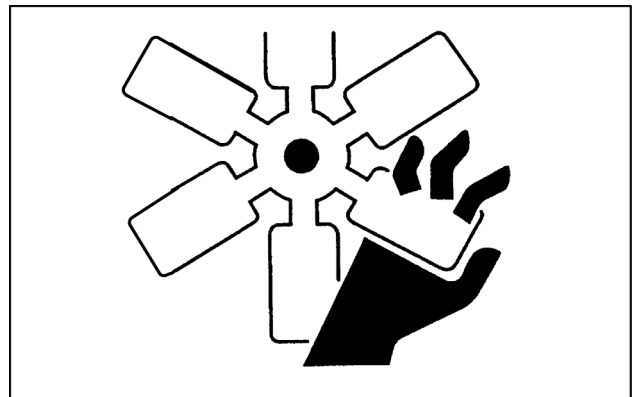
Engine - Radiator

Never leave the engine running in enclosed spaces without proper ventilation which is able to evacuate toxic exhaust gases- Keep the exhaust manifold and tube free from combustible materials.

Do not refuel with the engine running, especially if hot, as this increases fire hazard in case of fuel spillage.

Never attempt to check or adjust the belts when the engine is running.

Never lubricate the machine with the engine running.



TULI12WEX2009AA 5

Pay attention to rotating components and do not allow anyone to approach these areas to avoid becoming entangled.

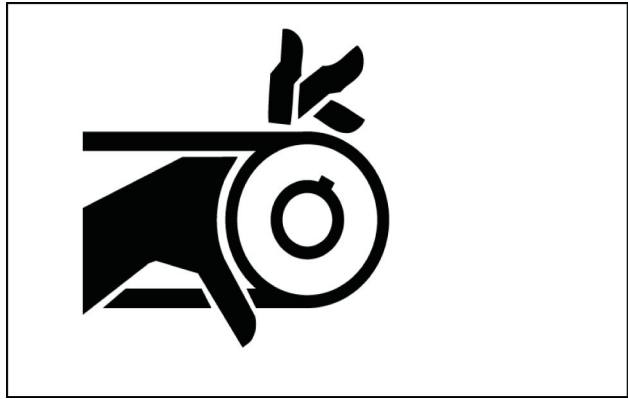
Hands, clothing or tools getting caught in the fan blades or engine belts, can cause amputations, violent hemorrhages and generate conditions of grave danger. For this reason avoid touching or approaching all rotating or moving parts.

A surging spray of the coolant from the radiator can cause serious burns and scalds.

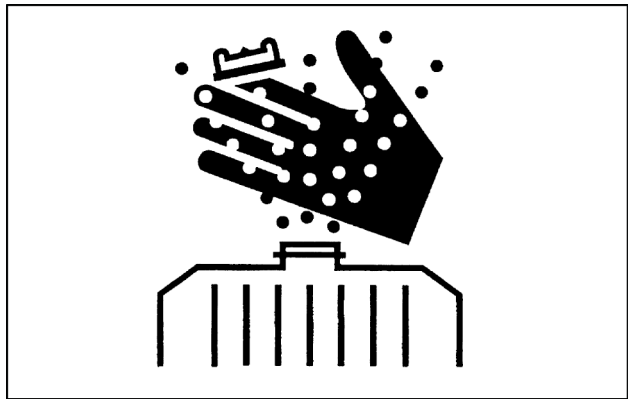
Before checking the coolant level, shut-off the engine and allow machine to cool down the radiator and hoses. Slowly unscrew the cap to release any residual pressure.

If it is necessary to remove the cap while engine is hot, wear safety clothes and equipment, then loosen the cap slowly to relieve the pressure gradually.

When checking the fuel, oil and coolant levels, use lights and lamps explicitly designated as explosion proof. If these types of lamps are not used, fires or explosions may occur.



TUL12WEX2010AA 6



TUL12WEX2011AA 7

Hydraulic systems

Jets of fluids under pressure can penetrate the skin causing serious injuries.

Avoid this hazard by relieving pressure before disconnecting hydraulic or other lines.

Relieve the residual pressure by moving the hydraulic control levers several times.

Tighten all connections before applying pressure.

To protect the eyes wear a facial shield or safety goggles.

Protect your hands and body from possible jets of fluids under pressure.

Swallowing hydraulic oil is a severe health hazard.



TUL12WEX2012AA 8

INTRODUCTION

When hydraulic oil has been swallowed, avoid vomiting, but consult a doctor or go to a hospital.

If an accident occurs, see a doctor familiar with this type of injury immediately.

Any fluid penetrating the skin must be removed within a few hours to avoid serious infections.

Flammable splashes may originate because of heating near lines with fluids under pressure, resulting in serious burns. Do not weld or use torches near lines containing fluids or other flammable materials.

Lines under pressure can accidentally be pierced when the heat expands beyond the area immediately heated.

Arrange for temporary fire resistant shields to protect hoses or other components during welding or torch use.

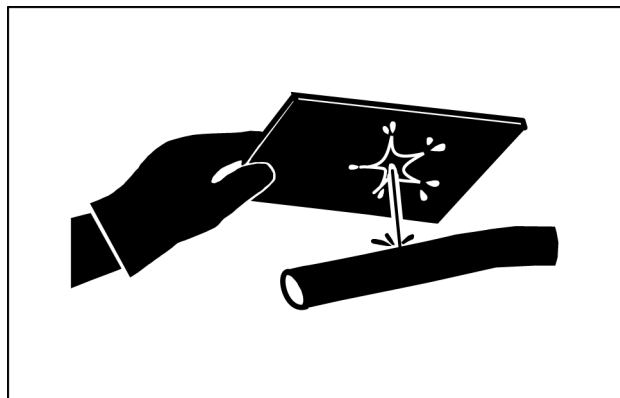
Have any visible leakage repaired immediately.

Discharged oil pollutes the environment. Soak up any oil that has spilled with a proper binding agent. Sweep up binding agent and dispose of it separately from other waste.

Never search for leakages with fingers; instead, use a piece of cardboard and always wear goggles.

Never repair a damaged line; always replace it. Replace hydraulic hoses immediately on detecting any damaged or moist areas.

Always store hydraulic oil in the original containers.



TULI12WEX2013AA 9



SERVICE MANUAL

Engine

**W130 D WHEEL LOADER XR, NEW CAB TIER4B
W130 D WHEEL LOADER ZBAR NEW CAB TIER4B
W170 D WHEEL LOADER XR NEW CAB TIER4B
W170 D WHEEL LOADER ZBAR, NEW CAB TIER4B**

Engine - General specification

W130 D WHEEL LOADER XR, NEW CAB TIER4B	WE
W130 D WHEEL LOADER ZBAR NEW CAB TIER4B	WE

Engine with 4 Speed Transmission	
A. Low idle	870 RPM to 930 RPM
Alternate low idle	670 RPM to 730 RPM
Alternate Accelerated Idle	1270 RPM to 1330 RPM
B. Maximum No Load RPM	2094 RPM to 2224 RPM
C. Converter Stall	1975 RPM to 2125 RPM
D. Hydraulic Stall	1895 RPM to 2205 RPM
E. Converter & Hydraulic Stall	1455 RPM to 1765 RPM
Temperature of the torque converter oil	82 – 104 °C (180 – 219 °F)
Temperature of the hydraulic oil	54 – 57 °C (129 – 135 °F)

NOTE: Hydraulic Stall and Converter & Hydraulic Stall RPM values are read while the lift arms are rising with the bucket held rolled back and the engine at Wide Open Throttle (WOT) in max power mode with transmission in manual mode and in 3rd gear.

Engine - General specification

W170 D WHEEL LOADER XR NEW CAB TIER4B	WE
W170 D WHEEL LOADER ZBAR, NEW CAB TIER4B	WE

Engine with 4 Speed Transmission	
A. Low idle	870 RPM to 930 RPM
Alternate low idle	670 RPM to 730 RPM
Alternate Accelerated Idle	1270 RPM to 1330 RPM
B. Maximum No Load RPM	2100 RPM to 2185 RPM
C. Converter Stall	1893 RPM to 2093 RPM
D. Hydraulic Stall	1923 RPM to 2123 RPM
E. Converter & Hydraulic Stall	1500 RPM to 1700 RPM
Temperature of the torque converter oil	82 – 104 °C (180 – 219 °F)
Temperature of the hydraulic oil	54 – 57 °C (129 – 135 °F)

Engine with 5 Speed Transmission	
A. Low idle	870 RPM to 930 RPM
Alternate low idle	670 RPM to 730 RPM
Alternate Accelerated Idle	1270 RPM to 1330 RPM
B. Maximum No Load RPM	2100 RPM to 2185 RPM
C. Converter Stall	1748 RPM to 1948 RPM
D. Hydraulic Stall	1987 RPM to 2187 RPM
E. Converter & Hydraulic Stall	1413 RPM to 1613 RPM
Temperature of the torque converter oil	82 – 104 °C (180 – 219 °F)
Temperature of the hydraulic oil	54 – 57 °C (129 – 135 °F)

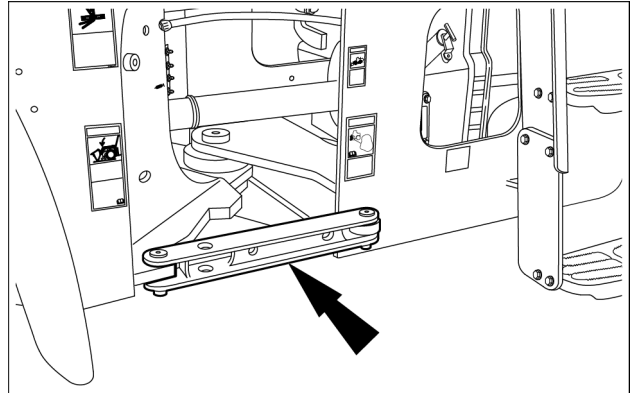
NOTE: Hydraulic Stall and Converter & Hydraulic Stall RPM values are read while the lift arms are rising with the bucket held rolled back and the engine at Wide Open Throttle (WOT) in max power mode with transmission in manual mode and in 3rd gear.

Engine - Remove

W130 D WHEEL LOADER XR, NEW CAB TIER4B	WE
W130 D WHEEL LOADER ZBAR NEW CAB TIER4B	WE

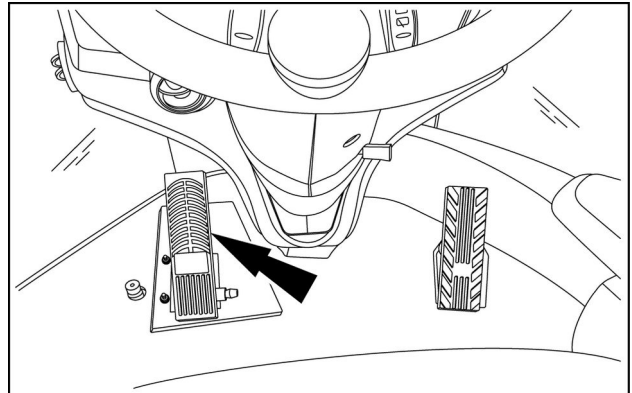
NOTE: emissions sensors mounted in the exhaust stream are sensitive to extreme vibrations. Use of tools that generate extreme vibrations, such as impact wrenches and hammers, will result in damage to emission sensors. Avoid using these tools during any service procedure in close proximity of emission sensors. If the use of these tools cannot be avoided, remove the sensors using extreme caution prior to performing any service procedure.

1. Park the machine on a level surface and lower the bucket to the ground. Put the articulation lock in LOCKED position and stop the engine.



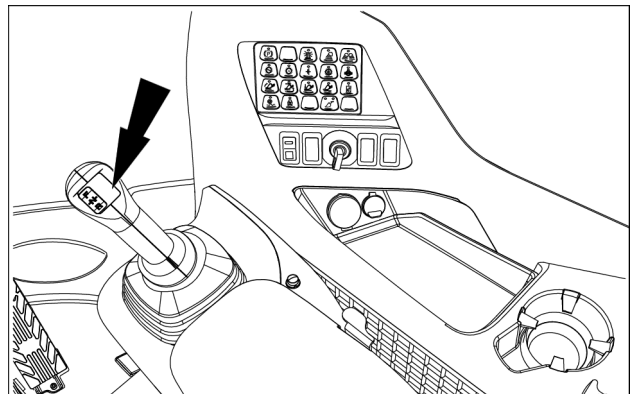
LEIL16WHL0048AB 1

2. Actuate the brake pedal several times to discharge the brake accumulators.



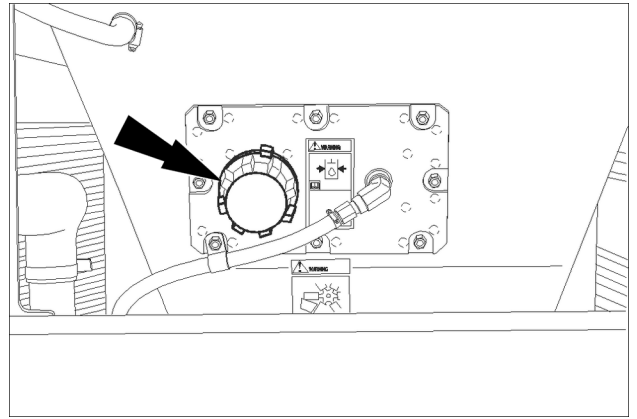
LEIL15WHL0564AA 2

3. Put the key switch in ON position. Put the control switch in ON position. Move the control lever(s) back and forth at least 30 times to release any pressure from the hydraulic circuit. Put the key switch in OFF position.



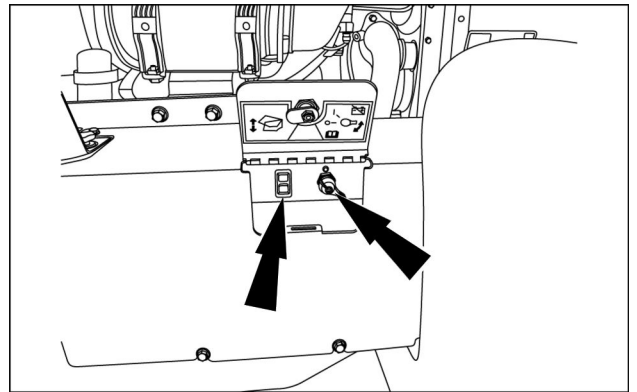
LEIL16WHL1286AA 3

4. Raise the grill located above the cooler box just behind the cab. Then slowly loosen the hydraulic reservoir filler cap to release pressure in the reservoir.



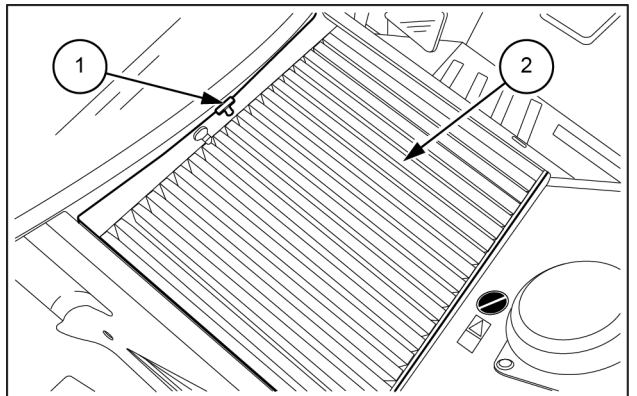
RCPH10WHL099BAL 4

5. Locate the timed disconnect switch and the hood raise switch in the battery box. Raise the engine hood and put the timed disconnect switch in the OFF position.



RCPH10WHL106AAH 5

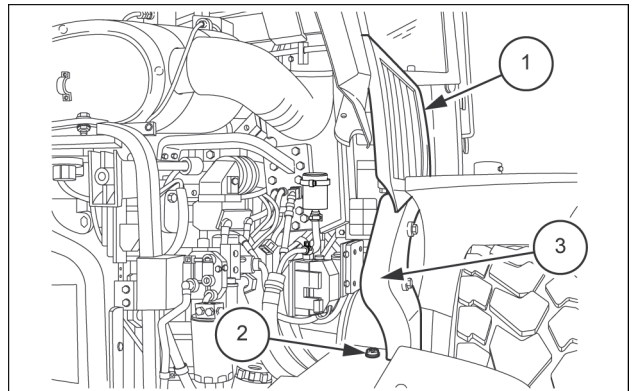
6. Unhook the rubber T-handle (1) and raise the upper panel (2). Make sure that the security levers are blocked.



LEIL13WHL0137AB 6

7. Raise both side panels (1). Then remove the thumb screws (2) and inner fender panels (3).

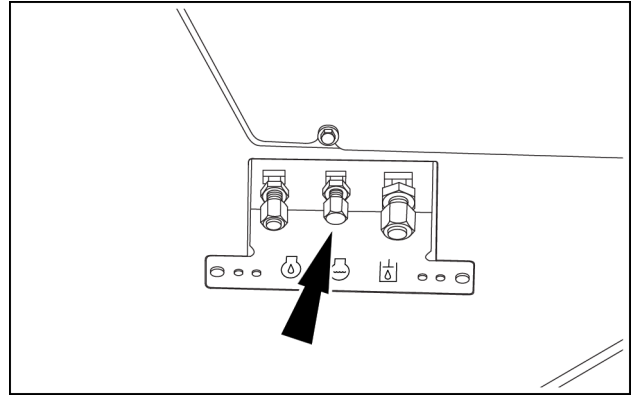
NOTE: right-hand side of the machine is shown. The operation is similar for the left-hand side.



LEIL13WHL0612AB 7

8. Place a suitable container below the radiator drain plug, remove the radiator cap and the radiator drain plug (see the arrow in figure) to drain the engine coolant. Then reinstall the radiator drain plug and the radiator cap after coolant has drained.

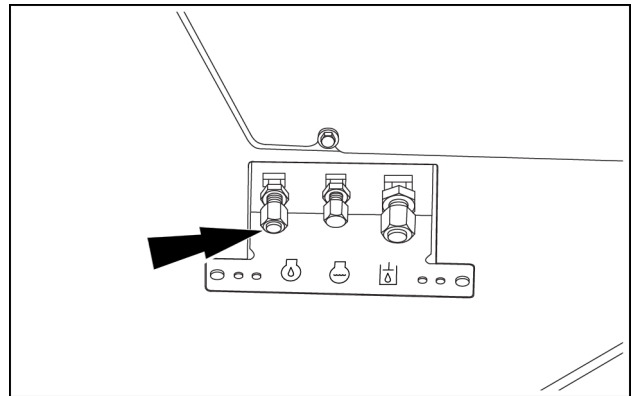
NOTE: see machine specifications for cooling system volume.



LEIL16WHL0198AA 8

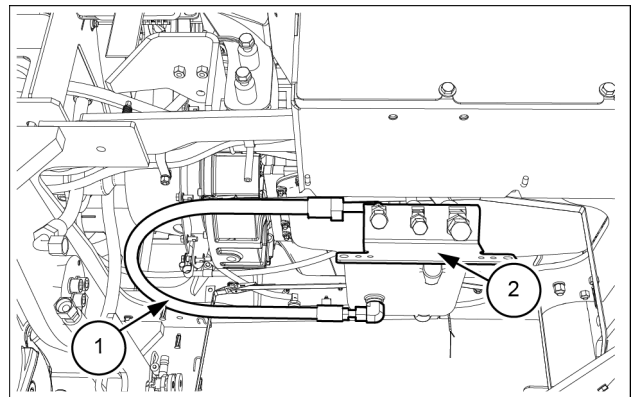
9. Place a suitable container below the engine oil drain plug (see the arrow in figure). Remove the engine oil drain plug and drain oil into container. Then reinstall the engine oil drain plug.

NOTE: see machine specifications for engine oil sump volume.



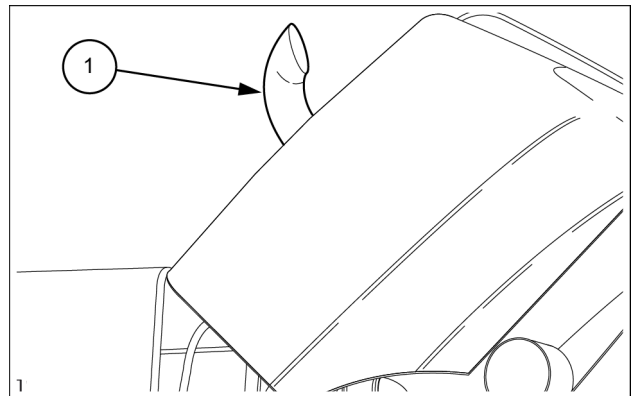
LEIL16WHL0198AA 9

10. Remove the drain hose (1) from the frame bracket (2).



LEIL16WHL1250AB 10

11. Double up a nylon lifting strap and slide through the exhaust stack (1) on the engine hood.



LEIL14WHL0400AB 11



Suggest:

If the above button click is invalid.

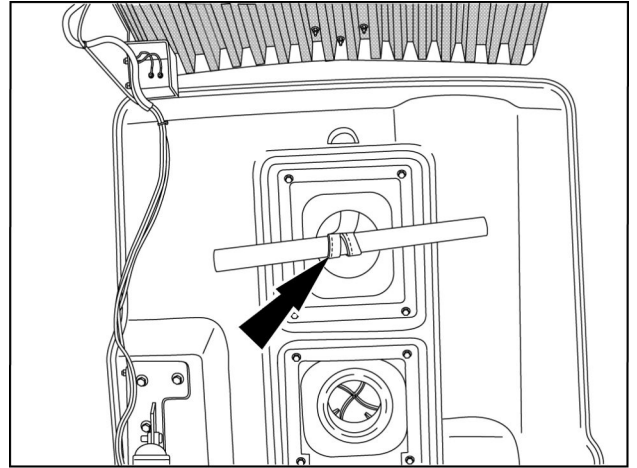
Please download this document

first, and then click the above link

to download the complete manual.

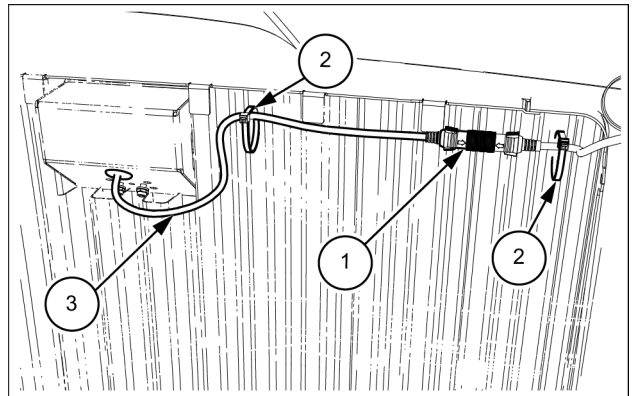
Thank you so much for reading

12. Place a solid steel bar or pipe through the strap loop inside the engine hood and attach the strap to a suitable lifting device.
Raise the engine hood with the strap to release tension on the lifting motor.



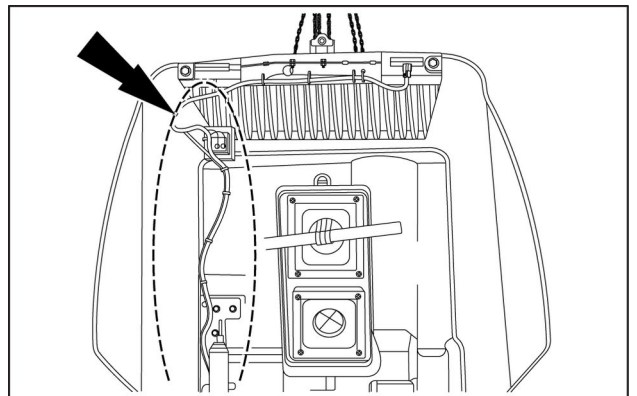
RAPH12WEL0600AA 12

13. If machine is equipped with a rearview camera, tag and disconnect the connector (1) of the rearview camera wire harness (3). Cut the wire ties (2) that hold the rearview camera wire harness (3) to the rear grill.



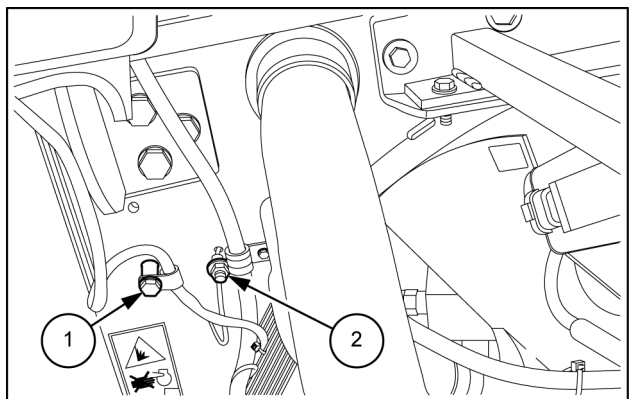
LEIL16WHL0849AB 13

14. Cut the wire ties and remove the rearview camera wire harness from the engine hood. Place the rearview camera wire harness off to the side in a safe location.



LEIL13WHL0140AB 14

15. Remove the engine hood wire harness clamp (1) from the cooler housing. Tag and remove the engine hood ground wire (2) from cooler housing.



LEIL13WHL0149AB 15

<https://www.ebooklibonline.com>

Hello dear friend!

Thank you very much for reading.

Enter the link into your browser.

The full manual is available for immediate download.

<https://www.ebooklibonline.com>