

SERVICE MANUAL

W50C / W60C / W70C / W80C

Tier 4A (interim)

Compact Wheel Loader

Part number 47829080C

1st edition English

April 2017





SERVICE MANUAL

W50C TC, W50C ZB, W60C TC, W60C ZB, W70C HS, W70C, W80C HS, W80C

Link Product / Engine

| Product | Market Product | Engine |
|---|----------------|----------------|
| W50C TC CWL W50C TIER 4 TOOL CARRIER | North America | F5HFL463B*F001 |
| W50C ZB CWL W50C TIER4 Z-BAR | North America | F5HFL463B*F001 |
| W60C TC | North America | F5HFL463C*F001 |
| W60C ZB | North America | F5HFL463C*F001 |
| W70C CWL W70C TIER4 Z-BAR STD | North America | F5HFL463A*F001 |
| W70C HS CWL W70C TIER4 HIGH SPEED | North America | F5HFL463A*F001 |
| W80C CWL W80C TIER4 Z-BAR STD | North America | F5HFL463A*F001 |
| W80C HS CWL W80C TIER4 HIGH SPEED | North America | F5HFL463A*F001 |

<https://www.ebooklibonline.com>

Hello dear friend!

Thank you very much for reading.

Enter the link into your browser.

The full manual is available for immediate download.

<https://www.ebooklibonline.com>

Contents

INTRODUCTION

| | |
|---|------|
| Engine..... | 10 |
| [10.001] Engine and crankcase | 10.1 |
| [10.216] Fuel tanks | 10.2 |
| Four-Wheel Drive (4WD) system | 23 |
| [23.314] Drive shaft..... | 23.1 |
| Front axle system | 25 |
| [25.100] Powered front axle | 25.1 |
| [25.102] Front bevel gear set and differential | 25.2 |
| [25.108] Final drive hub, steering knuckles, and shafts | 25.3 |
| Rear axle system..... | 27 |
| [27.100] Powered rear axle..... | 27.1 |
| [27.106] Rear bevel gear set and differential | 27.2 |
| [27.120] Planetary and final drives | 27.3 |
| [27.124] Final drive hub, steering knuckles, and shafts | 27.4 |
| Hydrostatic drive..... | 29 |
| [29.100] Transmission and steering hydrostatic control | 29.1 |
| Brakes and controls | 33 |
| [33.202] Hydraulic service brakes | 33.1 |
| [33.110] Parking brake or parking lock | 33.2 |
| [33.204] Front axle brake | 33.3 |
| Hydraulic systems..... | 35 |
| [35.000] Hydraulic systems..... | 35.1 |
| [35.300] Reservoir, cooler, and filters..... | 35.2 |
| [35.104] Fixed displacement pump..... | 35.3 |
| [35.106] Variable displacement pump | 35.4 |

| | |
|--|-----------|
| [35.359] Main control valve | 35.5 |
| [35.357] Pilot system | 35.6 |
| [35.525] Auxiliary hydraulic valves and lines | 35.7 |
| [35.600] High flow hydraulics | 35.8 |
| [35.355] Hydraulic hand control | 35.9 |
| [35.353] Hydraulic travel system | 35.10 |
| [35.701] Front loader arm hydraulic system | 35.11 |
| [35.723] Front loader bucket hydraulic system | 35.12 |
| [35.734] Tool quick coupler hydraulic system | 35.13 |
| Frames and ballasting | 39 |
| [39.100] Frame | 39.1 |
| [39.140] Ballasts and supports | 39.2 |
| Steering..... | 41 |
| [41.101] Steering control | 41.1 |
| [41.200] Hydraulic control components..... | 41.2 |
| [41.216] Cylinders | 41.3 |
| Cab climate control | 50 |
| [50.100] Heating..... | 50.1 |
| [50.200] Air conditioning..... | 50.2 |
| Electrical systems | 55 |
| [55.000] Electrical system | 55.1 |
| [55.100] Harnesses and connectors..... | 55.2 |
| [55.045] Front axle control system | 55.3 |
| [55.050] Heating, Ventilation, and Air-Conditioning (HVAC) control system..... | 55.4 |
| [55.408] Warning indicators, alarms, and instruments | 55.5 |
| [55.DTC] FAULT CODES..... | 55.6 |
| Front loader and bucket..... | 82 |
| [82.100] Arm..... | 82.1 |

| | |
|---|------|
| [82.300] Bucket | 82.2 |
| Platform, cab, bodywork, and decals | 90 |
| [90.150] Cab | 90.1 |



INTRODUCTION

Basic instructions - Important notice regarding equipment servicing

All repair and maintenance work listed in this manual must be carried out only by qualified dealership personnel, strictly complying with the instructions given, and using, whenever possible, the special tools.

Anyone who performs repair and maintenance operations without complying with the procedures provided herein shall be responsible for any subsequent damages.

The manufacturer and all the organizations of its distribution chain, including - without limitation - national, regional, or local dealers, reject any responsibility for damages caused by parts and/or components not approved by the manufacturer, including those used for the servicing or repair of the product manufactured or marketed by the manufacturer. In any case, no warranty is given or attributed on the product manufactured or marketed by the manufacturer in case of damages caused by parts and/or components not approved by the manufacturer.

The information in this manual is up-to-date at the date of the publication. It is the policy of the manufacturer for continuous improvement. Some information could not be updated due to modifications of a technical or commercial type, or changes to the laws and regulations of different countries.

In case of questions, refer to your NEW HOLLAND CONSTRUCTION Sales and Service Networks.

Basic instructions - Shop and assembly

Shimming

For each adjustment operation, select adjusting shims and measure the adjusting shims individually using a micrometer, then add up the recorded values. Do not rely on measuring the entire shimming set, which may be incorrect, or the rated value shown on each shim.

Rotating shaft seals

For correct rotating shaft seal installation, proceed as follows:

1. Before assembly, allow the seal to soak in the oil it will be sealing for at least thirty minutes.
2. Thoroughly clean the shaft and check that the working surface on the shaft is not damaged.
3. Position the sealing lip facing the fluid.

NOTE: *With hydrodynamic lips, take into consideration the shaft rotation direction and position the grooves so that they will move the fluid towards the inner side of the seal.*

4. Coat the sealing lip with a thin layer of lubricant (use oil rather than grease). Fill the gap between the sealing lip and the dust lip on double lip seals with grease.
5. Insert the seal in its seat and press down using a flat punch or seal installation tool. Do not tap the seal with a hammer or mallet.
6. While you insert the seal, check that the seal is perpendicular to the seat. When the seal settles, make sure that the seal makes contact with the thrust element, if required.
7. To prevent damage to the seal lip on the shaft, position a protective guard during installation operations.

O-ring seals

Lubricate the O-ring seals before you insert them in the seats. This will prevent the O-ring seals from overturning and twisting, which would jeopardize sealing efficiency.

Sealing compounds

Apply a sealing compound on the mating surfaces when specified by the procedure. Before you apply the sealing compound, prepare the surfaces as directed by the product container.

Spare parts

Only use CNH Original Parts or NEW HOLLAND CONSTRUCTION Original Parts.

Only genuine spare parts guarantee the same quality, duration, and safety as original parts, as they are the same parts that are assembled during standard production. Only CNH Original Parts or NEW HOLLAND CONSTRUCTION Original Parts can offer this guarantee.

When ordering spare parts, always provide the following information:

- Machine model (commercial name) and Product Identification Number (PIN)
- Part number of the ordered part, which can be found in the parts catalog

Protecting the electronic and/or electrical systems during charging and welding

To avoid damage to the electronic and/or electrical systems, always observe the following practices:

1. Never make or break any of the charging circuit connections when the engine is running, including the battery connections.
2. Never short any of the charging components to ground.
3. Always disconnect the ground cable from the battery before arc welding on the machine or on any machine attachment.
 - Position the welder ground clamp as close to the welding area as possible.
 - If you weld in close proximity to a computer module, then you should remove the module from the machine.
 - Never allow welding cables to lie on, near, or across any electrical wiring or electronic component while you weld.
4. Always disconnect the negative cable from the battery when charging the battery in the machine with a battery charger.

NOTICE: *If you must weld on the unit, you must disconnect the battery ground cable from the machine battery. The electronic monitoring system and charging system will be damaged if this is not done.*

5. Remove the battery ground cable. Reconnect the cable when you complete welding.

Special tools

WARNING

Battery acid causes burns. Batteries contain sulfuric acid.

Avoid contact with skin, eyes or clothing. Antidote (external): Flush with water. Antidote (eyes): flush with water for 15 minutes and seek medical attention immediately. Antidote (internal): Drink large quantities of water or milk. Do not induce vomiting. Seek medical attention immediately.

Failure to comply could result in death or serious injury.

W0111A

The special tools that NEW HOLLAND CONSTRUCTION suggests and illustrate in this manual have been specifically researched and designed for use with NEW HOLLAND CONSTRUCTION machines. The special tools are essential for reliable repair operations. The special tools are accurately built and rigorously tested to offer efficient and long-lasting operation.

By using these tools, repair personnel will benefit from:

- Operating in optimal technical conditions
- Obtaining the best results
- Saving time and effort
- Working in safe conditions

Safety rules


Personal safety





This is the safety alert symbol. It is used to alert you to potential personal injury hazards. Obey all safety messages that follow this symbol to avoid possible death or injury.

Throughout this manual you will find the signal words **DANGER**, **WARNING**, and **CAUTION** followed by special instructions. These precautions are intended for the personal safety of you and those working with you.

Read and understand all the safety messages in this manual before you operate or service the machine.

 **DANGER** indicates a hazardous situation which, if not avoided, will result in death or serious injury.

 **WARNING** indicates a hazardous situation which, if not avoided, could result in death or serious injury.

 **CAUTION**, used with the safety alert symbol, indicates a hazardous situation which, if not avoided, could result in minor or moderate injury.

FAILURE TO FOLLOW DANGER, WARNING, AND CAUTION MESSAGES COULD RESULT IN DEATH OR SERIOUS INJURY.

Machine safety

NOTICE: *Notice indicates a situation which, if not avoided, could result in machine or property damage.*

Throughout this manual you will find the signal word **Notice** followed by special instructions to prevent machine or property damage. The word **Notice** is used to address practices not related to personal safety.

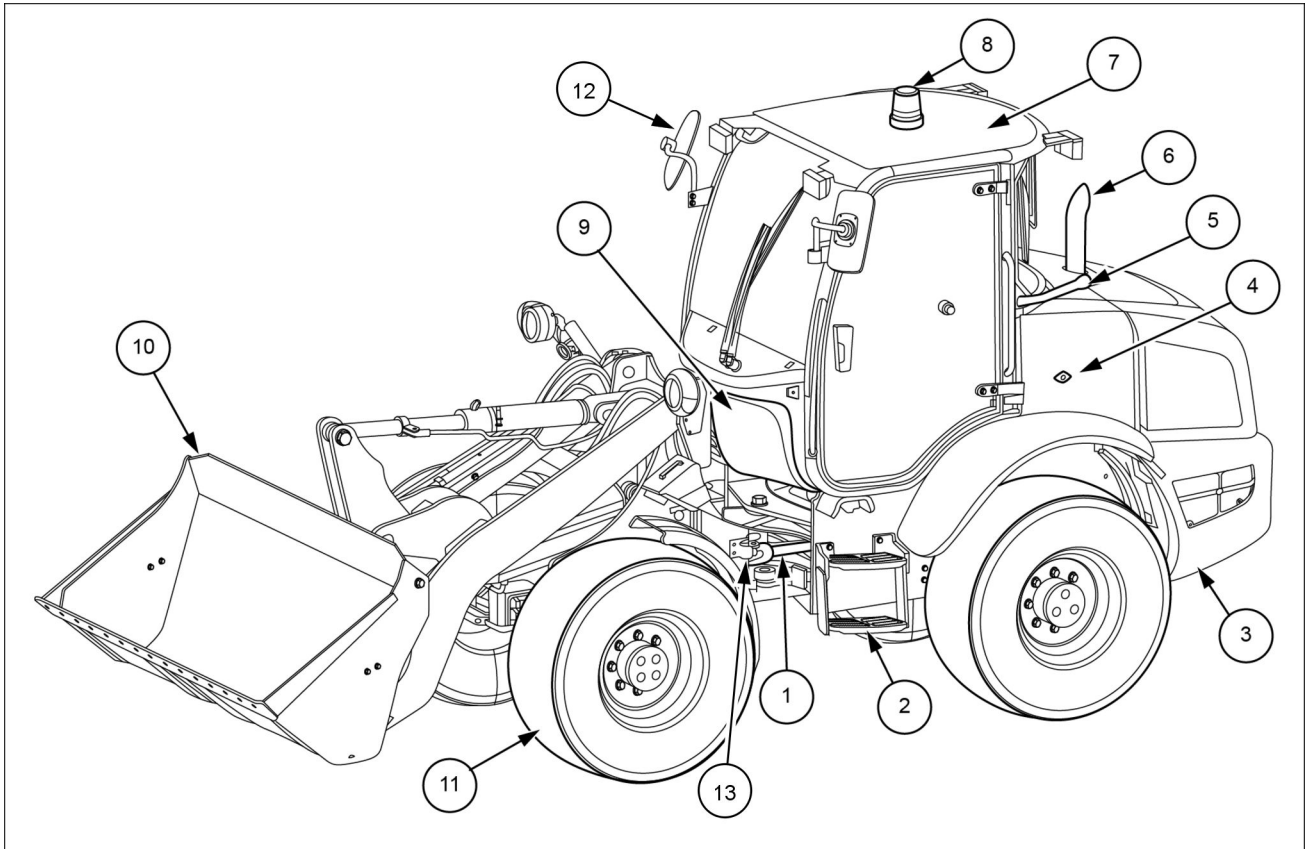
Information

NOTE: *Note indicates additional information which clarifies steps, procedures, or other information in this manual.*

Throughout this manual you will find the word **Note** followed by additional information about a step, procedure, or other information in the manual. The word **Note** is not intended to address personal safety or property damage.

Product identification - Machine components

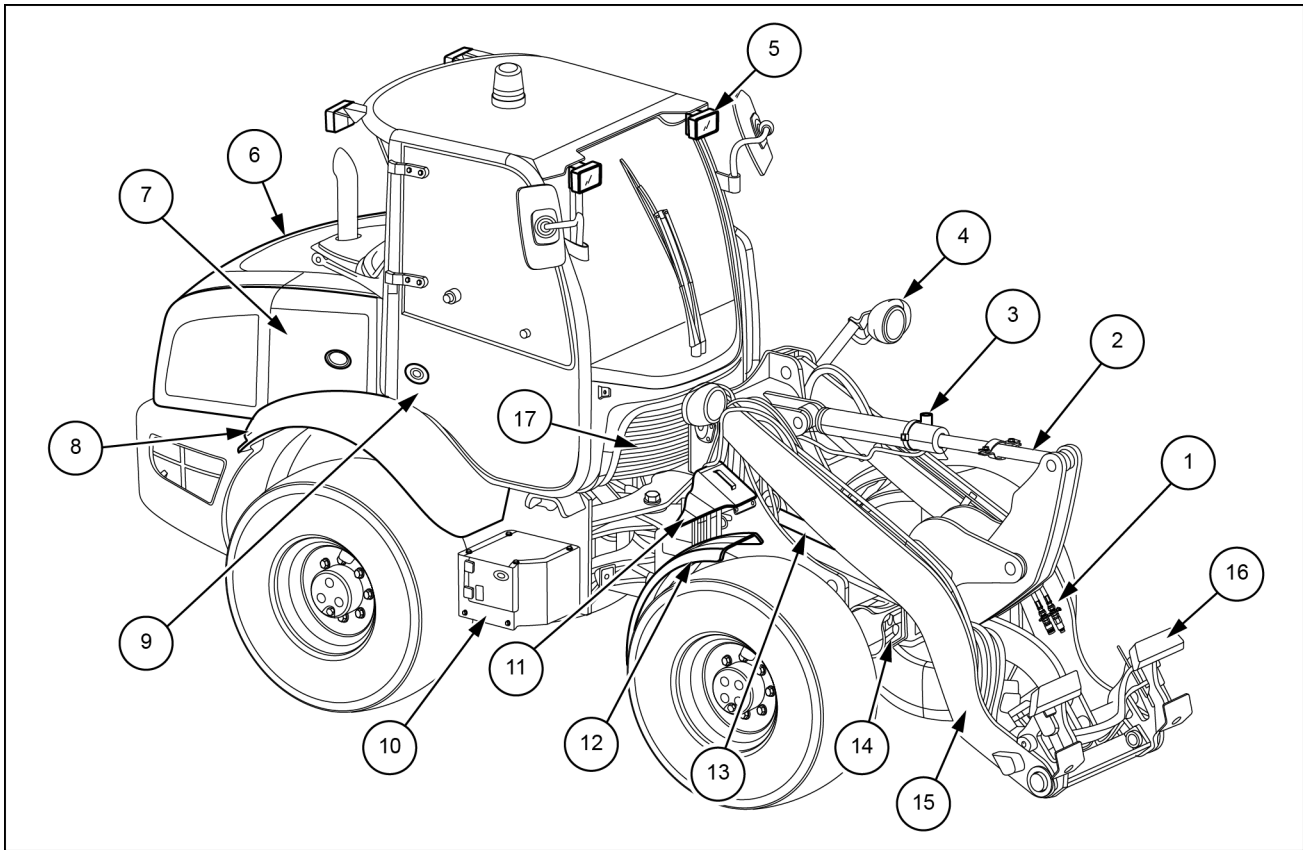
Left-hand side



LEIL15CWL0334FB 1

- | | |
|---|-----------------------------|
| 1. Steering cylinder | 8. Rotary beacon (optional) |
| 2. Access steps to cab (one step for W50C and W60C) | 9. Cab air filter access |
| 3. Counterweight | 10. Bucket |
| 4. Fuel tank and engine coolant reservoir access | 11. Wheels |
| 5. Cab door locking pin | 12. Mirrors |
| 6. Final tail | 13. Transport safety pin |
| 7. Roll Over Protection Structure (ROPS) and Falling Objects Protective Structure (FOPS) cab (standard or deluxe cab) | |

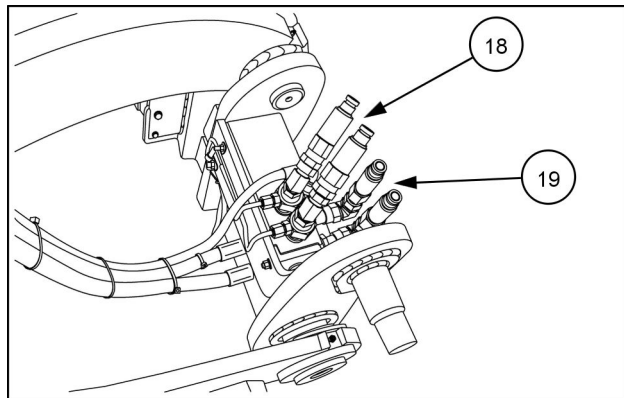
Right-hand side



LEIL15CWL0305FB 2

- | | |
|------------------------------------|---|
| 1. High Flow (optional) | 10. Battery compartment |
| 2. Tilt cylinder | 11. Wheel chocks |
| 3. Return-to-dig (optional) | 12. Front fender |
| 4. Driving lights | 13. Lift cylinders |
| 5. Work lights (optional) | 14. Axles |
| 6. Engine hood | 15. Lift arm |
| 7. Hydraulic oil tank access panel | 16. Quick Coupler (Skid Steer Loader version) |
| 8. Rear fender | 17. Brake oil tank access panel |
| 9. Fuse and relay access | |

18. 3rd hydraulic function (Horizontal Pin version)
 19. 4th hydraulic function (Horizontal Pin version)



LEIL15CWL0101AA 3



SERVICE MANUAL

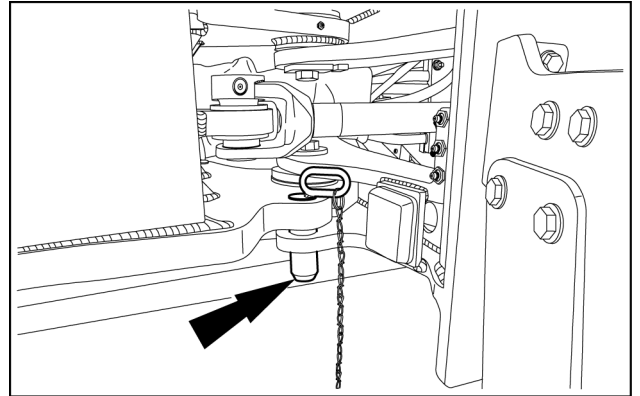
Engine

W50C TC, W50C ZB, W60C TC, W60C ZB, W70C HS, W70C, W80C HS, W80C

Engine - Remove

NOTE: Emissions sensors mounted in the exhaust stream are sensitive to extreme vibrations. Use of tools that generate extreme vibrations, such as impact wrenches and hammers, will result in damage to emission sensors. Avoid using these tools during any service procedure in close proximity of emission sensors. If the use of these tools cannot be avoided, remove the sensors using extreme caution prior to performing any service procedure.

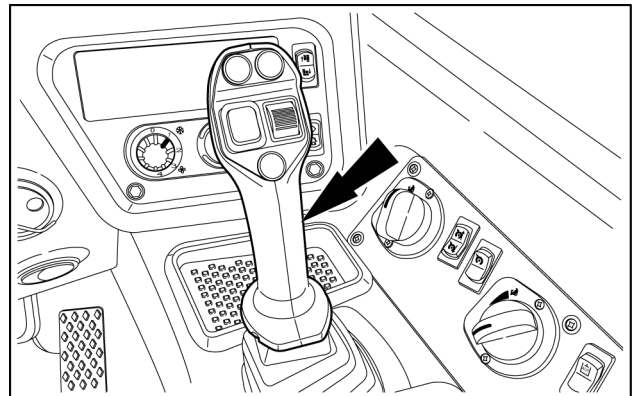
1. Park the machine on firm, level ground, lower the bucket/attachment to the ground.
Drive the machine into such a position that the bores of the holders are aligned one above the other. Then secure with the pin (arrow). The pin is located inside the support on the frame.
Stop the engine.



LEIL14CWL0005AB 1

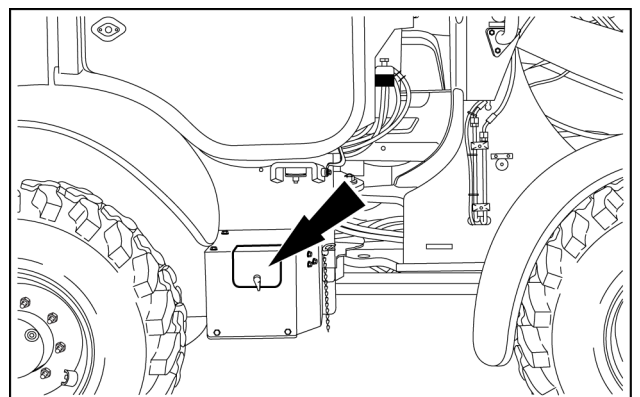
2. Keep all non-authorized personnel clear of the machine. Turn the ignition switch key to the "ON" position.
3. Move the joystick slowly forward and backward and from the right-hand to the left-hand approximately a dozen times. Turn the ignition key to the OFF position.

NOTE: before carrying out any service work on the hydraulic system, it is necessary to allow the system to cool: the temperature should not be more than **40 °C (104.0 °F)**.



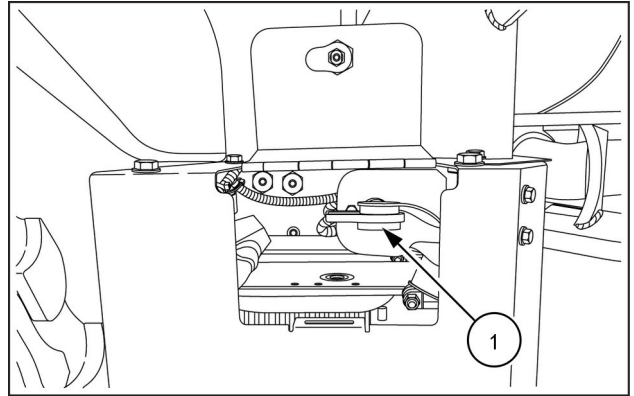
LEIL14CWL0003AB 2

4. Open the outer panel to access the battery main switch. The battery main switch box is located on the right-hand side of the machine, below the operator's compartment.



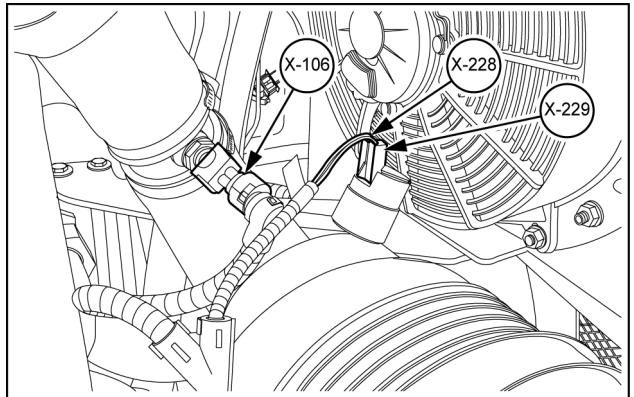
LEIL14CWL0015AB 3

- Put the battery main switch **(1)** in the OFF position.



LEIL14CWL0017AA 4

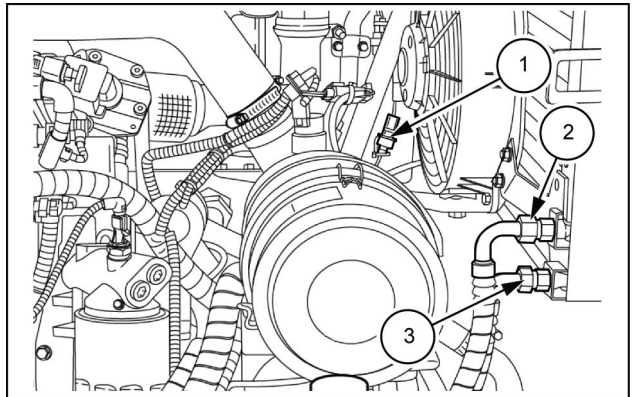
- Disconnect the wiring harness (X-228) and (X-229) from the engine air filter. Disconnect the wiring harness (X-106) from the air temperature sensor.



LEIL14CWL0171AB 5

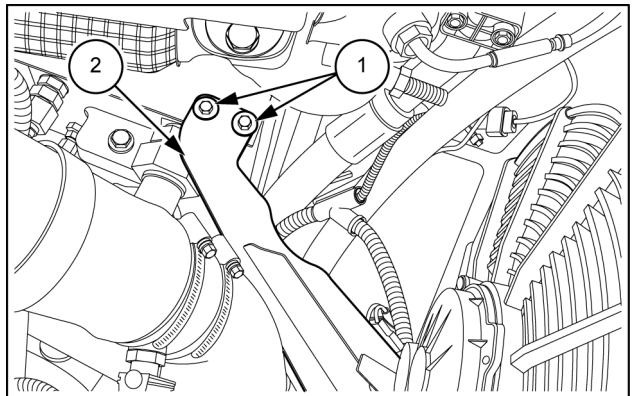
Versions with air conditioning

- Drain the air conditioning system and disconnect the fan electrical connector **(1)**. Tag and disconnect the condenser hoses **(2)** and **(3)**.



LEIL14CWL0159A 6

- Remove the two lower bolts **(1)** of the condenser bracket **(2)**.



LEIL14CWL0160AB 7



Suggest:

If the above button click is invalid.

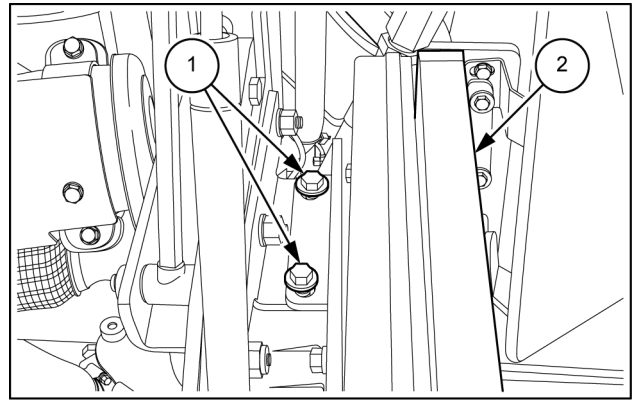
Please download this document

first, and then click the above link

to download the complete manual.

Thank you so much for reading

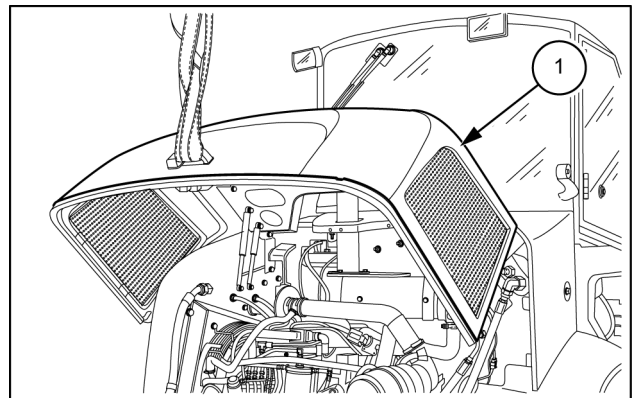
3. Remove the two upper bolts (1) of the condenser.
Remove the condenser (2).



LEIL14CWL0161AB 8

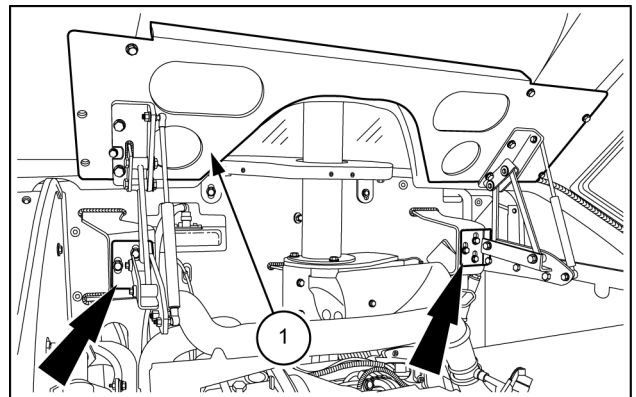
All versions

1. Secure the engine hood (1) with the nylon lifting strap.



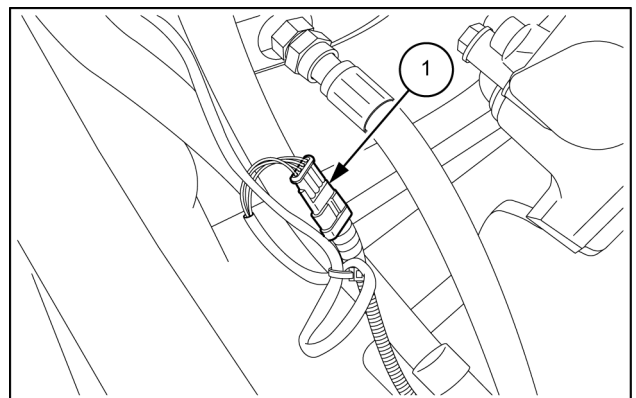
LEIL14CWL0216AB 9

2. Have another person to balance the hood and remove the hood hinge mounting bolts (arrows) from the machine structure.
Carefully raise and remove the engine hood (1) from loader. Lower the engine hood onto suitable platform and disconnect lifting equipment.



LEIL14CWL0162AB 10

3. Tag and disconnect the left rear light connector (1).
Repeat this operation for the right rear light connector.



LEIL14CWL0163AB 11

<https://www.ebooklibonline.com>

Hello dear friend!

Thank you very much for reading.

Enter the link into your browser.

The full manual is available for immediate download.

<https://www.ebooklibonline.com>