



SERVICE MANUAL



T6010 , T6020 , T6030 , T6040 , T6050 , T6060 , T6070

Contents

INTRODUCTION

HYDRAULIC - PNEUMATIC - ELECTRICAL - ELECTRONIC SYSTEMS A

PRIMARY HYDRAULIC POWER SYSTEM.....	A.10.A
PRIMARY HYDRAULIC POWER SYSTEM Closed center mechanical remote valve	A.10.B
PRIMARY HYDRAULIC POWER SYSTEM Electro-hydraulic remote valve.....	A.10.C
PRIMARY HYDRAULIC POWER SYSTEM Open center mechanical remote valve.....	A.10.D
SECONDARY HYDRAULIC POWER SYSTEM.....	A.12.A
HYDRAULIC COMMAND SYSTEM.....	A.14.A
ELECTRICAL POWER SYSTEM	A.30.A
ELECTRONIC SYSTEM	A.50.A
FAULT CODES	A.50.A

ENGINE AND PTO IN B

ENGINE	B.10.A
FUEL AND INJECTION SYSTEM.....	B.20.A
AIR INTAKE SYSTEM.....	B.30.A
EXHAUST SYSTEM.....	B.40.A
ENGINE COOLANT SYSTEM	B.50.A
STARTING SYSTEM	B.80.A

TRANSMISSION, DRIVE AND PTO OUT C

POWER COUPLING Clutch.....	C.10.C
TRANSMISSION Mechanical	C.20.B
TRANSMISSION Power Shuttle.....	C.20.C
TRANSMISSION Semi-Powershift	C.20.D
ADDITIONAL REDUCERS Creeper.....	C.30.C
ADDITIONAL REDUCERS Overdrive	C.30.D
REAR PTO Hydraulic.....	C.40.C
FRONT PTO Hydraulic	C.42.C

AXLES, BRAKES AND STEERING..... D

FRONT AXLE	D.10.A
------------------	--------

REAR AXLE	D.12.A
2WD-4WD SYSTEM Hydraulic	D.14.C
STEERING Hydraulic	D.20.C
SERVICE BRAKE Hydraulic	D.30.C
PARKING BRAKE Mechanical	D.32.B
BRAKE CONNECTION Hydraulic	D.34.C
SUSPENSION Hydraulic	D.40.C
WHEELS AND TRACKS Wheels	D.50.C
FRAME AND CAB	E
FRAME Primary frame	E.10.B
SHIELD	E.20.A
USER CONTROLS AND SEAT	E.32.A
USER PLATFORM	E.34.A
ENVIRONMENT CONTROL Heating, ventilation and air-conditioning	E.40.D
HITCH AND WORKING TOOL	H
HITCH Front hitch	H.10.B
HITCH Rear hitch	H.10.C
HITCH Electronic draft control	H.10.D

<https://www.ebooklibonline.com>

Hello dear friend!

Thank you very much for reading.

Enter the link into your browser.

The full manual is available for immediate download.

<https://www.ebooklibonline.com>



INTRODUCTION

Contents

INTRODUCTION

Foreword	3
Safety rules	9
Torque	21
Consumables Lubrications and Coolants	25
Capacities	27

Foreword

Technical Information

This manual has been produced by a new technical information system. This new system is designed to deliver technical information electronically through CD-ROM and in paper manuals. A coding system called ICE has been developed to link the technical information to other Product Support functions e.g. Warranty.

Technical information is written to support the maintenance and service of the functions or systems on a customer's machine. When a customer has a concern on his machine it is usually because a function or system on his machine is not working at all, is not working efficiently, or is not responding correctly to his commands. When you refer to the technical information in this manual to resolve that customer's concern, you will find all the information classified using the new ICE coding, according to the functions or systems on that machine. Once you have located the technical information for that function or system then you will find all the mechanical, electrical or hydraulic devices, components, assemblies and sub assemblies for that function or system. You will also find all the types of information that have been written for that function or system, the technical data (specifications), the functional data (how it works), the diagnostic data (fault codes and troubleshooting) and the service data (remove, install adjust, etc.).

By integrating this new ICE coding into technical information, you will be able to search and retrieve just the right piece of technical information you need to resolve that customer's concern on his machine. This is made possible by attaching 3 categories to each piece of technical information during the authoring process.

The first category is the Location, the second category is the Information Type and the third category is the Product:

- LOCATION - is the component or function on the machine, that the piece of technical information is going to describe e.g. Fuel tank.
- INFORMATION TYPE - is the piece of technical information that has been written for a particular component or function on the machine e.g. Capacity would be a type of Technical Data that would describe the amount of fuel held by the Fuel tank.
- PRODUCT - is the model that the piece of technical information is written for.

Every piece of technical information will have those 3 categories attached to it. You will be able to use any combination of those categories to find the right piece of technical information you need to resolve that customer's concern on his machine.

That information could be:

- the description of how to remove the cylinder head
- a table of specifications for a hydraulic pump
- a fault code
- a troubleshooting table
- a special tool

How to Use this Manual

This manual is divided into Sections. Each Section is then divided into Chapters. Contents pages are included at the beginning of the manual, then inside every Section and inside every Chapter. An alphabetical Index is included at the end of a Chapter. Page number references are included for every piece of technical information listed in the Chapter Contents or Chapter Index.

Each Chapter is divided into four Information types:

- Technical Data (specifications) for all the mechanical, electrical or hydraulic devices, components and, assemblies.
- Functional Data (how it works) for all the mechanical, electrical or hydraulic devices, components and assemblies.
- Diagnostic Data (fault codes, electrical and hydraulic troubleshooting) for all the mechanical, electrical or hydraulic devices, components and assemblies.
- Service data (remove disassembly, assemble, install) for all the mechanical, electrical or hydraulic devices, components and assemblies.

Sections

Sections are grouped according to the main functions or a systems on the machine. Each Section is identified by a letter A, B, C etc. The amount of Sections included in the manual will depend on the type and function of the machine that the manual is written for. Each Section has a Contents page listed in alphabetic/numeric order. This table illustrates which Sections could be included in a manual for a particular product.

PRODUCT	SECTION										
	A - Distribution Systems										
	B - Power Production										
	C - Power Train										
	D - Travelling										
	E - Body and Structure										
	F - Frame Positioning										
	G - Tool Positioning										
	H - Working Arm										
	J - Tools and Couplers										
	K - Crop Processing										
L - Field Processing											
Tractors	X	X	X	X	X	X		X	X		
Vehicles with working arms: backhoes, excavators, skid steers,	X	X	X	X	X	X	X	X	X		
Combines, forage harvesters, balers,	X	X	X	X	X	X	X	X	X	X	
Seeding, planting, floating, spraying equipment,	X	X	X	X	X	X	X		X		X
Mounted equipment and tools,					X	X	X		X		



SERVICE MANUAL

HYDRAULIC - PNEUMATIC - ELECTRICAL - ELECTRONIC SYSTEMS



T6010 , T6020 , T6030 , T6040 , T6050 , T6060 , T6070

Contents

HYDRAULIC - PNEUMATIC - ELECTRICAL - ELECTRONIC SYSTEMS - A

PRIMARY HYDRAULIC POWER SYSTEM.....	A.10.A
T6010 , T6020 , T6030 , T6040 , T6050 , T6060 , T6070	
PRIMARY HYDRAULIC POWER SYSTEM Closed center mechanical remote valve	A.10.B
T6010 , T6020 , T6030 , T6040 , T6050 , T6060 , T6070	
PRIMARY HYDRAULIC POWER SYSTEM Electro-hydraulic remote valve	A.10.C
T6010 , T6020 , T6030 , T6040 , T6050 , T6060 , T6070	
PRIMARY HYDRAULIC POWER SYSTEM Open center mechanical remote valve.....	A.10.D
T6010 , T6020 , T6030 , T6040 , T6050 , T6060 , T6070	
SECONDARY HYDRAULIC POWER SYSTEM.....	A.12.A
T6010 , T6020 , T6030 , T6040 , T6050 , T6060 , T6070	
HYDRAULIC COMMAND SYSTEM.....	A.14.A
T6010 , T6020 , T6030 , T6040 , T6050 , T6060 , T6070	
ELECTRICAL POWER SYSTEM	A.30.A
T6010 , T6020 , T6030 , T6040 , T6050 , T6060 , T6070	
ELECTRONIC SYSTEM	A.50.A
T6010 , T6020 , T6030 , T6040 , T6050 , T6060 , T6070	
FAULT CODES	A.50.A
T6010 , T6020 , T6030 , T6040 , T6050 , T6060 , T6070	



HYDRAULIC - PNEUMATIC - ELECTRICAL - ELECTRONIC SYSTEMS - A

PRIMARY HYDRAULIC POWER SYSTEM - 10.A

T6010 , T6020 , T6030 , T6040 , T6050 , T6060 , T6070

Contents

HYDRAULIC - PNEUMATIC - ELECTRICAL - ELECTRONIC SYSTEMS - A

PRIMARY HYDRAULIC POWER SYSTEM - 10.A

TECHNICAL DATA

PRIMARY HYDRAULIC POWER SYSTEM

Torque	4
Special tools	4
Hydraulic pump	
Fixed displacement pump - General specification	6
Fixed displacement pump - Torque	6
Variable displacement pump - General specification	6
Variable displacement pump - Torque	7
Charge pump	
General specification	9

FUNCTIONAL DATA

PRIMARY HYDRAULIC POWER SYSTEM

Overview - Variable Displacement Pump High Pressure Hydraulic Circuit 16 x 16 Models.	10
Static description	15
Overview - Variable Displacement Pump High Pressure Hydraulic Circuit 24 x 24 Models.	35
Overview - Fixed Displacement Pump Hydraulic Circuit 12 x 12 and 24 x 24 Models	39
Hydraulic schema	42
Hydraulic schema (16x16 CCLS with Electronic Draft Control)	48
Hydraulic schema (16x16 CCLS with Mechanical Draft Control)	50
Hydraulic schema (24x24 CCLS with Electronic Draft Control)	52
Hydraulic pump	
Fixed displacement pump - Static description	55
Fixed displacement pump - Overview	56
Fixed displacement pump - Exploded view	57
Variable displacement pump - Static description	58
Variable displacement pump - Overview	59
Variable displacement pump - Exploded view	60
Variable displacement pump - Dynamic description	61
Variable displacement pump - Dynamic description (System description CCLS)	64
Charge pump	
Exploded view	76

Compensator

Exploded view	78
---------------------	----

SERVICE

Hydraulic pump

Fixed displacement pump - Remove	79
Fixed displacement pump - Overhaul	82
Fixed displacement pump - Visual inspection	83
Variable displacement pump - Remove	84
Variable displacement pump - Overhaul	86
Variable displacement pump - Replace (Input shaft seal)	92
Variable displacement pump - Install	94
Variable displacement pump - Pressure test	96
Variable displacement pump - Flow test	100
Test (Air Ingress)	101

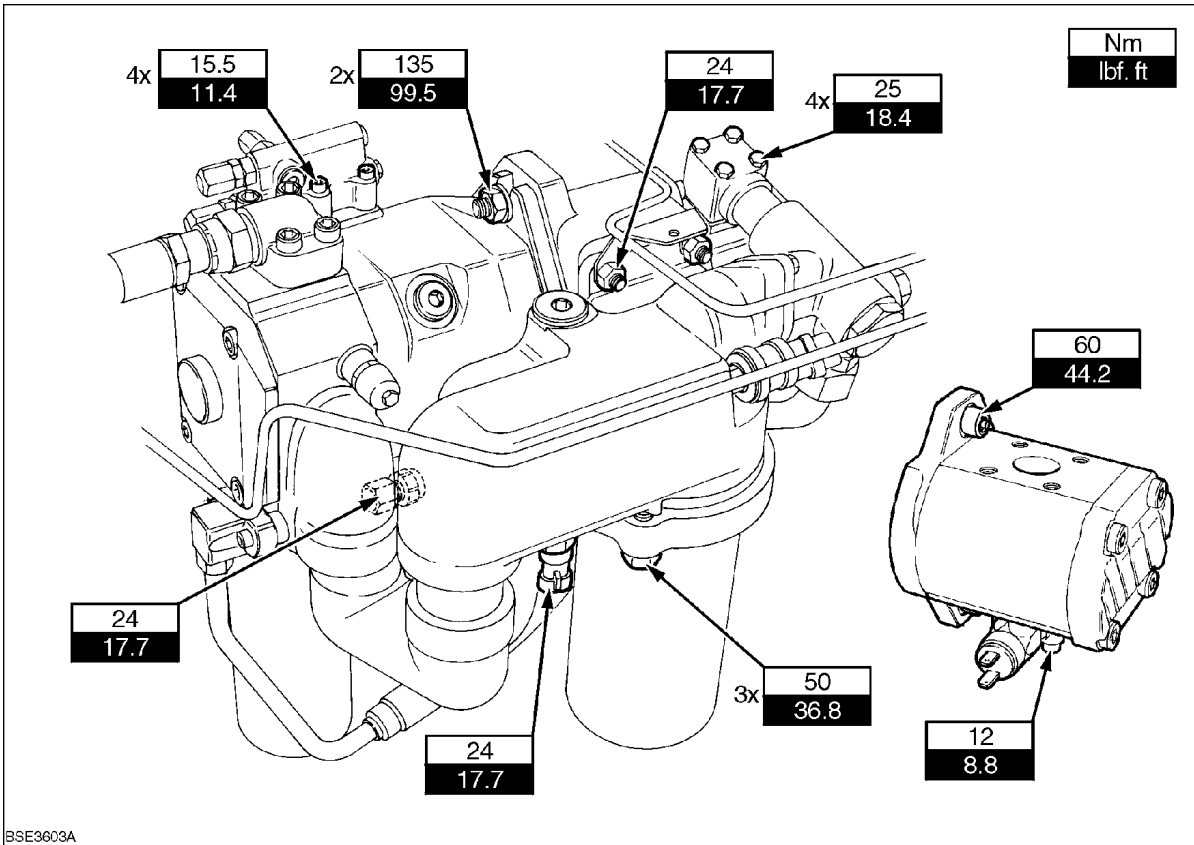
Charge pump

Overhaul	103
----------------	-----

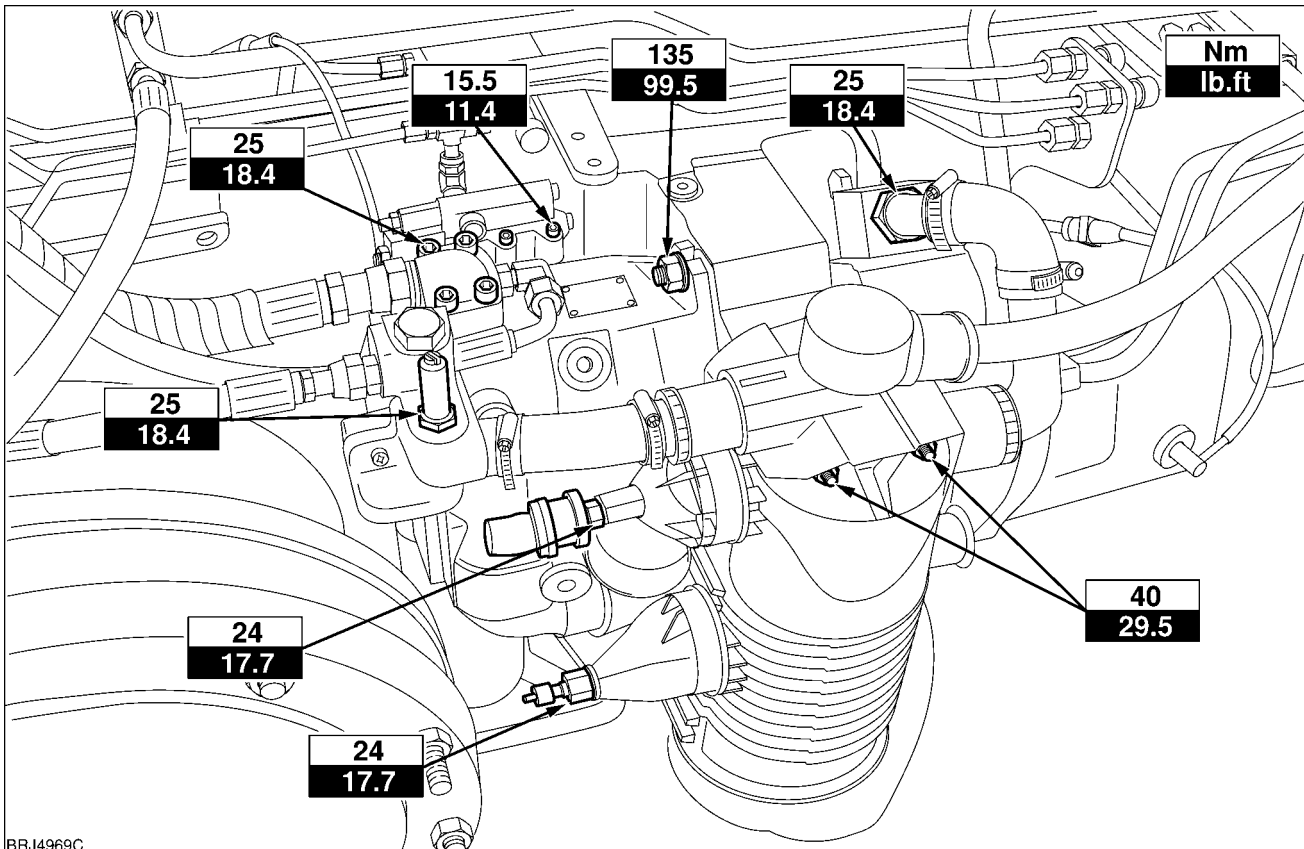
Compensator

Overhaul	105
----------------	-----

PRIMARY HYDRAULIC POWER SYSTEM - Torque



BSE3603A 1



BRJ4969C 2

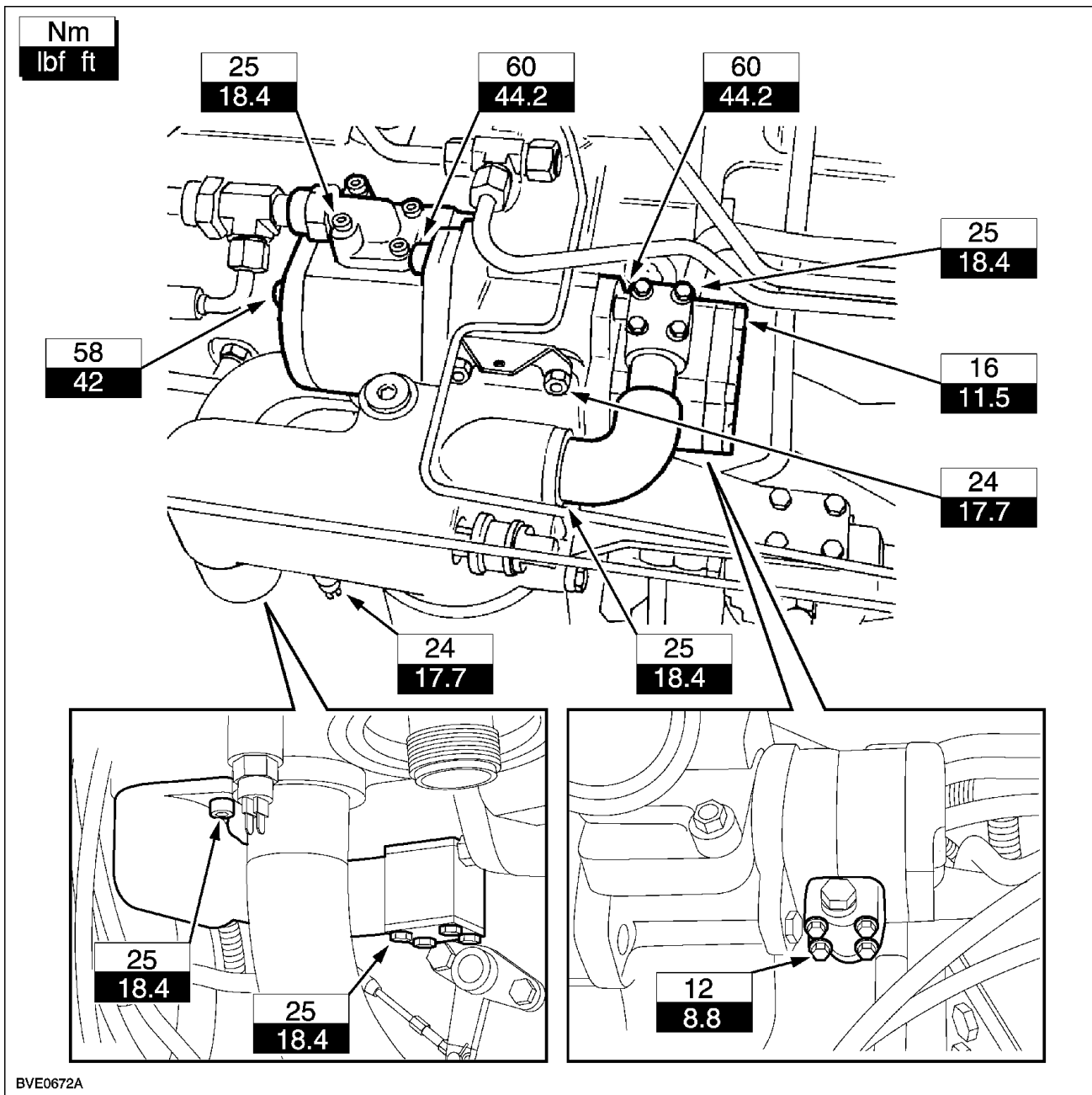
PRIMARY HYDRAULIC POWER SYSTEM - Special tools

DESCRIPTION	PART NUMBER	Previous part number
Tee adaptor 11/16 ORFS female x 11/16 ORFS male x 7/16 UNF female	380000570*	297600*
Adaptor M10 banjo x 7/16 UNF female	380000572*	297602*
Adaptor 7/16 UNF female x M12 x 1.5p male	380000577*	297607*
Adaptor 7/16 UNF male	380000999	292928#
Adaptor M14 banjo x M14 x 1.5p female	380000579*	297609*
Tee adaptor 7/16 UNF female x 1/4 BSP hose tail x 1/2 hose	380000580*	297610*
7/16 UNF male Quick release adaptor	380000492	297240*
Adaptor M10 x 1.0p x 7/16 UNF female	380000493	297404*
Hand pump	380000215	
Lift relief valve fitting	380000217	
90 quick release fitting with adaptor M8 x 1.0 male	380001146.	297241
Blanking Cap 11/16 ORFS	380000599*	297671*
Pressure Gauge 0–10 bar	380000551#	293241#
Pressure Gauge 0–27 bar	3800001145	297167
Pressure Gauge 0–40 bar (5 off)	380000552#	293242#
Pressure Gauge 0–250 bar	380000553 #	293244#
Remote valve coupling	380000554#	5101741 or 293449#
Quick release adaptor	380000543	291924
Pressure gauge hose	380000545#	292246#
1/8 NPT fitting to attach hose 292246 to gauge	380000544#	291927#
T–adaptor 13/16 ORFS female x 13/16 ORFS male x 7/16 UNF female	380000842.	
Adaptor M10 x 1.0p x 7/16 JIC male (enables use of gauges with 7/16 JIC hoses if used)	380000494	297417
diagnostic switch	380000488	295041
Bypass connector	380001147.	297407
Bypass connector	380000561	295044
Trailer brake fitting	380000550#	293190#
Open Centre Lift Pressure Regulating Valve Adjusting Tool	380000231	291863
Flow Meter 120 l/min)		
* Part of hydraulic adaptor kit		297611
380000464		
# Part of hydraulic pressure test kit		292870
380000240		
Remote valve check valve removal tool	380002720	
Charge pump pressure test adaptor	380200015	
Lift ram pressure test tee piece 13/16 ORFS	380200012	
Oil cooler pressure test adaptor	380200006	
Hydraulic pump pressure test adaptor	380200090	
Lube pressure test adaptor	380200091	

Hydraulic pump Fixed displacement pump - General specification

Filter Type Location	Full-flow, screw-on cartridge Pump intake, on the R.H. side of the rear axle housing
PUMP Type Location Manufacturer Drive Corresponding rated output l/min (US gallon/min)	Gear type, with oil suction from transmission casing On the R.H. side of the rear axle housing BOSCH Driven by PTO input shaft 80 21.1

Hydraulic pump Fixed displacement pump - Torque

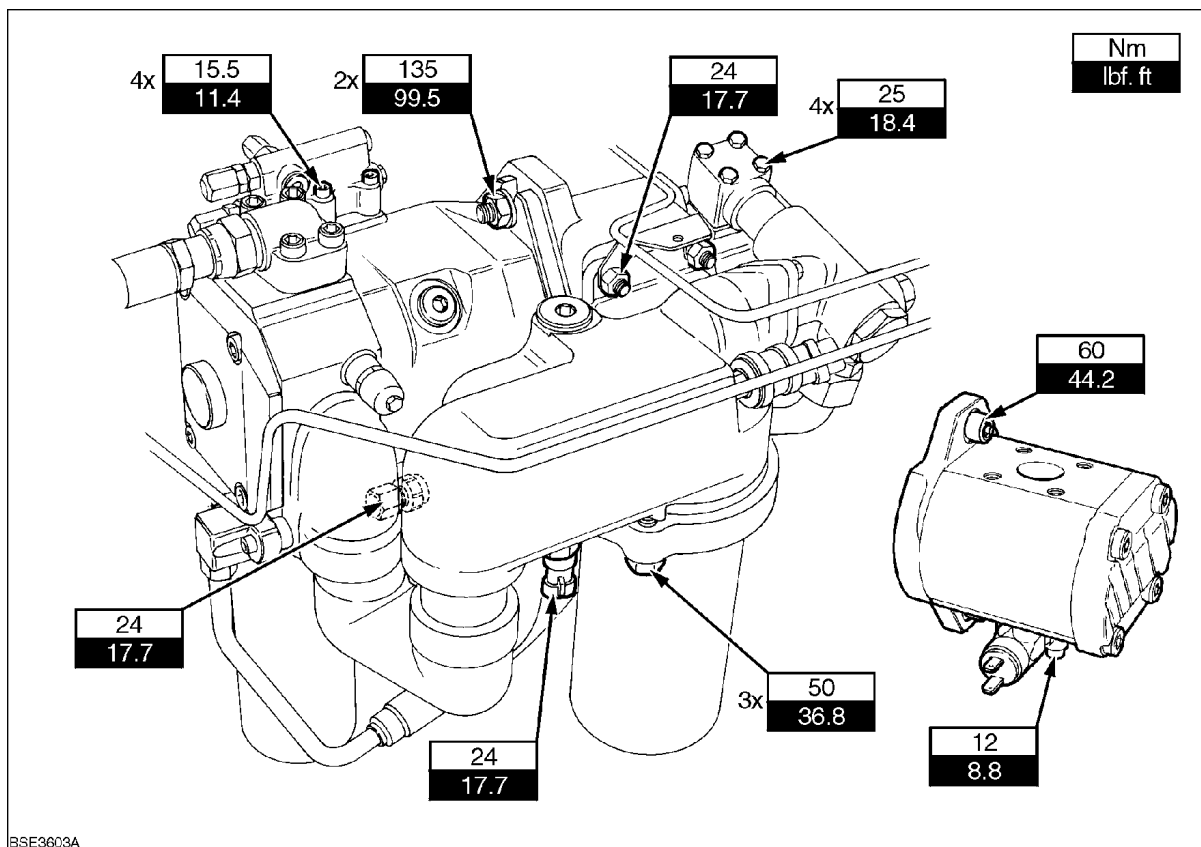


BVE0672A 1

Hydraulic pump Variable displacement pump - General specification

Type	Variable Displacement Piston Pump (Swash Plate Controlled)
Rotation	Clockwise
Minimum Pump Speed	800 RPM
Maximum Pump Speed	2662 RPM
Pump Speed @ 2200 RPM (enginespeed)	2514 RPM
Displacement	45 cm³/rev (2.75 in³/rev)
Output (new pump) @ 2200 RPM (enginespeed)	113 l/min (24.9 UK gpm) 29.8 US gpm
Standby Pressure	23 bar +/- 1 (334 psi +/- 14.5)
Maximum System Pressure	210 bar +/- 5 (3045 psi +/- 72.5)
Spike Clipper Relief Valve	245 bar +/- 5 (3553 psi +/- 72.5)
Peak Pressure	315 bar (4568 psi)

Hydraulic pump Variable displacement pump - Torque



BSE3603A 1



Suggest:

If the above button click is invalid.

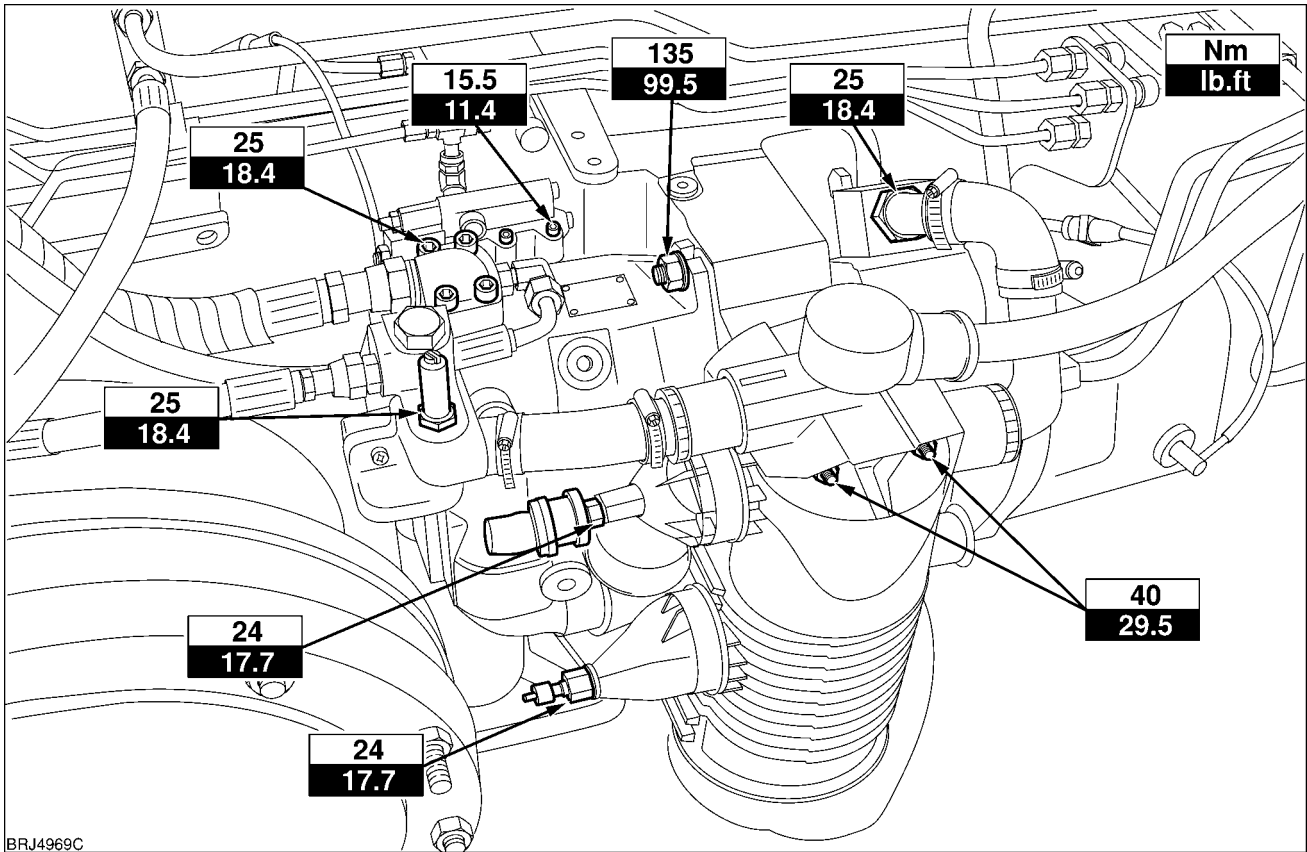
Please download this document

first, and then click the above link

to download the complete manual.

Thank you so much for reading

HYDRAULIC - PNEUMATIC - ELECTRICAL - ELECTRONIC SYSTEMS - PRIMARY HYDRAULIC POWER SYSTEM



BRJ4969C 2

<https://www.ebooklibonline.com>

Hello dear friend!

Thank you very much for reading.

Enter the link into your browser.

The full manual is available for immediate download.

<https://www.ebooklibonline.com>