

SERVICE MANUAL

DI50C Stage IIIB Crawler Dozer

PIN NDDCI5000 and above; PIN NEDCI5000 and above; PIN NFDCI5000 and above

Part number 47907876
2nd edition English
October 2015
Replaces part number 47619945





SERVICE MANUAL

D150C Extra Long Track (XLT), Bulldozer (BD) Blade [NDDC15000 -] , D150C Extra Long Track (XLT), Bulldozer (BD) Blade [NEDC15000 -] , D150C Extra Long Track (XLT), Bulldozer (BD) Blade [NFDC15000 -] , D150C Extra Long Track (XLT), Power Angle Tilt (PAT) Blade [NDDC15000 -] , D150C Extra Long Track (XLT), Power Angle Tilt (PAT) Blade [NEDC15000 -] , D150C Extra Long Track (XLT), Power Angle Tilt (PAT) Blade [NFDC15000 -] , D150C Wide Track (WT) / Low Ground Pressure (LGP), Power Angle Tilt (PAT) Blade [NDDC15000 -] , D150C Wide Track (WT) / Low Ground Pressure (LGP), Power Angle Tilt (PAT) Blade [NEDC15000 -] , D150C Wide Track (WT) / Low Ground Pressure (LGP), Power Angle Tilt (PAT) Blade [NFDC15000 -]

Link Product / Engine

Product	Market Product	Engine
D150C Extra Long Track (XLT), Bulldozer (BD) Blade [NDDC15000 -]	Europe	F4HFE6132*A004
D150C Extra Long Track (XLT), Bulldozer (BD) Blade [NEDC15000 -]	Europe	F4HFE6132*A004
D150C Extra Long Track (XLT), Bulldozer (BD) Blade [NFDC15000 -]	Europe	F4HFE6132*A004
D150C Extra Long Track (XLT), Power Angle Tilt (PAT) Blade [NDDC15000 -]	Europe	F4HFE6132*A004
D150C Extra Long Track (XLT), Power Angle Tilt (PAT) Blade [NEDC15000 -]	Europe	F4HFE6132*A004
D150C Extra Long Track (XLT), Power Angle Tilt (PAT) Blade [NFDC15000 -]	Europe	F4HFE6132*A004
D150C Wide Track (WT) / Low Ground Pressure (LGP), Power Angle Tilt (PAT) Blade [NDDC15000 -]	Europe	F4HFE6132*A004
D150C Wide Track (WT) / Low Ground Pressure (LGP), Power Angle Tilt (PAT) Blade [NEDC15000 -]	Europe	F4HFE6132*A004
D150C Wide Track (WT) / Low Ground Pressure (LGP), Power Angle Tilt (PAT) Blade [NFDC15000 -]	Europe	F4HFE6132*A004

<https://www.ebooklibonline.com>

Hello dear friend!

Thank you very much for reading.

Enter the link into your browser.

The full manual is available for immediate download.

<https://www.ebooklibonline.com>

Contents

INTRODUCTION

Engine	10
[10.001] Engine and crankcase	10.1
[10.202] Air cleaners and lines	10.2
[10.206] Fuel filters	10.3
[10.216] Fuel tanks	10.4
[10.304] Engine lubrication system.....	10.5
[10.310] Aftercooler.....	10.6
[10.400] Engine cooling system	10.7
[10.414] Fan and drive	10.8
[10.500] Selective Catalytic Reduction (SCR) exhaust treatment.....	10.9
Hydrostatic drive	29
[29.218] Pump and motor components.....	29.1
Brakes and controls	33
[33.110] Parking brake or parking lock	33.1
[33.202] Hydraulic service brakes	33.2
Hydraulic systems	35
[35.000] Hydraulic systems.....	35.1
[35.300] Reservoir, cooler, and filters.....	35.2
[35.104] Fixed displacement pump.....	35.3
[35.105] Charge pump.....	35.4
[35.359] Main control valve	35.5
[35.741] Dozer blade cylinders	35.6
Tracks and track suspension	48
[48.130] Track frame and driving wheels.....	48.1
[48.100] Tracks	48.2

[48.134] Track tension units	48.3
[48.138] Track rollers	48.4
[48.140] Dropbox and final drive	48.5
Cab climate control	50
[50.100] Heating	50.1
[50.104] Ventilation	50.2
[50.200] Air conditioning	50.3
Electrical systems	55
[55.000] Electrical system	55.1
[55.011] Fuel tank system	55.2
[55.014] Engine intake and exhaust system.....	55.3
[55.015] Engine control system.....	55.4
[55.030] Service brake electrical system	55.5
[55.050] Heating, Ventilation, and Air-Conditioning (HVAC) control system.....	55.6
[55.100] Harnesses and connectors.....	55.7
[55.201] Engine starting system	55.8
[55.202] Cold start aid	55.9
[55.301] Alternator	55.10
[55.302] Battery.....	55.11
[55.408] Warning indicators, alarms, and instruments	55.12
[55.512] Cab controls.....	55.13
[55.518] Wiper and washer system.....	55.14
[55.988] Selective Catalytic Reduction (SCR) electrical system	55.15
[55.DTC] FAULT CODES.....	55.16
Dozer blade and arm.....	86
[86.110] Dozer blade	86.1
[86.124] Dozer pushbeams and struts	86.2
Tools	89
[89.128] Ripper assembly	89.1

Platform, cab, bodywork, and decals	90
[90.150] Cab.....	90.1
[90.160] Cab interior trim and panels.....	90.2
[90.124] Pneumatically-adjusted operator seat.....	90.3
[90.100] Engine hood and panels	90.4



INTRODUCTION

Foreword - Important notice regarding equipment servicing

D150C

WE

All repair and maintenance work listed in this manual must be carried out only by qualified dealership personnel, strictly complying with the instructions given, and using, whenever possible, the special tools.

Anyone who performs repair and maintenance operations without complying with the procedures provided herein shall be responsible for any subsequent damages.

The manufacturer and all the organizations of its distribution chain, including - without limitation - national, regional, or local dealers, reject any responsibility for damages caused by parts and/or components not approved by the manufacturer, including those used for the servicing or repair of the product manufactured or marketed by the manufacturer. In any case, no warranty is given or attributed on the product manufactured or marketed by the manufacturer in case of damages caused by parts and/or components not approved by the manufacturer.

The manufacturer reserves the right to make improvements in design and changes in specifications at any time without notice and without incurring any obligation to install them on units previously sold. Specifications, descriptions, and illustrative material herein are as accurate as known at time of publication but are subject to change without notice.

In case of questions, refer to your NEW HOLLAND CONSTRUCTION Sales and Service Networks.

Safety rules

D150C

WE


Personal safety





This is the safety alert symbol. It is used to alert you to potential personal injury hazards. Obey all safety messages that follow this symbol to avoid possible death or injury.

Throughout this manual you will find the signal words DANGER, WARNING, and CAUTION followed by special instructions. These precautions are intended for the personal safety of you and those working with you.

Read and understand all the safety messages in this manual before you operate or service the machine.

 DANGER indicates a hazardous situation that, if not avoided, will result in death or serious injury.

 WARNING indicates a hazardous situation that, if not avoided, could result in death or serious injury.

 CAUTION indicates a hazardous situation that, if not avoided, could result in minor or moderate injury.

FAILURE TO FOLLOW DANGER, WARNING, AND CAUTION MESSAGES COULD RESULT IN DEATH OR SERIOUS INJURY.

Machine safety

NOTICE: Notice indicates a situation that, if not avoided, could result in machine or property damage.

Throughout this manual you will find the signal word Notice followed by special instructions to prevent machine or property damage. The word Notice is used to address practices not related to personal safety.

Information

NOTE: Note indicates additional information that clarifies steps, procedures, or other information in this manual.

Throughout this manual you will find the word Note followed by additional information about a step, procedure, or other information in the manual. The word Note is not intended to address personal safety or property damage.

Safety rules - Ecology and the environment

D150C

WE

Soil, air, and water quality is important for all industries and life in general. When legislation does not yet rule the treatment of some of the substances that advanced technology requires, sound judgment should govern the use and disposal of products of a chemical and petrochemical nature.

Familiarize yourself with the relative legislation applicable to your country, and make sure that you understand this legislation. Where no legislation exists, obtain information from suppliers of oils, filters, batteries, fuels, anti-freeze, cleaning agents, etc., with regard to the effect of these substances on man and nature and how to safely store, use, and dispose of these substances.

Helpful hints

- Avoid the use of cans or other inappropriate pressurized fuel delivery systems to fill tanks. Such delivery systems may cause considerable spillage.
- In general, avoid skin contact with all fuels, oils, acids, solvents, etc. Most of these products contain substances that may be harmful to your health.
- Modern oils contain additives. Do not burn contaminated fuels and or waste oils in ordinary heating systems.
- Avoid spillage when you drain fluids such as used engine coolant mixtures, engine oil, hydraulic fluid, brake fluid, etc. Do not mix drained brake fluids or fuels with lubricants. Store all drained fluids safely until you can dispose of the fluids in a proper way that complies with all local legislation and available resources.
- Do not allow coolant mixtures to get into the soil. Collect and dispose of coolant mixtures properly.
- The air-conditioning system contains gases that should not be released into the atmosphere. Consult an air-conditioning specialist or use a special extractor to recharge the system properly.
- Repair any leaks or defects in the engine cooling system or hydraulic system immediately.
- Do not increase the pressure in a pressurized circuit as this may lead to a component failure.
- Protect hoses during welding. Penetrating weld splatter may burn a hole or weaken hoses, allowing the loss of oils, coolant, etc.

Battery recycling

Batteries and electric accumulators contain several substances that can have a harmful effect on the environment if the batteries are not properly recycled after use. Improper disposal of batteries can contaminate the soil, groundwater, and waterways. NEW HOLLAND CONSTRUCTION strongly recommends that you return all used batteries to a NEW HOLLAND CONSTRUCTION dealer, who will dispose of the used batteries or recycle the used batteries properly. In some countries, this is a legal requirement.



Mandatory battery recycling

NOTE: *The following requirements are mandatory in Brazil.*

Batteries are made of lead plates and a sulfuric acid solution. Because batteries contain heavy metals such as lead, CONAMA Resolution 401/2008 requires you to return all used batteries to the battery dealer when you replace any batteries. Do not dispose of batteries in your household garbage.

Points of sale are obliged to:

- Accept the return of your used batteries
- Store the returned batteries in a suitable location
- Send the returned batteries to the battery manufacturer for recycling



SERVICE MANUAL

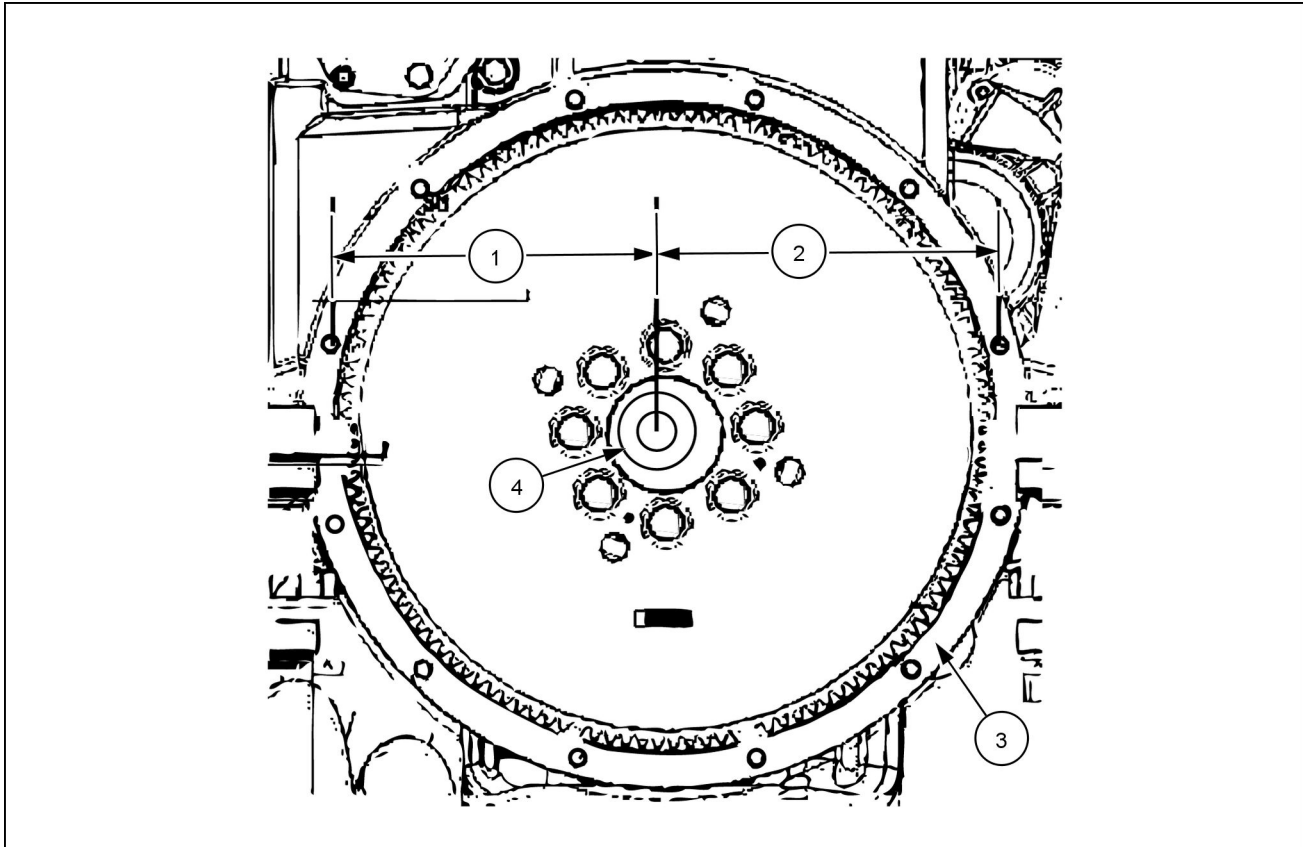
Engine

D150C Extra Long Track (XLT), Bulldozer (BD) Blade [NDDC15000 -] , D150C Extra Long Track (XLT), Bulldozer (BD) Blade [NEDC15000 -] , D150C Extra Long Track (XLT), Bulldozer (BD) Blade [NFDC15000 -] , D150C Extra Long Track (XLT), Power Angle Tilt (PAT) Blade [NDDC15000 -] , D150C Extra Long Track (XLT), Power Angle Tilt (PAT) Blade [NEDC15000 -] , D150C Extra Long Track (XLT), Power Angle Tilt (PAT) Blade [NFDC15000 -] , D150C Wide Track (WT) / Low Ground Pressure (LGP), Power Angle Tilt (PAT) Blade [NDDC15000 -] , D150C Wide Track (WT) / Low Ground Pressure (LGP), Power Angle Tilt (PAT) Blade [NEDC15000 -] , D150C Wide Track (WT) / Low Ground Pressure (LGP), Power Angle Tilt (PAT) Blade [NFDC15000 -]

Engine - Assemble - Driveshaft alignment, engine and tandem pumps

D150C

WE



RAIL13DOZ1485FA 1

Item	Description
1	Shaft center to center 9:30 hole
2	Shaft center to center 2:30 hole
3	Flywheel housing
4	Pump shaft

NOTE: All instructions specified are from the perspective of someone sitting in the operator's seat, facing the blade.

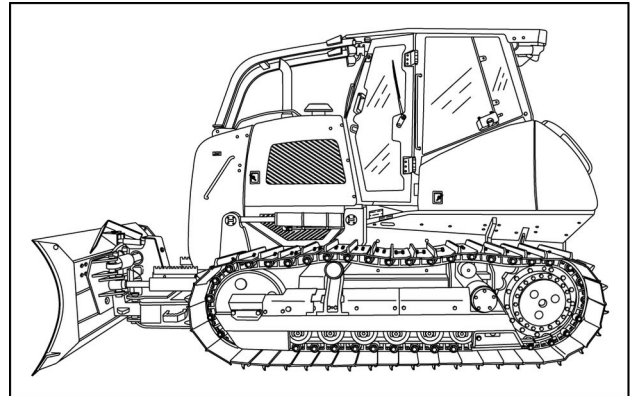
1. Angle of the driveshaft is **4.85 °**.
2. Coming off the pump shaft centerline, the driveshaft is angled up **4.07 °** and to the left **2.63 °**.
3. The distance from the flywheel housing to the pump mounting bracket is **176.00 mm (6.93 in)**

Air cleaner - Remove

D150C

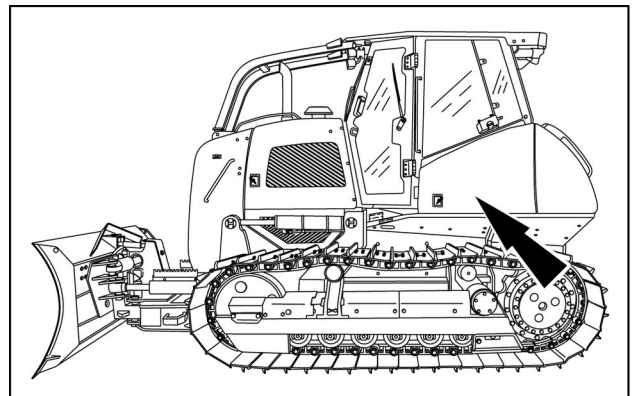
WE

1. Park the machine on a firm level surface.



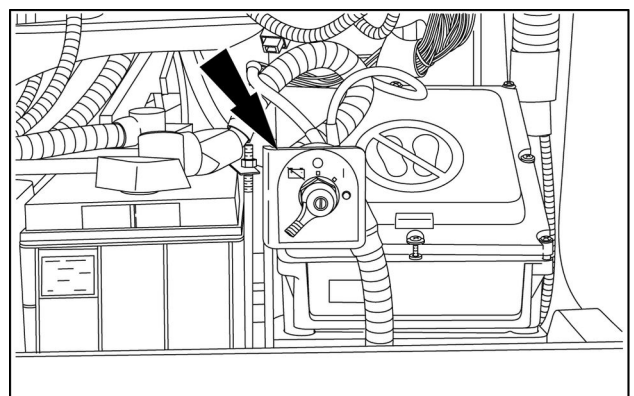
RAIL12DOZ0403AA 1

2. Lower the blade and the ripper tool (if so equipped).
3. Engage the parking brake and turn the ignition key to the OFF position.
4. Locate the battery master disconnect switch behind the panel on the left side of the cab.



RAIL12DOZ0403AA 2

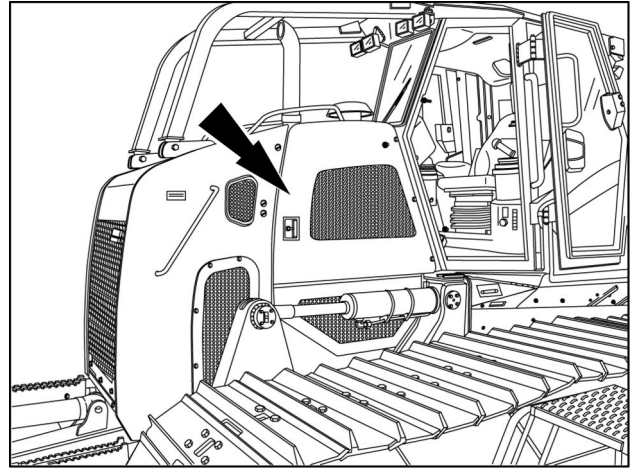
5. Switch the master battery disconnect switch to the OFF position.



RAPH12DOZ0044AA 3

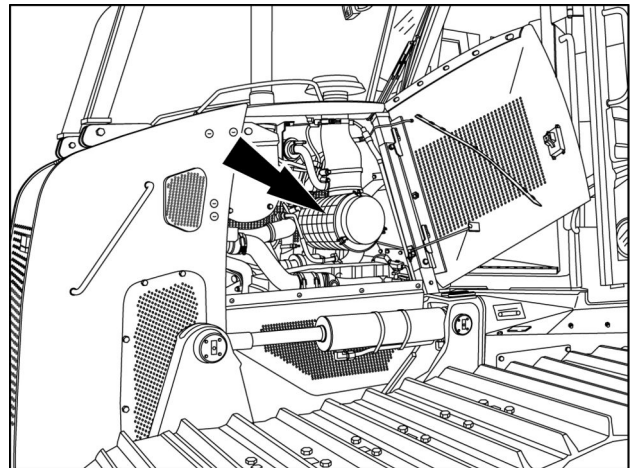
NOTE: Wait 90 seconds after engine shutdown before turning off battery disconnect. After engine shutdown, the Selective Catalytic Reduction (SCR) system does a purge cycle and the supply module continues to run.

6. Open the left hand side engine compartment access door.



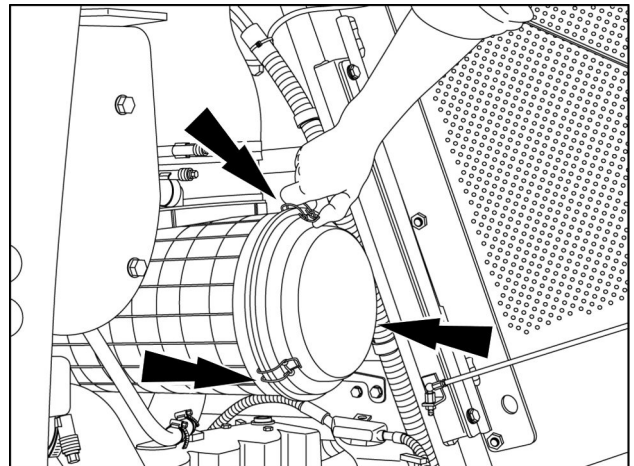
RAIL12DOZ0832BA 4

7. Locate the engine air intake filter housing.



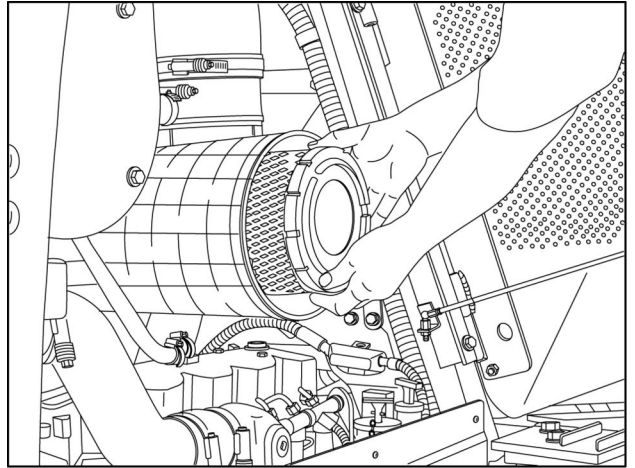
RAIL12DOZ0833BA 5

8. Release the retaining clips and remove the engine air intake filter housing cover.



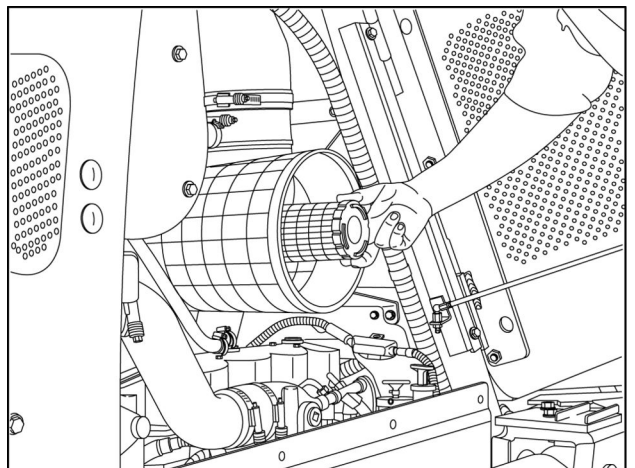
RAIL12DOZ0834BA 6

9. Remove the primary air filter element.



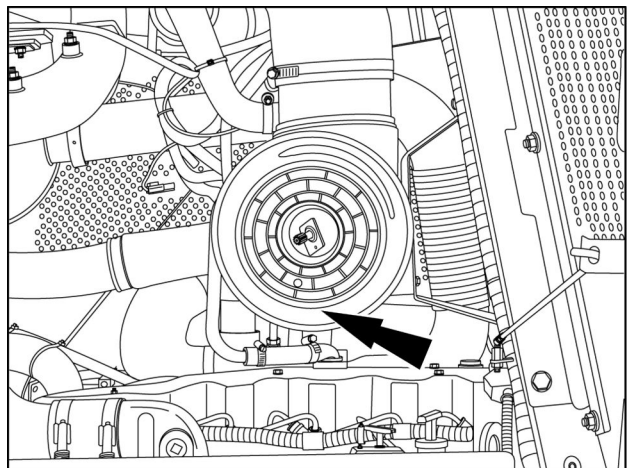
RAIL12DOZ0835BA 7

10. Remove the secondary air filter element.



RAIL12DOZ0837BA 8

11. Remove any additional debris from inside the engine air intake filter housing before installing the air filter elements.



RAIL12DOZ0839BA 9

Next operation:
Air cleaner - Install (10.202)

Air cleaner - Install

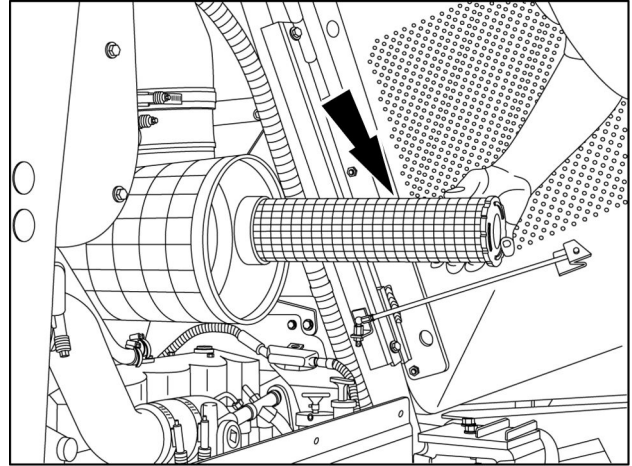
D150C

WE

Prior operation:

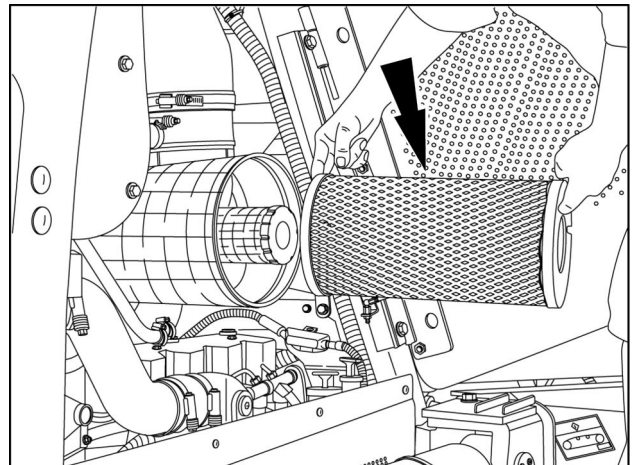
Air cleaner - Remove (10.202)

1. Install the secondary air filter element into the air filter housing.



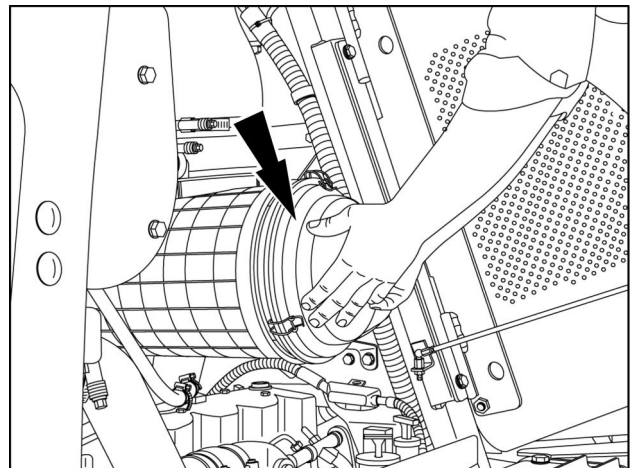
RAIL12DOZ0838BA 1

2. Install the primary air filter element into the air filter housing.



RAIL12DOZ0836BA 2

3. Attach the engine air intake filter housing cover.



RAIL12DOZ0840BA 3



Suggest:

If the above button click is invalid.

Please download this document

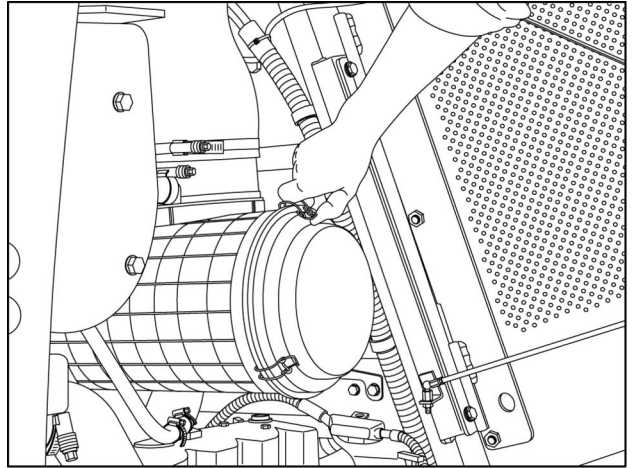
first, and then click the above link

to download the complete manual.

Thank you so much for reading

Engine - Air cleaners and lines

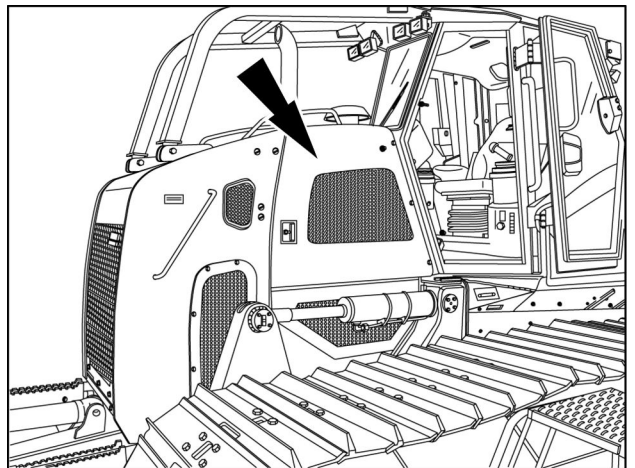
- Secure the retaining clips which hold the engine air intake filter housing cover in place.



RAIL12DOZ0834BA 4

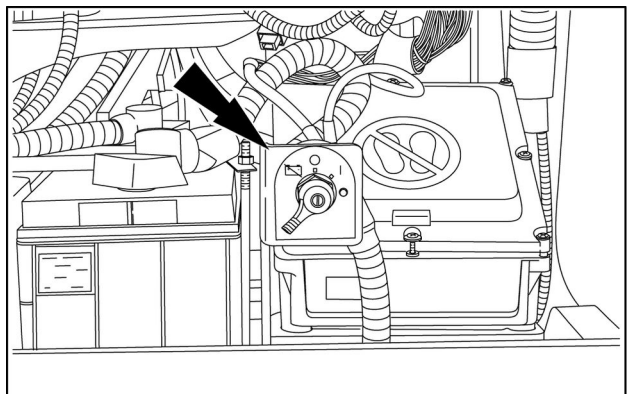
NOTE: Make sure that the engine air intake filter housing and forms a tight seal with the cover.

- Close the left side engine compartment panel and secure it with the latch.



RAIL12DOZ0832BA 5

- Switch the master battery disconnect switch to the ON position.



RAPH12DOZ0044AA 6

<https://www.ebooklibonline.com>

Hello dear friend!

Thank you very much for reading.

Enter the link into your browser.

The full manual is available for immediate download.

<https://www.ebooklibonline.com>