

SERVICE MANUAL

**CR6090 / CR7090 / CR8080 /
CR8090 / CR9090**

**Tier 4a
Combine**

Part number 84561155
1st edition English
July 2012



Contents

INTRODUCTION

Engine.....	10
Fuel filters	10.206
Aftercooler.....	10.310
Engine cooling system	10.400
Oil cooler and lines	10.408
Fan and drive.....	10.414
Rotary screen.....	10.418
Engine air compressor	10.450
Selective Catalytic Reduction (SCR) exhaust treatment	10.500
Main gearbox and drive	14
Main gearbox and drive	14.100
Transmission.....	21
Mechanical transmission	21.114
Mechanical transmission external controls	21.130
Gearbox internal components	21.145
Differential	21.182
Front axle system	25
Powered front axle	25.100
Final drives	25.310
Rear axle system.....	27
Powered rear axle	27.100
Hydrostatic drive.....	29
Transmission and steering hydrostatic control	29.100
Two-speed assembly	29.134
Hydrostatic transmission	29.202
Reservoir, cooler, and lines.....	29.204

Pump and motor components	29.218
Rear hydrostatic transmission	29.300
Brakes and controls	33
Parking brake / Parking lock	33.110
Hydraulic service brakes	33.202
Hydraulic systems.....	35
Hydraulic systems	35.000
Pump control valves	35.102
Variable displacement pump	35.106
Auxiliary hydraulic pump and lines	35.220
Reservoir, cooler, and filters	35.300
Main control valve	35.359
Header/Attachment height system	35.410
Header/Attachment tilting system	35.415
Grain tank unload system	35.440
Traction variator system	35.450
Reel control system	35.518
Crop processor system.....	35.536
Header/Attachment leveling system.....	35.602
Header reverser drive	35.760
Chaff spreader control.....	35.796
Stone trapping system.....	35.992
Steering.....	41
Steering control.....	41.101
Hydraulic control components.....	41.200
Pump	41.206
Cylinders	41.216
Autoguidance steering.....	41.432
Tracks and track suspension.....	48

<https://www.ebooklibonline.com>

Hello dear friend!

Thank you very much for reading.

Enter the link into your browser.

The full manual is available for immediate download.

<https://www.ebooklibonline.com>

Tracks	48.100
Track frame and driving wheels	48.130
Track tension units	48.134
Cab climate control	50
Heating	50.100
Ventilation	50.104
Air conditioning	50.200
Electrical systems	55
Electrical system	55.000
Fuel injection system	55.010
Fuel tank system	55.011
Engine cooling system	55.012
Engine oil system.....	55.013
Engine intake and exhaust system	55.014
Engine control system	55.015
Hydrostatic drive control system	55.019
Transmission control system	55.024
Gearbox electric system.....	55.029
Service brake electrical system	55.030
Parking brake electrical system	55.031
Hydraulic system control	55.036
Heating, Ventilation, and Air-Conditioning (HVAC) control system	55.050
Cab Heating, Ventilation, and Air-Conditioning (HVAC) controls.....	55.051
Harnesses and connectors	55.100
Engine starting system	55.201
Cold start aid	55.202
Alternator	55.301
External lighting	55.404
Warning indicators, alarms, and instruments.....	55.408

Feeding control system.....	55.421
Cleaning control system.....	55.423
Harvest material flow control system.....	55.426
Cab controls.....	55.512
Wiper/Washer system.....	55.518
Cab brake controls.....	55.519
Cab harvesting controls.....	55.520
Ground speed control.....	55.610
Reverser electric control.....	55.618
Residue handling control.....	55.624
Threshing electrical control.....	55.628
Electronic modules.....	55.640
Cab header controls.....	55.661
Header height control.....	55.662
Header leveling control.....	55.670
Shaker shoe leveling system control.....	55.780
Precision farming system.....	55.785
Rotary screen drive and cleaning.....	55.830
Sieve electric control.....	55.834
Rotary separator control.....	55.836
Global Positioning System (GPS).....	55.911
Selective Catalytic Reduction (SCR) electrical system.....	55.988
FAULT CODES.....	55.DTC
Product feeding.....	60
Floating roll, feed chain, and drive.....	60.105
Feeder housing.....	60.110
Stone trapping system.....	60.112
Feeder housing shafts.....	60.130
Feeder drive system.....	60.150

Threshing	66
Threshing	66.000
Concave conveyor plate	66.101
Concave	66.105
Concave control system	66.110
Threshing mechanism drive system	66.260
Drum/Rotor variator with electrical control	66.321
Rotor	66.331
Drum/Rotor housing	66.360
Residue handling	73
Straw chopper drive system	73.210
Straw chopper frame	73.220
Straw chopper	73.230
Positive Straw Discharge (PSD)	73.300
Chaff spreader	73.335
Cleaning	74
Cleaning	74.000
Self-leveling frame	74.100
Cleaning drive systems	74.101
Grain pan	74.110
Upper shaker shoe	74.114
Lower shaker shoe	74.118
Fan housing	74.130
Fan drive system	74.136
Tailings return system	74.140
Crop storage / Unloading	80
Clean grain elevator	80.101
Grain tank	80.150
Grain tank unload drive system	80.175

Grain tank unload.....	80.180
Platform, cab, bodywork, and decals.....	90
Machine shields and guards.....	90.105
Protections and footboards.....	90.118
Pneumatically-adjusted operator seat.....	90.124
Cab.....	90.150
Cab interior.....	90.151
Cab doors and hatches.....	90.154



INTRODUCTION

Foreword

CR6090 [YBG115106 -] NA, CR8080 [YBG115106 -] NA, CR9090 [YBG115106 -] NA, CR9090 NA, CR7090 [YBG115106 -] NA, CR7090, CR8090 [YBG115106 -] NA, CR8090

Soil, air, and water are vital factors of agriculture and life in general. When legislation does not yet rule the treatment of some of the substances required by advanced technology, sound judgment should govern the use and disposal of products of a chemical and petrochemical nature.

NOTE: *The following are recommendations that may be of assistance:*

- Become acquainted with and ensure that you understand the relative legislation applicable to your country.
- Where no legislation exists, obtain information from suppliers of oils, filters, batteries, fuels, antifreeze, cleaning agents, etc., with regard to their effect on man and nature and how to safely store, use, and dispose of these substances.
- Agricultural consultants will, in many cases, be able to help you as well.

Helpful hints

- Avoid filling tanks using cans or inappropriate pressurized fuel delivery systems that may cause considerable spillage.
- In general, avoid skin contact with all fuels, oils, acids, solvents, etc. Most of them contain substances that may be harmful to your health.
- Modern oils contain additives. Do not burn contaminated fuels and or waste oils in ordinary heating systems.
- Avoid spillage when draining off used engine coolant mixtures, engine, gearbox and hydraulic oils, brake fluids, etc. Do not mix drained brake fluids or fuels with lubricants. Store them safely until they can be disposed of in a proper way to comply with local legislation and available resources.
- Modern coolant mixtures, i.e. antifreeze and other additives, should be replaced every two years. They should not be allowed to get into the soil, but should be collected and disposed of properly.
- Do not open the air-conditioning system yourself. It contains gases that should not be released into the atmosphere. Your NEW HOLLAND AGRICULTURE dealer or air conditioning specialist has a special extractor for this purpose and will have to recharge the system properly.
- Repair any leaks or defects in the engine cooling or hydraulic system immediately.
- Do not increase the pressure in a pressurized circuit as this may lead to a component failure.
- Protect hoses during welding as penetrating weld splatter may burn a hole or weaken them, allowing the loss of oils, coolant, etc.

Safety rules

CR6090, CR8080 [YBG115106 -], CR8080 NA, CR9090 [YBG115106 -], CR9090 NA, CR7090, CR8090


Personal safety





This is the safety alert symbol. It is used to alert you to potential personal injury hazards. Obey all safety messages that follow this symbol to avoid possible death or injury.

Throughout this manual you will find the signal words DANGER, WARNING, and CAUTION followed by special instructions. These precautions are intended for the personal safety of you and those working with you.

Read and understand all the safety messages in this manual before you operate or service the machine.

 DANGER indicates a hazardous situation which, if not avoided, will result in death or serious injury.

 WARNING indicates a hazardous situation which, if not avoided, could result in death or serious injury.

 CAUTION, used with the safety alert symbol, indicates a hazardous situation which, if not avoided, could result in minor or moderate injury.

FAILURE TO FOLLOW DANGER, WARNING, AND CAUTION MESSAGES COULD RESULT IN DEATH OR SERIOUS INJURY.

Machine safety

NOTICE: Notice indicates a situation which, if not avoided, could result in machine or property damage.

Throughout this manual you will find the signal word Notice followed by special instructions to prevent machine or property damage. The word Notice is used to address practices not related to personal safety.

Information

NOTE: Note indicates additional information which clarifies steps, procedures, or other information in this manual.

Throughout this manual you will find the word Note followed by additional information about a step, procedure, or other information in the manual. The word Note is not intended to address personal safety or property damage.

Safety rules - Personal safety

CR6090, CR8080, CR9090 [YBG115106 -] NA, CR7090 [YBG115106 -] NA, CR8090 [YBG115106 -] NA

Carefully study these precautions, and those included in the external attachment operators manual, and insist that they be followed by those working with and for you.

1. Thoroughly read and understand this manual and the attachment Operator's Manual before operating this or any other equipment.
2. Be sure all people and pets are clear of the machine before starting. Sound the horn, if equipped, three times before starting engine.
3. Only the operator should be on the machine when in operation. Never allow anyone to climb on to the machine while it is in motion. If the machine is equipped with an Instructors Seat, this must only be used for training purposes. Passengers must not be allowed to use the Instructors Seat.
4. Keep all shields in place. Never work around the machine or any of the attachments while wearing loose clothing that might catch on moving parts.
5. Observe the following precautions whenever lubricating the machine or making adjustments.
 - Disengage all clutching levers or switches.
 - Lower the attachment, if equipped, to the ground or raise the attachment completely and engage the cylinder safety locks. Completing these actions will prevent the attachment from lowering unexpectedly.
 - Engage the parking brake.
 - Shut off the engine and remove the key.
 - Wait for all machine movement to stop before leaving the operators platform.
6. Always keep the machine in gear while travelling downhill.
7. The machine should always be equipped with sufficient front or rear axle weight for safe operation.
8. Under some field conditions, more weight may be required at the front or rear axle for adequate stability. This is especially important when operating in hilly conditions or/when using heavy attachments.
9. Always lower the attachment, shut off the engine, set the parking brake, engage the transmission gears, remove the key and wait for all machine movement to stop before leaving the operators platform.
10. If the attachment or machine should become obstructed or plugged; set the parking brake, shut off the engine and remove the key, engage the transmission gears, wait for all machine or attachment motion to come to a stop, before leaving the operators platform to removing the obstruction or plug.
11. Never disconnect or make any adjustments to the hydraulic system unless the machine and/or the attachment is lowered to the ground or the safety lock(s) is in the engaged position.
12. Use of the flashing lights is highly recommended when operating on a public road.
13. When transporting on a road or highway, use accessory lights and devices for adequate warning to the operators of other vehicles. In this regard, check local government regulations. Various safety lights and devices are available from your NEW HOLLAND AGRICULTURE dealer.
14. Practice safety 365 days a year.
15. Keep all your equipment in safe operating condition.
16. Keep all guards and safety devices in place.
17. Always set the parking brake, shut off the engine and remove the key, engage the transmission gears, wait for all machine or attachment motion to come to a stop, before leaving the operators platform to service the machine and attachment.
18. Remember: A careful operator is the best insurance against an accident.
19. Extreme care should be taken in keeping hands and clothing away from moving parts.



SERVICE MANUAL

Engine



CR6090 [YBG115106 -]
CR7090 [YBG115106 -]
CR8080 [YBG115106 -]
CR8090 [YBG115106 -]
CR9090 [YBG115106 -]

Aftercooler - Remove

CR6090 [YBG115106 -], CR7090 [YBG115106 -] NA

Prior operation:

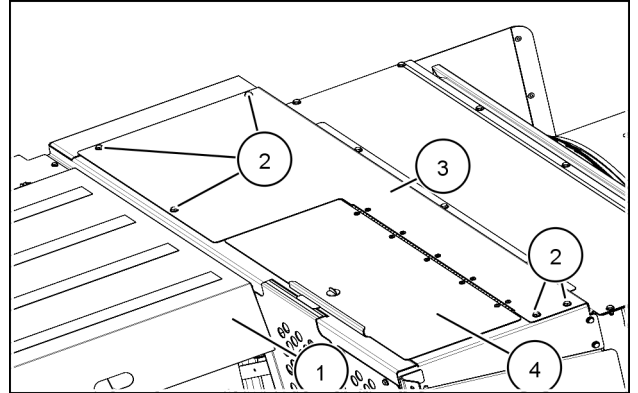
Radiator wiper - Remove (10.418).

ATTENTION: Left hand side and right hand side are determined by facing the front of the cooler box.

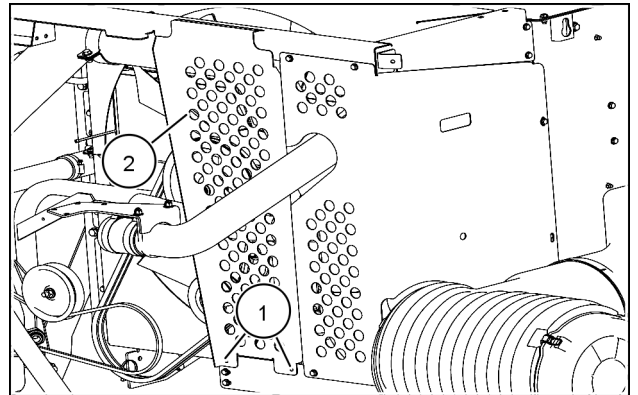
ATTENTION: Retain all hardware and components unless otherwise specified.

1. Open the top engine hood (1). Remove the hardware (2) securing the top engine cover (3) to the engine cover frame.

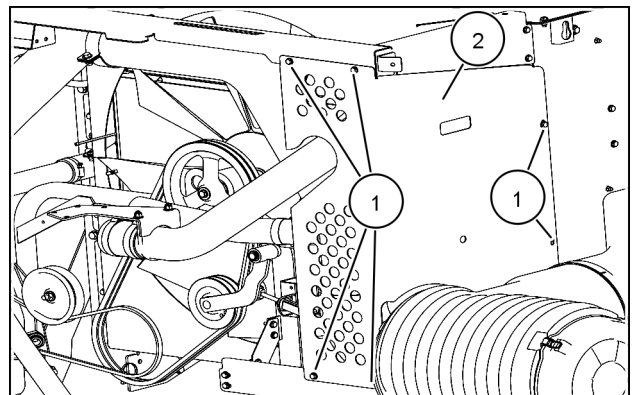
NOTE: There is no need to remove the access panel (4) since it is attached to the top cover.



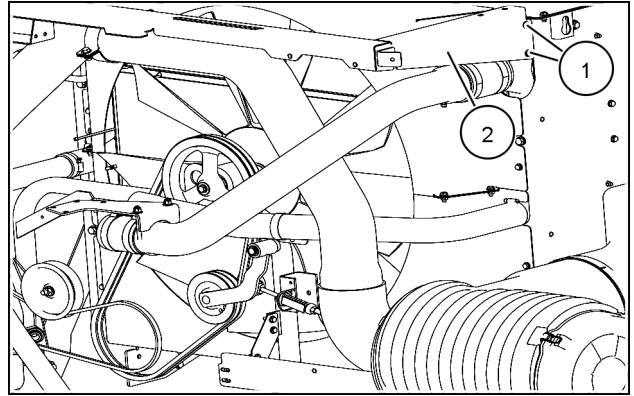
2. Remove the hardware (1) securing the engine shield to the frame. Remove the engine shield (2) by lifting it upwards and off of the slot in frame.



3. Remove the hardware (1) securing the engine corner side shield (2) to the engine cover frame and remove the shield.

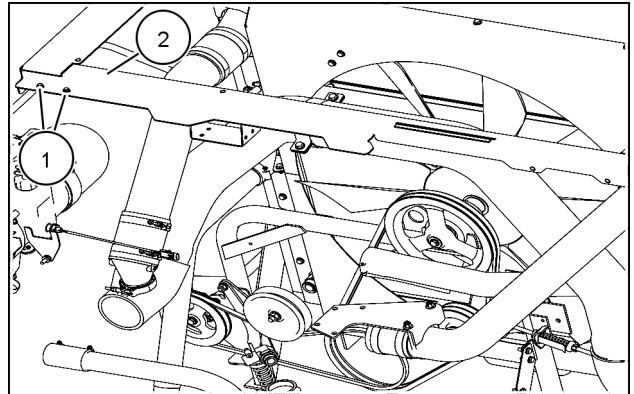


4. Remove the hardware (1) from the left side of the engine shield upper frame (2).



20104121 4

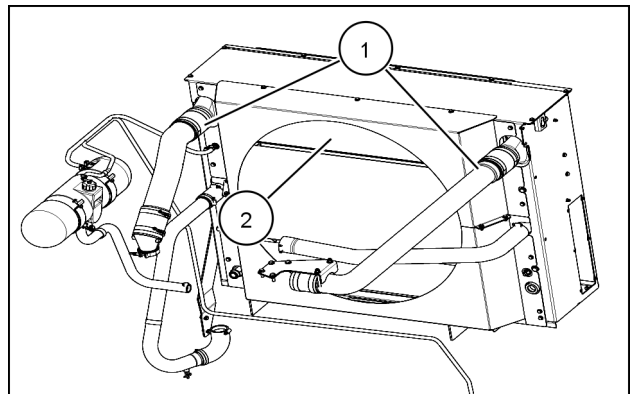
5. Remove the hardware (1) from the right side of the engine shield upper frame (2), and remove the frame from the combine.



20104122 5

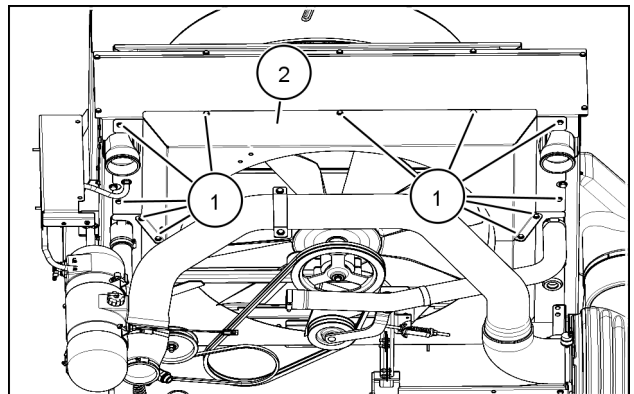
6. Loosen the clamps on the hoses and remove the two hoses (1) from the charge air cooler (CAC) (2).

NOTE: There is no need to remove the hoses from the engine.



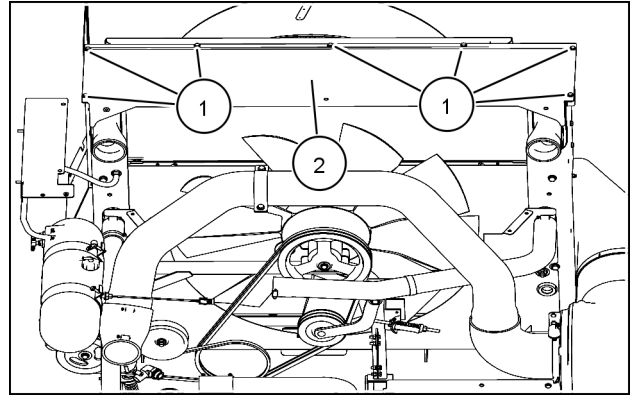
20104100 6

7. Remove the eleven M8 X 20 hex bolts, washers and nuts (1) from the upper fan shroud (2) and remove the fan shroud.



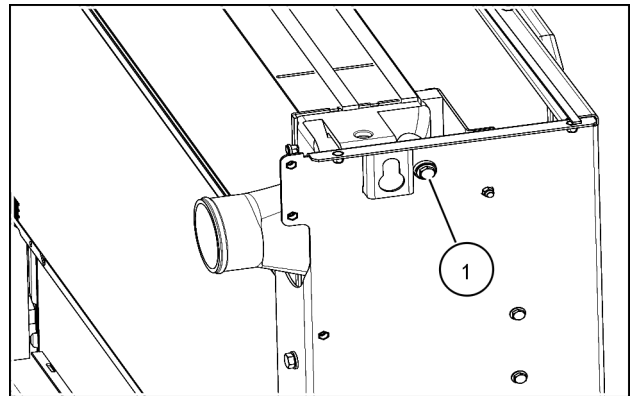
20104124 7

8. Remove the seven M8 X 20 hex bolts and washers **(1)** from the top plate **(2)** of the cooler box and remove the top plate.



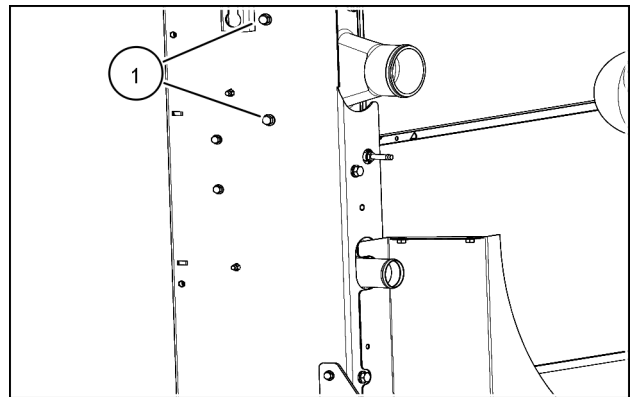
20104123 8

9. On the left hand side of the cooler box, remove the bolt and washer **(1)** securing the CAC to the cooler box.



20104105 9

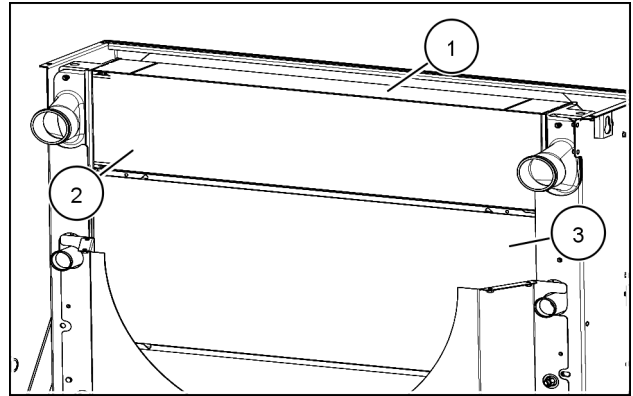
10. On the right hand side of the cooler box, remove the two bolts and washers **(1)**, securing the CAC to the cooler box.



20104106 10

ATTENTION: Foam rubber strips (1) are installed between each component to prevent damage from rubbing. To remove each component, gently pry the component being removed from the one below it.

11. Gently pry the CAC radiator (2) from the engine coolant radiator (3) and lift the CAC radiator from the cooler box assembly.



20104111 11

Next operation:
Aftercooler - Install (10.310).



Suggest:

If the above button click is invalid.

Please download this document

first, and then click the above link

to download the complete manual.

Thank you so much for reading

Aftercooler - Install

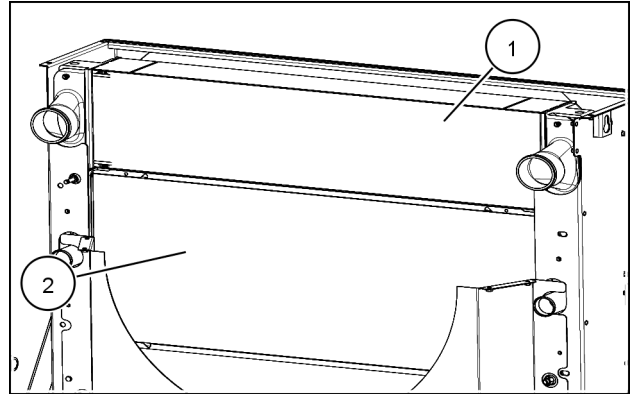
CR6090 [YBG115106 -], CR7090 [YBG115106 -] NA

Prior operation:

Aftercooler - Remove (10.310).

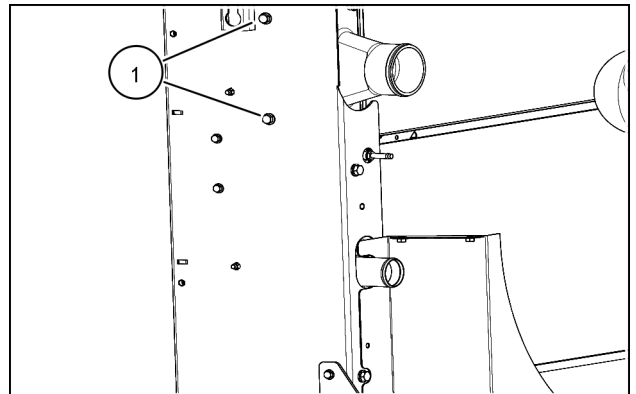
ATTENTION: When installing the components on top one another, check the foam strips and replace as needed.

1. Install the charge air cooler (CAC) radiator (1) on top of the engine coolant radiator (2) as shown.



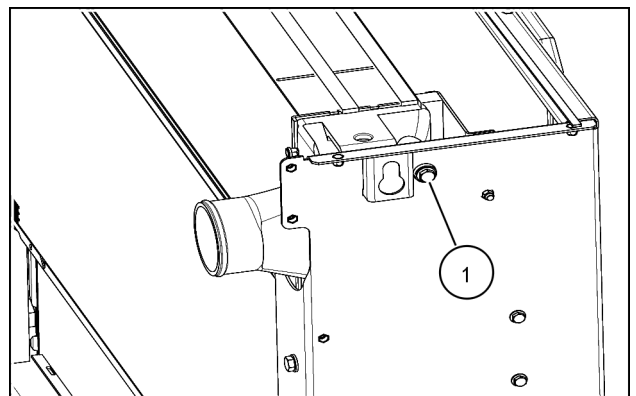
20104111 1

2. On the right hand side of the cooler box, install the two bolts and washers (1), securing the CAC to the cooler box. Tighten hardware to standard torque.



20104106 2

3. On the left hand side of the cooler box, install the bolt and washer (1) securing the CAC to the cooler box. Tighten hardware to standard torque.



20104105 3

<https://www.ebooklibonline.com>

Hello dear friend!

Thank you very much for reading.

Enter the link into your browser.

The full manual is available for immediate download.

<https://www.ebooklibonline.com>