

SERVICE MANUAL

Boomer™ 41
Boomer™ 47
Tier 4B (final)
Compact Tractor

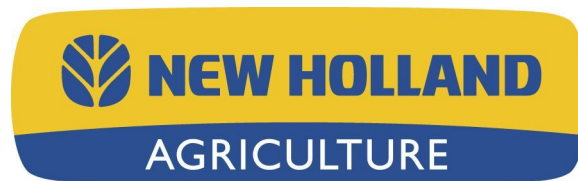
Part number 47941902

2nd edition English

March 2016

Replaces part number 47700457





SERVICE MANUAL

Boomer™ 41 TIER 4B (FINAL), ROPS
Boomer™ 41 TIER 4B (FINAL), Cab
Boomer™ 47 TIER 4B (FINAL), ROPS
Boomer™ 47 TIER 4B (FINAL), Cab

Link Product / Engine

Product	Market Product	Engine
Boomer™ 41 TIER 4B (FINAL), ROPS	North America	N844L-F-30
Boomer™ 41 TIER 4B (FINAL), Cab	North America	N844L-F-30
Boomer™ 47 TIER 4B (FINAL), ROPS	North America	N844L-F-34
Boomer™ 47 TIER 4B (FINAL), Cab	North America	N844L-F-34

<https://www.ebooklibonline.com>

Hello dear friend!

Thank you very much for reading.

Enter the link into your browser.

The full manual is available for immediate download.

<https://www.ebooklibonline.com>

Contents

INTRODUCTION

Engine	10
[10.001] Engine and crankcase	10.1
[10.202] Air cleaners and lines	10.2
[10.206] Fuel filters	10.3
[10.304] Engine lubrication system.....	10.4
[10.400] Engine cooling system	10.5
[10.501] Exhaust Gas Recirculation (EGR) exhaust treatment.....	10.6
Clutch	18
[18.100] Clutch mechanical release control	18.1
[18.110] Clutch and components	18.2
[18.112] Slip clutch or flywheel damper	18.3
Transmission	21
[21.114] Mechanical transmission	21.1
[21.140] Mechanical transmission internal components.....	21.2
Front axle system	25
[25.100] Powered front axle	25.1
[25.102] Front bevel gear set and differential	25.2
[25.108] Final drive hub, steering knuckles, and shafts	25.3
[25.310] Final drives	25.4
Rear axle system	27
[27.106] Rear bevel gear set and differential	27.1
[27.120] Planetary and final drives	27.2
Hydrostatic drive	29
[29.100] Transmission and steering hydrostatic control	29.1
[29.202] Hydrostatic transmission	29.2

[29.218] Pump and motor components.....	29.3
Power Take-Off (PTO).....	31
[31.101] Rear mechanical control	31.1
[31.104] Rear electro-hydraulic control.....	31.2
[31.110] One-speed rear Power Take-Off (PTO)	31.3
[31.120] Central Power Take-Off (PTO)	31.4
Brakes and controls	33
[33.110] Parking brake or parking lock	33.1
[33.120] Mechanical service brakes	33.2
Hydraulic systems.....	35
[35.000] Hydraulic systems.....	35.1
[35.104] Fixed displacement pump	35.2
[35.114] Three-point hitch control valve	35.3
[35.116] Three-point hitch cylinder	35.4
[35.204] Remote control valves	35.5
[35.300] Reservoir, cooler, and filters.....	35.6
[35.350] Safety and main relief valves	35.7
[35.355] Hydraulic hand control	35.8
Hitches, drawbars, and implement couplings.....	37
[37.108] Rear three-point hitch external controls.....	37.1
[37.110] Rear three-point hitch	37.2
Steering.....	41
[41.101] Steering control	41.1
[41.106] Tie rods.....	41.2
[41.200] Hydraulic control components.....	41.3
[41.216] Cylinders	41.4
Wheels	44

[44.511] Front wheels	44.1
[44.520] Rear wheels	44.2
Cab climate control	50
[50.100] Heating	50.1
[50.104] Ventilation	50.2
[50.200] Air conditioning	50.3
Electrical systems	55
[55.000] Electrical system	55.1
[55.011] Fuel tank system	55.2
[55.031] Parking brake electrical system	55.3
[55.048] Rear Power Take-Off (PTO) control system	55.4
[55.100] Harnesses and connectors	55.5
[55.201] Engine starting system	55.6
[55.202] Cold start aid	55.7
[55.302] Battery	55.8
[55.404] External lighting	55.9
[55.405] External lighting switches and relays	55.10
[55.408] Warning indicators, alarms, and instruments	55.11
[55.513] Cab transmission controls	55.12
[55.525] Cab engine controls	55.13
[55.610] Ground speed control	55.14
[55.640] Electronic modules	55.15
[55.989] Exhaust Gas Recirculation (EGR) electrical system	55.16
[55.DTC] FAULT CODES	55.17
Platform, cab, bodywork, and decals	90
[90.100] Engine hood and panels	90.1
[90.114] Operator protections	90.2
[90.116] Fenders and guards	90.3

[90.120] Mechanically-adjusted operator seat..... 90.4

[90.150] Cab..... 90.5

[90.151] Cab interior..... 90.6

[90.154] Cab doors and hatches 90.7

[90.156] Cab glazing 90.8



INTRODUCTION

Foreword

Boomer™ 41	NA
Boomer™ 47	NA

This repair manual provides the technical information needed to properly service the NEW HOLLAND models Boomer 41 and 47 tractors. Use this manual in conjunction with the operator's manual for complete operation, adjustment, and maintenance information.

On NEW HOLLAND equipment, left and right are determined by standing behind the unit, looking in the direction of travel.

NOTICE: Emissions sensors in the exhaust system and on the vehicle may be damaged by vibrations from use of impact wrenches or hammers during service work. Avoid using these tools when servicing components close to the sensors. Remove the sensors with care if use of these tools cannot be avoided.

Safety rules

Boomer™ 41	NA
Boomer™ 47	NA


Personal safety





This is the safety alert symbol. It is used to alert you to potential personal injury hazards. Obey all safety messages that follow this symbol to avoid possible death or injury.

Throughout this manual you will find the signal words DANGER, WARNING, and CAUTION followed by special instructions. These precautions are intended for the personal safety of you and those working with you.

Read and understand all the safety messages in this manual before you operate or service the machine.

 DANGER indicates a hazardous situation that, if not avoided, will result in death or serious injury.

 WARNING indicates a hazardous situation that, if not avoided, could result in death or serious injury.

 CAUTION indicates a hazardous situation that, if not avoided, could result in minor or moderate injury.

FAILURE TO FOLLOW DANGER, WARNING, AND CAUTION MESSAGES COULD RESULT IN DEATH OR SERIOUS INJURY.

Machine safety

NOTICE: Notice indicates a situation that, if not avoided, could result in machine or property damage.

Throughout this manual you will find the signal word Notice followed by special instructions to prevent machine or property damage. The word Notice is used to address practices not related to personal safety.

Information

NOTE: Note indicates additional information that clarifies steps, procedures, or other information in this manual.

Throughout this manual you will find the word Note followed by additional information about a step, procedure, or other information in the manual. The word Note is not intended to address personal safety or property damage.



SERVICE MANUAL

Engine

Boomer™ 41 TIER 4B (FINAL), ROPS

Boomer™ 41 TIER 4B (FINAL), Cab

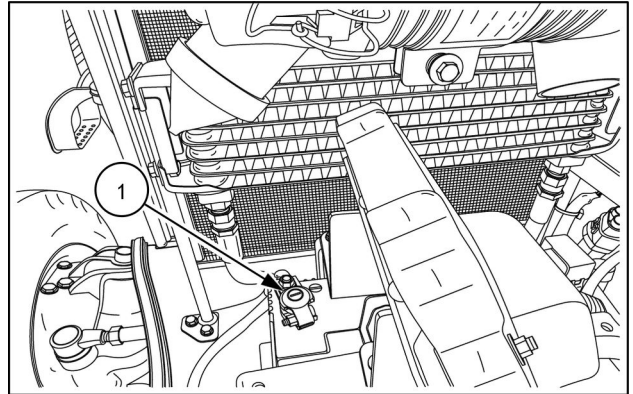
Boomer™ 47 TIER 4B (FINAL), ROPS

Boomer™ 47 TIER 4B (FINAL), Cab

Engine - Remove

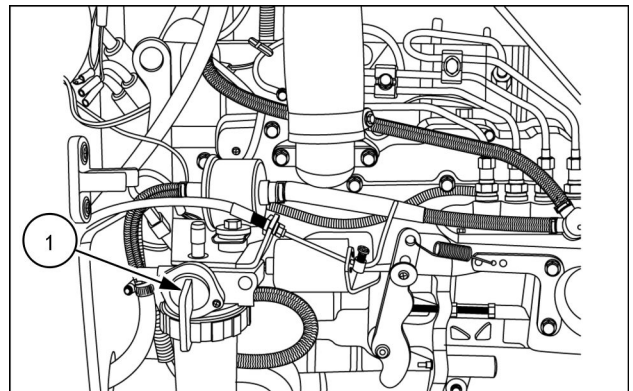
Boomer™ 41 TIER 4B (FINAL), ROPS	NA
Boomer™ 47 TIER 4B (FINAL), ROPS	NA

1. Chock all four wheels so that the tractor cannot move.
2. Disconnect negative (-) battery cable **(1)**.



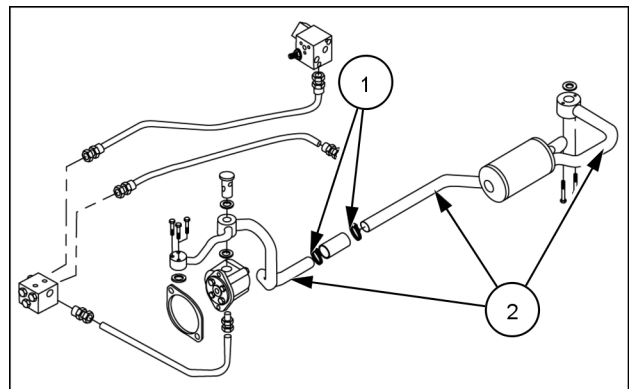
NHIL13CT01033AA 1

3. Disconnect headlight wire harness.
4. See **Hood - Remove (90.100)**.
5. Disconnect the main and engine wire harnesses.
6. Turn off fuel supply at the filter **(1)**, and then disconnect fuel hose.



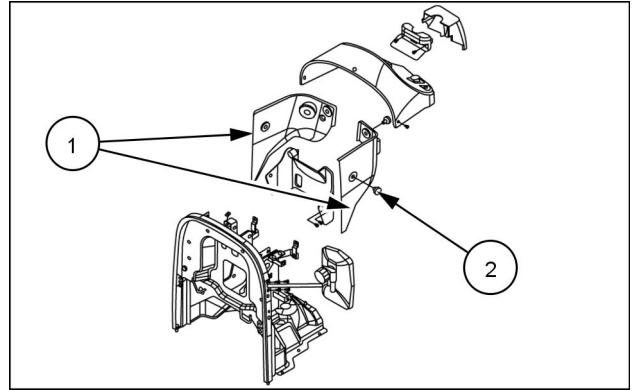
93102239 2

7. Position a drain pan to collect drain oil and unfasten clamps **(1)**.
8. Disassemble suction tube assembly **(2)**.



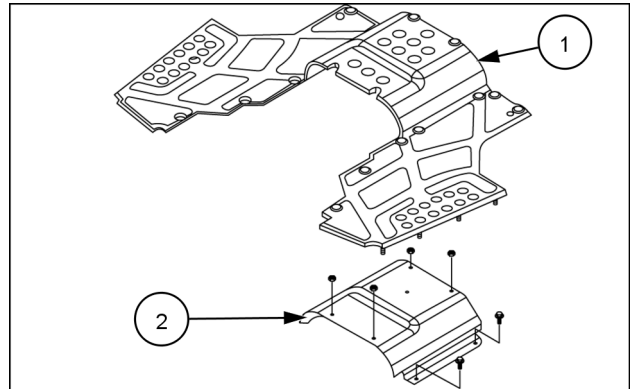
93102240 3

9. Remove the knobs **(2)** on both rear cover halves **(1)** and remove.



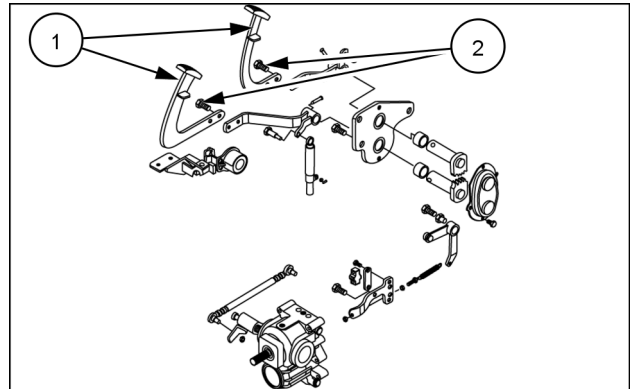
93102241 4

10. Remove the mat **(1)**.
11. Remove the M8 nuts and bolts and remove cover **(2)**.



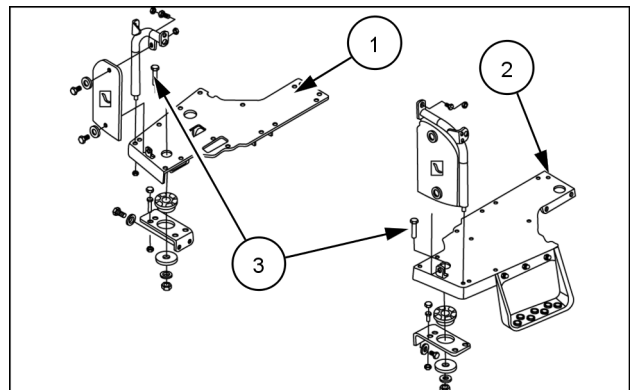
93102242 5

12. Remove the bolts **(2)** and remove the pedals **(1)**.



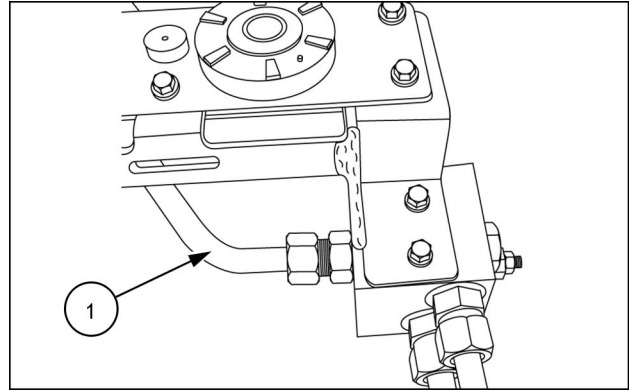
93102243 6

13. Remove the seven M8 and one M24 bolts **(3)**.
14. Remove right-hand step **(1)** and left-hand step **(2)**.



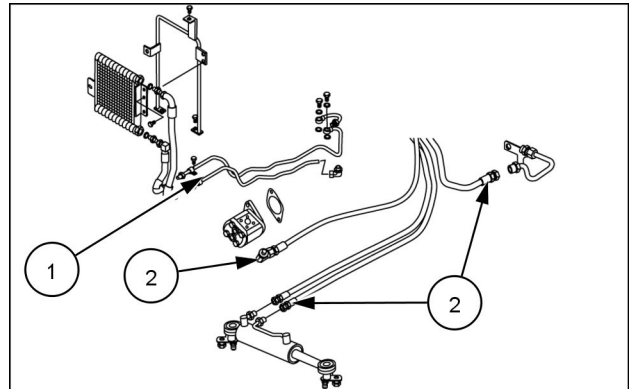
93102244 7

15. Disconnect the front high pressure tube (1).



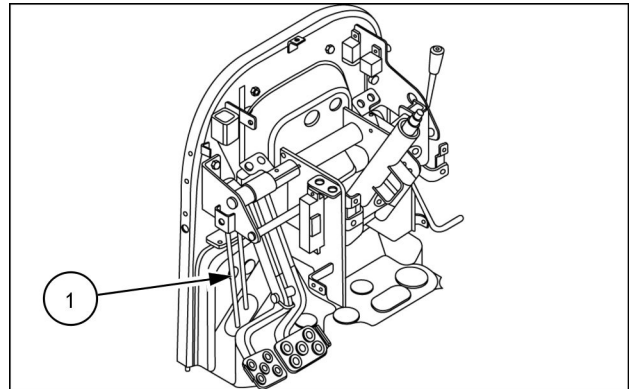
93102245 8

16. Disconnect steering hoses (2) and tubes (1).



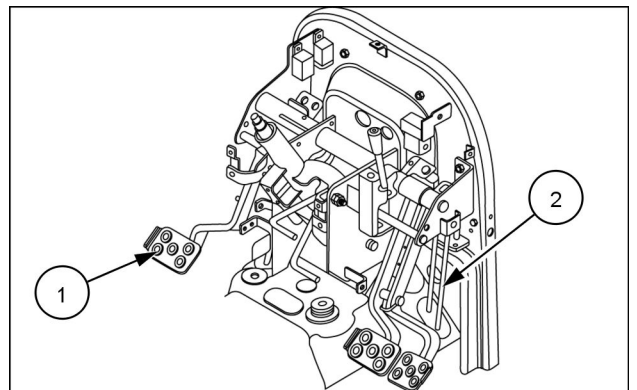
93102246 9

17. Disconnect brake the rod (1), Hydrostatic Transmission (HST) or gear transmission.



93102247 10

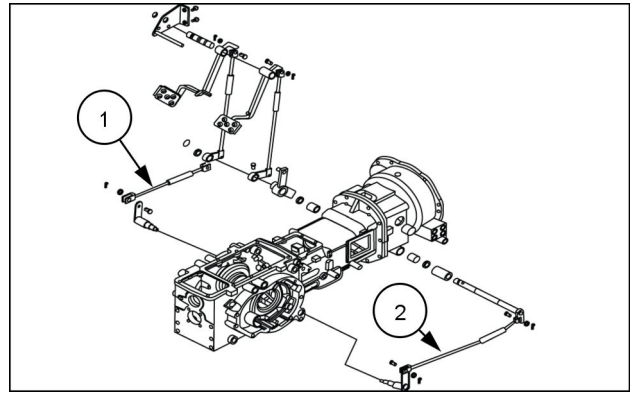
18. Disconnect brake rod (2) on the right-hand side and clutch rod on the left-hand side; gear transmission only.



93102248 11

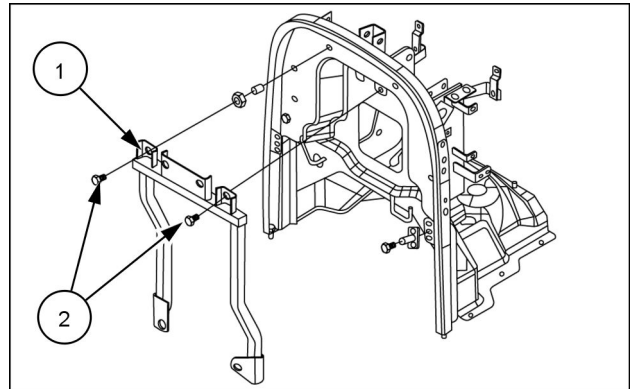
(1) Clutch pedal

1. Disassemble the brake rods linkage (1) and (2) as shown.



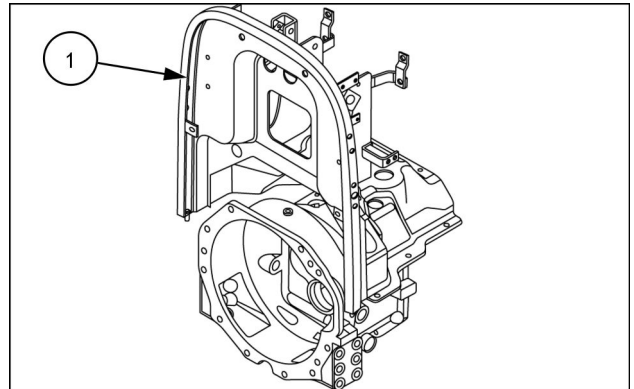
93102250 12

2. Remove bolts (2) securing the frame (1) to the fire wall, and remove frame.



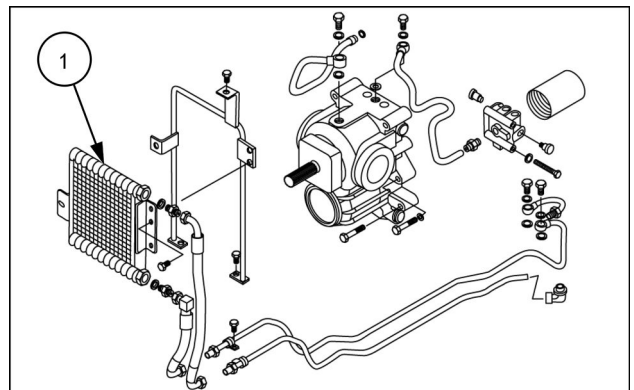
93102251 13

3. Remove the fire wall (1) with the aid of a hoist.



93102252 14

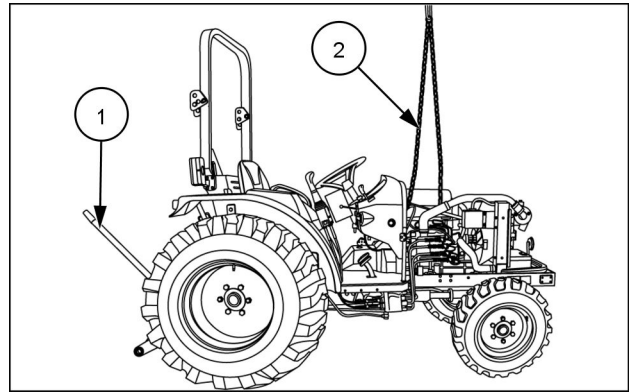
4. Disconnect and remove the oil cooler (1) and related parts, as shown in figure 15.



93102253 15

Secure the tractor for separation:

1. Attach a chain sling (2) to the two hoist eyes on the engine: One located on the left-hand side above the exhaust manifold, the other on the right-hand side to the rear of the injector rail.
2. Attach a suitable hoist to the chain sling.
3. Roll a floor jack (1) under the tractor from the rear of the tractor, and place under the clutch housing. Raise the jack enough to support the drive train.

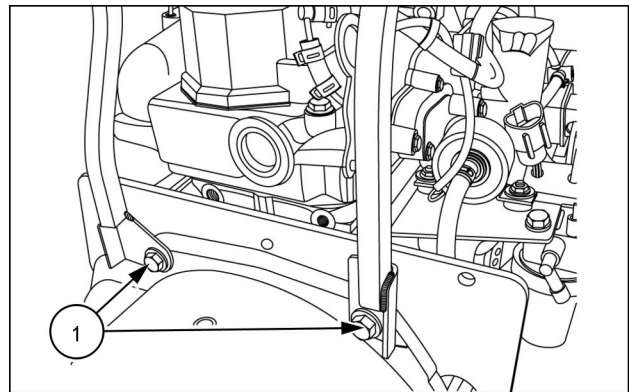


93105782 16

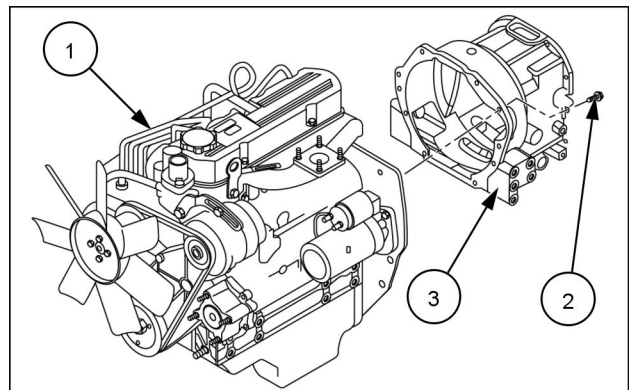
4. Remove eight M12 bolts (2) holding the engine (1) and transmission (3), while checking front wheel drive shaft for separation from the transmission.

NOTE: The hoist and/or the floor jack may need to be raised or lowered to allow the separation of the engine from the clutch housing.

5. Carefully roll the drive train away from the engine, using the floor jack for support.



93102254 17



93105783 18



Suggest:

If the above button click is invalid.

Please download this document

first, and then click the above link

to download the complete manual.

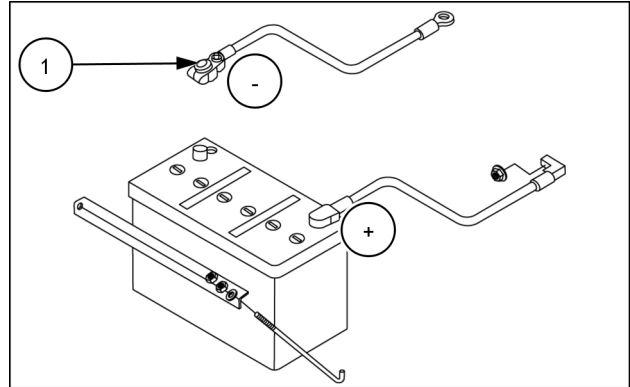
Thank you so much for reading

Engine - Remove

Boomer™ 41 TIER 4B (FINAL), Cab	NA
Boomer™ 47 TIER 4B (FINAL), Cab	NA

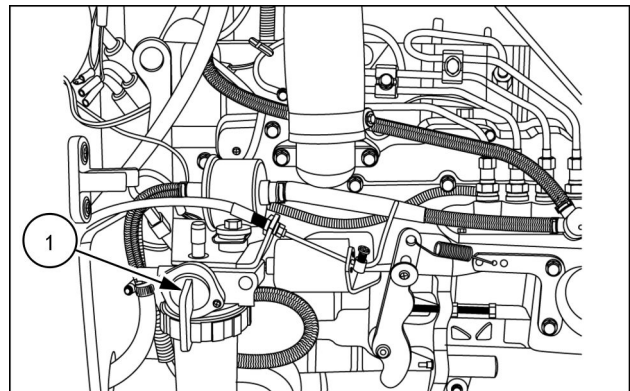
NOTICE: Prior to engine removal, the air conditioning system must be evacuated. (See **Air conditioning - Service instruction - Evacuating the Refrigerant (50.200)**, and the A/C lines must be disconnected.

1. Chock all four wheels so that the tractor cannot move.
2. Disconnect the negative (-) battery cable (1).



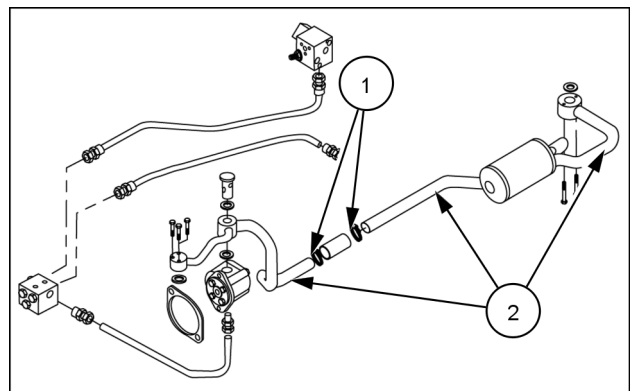
93102237 1

3. Disconnect the headlight wire harness.
4. See **Hood - Remove (90.100)**.
5. Disconnect the main and engine wire harnesses.
6. Turn off fuel supply at the filter (1), and then disconnect fuel hose.



93102239 2

7. Position a drain pan to collect drain oil and unfasten clamps (1).
8. Disassemble the suction tube assembly (2).



93102240 3

<https://www.ebooklibonline.com>

Hello dear friend!

Thank you very much for reading.

Enter the link into your browser.

The full manual is available for immediate download.

<https://www.ebooklibonline.com>