

SERVICE MANUAL

Boomer™ 33
Boomer™ 37
Tier 4B (final)
Compact Tractor

Part number 47941899

2nd edition English

March 2016

Replaces part number 47700453





SERVICE MANUAL

Boomer™ 33
Boomer™ 37 TIER 4B (FINAL), Cab
Boomer™ 37 TIER 4B (FINAL), ROPS

Link Product / Engine

Product	Market Product	Engine
Boomer™ 33	North America	N843T-F-24
Boomer™ 37 TIER 4B (FINAL), ROPS	North America	N843LT-F-27
Boomer™ 37 TIER 4B (FINAL), Cab	North America	N843LT-F-27

<https://www.ebooklibonline.com>

Hello dear friend!

Thank you very much for reading.

Enter the link into your browser.

The full manual is available for immediate download.

<https://www.ebooklibonline.com>

Contents

INTRODUCTION

Engine	10
[10.001] Engine and crankcase	10.1
[10.202] Air cleaners and lines	10.2
[10.206] Fuel filters	10.3
[10.304] Engine lubrication system.....	10.4
[10.400] Engine cooling system	10.5
[10.501] Exhaust Gas Recirculation (EGR) exhaust treatment.....	10.6
Clutch	18
[18.100] Clutch mechanical release control	18.1
[18.110] Clutch and components	18.2
[18.112] Slip clutch or flywheel damper	18.3
Transmission	21
[21.114] Mechanical transmission	21.1
[21.130] Mechanical transmission external controls.....	21.2
[21.140] Mechanical transmission internal components.....	21.3
Front axle system	25
[25.100] Powered front axle	25.1
[25.102] Front bevel gear set and differential	25.2
[25.310] Final drives	25.3
Rear axle system	27
[27.106] Rear bevel gear set and differential	27.1
[27.120] Planetary and final drives	27.2
Hydrostatic drive	29
[29.100] Transmission and steering hydrostatic control	29.1
[29.202] Hydrostatic transmission	29.2

[29.218] Pump and motor components.....	29.3
Power Take-Off (PTO).....	31
[31.101] Rear mechanical control	31.1
[31.104] Rear electro-hydraulic control.....	31.2
[31.110] One-speed rear Power Take-Off (PTO)	31.3
[31.120] Central Power Take-Off (PTO)	31.4
Brakes and controls	33
[33.110] Parking brake or parking lock	33.1
[33.120] Mechanical service brakes	33.2
Hydraulic systems.....	35
[35.000] Hydraulic systems.....	35.1
[35.104] Fixed displacement pump	35.2
[35.114] Three-point hitch control valve	35.3
[35.116] Three-point hitch cylinder	35.4
[35.204] Remote control valves	35.5
[35.300] Reservoir, cooler, and filters.....	35.6
[35.350] Safety and main relief valves	35.7
[35.355] Hydraulic hand control	35.8
Hitches, drawbars, and implement couplings.....	37
[37.108] Rear three-point hitch external controls.....	37.1
[37.110] Rear three-point hitch	37.2
[37.120] Rear three-point hitch linkage.....	37.3
Steering.....	41
[41.101] Steering control	41.1
[41.106] Tie rods.....	41.2
[41.200] Hydraulic control components.....	41.3
[41.216] Cylinders	41.4
Wheels.....	44

[44.511] Front wheels.....	44.1
[44.520] Rear wheels.....	44.2
Cab climate control	50
[50.100] Heating.....	50.1
[50.104] Ventilation	50.2
[50.200] Air conditioning.....	50.3
Electrical systems	55
[55.000] Electrical system	55.1
[55.011] Fuel tank system	55.2
[55.031] Parking brake electrical system.....	55.3
[55.048] Rear Power Take-Off (PTO) control system	55.4
[55.100] Harnesses and connectors.....	55.5
[55.201] Engine starting system	55.6
[55.202] Cold start aid	55.7
[55.302] Battery.....	55.8
[55.404] External lighting	55.9
[55.405] External lighting switches and relays	55.10
[55.408] Warning indicators, alarms, and instruments	55.11
[55.513] Cab transmission controls.....	55.12
[55.518] Wiper and washer system.....	55.13
[55.525] Cab engine controls.....	55.14
[55.610] Ground speed control	55.15
[55.640] Electronic modules	55.16
[55.989] Exhaust Gas Recirculation (EGR) electrical system	55.17
[55.DTC] FAULT CODES.....	55.18
Platform, cab, bodywork, and decals	90
[90.100] Engine hood and panels	90.1
[90.114] Operator protections	90.2

[90.116] Fenders and guards 90.3
[90.120] Mechanically-adjusted operator seat..... 90.4
[90.150] Cab 90.5
[90.151] Cab interior..... 90.6
[90.154] Cab doors and hatches 90.7
[90.156] Cab glazing 90.8



INTRODUCTION

Foreword

Boomer™ 33	NA
Boomer™ 37	NA

This repair manual provides the technical information needed to properly service the NEW HOLLAND models Boomer 33 and 37 tractors. Use this manual in conjunction with the operator's manual for complete operation, adjustment, and maintenance information

On NEW HOLLAND equipment, left and right are determined by standing behind the unit, looking in the direction of travel.

NOTICE: *Emissions sensors in the exhaust system and on the vehicle may be damaged by vibrations from use of impact wrenches or hammers during service work. Avoid using these tools when servicing components close to the sensors. Remove the sensors with care if use of these tools cannot be avoided.*

Safety rules

Boomer™ 33	NA
Boomer™ 37	NA


Personal safety





This is the safety alert symbol. It is used to alert you to potential personal injury hazards. Obey all safety messages that follow this symbol to avoid possible death or injury.

Throughout this manual you will find the signal words DANGER, WARNING, and CAUTION followed by special instructions. These precautions are intended for the personal safety of you and those working with you.

Read and understand all the safety messages in this manual before you operate or service the machine.

 DANGER indicates a hazardous situation that, if not avoided, will result in death or serious injury.

 WARNING indicates a hazardous situation that, if not avoided, could result in death or serious injury.

 CAUTION indicates a hazardous situation that, if not avoided, could result in minor or moderate injury.

FAILURE TO FOLLOW DANGER, WARNING, AND CAUTION MESSAGES COULD RESULT IN DEATH OR SERIOUS INJURY.

Machine safety

NOTICE: Notice indicates a situation that, if not avoided, could result in machine or property damage.

Throughout this manual you will find the signal word Notice followed by special instructions to prevent machine or property damage. The word Notice is used to address practices not related to personal safety.

Information

NOTE: Note indicates additional information that clarifies steps, procedures, or other information in this manual.

Throughout this manual you will find the word Note followed by additional information about a step, procedure, or other information in the manual. The word Note is not intended to address personal safety or property damage.



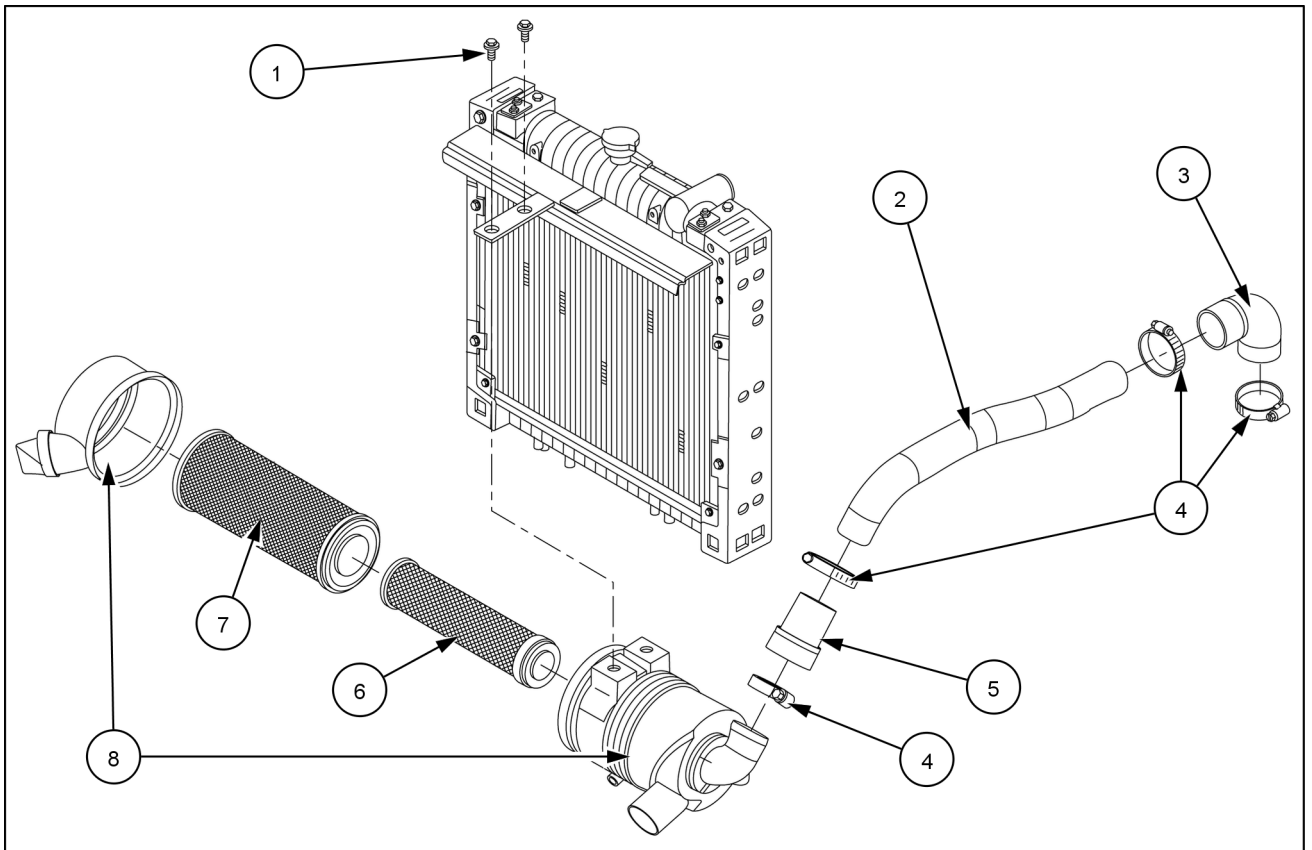
SERVICE MANUAL

Engine

Boomer™ 33

Boomer™ 37 TIER 4B (FINAL), Cab
Boomer™ 37 TIER 4B (FINAL), ROPS

Engine and crankcase - Exploded view – Air cleaner



NHIL14CT00166FA 1

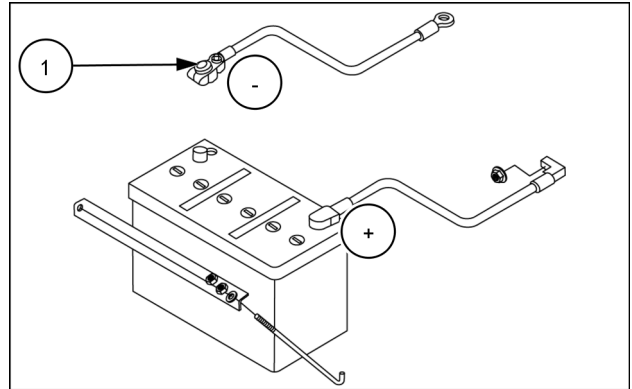
- (1)** M8 x 20 Hex bolt
- (2)** Air intake pipe
- (3)** 90 ° Air intake hose
- (4)** Hose clamps

- (5)** Air intake adapter hose
- (6)** Safety filter
- (7)** Primary element
- (8)** 6 in Air cleaner housing

Engine - Remove

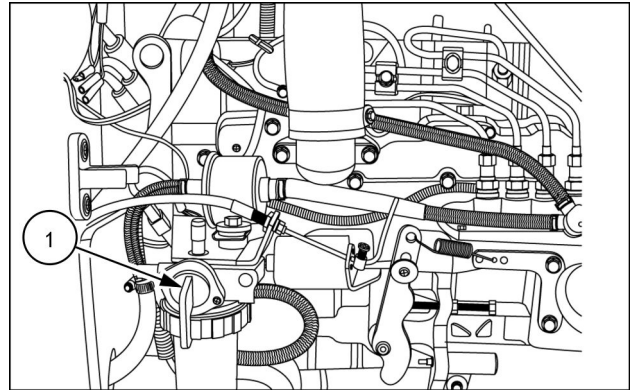
Boomer™ 33	NA
Boomer™ 37 TIER 4B (FINAL), ROPS	NA

1. Chock all four wheels so that the tractor cannot move.
2. Disconnect the negative (-) battery cable **(1)**.



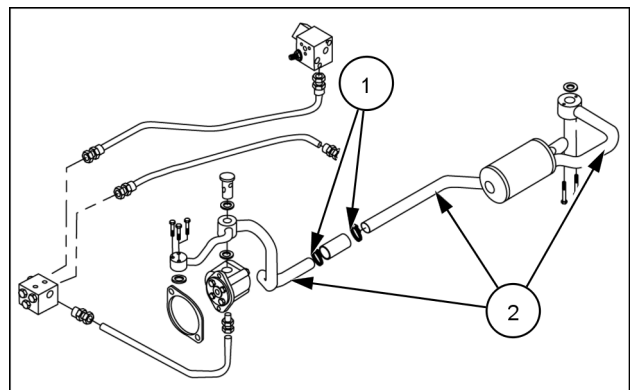
93102237 1

3. Disconnect the headlight wire harness.
4. Remove the hood. (See **Hood - Remove (90.100)** **Hood - Remove (90.100)**.)
5. Disconnect the main and engine wire harnesses.
6. Turn off fuel supply at the filter **(1)**, and then disconnect fuel hose.



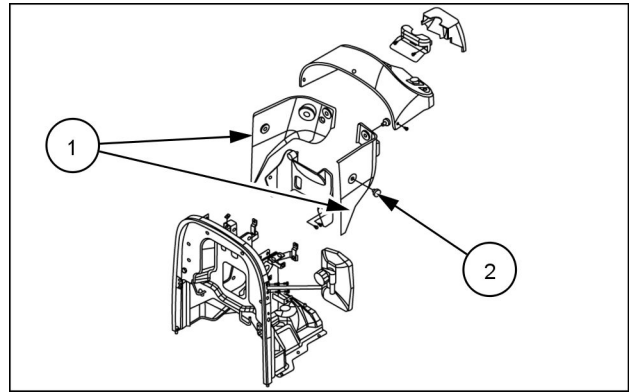
93102239 2

7. Position a drain pan to collect drain oil and unfasten clamps **(1)**.
8. Disassemble the suction tube assembly **(2)**.



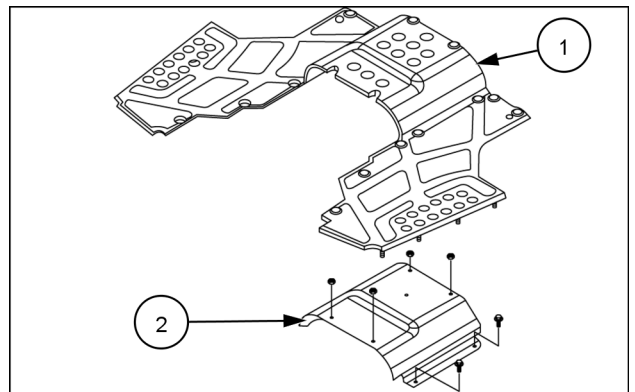
93102240 3

9. Unfasten the knobs **(2)** on both rear cover halves **(1)** and remove.



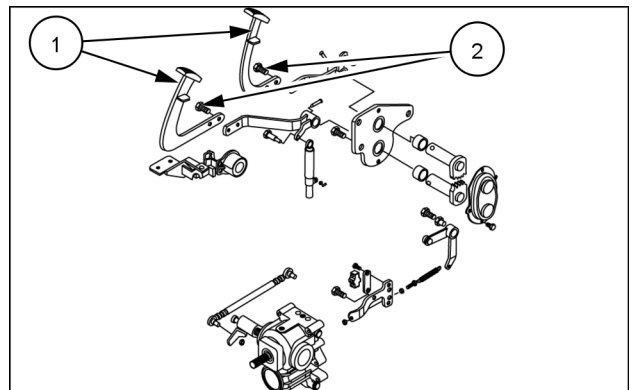
93102241 4

10. Remove mat **(1)**.
11. Unscrew the M8 nuts and bolts and remove cover **(2)**.



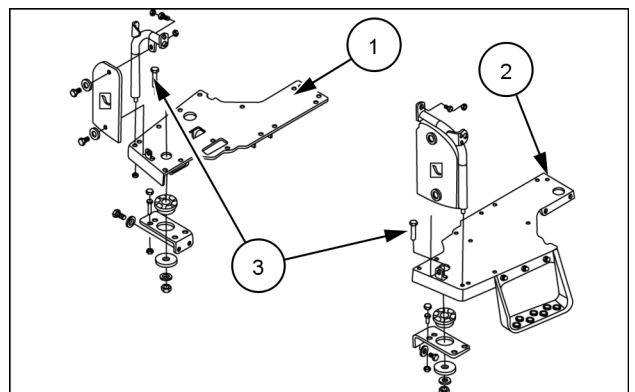
93102242 5

12. Unfasten bolts **(2)** and remove pedals **(1)**.



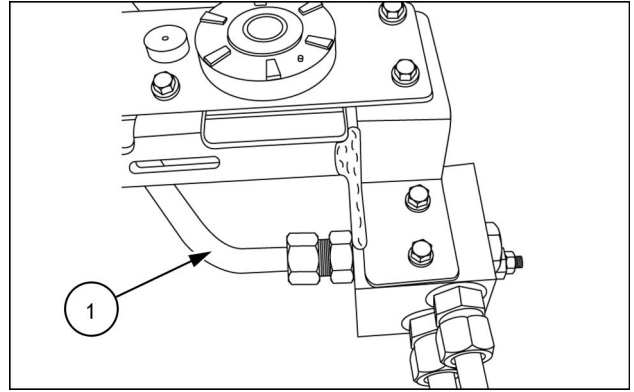
93102243 6

13. Unfasten seven M8 and one M24 bolts **(3)**.
14. Remove the right-hand step **(1)** and left-hand step **(2)**.



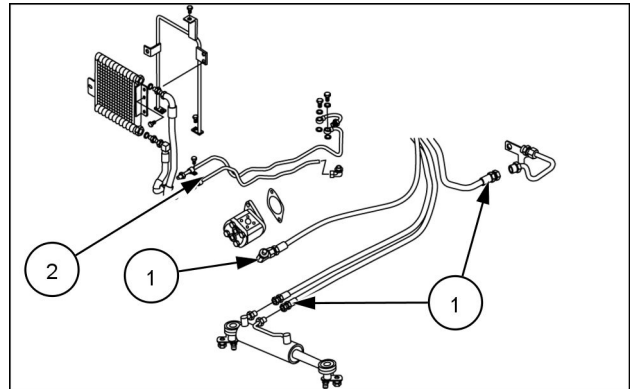
93102244 7

15. Disconnect the front high pressure tube **(1)**.



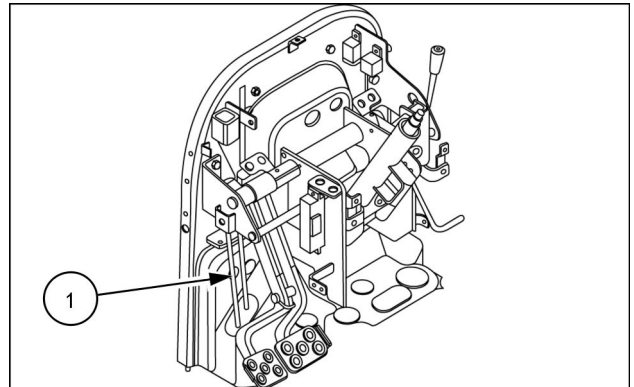
93102245 8

16. Disconnect the steering hoses **(1)** and tubes **(2)**.



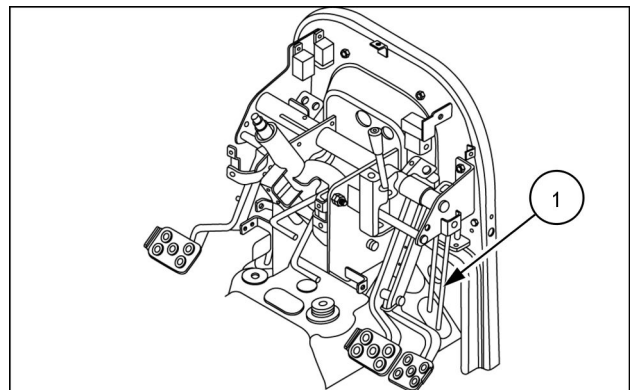
93102246 9

17. Disconnect the brake rod **(1)**; Hydrostatic or gear transmission.



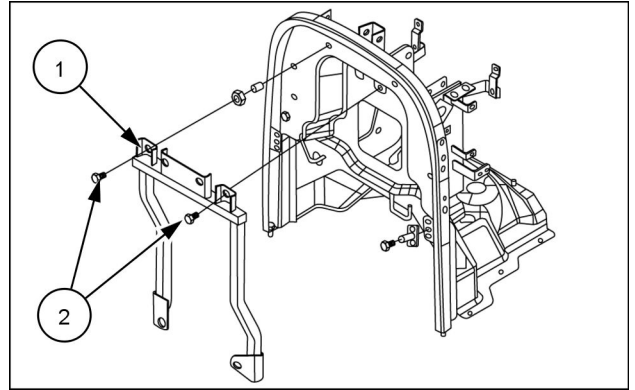
93102247 10

18. Disconnect the brake rod **(1)** on the right-hand side and clutch rod on the left-hand side; gear transmission only.



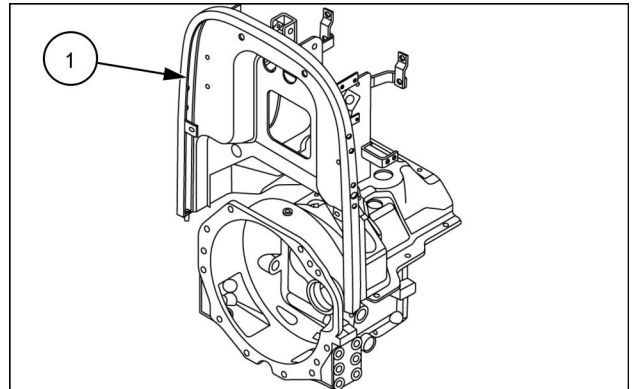
93102248 11

19. Unfasten bolts (2) securing the frame (1) to the fire-wall.
20. Remove the frame (2).



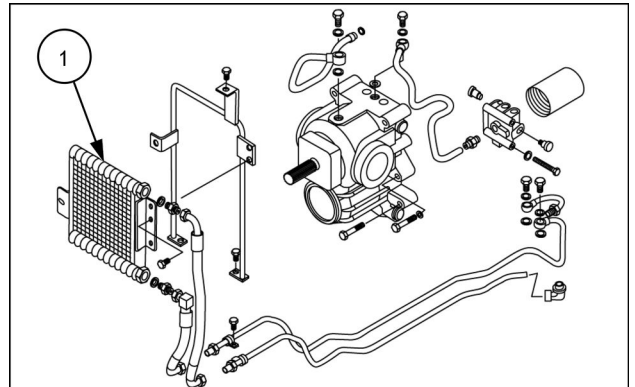
93102251 12

21. Use a hoist to carefully remove the firewall (1).



93102252 13

22. Disconnect and remove the oil cooler (1) and related parts, as shown in figure 14.

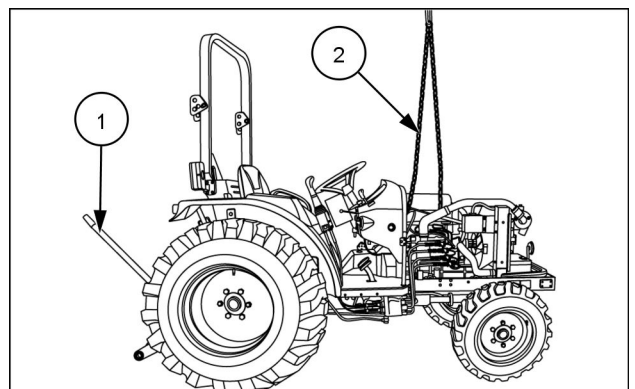


93102253 14

23. Attach a chain sling (2) to the two hoist eyes on the engine.

NOTE: One is located on the left-hand side above the exhaust manifold, the other on the right-hand side to the rear of the injector rail.

24. Attach a suitable hoist to the chain sling and secure the tractor for separation.
25. Roll a floor jack (1) under the tractor from the rear of the tractor, and place under the clutch housing. Raise the jack enough to support the drive train.



93105782 15



Suggest:

If the above button click is invalid.

Please download this document

first, and then click the above link

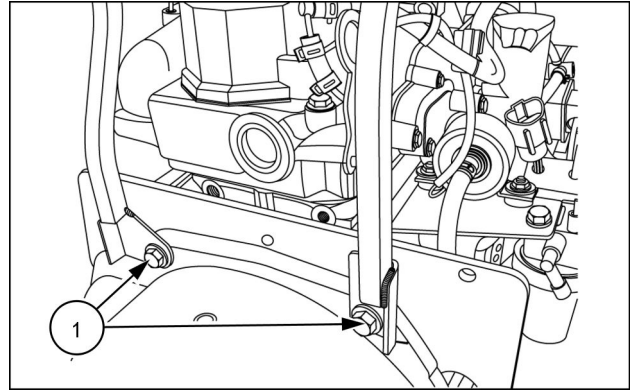
to download the complete manual.

Thank you so much for reading

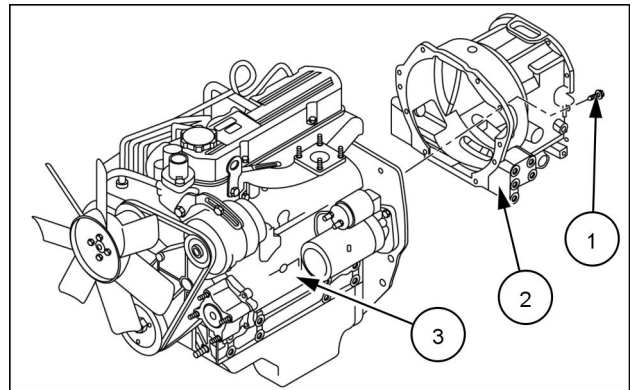
26. Unfasten eight M12 bolts (1) holding the engine (3) and transmission (2), while checking front wheel drive shaft for separation from the transmission.

NOTE: The hoist and/or the floor jack may need to be raised or lowered to allow the separation of the engine from the clutch housing.

27. Use the floor jack for support and carefully roll the drive train away from the engine.



93102254 16



93105783 17

<https://www.ebooklibonline.com>

Hello dear friend!

Thank you very much for reading.

Enter the link into your browser.

The full manual is available for immediate download.

<https://www.ebooklibonline.com>