

# PARTS CATALOG

**Product Line**

**CATALOGO PARTI  
DI RICAMBIO**

**Model MH2.6**

**CATALOGUE DES PIECES  
DETACHEES**

**ERSATZTEILKATALOG**

**CATÁLOGO DES PIEZAS  
DE REPUESTO**

**CATÁLOGO DE PEÇAS  
SOBRESSALENTES**

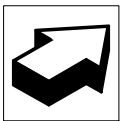
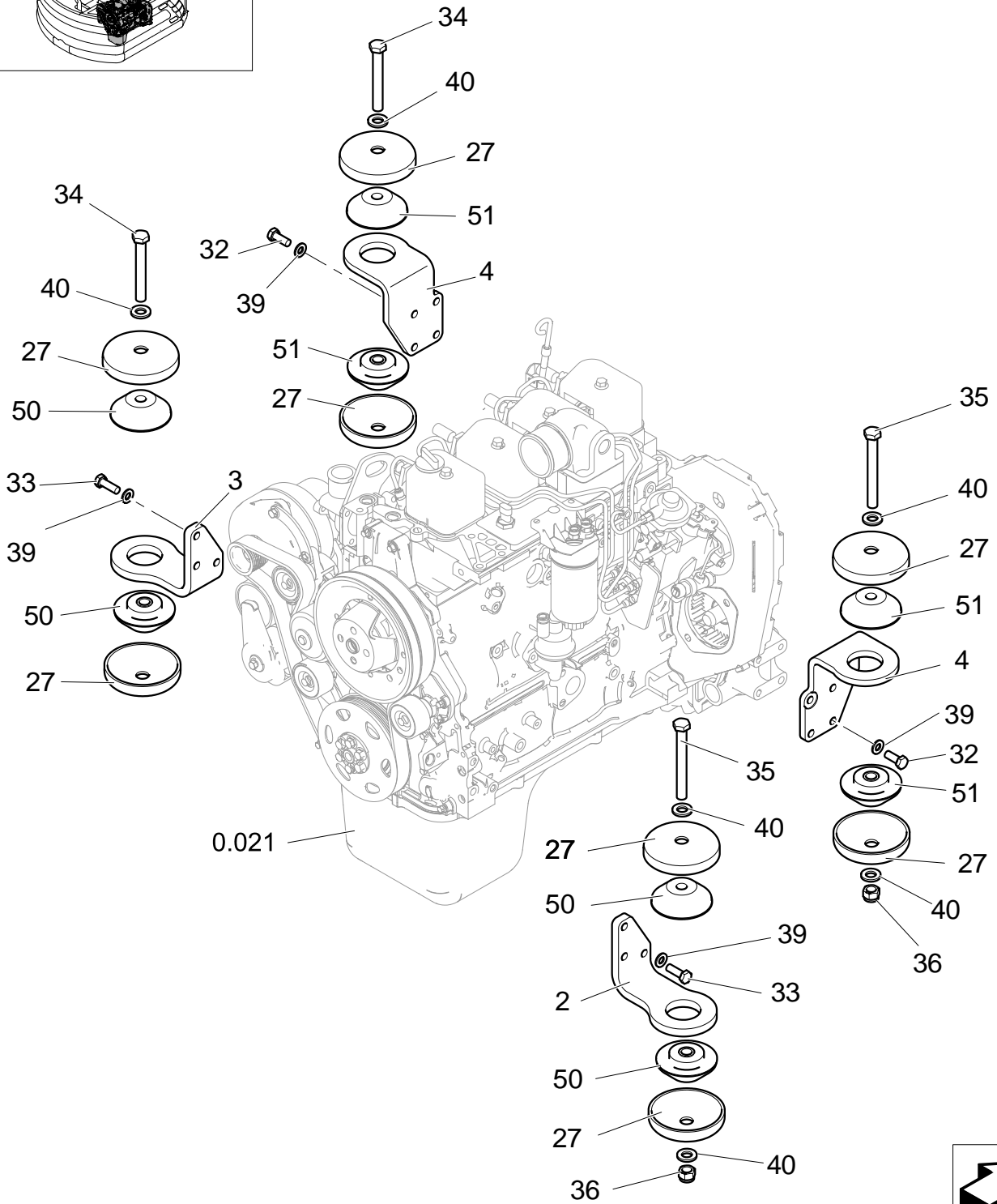
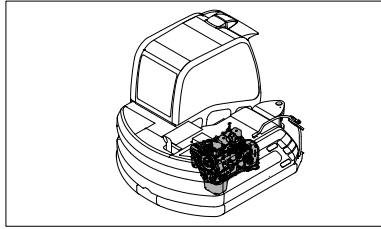
**ONDERDELENLIJST**

**RESERVEDELSKATALOG**

**CATALOGUE n. 604.04.284.00**  
1<sup>st</sup> Edition 12 - 2006

 **NEW HOLLAND**

ENGINE SUSPENSIONS  
SOSPENSIONI MOTORE  
SUSPENSIONS DU MOTEUR  
MOTORAUFGAENGUNG



**0.000**

01

p1

06/06

**ANCLAJES MOTOR**

R	N	P.N.	MOD	Q	Description Denominacion	Descrizione Denominação	Description Beschrijving	Bezeichnung Beskrivelse	L.C.
2		72109204		1	SUPPORT, - FRONT LEFT SOPORTE	SUPPORTO SUPORTE	SUPPORT STEUN	HALTERUNG, LAGERBO BESLAG	300S
3		72110938		1	SUPPORT, - RIGHT SOPORTE	SUPPORTO SUPORTE	SUPPORT STEUN	HALTERUNG, LAGERBO BESLAG	300S
4		72110945		2	SUPPORT SOPORTE	SUPPORTO SUPORTE	SUPPORT STEUN	HALTERUNG, LAGERBO BESLAG	300S
27		72116470		8	COVER TAPADERA	COPERCHIO COBERTA	COUVERCLE DEKSEL	ABDECKUNG DÆKSEL	265C
32		11112434		8	SCREW, Hex, M12 x 30, 10.9, Full Thd TORNILLO	VITE PARAFUSO	VIS SCHROEF	SCHRAUBE SKRUE	040V
33		11112634		6	SCREW, 12X1,75X35 TORNILLO	VITE PARAFUSO	VIS SCHROEF	SCHRAUBE SKRUE	040V
34		{11120334}		2	16X120				
35		11120734		2	SCREW, 16X140 TORNILLO	VITE PARAFUSO	VIS SCHROEF	SCHRAUBE SKRUE	040V
36		12577421		2	NUT, 16X2 TUERCA	DADO PORCA	ECROU MOER	MUTTER MOETRIK	010D
39		14496731		14	WASHER, 12X24 ARANDELA	ROSETTA PIANA ANILHA	RONDELLE SLUITRING	UNTERLEGSCHIEBE FLADSKIVE	131R
40		71405003		6	WASHER, 17 ARANDELA	ROSETTA PIANA ANILHA	RONDELLE SLUITRING	UNTERLEGSCHIEBE FLADSKIVE	131R
50		72111572		4	SHOCK ABSORBER AMORTIGUADOR	AMMORTIZZATORE AMORTECEDOR	AMORTISSEUR SCHOKDEMPEM	DÄMPFER STOEDDAEMPER	036A
51		72111573		4	SHOCK ABSORBER AMORTIGUADOR	AMMORTIZZATORE AMORTECEDOR	AMORTISSEUR SCHOKDEMPEM	DÄMPFER STOEDDAEMPER	036A

**MH2.6**

**<https://www.ebooklibonline.com>**

Hello dear friend!

Thank you very much for reading.

Enter the link into your browser.

The full manual is available for immediate download.

**<https://www.ebooklibonline.com>**

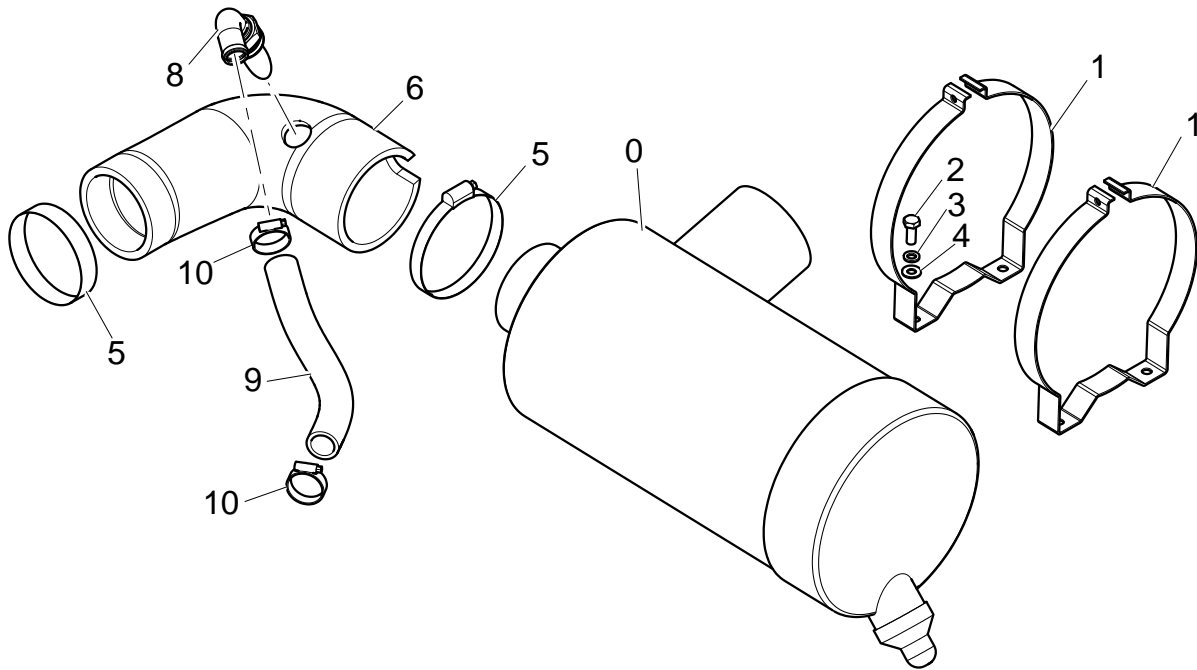
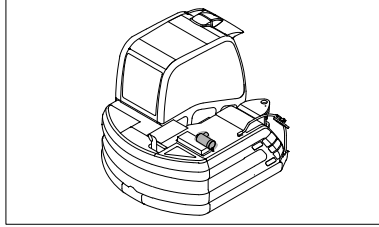
0.001

01

p1

10/06

AIR CLEANER  
FILTRO ARIA  
FILTRE A AIR  
LUFTFILTER



## FILTRO DE AIRE

R	N	P.N.	MOD	Q	Description Denominacion	Descrizione Denominação	Description Beschrijving	Bezeichnung Beskrivelse	L.C.
0		71492466		1	FILTER, AIR, - ASSY SEE PAGE 2	FILTRO ARIA	FILTRE A AIR	LUFTFILTER	066F
					FILTRO DE AIRE	FILTRO DE AR	LUCHTFILTER	LUFTFILTER	
1		151849520		2	BAND	NASTRO	BANDE	BAND	020N
					TIRA	CINTA	BAND	BAAND	
2		16043434		4	SCREW, Hex, M8 x 20, 10.9, Full Thd	VITE	VIS	SCHRAUBE	040V
					TORNILLO	PARAFUSO	SCHROEF	SKRUE	
3		10516674		4	WASHER, LOCK, 8	ROSETTA DI SICUREZZA	RONDELLE FREIN	SICHERUNGSSCHEIBE	132R
					ARANDELA DE FRENO	ANILHA DE FIXACAO	VEERRING	LAASESKIVE	
4		14496531		4	WASHER, M8 x 17 x 1.6	ROSETTA PIANA	RONDELLE	UNTERLEGSCHIEBE	131R
					ARANDELA	ANILHA	SLUITRING	FLADSKIVE	
5		72220487		2	CLIP, HOSE	COLLARE	COLLIER	SCHLAUCHKLEMME	180C
					COLLAR	COLAR	BUISKLEM	KRAVE	
6		72104215		1	RUBBER SLEEVE	MANICOTTO, GOMMA	MANCHON-CAOUTCHOL	GUMMITÜLLE	Z548
					MANGUITO CAUCHO	LUVA DE BORRACHA	MOF, RUBBER	GUMMIMANCHET	
8		72113646		1	CONNECTOR, ELEC	CONNESSIONE	CONNECTEUR	ELEKTRISCHER VERBIN	235C
					CONECTOR	CONECTOR	VERBINDING	STIK	
9		72117138		1	HOSE, FLEXIBLE	TUBO FLESSIBILE	TUYAU FLEXIBLE	BIEGSAMER SCHLAUCH	192T
					MANGA FLEXIBLE	TUBO FLEXIVEL	FLEXIBELE SLANG	FLEKSIBEL SLANGE	
10		154220507		2	COLLAR	FASCETTA	COLLIER	SPANNSATZ	031F
					ABRAZADERA	COLAR	SPANKRAAG	SLANGEBAAND	

MH2.6

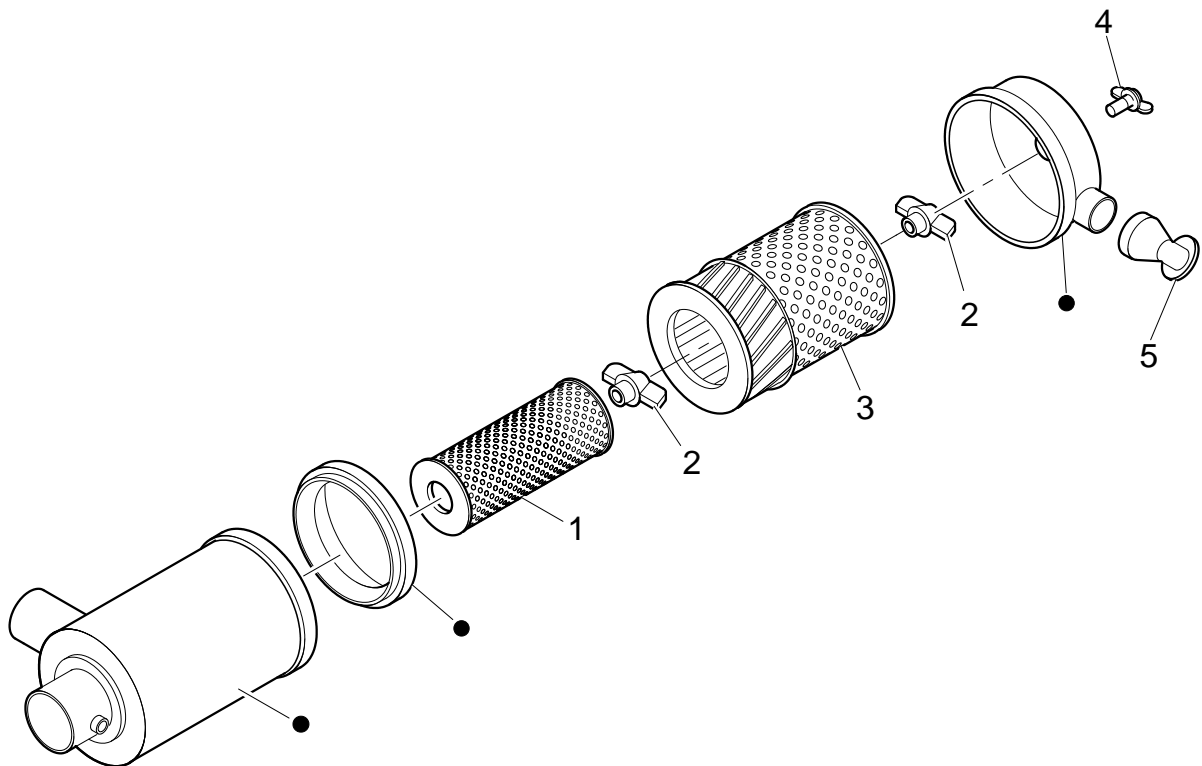
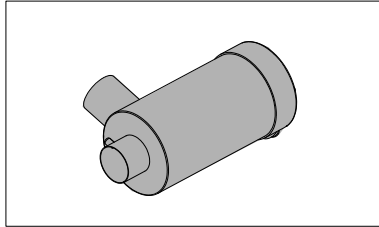
0.001

02

p1

12/05

AIR CLEANER  
FILTRO ARIA  
FILTRE A AIR  
LUFTFILTER



PARTS MARKED ● ARE NOT SUPPLIED AS SPARES  
I PARTICOLARI CONTRASSEGNA TI CON ● NON  
VENGONO FORNITI DI RICAMBIO

**0.001**

02

p1

12/05

**FILTRO DE AIRE**

R	N	P.N.	MOD	Q	Description Denominacion	Descrizione Denominação	Description Beschrijving	Bezeichnung Beskrivelse	L.C.
1		<b>71492460</b>		1	FILTER, ELEMENT ELEMENTO DE FILTRAD	ELEMENTO DEL FILTRO ELEMENTO DE FILTRO	ELÉMENT FILTRANT FILTERELEMENT	FILTERELEMENT FILTERELEMENT	020E
2		<b>151849510</b>		2	NUT TUERCA	DADO PORCA	ECROU MOER	MUTTER MOETRIK	010D
3		<b>71492463</b>		1	FILTER, ELEMENT ELEMENTO DE FILTRAD	ELEMENTO DEL FILTRO ELEMENTO DE FILTRO	ELÉMENT FILTRANT FILTERELEMENT	FILTERELEMENT FILTERELEMENT	020E
4		<b>151849513</b>		1	SCREW TORNILLO	VITE PARAFUSO	VIS SCHROEF	SCHRAUBE SKRUE	040V
5		<b>151849514</b>		1	VALVE, HYDRAULIC VALVULA HIDRAULICA	VALVOLA IDRAULICA VALVULA HIDRAULICA	SOUPAPE HYDRAULIQU KLEP, HYDRAULISCH	HYDRAULIKVENTIL VENTIL HYDRAULIK	010V

AIR CLEANER ASSY P/N 71492466

**MH2.6**

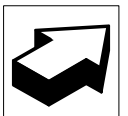
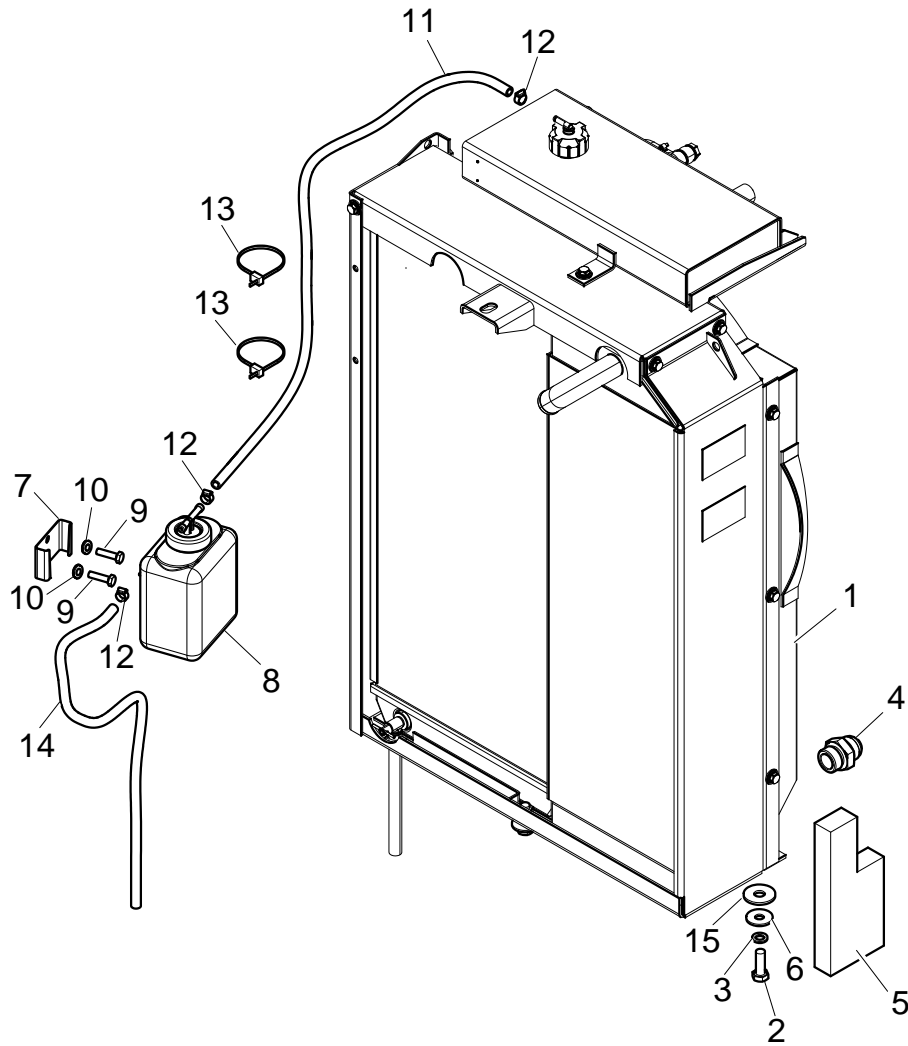
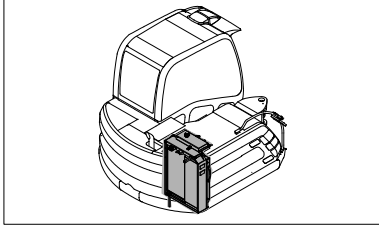


## SILENCIADOR

R	N	P.N.	MOD	Q	Description Denominacion	Descrizione Denominação	Description Beschrijving	Bezeichnung Beskrivelse	L.C.
1		72104027		1	MUFFLER SILENCIADOR	SILENZIATORE SILENCIADOR	SILENCIEUX KNALPOT	SCHALLDÄMPFER LYDDAEMPER	160S
2		72113530		2	GUARD DEFENSA	RIPARO PROTECCAO	GARANT AFSCHERMING	SCHUTZEINRICHTUNG BESKYTTELSSESKAERM	070R
3		72103993		2	U-BOLT HORQUILLA	CAVALLOTTO MOLA DE ENGATE	CAVALIER VEERKLEM	BÜGELSCHRAUBE HAARNAAL	100C
4		14496531		10	WASHER, M8 x 17 x 1.6 ARANDELA	ROSETTA PIANA ANILHA	RONDELLE SLUITRING	UNTERLEGSCHIEBE FLADSKIVE	131R
5		16100821		8	NUT, M8, CI 10 TUERCA	DADO PORCA	ECROU MOER	MUTTER MOETRIK	010D
6		72108884		1	MANIFOLD, EXHAUST COLECTOR DE ESCAPE	CONDOTTO DI SCARICC COLECTOR DE ESCAPE	CONDUIT D'ECHAPPEME UITLAATBUIS	ABGASKRÜMMER UDSTOEDNINGSMANIFC	230C
7		72108871		1	COLLAR ABRAZADERA	FASCETTA COLAR	COLLIER SPANKRAAG	SPANNSATZ SLANGEBAAND	031F
8		72107089		1	COLLAR ABRAZADERA	FASCETTA COLAR	COLLIER SPANKRAAG	SPANNSATZ SLANGEBAAND	031F
9		72108909		1	PLATE, - ASSY PLACA	PIASTRA CHAPA	PLAQUE PLAAT	BLECH, PLATTE PLADE	105P
9A		72108908		1	GASKET JUNTA HERMETICA	GUARNIZIONE JUNTA	JOINT DICHTINGSSTUK	DICHTUNG, FLACH PAKNING	123G
10		72108887		1	SEAL ANILLO DE CIERRE	ANELLO DI TENUTA ANEL DE VEDACAO	JOINT DICHTINGSRING	DICHTUNG PAKNINGSRING	132A
11		11106234		3	SCREW, Hex, M10 x 25, 10.9, Full Thd, 10X25 TORNILLO	VITE PARAFUSO	VIS SCHROEF	SCHRAUBE SKRUE	040V
12		14496631		3	WASHER, M10 x 21 x 2 ARANDELA	ROSETTA PIANA ANILHA	RONDELLE SLUITRING	UNTERLEGSCHIEBE FLADSKIVE	131R
13		14496431		3	WASHER, 6X12,5 ARANDELA	ROSETTA PIANA ANILHA	RONDELLE SLUITRING	UNTERLEGSCHIEBE FLADSKIVE	131R
14		10902634		3	SCREW, 6X25 TORNILLO	VITE PARAFUSO	VIS SCHROEF	SCHRAUBE SKRUE	040V
15		16043834		6	SCREW, Hex, M8 x 30, 10.9, Full Thd TORNILLO	VITE PARAFUSO	VIS SCHROEF	SCHRAUBE SKRUE	040V
16		10516674		6	WASHER, LOCK, 8 ARANDELA DE FRENO	ROSETTA DI SICUREZZA ANILHA DE FIXACAO	RONDELLE FREIN VEERRING	SICHERUNGSSCHIEBE LAASESKIVE	132R

MH2.6

RADIATOR  
RADIATORE  
RADIATEUR  
KÜHLER



## RADIADOR

R	N	P.N.	MOD	Q	Description Denominacion	Descrizione Denominação	Description Beschrijving	Bezeichnung Beskrivelse	L.C.
1		72116522		1	RADIATOR, - ASSY SEE PAGE 3	RADIATORE	RADIATEUR	KÜHLER	025R
					RADIADOR	ARREFECEDOR	RADIATOR KOELER	KØLER	
2		11112634		3	SCREW, 12X1,75X35	VITE	VIS	SCHRAUBE	040V
					TORNILLO	PARAFUSO	SCHROEF	SKRUE	
3		4952483		3	WASHER, 12,3X35X3	ROSETTA PIANA	RONDELLE	UNTERLEGSCHIEBE	131R
					ARANDELA	ANILHA	SLUITRING	FLADSKIVE	
4		72110955		1	FITTING	RACCORDO	RACCORD	FITTING	3300
					CONEXION	CONEXAO	FITTING	FITTING	
5		72117027		1	GASKET	GUARNIZIONE	JOINT	DICHTUNG, FLACH	123G
					JUNTA HERMETICA	JUNTA	DICHTINGSSTUK	PAKNING	
6		10517074		3	WASHER, LOCK, 12	ROSETTA DI SICUREZZA	RONDELLE FREIN	SICHERUNGSSCHIEBE	132R
					ARANDELA DE FRENO	ANILHA DE FIXACAO	VEERRING	LAASESKIVE	
7		72217974		1	SUPPORT	SUPPORTO	SUPPORT	HALTERUNG, LAGERBO	300S
					SOPORTE	SUPORTE	STEUN	BESLAG	
8		72109323		1	CONTAINER	CONTENITORE	CONTENEUR	BEHÄLTER	254C
					RECIPIENTE	RECIPIENTE	CONTAINER	BEHOLDER	
9		10902834		2	SCREW, 6X30	VITE	VIS	SCHRAUBE	040V
					TORNILLO	PARAFUSO	SCHROEF	SKRUE	
10		10516474		2	WASHER, LOCK, 6	ROSETTA DI SICUREZZA	RONDELLE FREIN	SICHERUNGSSCHIEBE	132R
					ARANDELA DE FRENO	ANILHA DE FIXACAO	VEERRING	LAASESKIVE	
11		{72117133}		1					
12		154204110		3	CLAMP	MORSETTO	BRIDE	KLEMME	120M
					BORNE	BORNE	KLEM	SP/ENDEBÅND	
13		4982514		R	COLLAR	FASCETTA	COLLIER	SPANNSATZ	031F
					ABRAZADERA	COLAR	SPANKRAAG	SLANGEBAAND	
14		{72117134}		1					
15		71408240		R	SHIM	SPESSORE	CALE D'EPaisseur	UNTERLEGSCHIEBE	198S
					SUPLEMENTO	CALCO DE AFINACAO	DIKTEPLAAT	MELLEMLÆG	

MH2.6

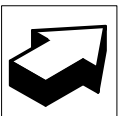
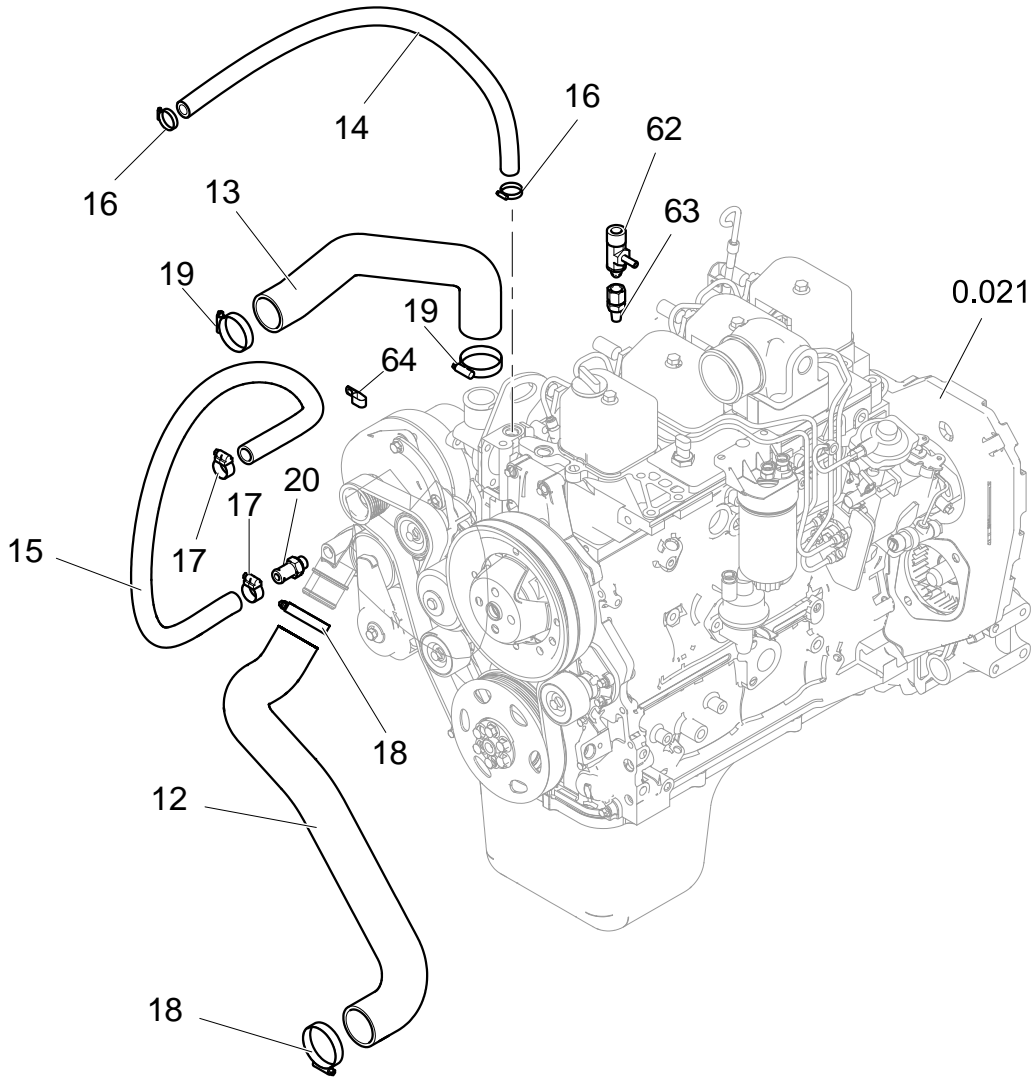
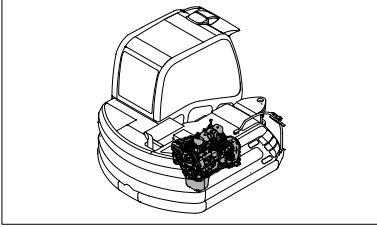
0.003

02

p1

05/06

RADIATOR  
RADIATORE  
RADIATEUR  
KÜHLER



## RADIADOR

R	N	P.N.	MOD	Q	Description Denominacion	Descrizione Denominação	Description Beschrijving	Bezeichnung Beskrivelse	L.C.
12		72117046		1	HOSE, LARGE Manguito	TUBO FLESSIBILE,GRDE MANGOTE	Durite SLANG, GROOT	SCHLAUCH, GROSS SLANGE, STOR	Z336
13		72117047		1	HOSE, LARGE Manguito	TUBO FLESSIBILE,GRDE MANGOTE	Durite SLANG, GROOT	SCHLAUCH, GROSS SLANGE, STOR	Z336
14		72116580		1	HOSE, FLEXIBLE MANGA FLEXIBLE	TUBO FLESSIBILE TUBO FLEXIVEL	TUYAU FLEXIBLE FLEXIBELE SLANG	BIEGSAMER SCHLAUCH FLEKSIBEL SLANGE	192T
15		72107079		1	HOSE, FLEXIBLE MANGA FLEXIBLE	TUBO FLESSIBILE TUBO FLEXIVEL	TUYAU FLEXIBLE FLEXIBELE SLANG	BIEGSAMER SCHLAUCH FLEKSIBEL SLANGE	192T
16		154204110		2	CLAMP BORNE	MORSETTO BORNE	BRIDE KLEM	KLEMME SPÆNDEBÅND	120M
17		154220505		2	COLLAR ABRAZADERA	FASCETTA COLAR	COLLIER SPANKRAAG	SPANNSATZII SLANGEBAAND	031F
18		71406248		2	COLLAR, #40, 2.12"-2.44", T-Bolt ABRAZADERA	FASCETTA COLAR	COLLIER SPANKRAAG	SPANNSATZII SLANGEBAAND	031F
19		71416864		2	CLIP, HOSE, #38, 2.06"-2.37", T-Bolt COLLAR	COLLARE COLAR	COLLIER BUISKLEM	SCHLAUCHKLEMMEII KRAVE	180C
20		72111622		1	CONNECTOR, HYD. RACOR	RACCORDO IDRAULICO CONECTOR	RACCORD VERBINDING	HYDRAULIKKUPPLUNGII FORSKRUNING	020R
62		72117196		1	CONNECTOR, HYD. RACOR	RACCORDO IDRAULICO CONECTOR	RACCORD VERBINDING	HYDRAULIKKUPPLUNGII FORSKRUNING	020R
63		71475454		1	CONNECTOR, HYD. RACOR	RACCORDO IDRAULICO CONECTOR	RACCORD VERBINDING	HYDRAULIKKUPPLUNGII FORSKRUNING	020R
64		71405770		1	COLLAR, RETAINER PLACA DE SUJECION	STAFFETTA FISSAGGIO COLAR RETENTOR	BRIDE-FIXATION/ COLLI STOPBEUGEL	HALTERBÜGEL SPÆNDRING	230S

MH2.6

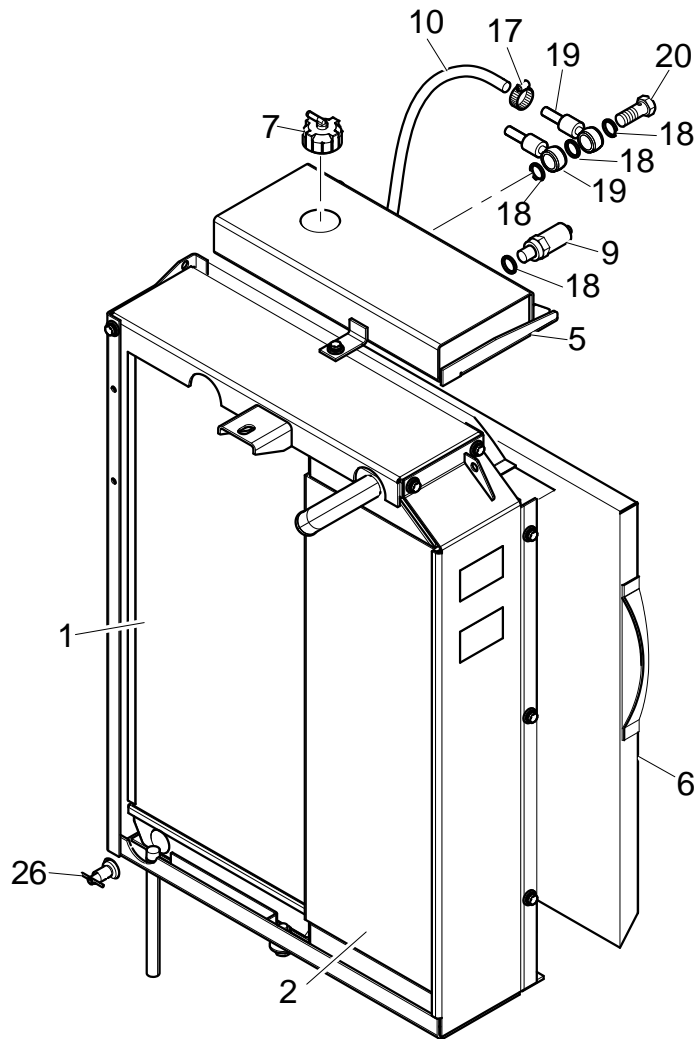
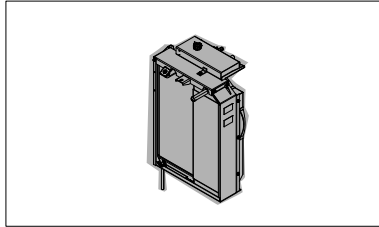
0.003

03

p1

02/06

RADIATOR - COMPONENTS  
RADIATORE - COMPONENTI  
RADIATEUR - COMPOSANTS  
KÜHLER - BESTANDTEILE



## RADIADOR - COMPONENTES

R	N	P.N.	MOD	Q	Description Denominacion	Descrizione Denominação	Description Beschrijving	Bezeichnung Beskrivelse	L.C.
1		72117561		1	RADIATOR RADIADOR	RADIATORE ARREFECEDOR	RADIATEUR RADIATORKOELER	KÜHLER KØLER	025R
2		72117570		1	COOLER, OIL RADIADOR ACEITE	RADIATORE OLIO ARREFECEDOR	REFROIDISSEUR D'HUILE RADIATOR	ÖLKÜHLER OLIEKØLER	026R
5		72117564		1	TANK DEPOSITO	SERBATOIO DEPOSITO	RESERVOIR TANK	TANK	115S
6		72117571		1	CONVEYOR CANALIZADOR	CONVOGLIATORE TRANSPORTADOR	CONVOYEUR TRANSPORTEUR	FÖRDERER TRANSPORTBAAND	260C
7		72115938		1	PLUG TAPÓN	TAPPO BUJAO	BOUCHON PLUG	STOPFEN PROP	050T
9		87375767		1	SENSOR SENSOR	SENSORE SENSOR	CAPTEUR SENSOR	SENSOR FØLER	608S
10		72117567		1	HOSE, FLEXIBLE MANGA FLEXIBLE	TUBO FLESSIBILE TUBO FLEXIVEL	TUYAU FLEXIBLE FLEXIBELE SLANG	BIEGSAMER SCHLAUCH FLEKSIBEL SLANGE	192T
17		13000190		2	CLAMP, HOSE ABRAZADERA MANGUEI	MORSETTO BRACADEIRA MANGUEI	BRIDE, FLEXIBLE SLANGKLEM	SCHLAUCHSCHELLE SLANGKLEMME	P729
18		71488736		4	GASKET, 14 JUNTA HERMETICA	GUARNIZIONE JUNTA	JOINT DICHTINGSSTUK	DICHTUNG, FLACH PAKNING	123G
19		72115935		2	EYELET ARGOLLA	OCCHIELLO ARGOLA	OEILLET OOGJE	ÖSE OESKEN	012O
20		72117569		1	CONNECTOR, HYD. RACOR	RACCORDO IDRAULICO CONECTOR	RACCORD VERBINDING	HYDRAULIKKUPPLUNG FORSKRUNING	020R
26		71491307		1	DRAINCOCK/TAP, SUPPLY GRIFO	RUBINETTO TORNEIRA	ROBINET KRAAN	ABLASSHAHN HANE	150R

RADIATOR ASSY P/N 72116522

MH2.6

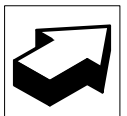
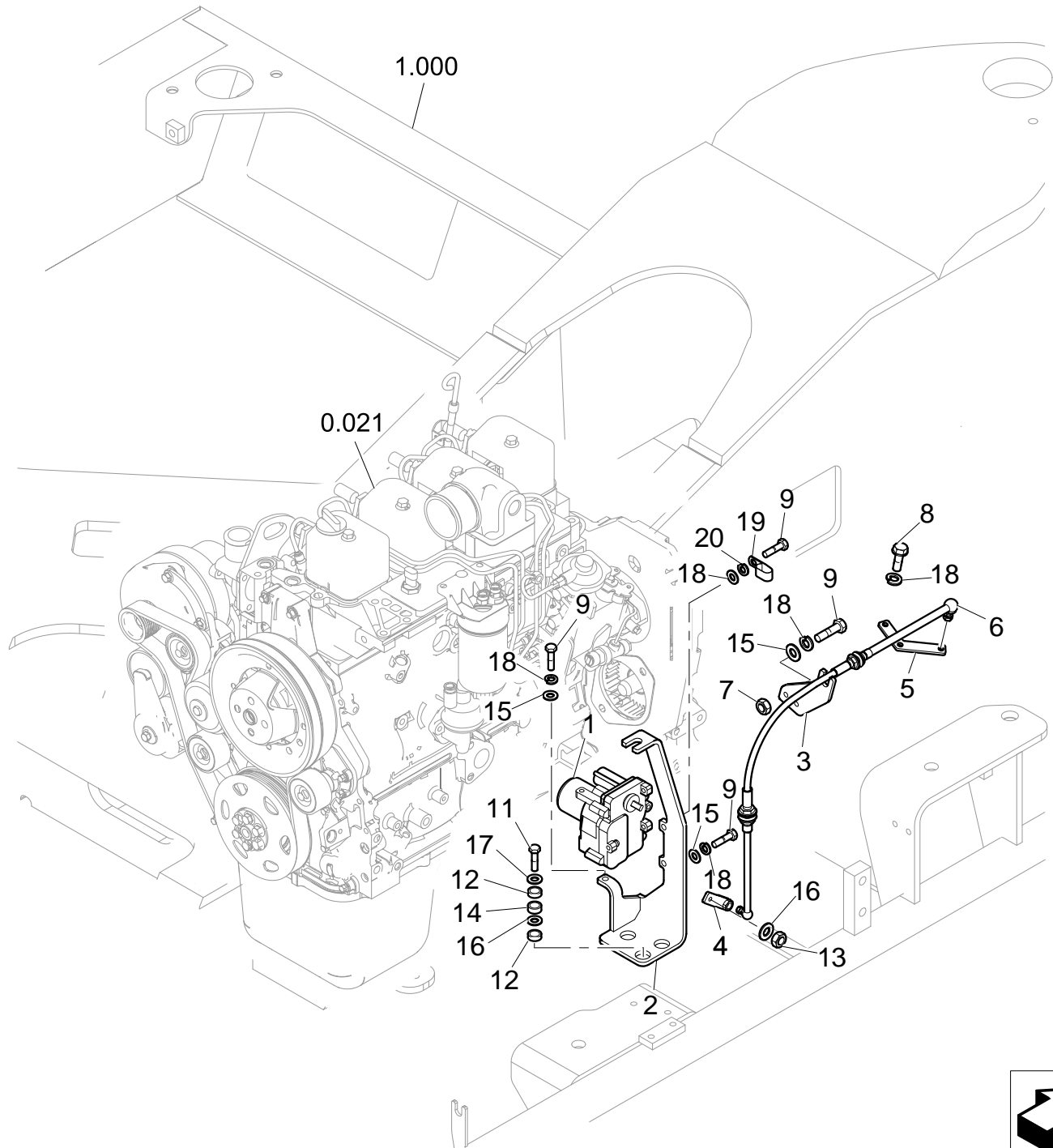
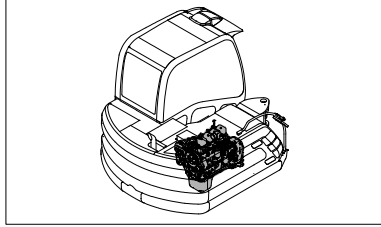
0.004

01

p1

10/06

ACCELERATOR CONTROLS  
COMANDO ACCELERATORE  
COMMANDES D'ACCELERATEUR  
GASREGULIERUNG



## MANDOS DEL ACELERADOR

R	N	P.N.	MOD	Q	Description Denominacion	Descrizione Denominação	Description Beschrijving	Bezeichnung Beskrivelse	L.C.
1		72107544		1	THROTTLE CONTROL MANDO DEL ACELERAD	COMANDO ACELERATI COMANDO DE ACELERA	COMMANDE D'ACCELEF BEDIENINGSKABEL, GA	GASBETÄTIGUNG GASREGULERINGSKABE	197C
2		72112847		1	SUPPORT SOPORTE	SUPPORTO SUPORTE	SUPPORT STEUN	HALTERUNG, LAGERBO BESLAG	300S
3		72112860		1	PLATE PLACA	PIASTRA CHAPA	PLAQUE PLAAT	BLECH, PLATTE PLADE	105P
4		72111455		1	LEVER PALANCA	LEVA ALAVANCA	LEVIER HEFBOOM	HEBEL HAANDTAG	045L
5		72111456		1	LEVER PALANCA	LEVA ALAVANCA	LEVIER HEFBOOM	HEBEL HAANDTAG	045L
6		72111458		1	THROTTLE CONTROL MANDO DEL ACELERAD	COMANDO ACELERATI COMANDO DE ACELERA	COMMANDE D'ACCELEF BEDIENINGSKABEL, GA	GASBETÄTIGUNG GASREGULERINGSKABE	197C
7		15896221		2	NUT, M6, CI 10 TUERCA	DADO PORCA	ECROU MOER	MUTTER MOETRIK	010D
8		10902034		2	SCREW, 6X12 TORNILLO	VITE PARAFUSO	VIS SCHROEF	SCHRAUBE SKRUE	040V
9		10902434		3	BOLT, Hex, M6 x 20, 10.9, TORNILLO	Full Thd BULLONE PARAFUSO	BOULON BOUT	SCHRAUBE SKRUE	140B
11		16043934		3	SCREW, Hex, M8 x 35, 10.9, TORNILLO	VITE PARAFUSO	VIS SCHROEF	SCHRAUBE SKRUE	040V
12		71476596		6	SPACER SEPARADOR	DISTANZIALE ESPACADOR	ENTRETOISE AFSTANDSRING	DISTANZSTÜCK AFSTANDSSTYKKE	075D
13		16102411		1	NUT, Thin, M8 x 1, CI 04 TUERCA	DADO PORCA	ECROU MOER	MUTTER MOETRIK	010D
14		71476336		3	SPACER SEPARADOR	DISTANZIALE ESPACADOR	ENTRETOISE AFSTANDSRING	DISTANZSTÜCK AFSTANDSSTYKKE	075D
15		14496431		4	WASHER, 6X12,5 ARANDELA	ROSETTA PIANA ANILHA	RONDELLE SLUITRING	UNTERLEGSSCHEIBE FLADSKIVE	131R
16		10516674		4	WASHER, LOCK, 8 ARANDELA DE FRENO	ROSETTA DI SICUREZZA/ ANILHA DE FIXACAO	RONDELLE FREIN VEERRING	SICHERUNGSSSCHEIBE LAASESKIVE	132R
17		12642021		3	WASHER, 8X25X1,5 ARANDELA	ROSETTA PIANA ANILHA	RONDELLE SLUITRING	UNTERLEGSSCHEIBE FLADSKIVE	131R
18		10516474		7	WASHER, LOCK, 6 ARANDELA DE FRENO	ROSETTA DI SICUREZZA/ ANILHA DE FIXACAO	RONDELLE FREIN VEERRING	SICHERUNGSSSCHEIBE LAASESKIVE	132R
19		71405770		1	COLLAR, RETAINER PLACA DE SUJECION	STAFFETTA FISSAGGIO COLAR RETENTOR	BRIDE-FIXATION/ COLLI STOPBEUGEL	HALTERBÜGEL SPÆNDRING	230S
20		12643731		1	WASHER, 6X18 ARANDELA	ROSETTA PIANA ANILHA	RONDELLE SLUITRING	UNTERLEGSSCHEIBE FLADSKIVE	131R

MH2.6



**Suggest:**

**If the above button click is invalid.**

**Please download this document**

**first, and then click the above link**

**to download the complete manual.**

**Thank you so much for reading**

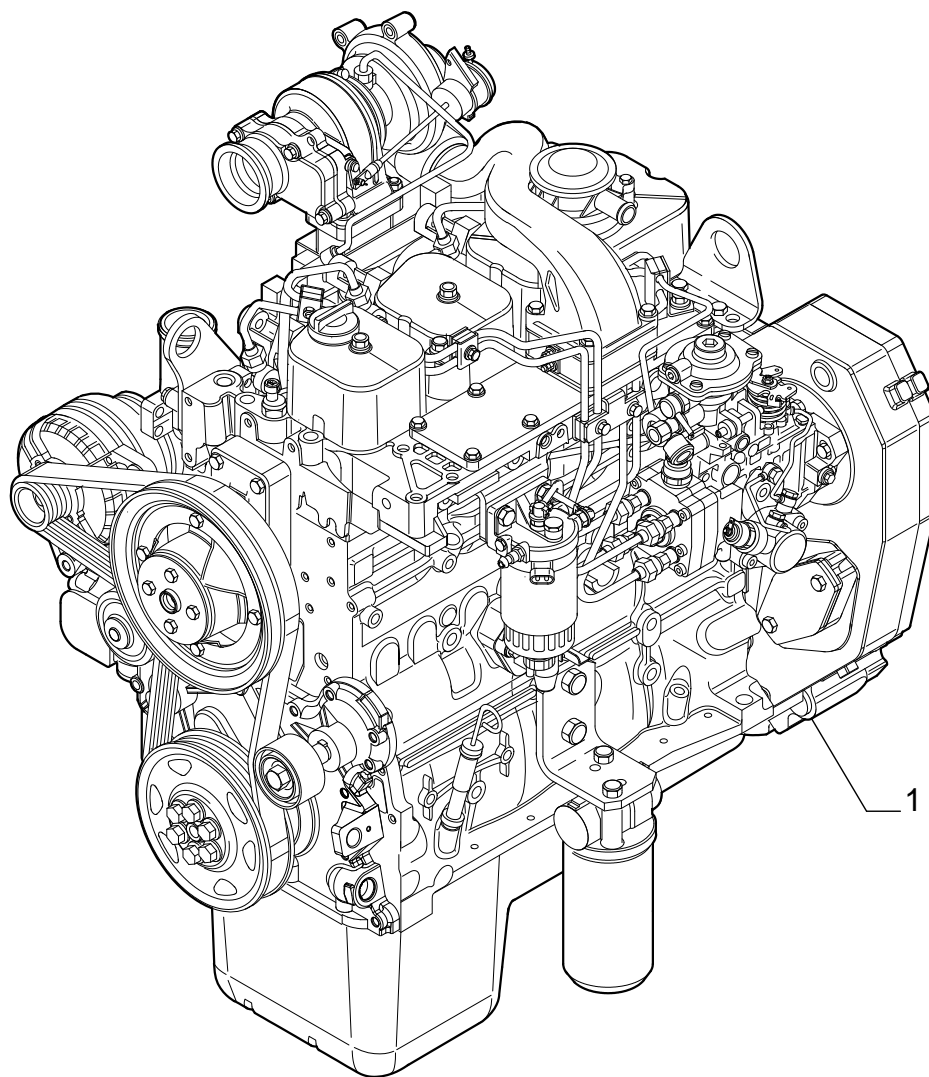
**0.021**

01

p1

12/04

ENGINE  
MOTORE TERMICO  
MOTEUR THERMIQUE  
MOTOR



**<https://www.ebooklibonline.com>**

Hello dear friend!

Thank you very much for reading.

Enter the link into your browser.

The full manual is available for immediate download.

**<https://www.ebooklibonline.com>**