

# PARTS CATALOG

**Product Line**

**CATALOGO PARTI  
DI RICAMBIO**

**Model LS180.B**

**CATALOGUE DES PIECES  
DETACHEES**

**ERSATZTEILKATALOG**

**CATÁLOGO DES PIEZAS  
DE REPUESTO**

**CATÁLOGO DE PEÇAS  
SOBRESSALENTES**

**ONDERDELENLIJST**

**RESERVEDELSKATALOG**

**CATALOGUE n. 604.04.322.00**  
1<sup>st</sup> Edition 05 - 2005

 **NEW HOLLAND**

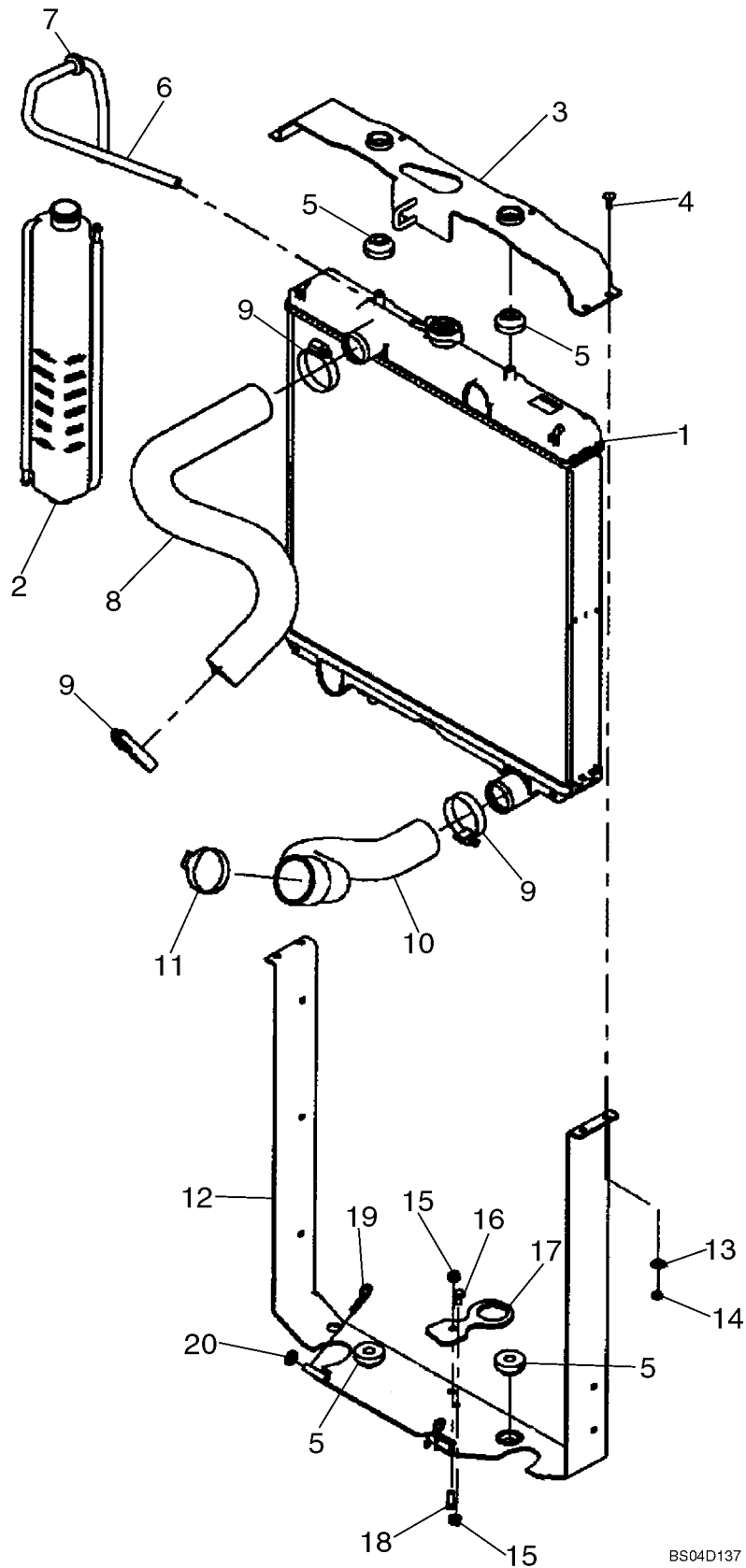
---

## SECTION INDEX

---

02-01	RADIATOR - COOLANT RECOVERY SYSTEM
02-02	FAN - FAN BELT
02-03	EXHAUST SYSTEM
02-03A	MUFFLER - ASPIRATED
02-04	AIR CLEANER - ENGINE
02-05	ENGINE - MOUNTING
02-06	OIL FILL, ENGINE
02-07	ENGINE - BLOCK HEATER
02-07A	GRID HEATER
02-08	ENGINE
02-08A	ENGINE - TIMER
02-09	CYLINDER BLOCK
02-10	CYLINDER BLOCK
02-11	OIL PUMP, PAN
02-12	CYLINDER BLOCK - COVERS
02-13	BREATHER - ENGINE
02-14	CYLINDER HEAD
02-15	CYLINDER HEAD - COVERS
02-16	CYLINDER HEAD - VALVE MECHANISM
02-17	INTAKE MANIFOLD
02-18	EXHAUST MANIFOLD
02-19	CRANKSHAFT
02-20	CONNECTING ROD
02-21	PISTON - ENGINE
02-22	FLYWHEEL - ENGINE
02-23	PULLEY - CRANKSHAFT
02-24	CAMSHAFT - TIMING CONTROL
02-26	ENGINE, OIL
02-27	OIL PUMP - ENGINE
02-28	OIL FILTERS - ENGINE
02-30	OIL FILTER AND COOLER
02-31	WATER PUMP
02-32	COOLING SYSTEM - ENGINE
02-33	THERMOSTAT - ENGINE COOLING SYSTEM
02-34	WATER PUMP - CONTROL
02-35	FAN DRIVE
02-36	POWER TAKE OFF
02-37	ENGINE - LIFT HOOK

RADIATOR - COOLANT RECOVERY SYSTEM  
RADIATORE - SISTEMA DI RECUPERO DEL REFRIGERANTE  
RADIATEUR - CIRCUIT DE RECUPERATION DU LIQUIDE DE REFROIDISS  
KÜHLER - KÜHLMITTEL-RÜCKGEWINNUNGSSYSTEM



**<https://www.ebooklibonline.com>**

Hello dear friend!

Thank you very much for reading.

Enter the link into your browser.

The full manual is available for immediate download.

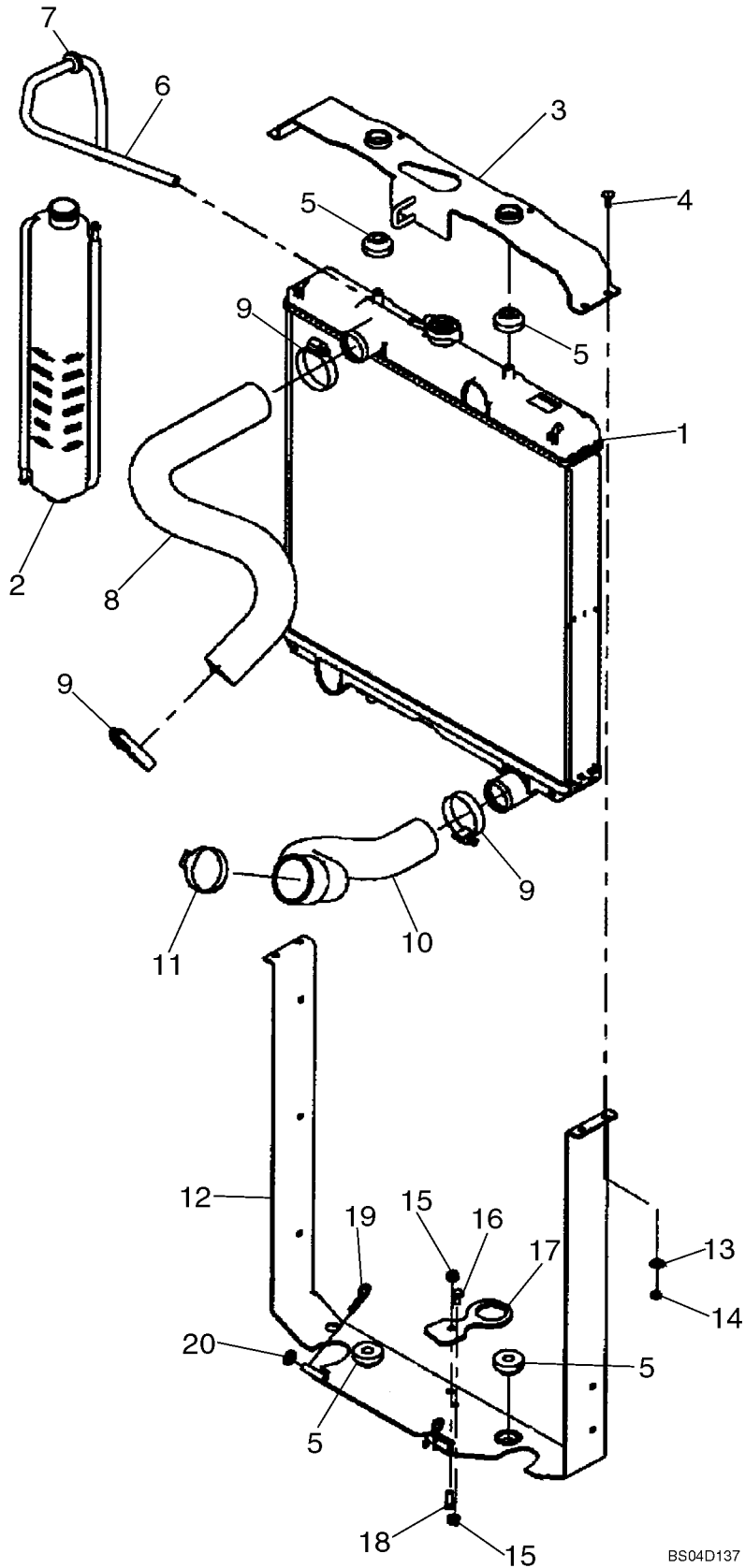
**<https://www.ebooklibonline.com>**

RADIADOR - SISTEMA DE RECUPERACION DEL REFRIGERANTE  
 RADIADOR - SISTEMA DE RECUPERAÇÃO DO FLUIDO DE REFRIGERAÇÃO  
 RADIATOR - KOELVLOEISTOFOPVANGSYSTEEM  
 KØLER - KØLEMIDDELGENINDVINDINGSSYSTEM

R	N	P.N.	MOD	Q	Description Denominacion	Descrizione Denominação	Description Beschrijving	Bezeichnung Beskrivelse	L.C.
1		{87013856}		1	RADIATOR Incl. 1A, 1B RADIADOR	RADIATORE ARREFECEDOR	RADIATEUR RADIATOR KOELER	KÜHLER KØLER	025R
1A		87032485		1	FITTING Drain; Not Illustrated	RACCORDO	RACCORD	ANSCHLUSSSTÜCK	3300
					CONEXION	CONEXAO	FITTING	FITTING	
1B		87032486		1	CAP, RADIATOR Not Illustrated	TAPPO RADIATORE	BOUCHON RADIATEUR	KÜHLERDECKEL	039T
					TAPON RADIADOR	TAMPAO	RADIATOR DOP	KOELER DAEKSEL	
2		87020980		1	RESERVOIR, COOLANT EXPNSN Coolant Recovery; Incl. Cap 257884A1	SERBATOIO A DEPRESSE	RESERVOIR DEPRESSE	KÜHLMITTELAUSGLEICH	117S
					DEPOSITO DE VACIO	DEPOSITO DE VACUO	VACUUMTANK	VAKUMTANK	
		{257884A1}		1	PLUG	TAPPO	BOUCHON	STOPFEN	6400
					TAPÓN	BUJAO	PLUG	PROP	
3		87459340		1	FRAME Upper Radiator; Component Parts Not Serviced Separately	INTELAIAIATURA	CHASSIS	RAHMENGESTELL	072I
					ESTRUCTURA	CHASSIS	KADER	CHASSIS	
4		80280638		4	BOLT 1/4 x 3/4	BULLONE	BOULON	SCHAUBENBOLZEN	140B
					TORNILLO	PARAFUSO	BOUT	SKRUE	
5		87017045		4	CUSHION	CUSCINO	COUSSIN	POLSTER	2460
					COJIN	COXIM	CUSHION	PUDE	
6		87044030		1	HOSE Coolant Recovery	MANICOTTO FLESSIBILE	FLEXIBLE	SCHLAUCH	030M
					MANGA	TUBO FLEXIVEL	FLEXIBELE BUIS	SLANGE	
7		86502507		1	GROMMET 5/8 ID	ANELLO PASSACAVO	PASSE-FIL	TÜLLE	131A
					PASACABLES	CASQUILHO ISOLADOR	KABELDOORGANG	RING	
8		87038470		1	HOSE, LARGE Upper Radiator	TUBO FLESSIBILE,GRDE	Durite	SCHLAUCH, GROSS	Z336
					Manguito	MANGOTE	HOSE, LARGE	HOSE, LARGE	
9		86050202		3	CLIP, HOSE	COLLARE	COLLIER	SCHLAUCHKLEMME	180C
					COLLAR	COLAR	BUI SKLEM	KRAVE	
10		87038471		1	HOSE, LARGE Lower Radiator	TUBO FLESSIBILE,GRDE	Durite	SCHLAUCH, GROSS	Z336
					Manguito	MANGOTE	HOSE, LARGE	HOSE, LARGE	
11		80045014		1	CLAMP	MORSETTO	BRIDE	KLEMME	120M
					BORNE	BORNE	KLEM	SPÆNDEBÅND	
12		87459339		1	FRAME Lower Radiator	INTELAIAIATURA	CHASSIS	RAHMENGESTELL	072I
					ESTRUCTURA	CHASSIS	KADER	CHASSIS	
13		80322357		4	WASHER, LOCK Belleville, M6	ROSETTA DI SICUREZZA	RONDELLE FREIN	SPRENGRING	132R
					ARANDELA DE FRENO	ANILHA DE FIXACAO	VEERRING	LAASESKIVE	
14		80007770		4	NUT 1/4	DADO	ECROU	MUTTER	010D
					TUERCA	PORCA	MOER	MOETRIK	
15		80280736		2	NUT, LOCK 5/16	CONTRDADO	CONTRE-ECROU	KONTERMUTTER	P263
					CONTRA TUERCA	CONTRA PORCA	NUT, LOCK	NUT, LOCK	
16		80088574		1	SCREW 5/16 x 1/2	VITE	VIS	SCHRAUBE	040V
					TORNILLO	PARAFUSO	SCHROEF	SKRUE	
17		87038914		1	PLATE Pull	PIASTRA	PLAQUE	PLATTE	105P
					PLACA	CHAPA	PLAAT	PLADE	
18		80087872		1	SCREW 5/16 x 3/4	VITE	VIS	SCHRAUBE	040V
					TORNILLO	PARAFUSO	SCHROEF	SKRUE	

**LS180.B**

RADIATOR - COOLANT RECOVERY SYSTEM  
 RADIATORE - SISTEMA DI RECUPERO DEL REFRIGERANTE  
 RADIATEUR - CIRCUIT DE RECUPERATION DU LIQUIDE DE REFROIDISS  
 KÜHLER - KÜHLMITTEL-RÜCKGEWINNUNGSSYSTEM

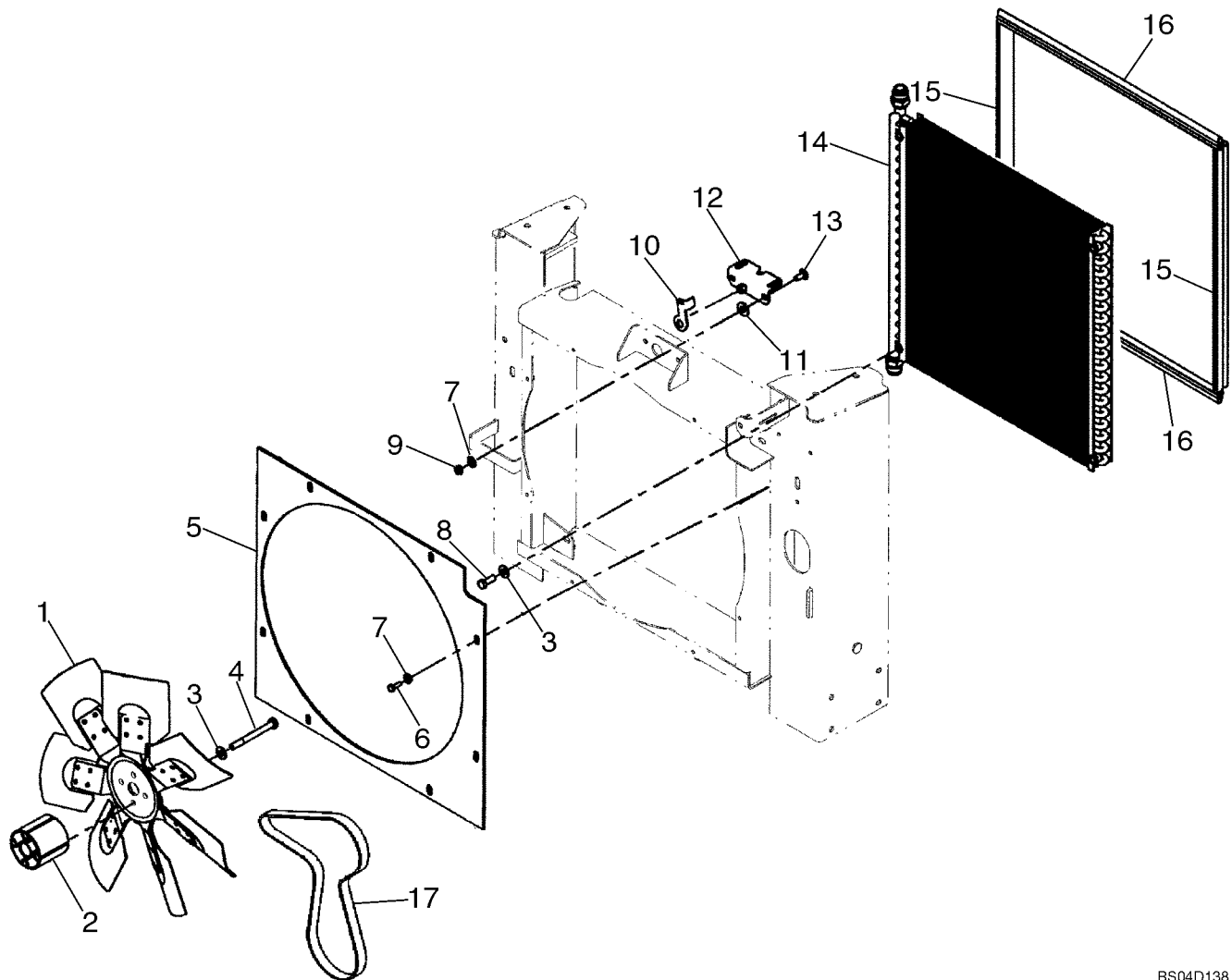


RADIADOR - SISTEMA DE RECUPERACION DEL REFRIGERANTE  
 RADIADOR - SISTEMA DE RECUPERAÇÃO DO FLUIDO DE REFRIGERAÇ  
 RADIATOR - KOELVLOEISTOFOPVANGSYSTEEM  
 KØLER - KØLEMIDDELGENINDVINDINGSSYSTEM

R	N	P.N.	MOD	Q	Description Denominacion	Descrizione Denominação	Description Beschrijving	Bezeichnung Beskrivelse	L.C.
19		80216698		2	PIN, SPLIT (COTTER) PASADOR ABIERTO	COPPIGLIA TROCO DE ABRIR	GOUPILLE SPLITPEN	SPLINT SPLITBOLT	270C
20		86624176		2	WASHER 11 x 20 x 2 mm ARANDELA	ROSETTA PIANA ANILHA	RONDELLE SLUITRING	BEILAGSCHEIBE FLADSKIVE	131R

**LS180.B**

FAN - FAN BELT  
VENTILATORE - CINGHIA DEL VENTILATORE  
VENTILATEUR - COURROIE DU VENTILATEUR  
LÜFTER - LÜFTERRIEMEN

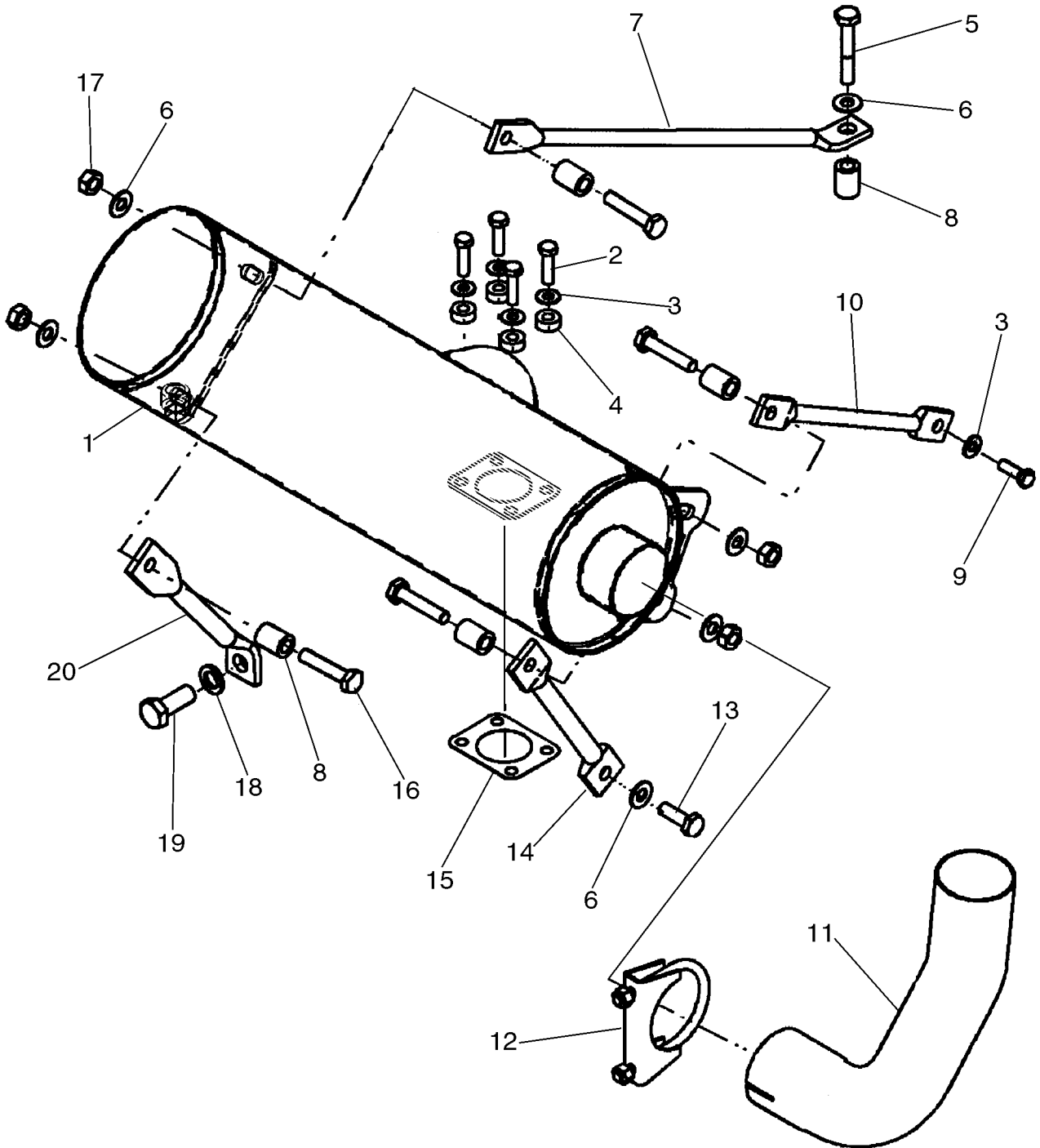


VENTILADOR - CORREA DEL VENTILADOR  
 VENTONHA - CORREIA DO VENTILADOR  
 VENTILATOR - VENTILATORRIEM  
 VENTILATOR - VENTILATORREM

R	N	P.N.	MOD	Q	Description Denominacion	Descrizione Denominação	Description Beschrijving	Bezeichnung Beskrivelse	L.C.
1		{87025470}		1	FAN 480 dia VENTILADOR	VENTILATORE VENTONHA	VENTILATEUR VENTILATOR	LÜFTER VENTILATOR	030V
2		87780364		1	SPACER Fan SEPARADOR	DISTANZIALE ESPACADOR	ENTRETOISE AFSTANDSRING	DISTANZSTÜCK AFSTANDSSTYKKE	075D
3		80140045		8	WASHER, LOCK ARANDELA DE FRENO	ROSETTA DI SICUREZZA/ ANILHA DE FIXACAO	RONDELLE FREIN VEERRING	SPRENGRING LAASESKIVE	132R
4		80120075		4	SCREW M10 x 100 TORNILLO	VITE PARAFUSO	VIS SCHROEF	SCHRAUBE SKRUE	040V
5		87051585		1	SHROUD BOQUILLA	RIPARO COBERTURA	BUSE SHROUD	ABSCHIRMUNG DÆKKE	7830
6		89707580		8	SCREW 1/4 x 3/4 TORNILLO	VITE PARAFUSO	VIS SCHROEF	SCHRAUBE SKRUE	040V
7		80322357		8	WASHER, LOCK Belleville, M6 ARANDELA DE FRENO	ROSETTA DI SICUREZZA/ ANILHA DE FIXACAO	RONDELLE FREIN VEERRING	SPRENGRING LAASESKIVE	132R
8		80088206		4	SCREW 3/8 x 1 TORNILLO	VITE PARAFUSO	VIS SCHROEF	SCHRAUBE SKRUE	040V
9		89635082		2	NUT 5/16 TUERCA	DADO PORCA	ECROU MOER	MUTTER MOETRIK	010D
10		87017116		1	LEVER PALANCA	LEVA ALAVANCA	LEVIER HEFBOOM	HEBEL HAANDTAG	045L
11		80080702		2	WASHER 3/8 ARANDELA	ROSETTA PIANA ANILHA	RONDELLE SLUITRING	BEILAGSCHEIBE FLADSKIVE	131R
12		84015292		1	LOCK CERRADURA	SERRATURA FECHADURA	SERRURE SLOT	SCHLOSS LAAS	120S
13		80280497		2	BOLT 5/16 x 3/4 TORNILLO	BULLONE PARAFUSO	BOULON BOUT	SCHAUBENBOLZEN SKRUE	140B
14		87014852		1	COOLER Oil ENFRIADOR	REFRIGERATORE RADIADOR	REFROIDISSEUR COOLER	KÜHLER KØLER	2130
15		87026112		2	SEAL ANILLO DE CIERRE	ANELLO DI TENUTA ANEL DE VEDACAO	JOINT DICHTINGSRING	DICHTUNG PAKNINGSRING	132A
16		87016847		2	SEAL ANILLO DE CIERRE	ANELLO DI TENUTA ANEL DE VEDACAO	JOINT DICHTINGSRING	DICHTUNG PAKNINGSRING	132A
17		86982450		1	V-BELT CORREA TRAPEZOIDAL	CINGHIA, TRAPEZ CORREIA V	COURROIE TRAPEZOID. V-BELT	KEILRIEMEN V-BELT	Z087

**LS180.B**

EXHAUST SYSTEM  
IMPIANTO DI SCARICO  
ECHAPPEMENT  
AUSPUFFSYSTEM

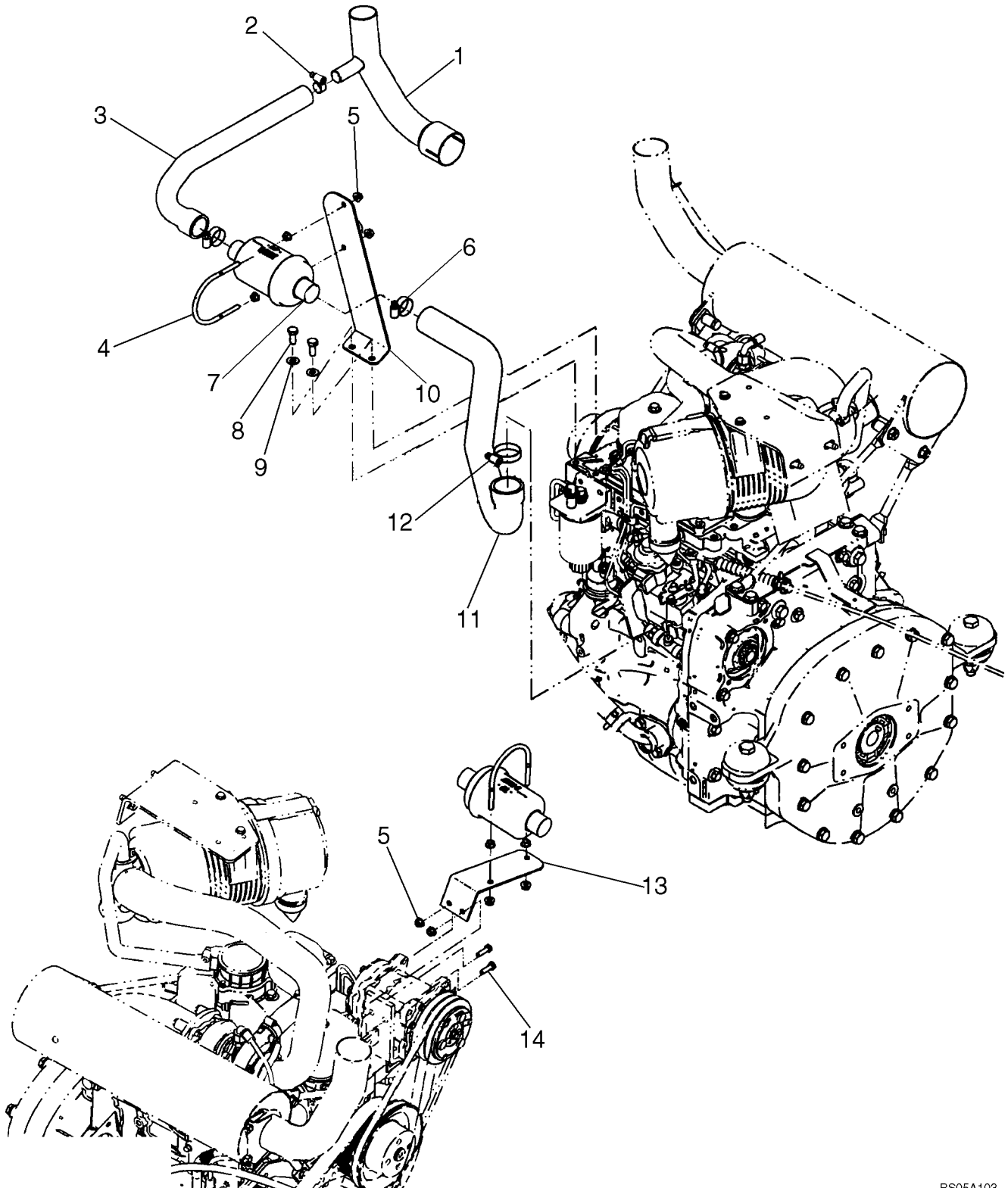


ESCAPE  
 ESCAPAMENTO  
 UITLAATSYSTEEM  
 UDSTØDNINGSSYSTEM

R	N	P.N.	MOD	Q	Description Denominacion	Descrizione Denominação	Description Beschrijving	Bezeichnung Beskrivelse	L.C.
1		{87045199}		1	MUFFLER SILENCIADOR	SILENZIATORE SILENCIADOR	SILENCIEUX KNALPOT	AUSPUFFTOPF LYDDAEMPER	160S
2		80043128		4	SCREW M8 x 30 TORNILLO	VITE PARAFUSO	VIS SCHROEF	SCHRAUBE SKRUE	040V
3		80322358		5	WASHER, LOCK ARANDELA DE FRENO	ROSETTA DI SICUREZZA/ ANILHA DE FIXACAO	RONDELLE FREIN VEERRING	SPRENGRING LAASESKIVE	132R
4		86633393		4	SPACER SEPARADOR	DISTANZIALE ESPACADOR	ENTRETOISE AFSTANDSRING	DISTANZSTÜCK AFSTANDSSTYKKE	075D
5		80120070		1	SCREW M12 x 70 TORNILLO	VITE PARAFUSO	VIS SCHROEF	SCHRAUBE SKRUE	040V
6		80140045		5	WASHER, LOCK ARANDELA DE FRENO	ROSETTA DI SICUREZZA/ ANILHA DE FIXACAO	RONDELLE FREIN VEERRING	SPRENGRING LAASESKIVE	132R
7		87033358		1	ROD Muffler Support VARILLA	ASTA HASTE	TRINGLE STANG	STANGE STANG	090A
8		87779416		1	SPACER SEPARADOR	DISTANZIALE ESPACADOR	ENTRETOISE AFSTANDSRING	DISTANZSTÜCK AFSTANDSSTYKKE	075D
9		80043127		1	SCREW M8 x 25 TORNILLO	VITE PARAFUSO	VIS SCHROEF	SCHRAUBE SKRUE	040V
10		87033357		1	ROD Muffler Support VARILLA	ASTA HASTE	TRINGLE STANG	STANGE STANG	090A
11		87035330		1	TUBE Exhaust TUBO	TUBETTO TUBO	TUBE BUISJE	LEITUNG RØR	195T
12		87779394		1	CLAMP COLLAR	MORSETTO BRACADEIRA	COLLIER CLAMP	SHELLE CLAMP	1640
13		80043140		1	SCREW M10 x 30 TORNILLO	VITE PARAFUSO	VIS SCHROEF	SCHRAUBE SKRUE	040V
14		87054821		1	ROD Muffler Support VARILLA	ASTA HASTE	TRINGLE STANG	STANGE STANG	090A
15		{86606074}		1	Gasket, Muffler				
16		80043249		4	SCREW M10 x 50 TORNILLO	VITE PARAFUSO	VIS SCHROEF	SCHRAUBE SKRUE	040V
17		{411345A1}		4	NUT M10 TUERCA	DADO PORCA	ECROU MOER	MUTTER MØTRIK	5780
18		80280854		1	SCREW M14 x 35 TORNILLO	VITE PARAFUSO	VIS SCHROEF	SCHRAUBE SKRUE	040V
19		80140030		1	WASHER, LOCK ARANDELA DE FRENO	ROSETTA DI SICUREZZA/ ANILHA DE FIXACAO	RONDELLE FREIN VEERRING	SPRENGRING LAASESKIVE	132R
20		87033359		1	ROD Muffler Mounting VARILLA	ASTA HASTE	TRINGLE STANG	STANGE STANG	090A

**LS180.B**

MUFFLER - ASPIRATED  
MARMITTA - ASPIRATORE  
SILENCIEUX - ASPIRATEUR  
SCHALLDÄMPFER - SAUGGEBLÄSE

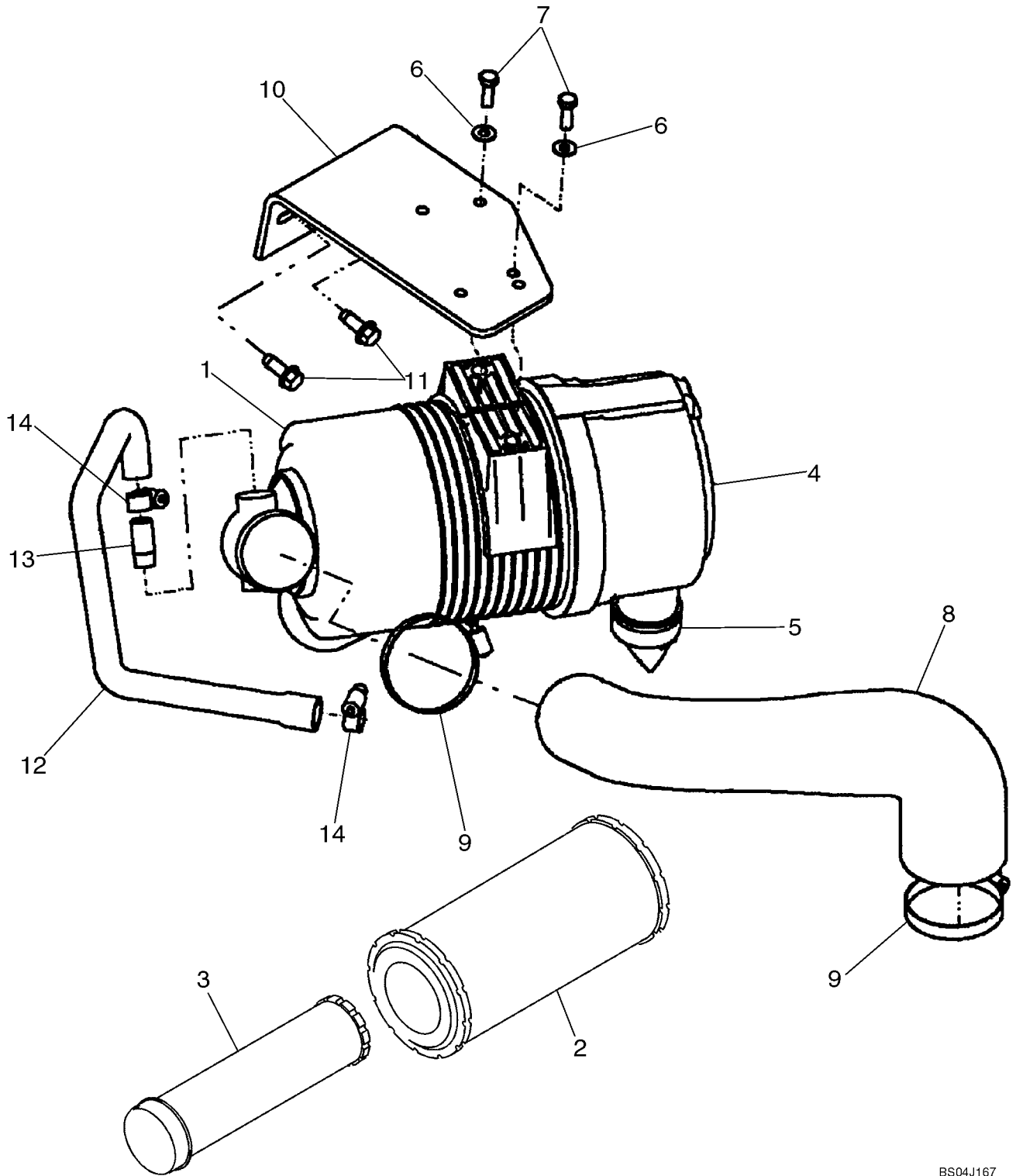


SILENCIADOR - ASPIRADOR  
 SILENCIADOR - ASPIRADOR  
 KNALPOT - ZUIGPOMP  
 LYDDÆMPER - ASPIRATOR

R	N	P.N.	MOD	Q	Description Denominacion	Descrizione Denominação	Description Beschrijving	Bezeichnung Beskrivelse	L.C.
1		{87050592}		1	PIPE Aspirator CUELLO DE CARGA	TUBO TUBO DE ENCHIMENTO	TUYAU OPVULPIJP	ROHR PAAFYLDNINGSSTUDS	200T
2		{507586}		1	CLAMP Type F # 20 BORNE	MORSETTO BORNE	BRIDE KLEM	KLEMME SPÆNDEBÅND	120M
3		{87047596}		1	Hose				
4		{87043330}		1	U-BOLT HORQUILLA	CAVALLOTTO MOLA DE ENGATE	CAVALIER VEERKLEM	U-BOLZEN HAARNAAL	P611
5		89804277		6	NUT M8 TUERCA	DADO PORCA	ECROU MOER	MUTTER MOETRIK	010D
6		{84674}		2	CLAMP Type F # 28 BORNE	MORSETTO BORNE	BRIDE KLEM	KLEMME SPÆNDEBÅND	120M
7		{90-7640T1}		1	VALVE Check VALVULA	VALVOLA VALVULA	VALVE VALVE	VENTIL VALVE	P468
8		80043139		2	SCREW M10 x 25 TORNILLO	VITE PARAFUSO	VIS SCHROEF	SCHRAUBE SKRUE	040V
9		80140045		2	WASHER, LOCK 10 ARANDELA DE FRENO	ROSETTA DI SICUREZZA/ ANILHA DE FIXACAO	RONDELLE FREIN VEERRING	SPRENGRING LAASESKIVE	132R
10		{87037817}		1	BRACKET PIEZA DE SOPORTE	STAFFA BRACADEIRA	PATTE FIXATION STEUNBEUGEL	HALTERUNG BESLAG	225S
11		{87047595}		1	HOSE Aspirator Intake MANGA	MANICOTTO FLESSIBILE TUBO FLEXIVEL	FLEXIBLE FLEXIBELE BUIS	SCHLAUCH SLANGE	030M
12		86624194		1	CLAMP Type F # 36 BORNE	MORSETTO BORNE	BRIDE KLEM	KLEMME SPÆNDEBÅND	120M
13		{87047397}		1	ANGLE PIEZ ANGULAR	CANTONALE ESQUADRO	CORNIERE HOEKSTUK	WINKEL VINKELSTYKKE	057C
14		80043127		2	SCREW M8 x 25 TORNILLO	VITE PARAFUSO	VIS SCHROEF	SCHRAUBE SKRUE	040V

**LS180.B**

AIR CLEANER - ENGINE  
FILTRO DELL'ARIA - MOTORE  
FILTRE A AIR - MOTEUR  
LUFTFILTER - MOTOR

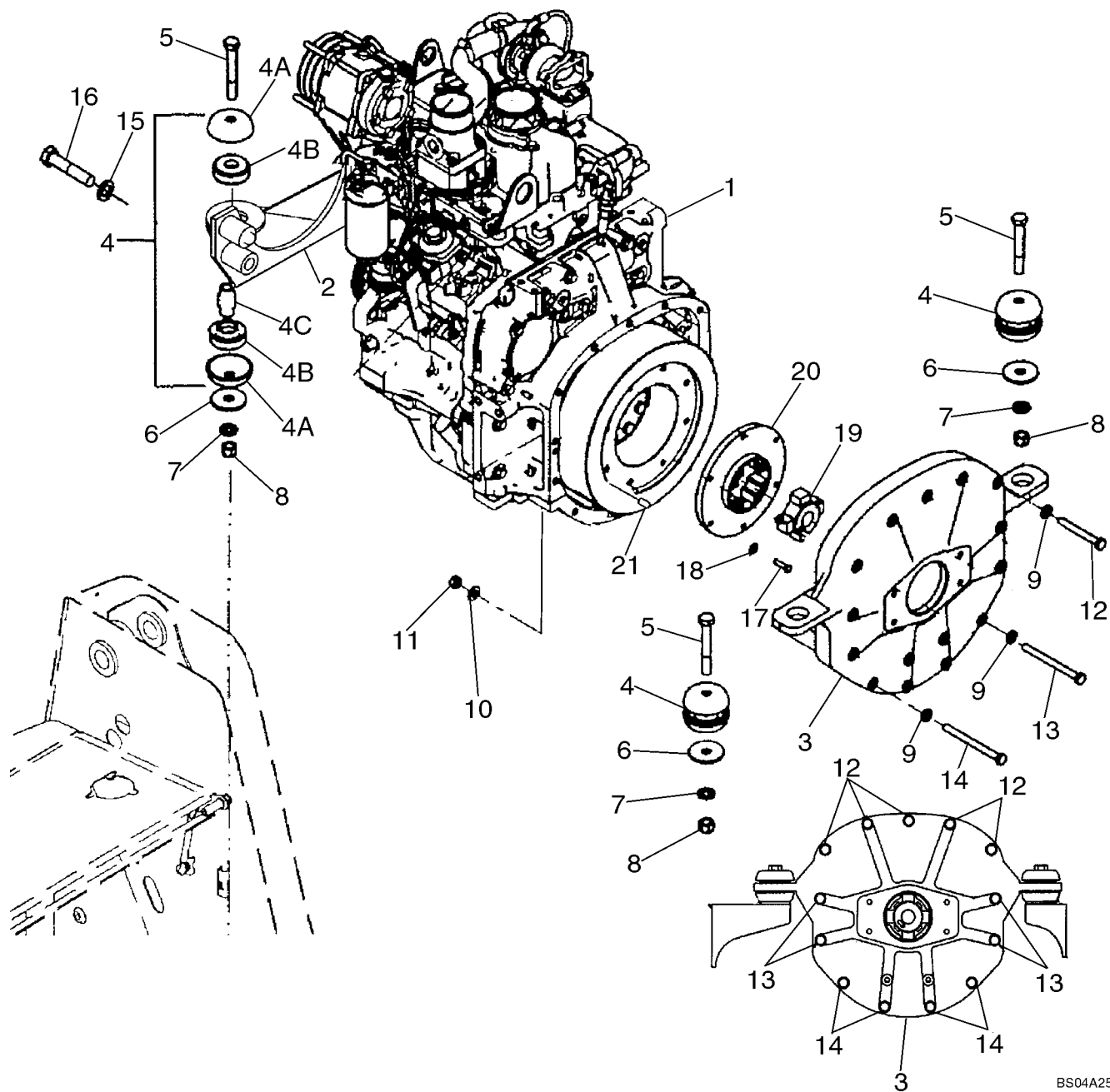


FILTRO DE AIRE - MOTOR  
 FILTRO DE AR - MOTOR  
 LUCHTFILTER - MOTOR  
 LUFTFILTER - MOTOR

R	N	P.N.	MOD	Q	Description Denominacion	Descrizione Denominação	Description Beschrijving	Bezeichnung Beskrivelse	L.C.
		87042494		1	FILTER, AIR Air Cleaner; Incl. 1 - 5	FILTRO ARIA	FILTRE A AIR	LUFTFILTER	066F
1		{NSS}		1	FILTRO DE AIRE	FILTRO DE AR	LUCHTFILTER	LUFTFILTER	
				1	NOT SERVICED SEPARATELY Body	NON FORNITO SEPARATA	NON FOURNI SEPARÉ	KEIN ERSATZTEIL	064N
2		86982522		1	FILTER, ELEMENT Primary	ELEMENTO DEL FILTRO	ELÉMENT FILTRANT	FILTERELEMENT	020E
3		86982523		1	FILTER, ELEMENT Secondary	ELEMENTO DEL FILTRO	ELÉMENT FILTRANT	FILTERELEMENT	020E
4		87779412		1	COVER, FILTER Incl. 4A	COPERCHIO FILTRO	COUVERCLE DE FILTRE	FILTERDECKEL	Z316
4A		{86990981}		1	TAPA DE FILTRO	TAMPA FILTRO	COVER, FILTER	DÆKLAGSFILTER	
				1	TAB, LOCKING Not Illustrated Separately	DISPOSITIVO DI CHIUSURA	DISPOSITIF DE FERMETURE	RIEGEL	071D
5		87772898		1	DISP. DE CIERRE	DISPOSITIVO DE FECHURA	SLUITSYSTEEM	LAASEANORDNING	
6		80322358		2	POPPET, VALVE	VALVOLA A FUNGO	CLAPET	VENTILKEGEL	P048
				2	VÁLVULA DE PASO	VALVULA	POPPET, VALVE	DOKVENTIL	
7		80043127		2	WASHER, LOCK	ROSETTA DI SICUREZZA	RONDELLE FREIN	SPRENGRING	132R
				2	ARANDELA DE FRENO	ANILHA DE FIXACAO	VEERRING	LAASESKIVE	
8		{87042721}		1	SCREW M8 x 25	VITE	VIS	SCHRAUBE	040V
				1	TORNILLO	PARAFUSO	SCHROEF	SKRUE	
9		{86625033}		1	HOSE, LARGE	TUBO FLESSIBILE,GRDE	Durite	SCHLAUCH, GROSS	Z336
				2	Manguito	MANGOTE	HOSE, LARGE	HOSE, LARGE	
10		87010311		2	CLAMP Type F #40	MORSETTO	BRIDE	KLEMME	120M
				2	BORNE	BORNE	KLEM	SPÆNDEBÅND	
11		80280476		1	BRACKET	STAFFA	PATTE FIXATION	HALTERUNG	225S
				2	PIEZA DE SOPORTE	BRACADEIRA	STEUNBEUGEL	BESLAG	
12		87038366		2	SCREW, SELF TAPPING 3/8 x 1.00	VITE AUTOFILETTANTE	VIS AUTO-TARAUDEUSE	SCHRAUBE, SELBSTSCHNEIDEND	062V
				1	TORNILLO AUTOROSCA	PARAFUSO	ZELFTAPPENDE SCHROEF	BOLT, SELVLAASENDES	
13		87779397		1	HOSE, LARGE	TUBO FLESSIBILE,GRDE	Durite	SCHLAUCH, GROSS	Z336
				1	Manguito	MANGOTE	HOSE, LARGE	HOSE, LARGE	
14		86625021		1	FITTING	RACCORDO	RACCORD	ANSCHLUSSSTÜCK	3300
				2	CONEXION	CONEXAO	FITTING	FITTING	
				2	CLAMP	MORSETTO	COLLIER	SHELLE	1640
					COLLAR	BRACADEIRA	CLAMP	CLAMP	

**LS180.B**

ENGINE - MOUNTING  
MOTORE - MONTAGGIO  
MOTEUR - THERMIQUE SUPPORT  
MOTOR - BEFESTIGUNG



MOTOR - TERMICO SOPORTE  
MOTOR - SUPORTE  
MOTOR - MONTAGE  
MOTOR - OPH/ENG

R	N	P.N.	MOD	Q	Description Denominacion	Descrizione Denominação	Description Beschrijving	Bezeichnung Beskrivelse	L.C.
1		{87043899}		1	Engine Assy; 3 Cylinder; Without Alternator				
2		87041836		1	MOUNT, ENGINE SOPORTE MOTOR	SUPPORTO MOTORE SUPORTE DE MOTOR	SUPPORT MOTEUR MOTORSTEUN	MOTORAUFHÄNGUNG MOTOROPH/ENG	299S
3		{86837673}		1	ADAPTER Engine ADAPTADOR	ADATTATORE ADAPTADOR	ADAPTEUR VERLOOPSTUK	ADAPTER ADAPTER	0031
4		87048678		3	MOUNT, ENGINE Incl. 4A - 4C				
					SOPORTE MOTOR	SUPPORTO MOTORE SUPORTE DE MOTOR	SUPPORT MOTEUR MOTORSTEUN	MOTORAUFHÄNGUNG MOTOROPH/ENG	299S
4A		86837669		2	CUP TAZA	SCODELLINO TACA	CUVE KOM	TASSE LEJESKAAL	060S
4B		87048686		2	ISOLATOR AISLADOR	DISPOSITIVO ANTIVIB ISOLADOR	ISOLATEUR ISOLATOR	ISOLATOR ISOLATOR	Z082
4C		87048677		1	SPACER SEPARADOR	DISTANZIALE ESPACADOR	ENTRETOISE AFSTANDSRING	DISTANZSTÜCK AFSTANDSSTYKKE	075D
5		84036080		3	SCREW M16 x 110 TORNILLO	VITE PARAFUSO	VIS SCHROEF	SCHRAUBE SKRUE	040V
6		87032338		3	WASHER, LOCK .656 x 2.5 x .188 mm				
					ARANDELA DE FRENO	ROSETTA DI SICUREZZA/ ANILHA DE FIXACAO	RONDELLE FREIN VEERRING	SPRENGRING LAASESKIVE	132R
7		86625266		3	WASHER 17.5 x 30 x 4 mm	ROSETTA PIANA	RONDELLE	BEILAGSCHEIBE	131R
					ARANDELA	ANILHA	SLUITRING	FLADSKIVE	
8		86512555		3	NUT, LOCK M16 CONTRA TUERCA	CONTRODADO CONTRA PORCA	CONTRE-ECROU NUT, LOCK	KONTERMUTTER NUT, LOCK	P263
9		86625255		11	WASHER 13.5 x 24 x 3 mm	ROSETTA PIANA	RONDELLE	BEILAGSCHEIBE	131R
					ARANDELA	ANILHA	SLUITRING	FLADSKIVE	
10		86625255		6	WASHER 13.5 x 24 x 3 mm	ROSETTA PIANA	RONDELLE	BEILAGSCHEIBE	131R
					ARANDELA	ANILHA	SLUITRING	FLADSKIVE	
11		89706685		6	NUT M12 TUERCA	DADO PORCA	ECROU MOER	MUTTER MOETRIK	010D
12		86642439		5	BOLT M12 x 100 TORNILLO	BULLONE PARAFUSO	BOULON BOUT	SCHAUBENBOLZEN SKRUE	140B
13		80309308		4	SCREW M12 x 120 TORNILLO	VITE PARAFUSO	VIS SCHROEF	SCHRAUBE SKRUE	040V
14		80395277		2	SCREW M12 x 130 TORNILLO	VITE PARAFUSO	VIS SCHROEF	SCHRAUBE SKRUE	040V
15		86625260		2	WASHER 22 x 37 x 4 mm	ROSETTA PIANA	RONDELLE	BEILAGSCHEIBE	131R
					ARANDELA	ANILHA	SLUITRING	FLADSKIVE	
16		{86900898}		2	BOLT M20 x 1.5 x 100 TORNILLO	BULLONE PARAFUSO	BOULON BOUT	SCHAUBENBOLZEN SKRUE	140B
17		80043235		8	SCREW M8 x 30 TORNILLO	VITE PARAFUSO	VIS SCHROEF	SCHRAUBE SKRUE	040V
18		80322358		8	WASHER, LOCK ARANDELA DE FRENO	ROSETTA DI SICUREZZA/ ANILHA DE FIXACAO	RONDELLE FREIN VEERRING	SPRENGRING LAASESKIVE	132R
19		87024588		1	HUB Pump Drive CUBO	MOZZO CUBO	MOYEU NAAF	NABE NAV	135M
20		87024539		1	ELEMENT Pump Drive ELEMENTO	ELEMENTO ELEMENTO	ELÉMENT ELEMENT	ELEMENT ELEMENT	Z483

**LS180.B**



**Suggest:**

**If the above button click is invalid.**

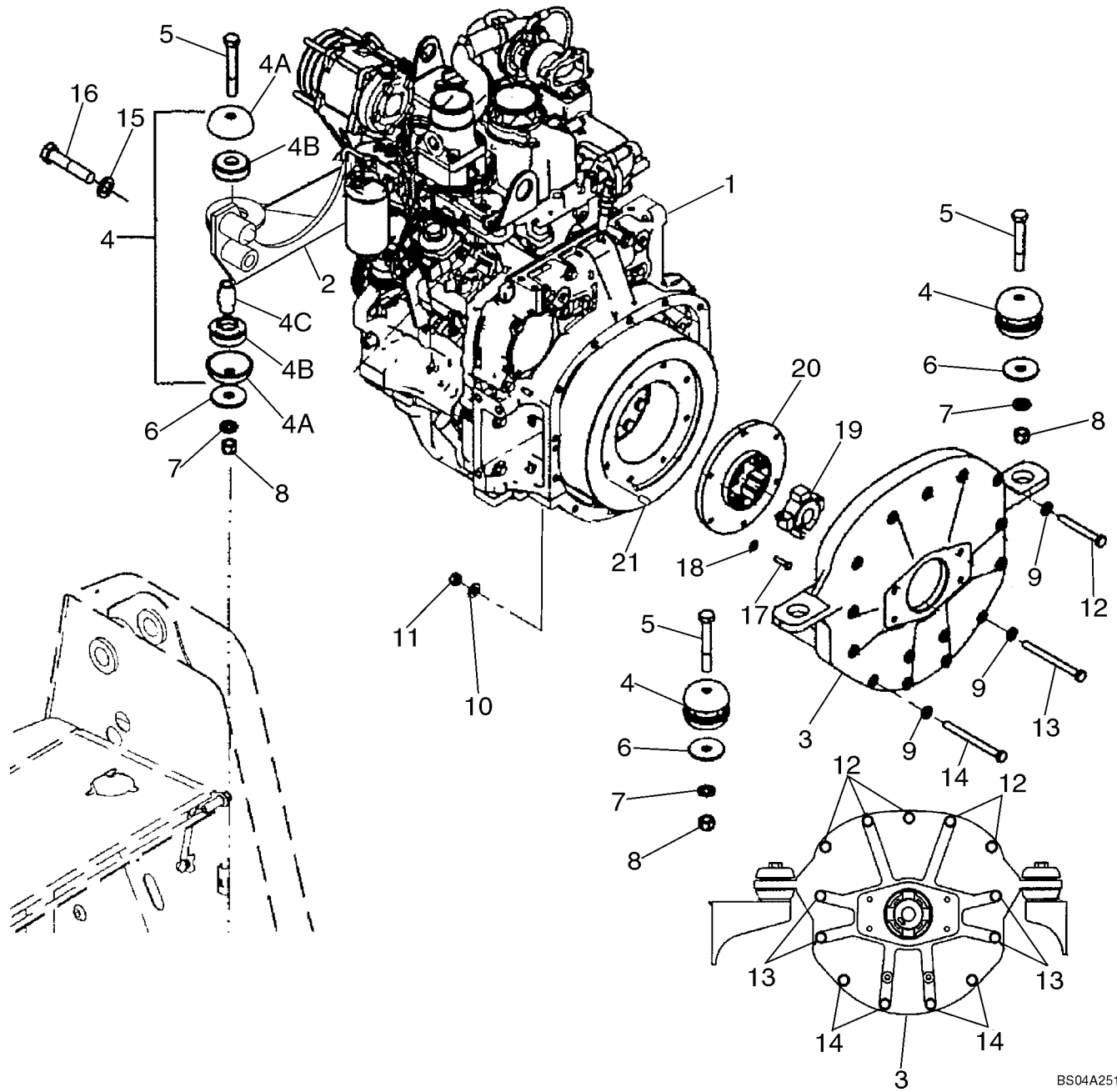
**Please download this document**

**first, and then click the above link**

**to download the complete manual.**

**Thank you so much for reading**

ENGINE - MOUNTING  
MOTORE - MONTAGGIO  
MOTEUR - THERMIQUE SUPPORT  
MOTOR - BEFESTIGUNG



**<https://www.ebooklibonline.com>**

Hello dear friend!

Thank you very much for reading.

Enter the link into your browser.

The full manual is available for immediate download.

**<https://www.ebooklibonline.com>**