



PARTS CATALOG

SKID STEER COMPACT TRACK LOADER

L175

C175



BD07E006

TABLE OF CONTENTS

- General Information
- Section 2 – Engine
- Section 3 – Fuel System
- Section 4 – Electrical System
- Section 6 – Power train
- Section 7 – Brakes
- Section 8 – Hydraulics
- Section 9 – Chassis/Attachments
- Index

CNH America LLC reserves the right to make improvements in design or changes in specifications at any time without incurring any obligation to install them on units previously sold.

All data given in this publication is subject to production variations. Dimensions and weights are only approximate. Illustrations do not necessarily show products in standard condition. For exact information about any particular product, please consult your Dealer.

REVISION HISTORY			
Issue	Issue Date	Applicable Machines	Remarks
First Edition	01Nov 05	L175/C175 Skid Steer/Compact Track Loader	87364206 ML
Revision 1	01Oct 07	L175/C175 Skid Steer/Compact Track Loader	87659705 ML

TABLE OF CONTENTS

02-01	RADIATOR - COOLANT RECOVERY SYSTEM
02-02	AIR CLEANER - ENGINE
02-03	EXHAUST SYSTEM
02-04	MUFFLER - ASPIRATED, IF USED
02-04A	MUFFLER - ASPIRATED, IF USED
02-05	ENGINE, MOUNTING - L175 NA BSN N7M470553, L175 EU BSN N7M468035; C175 NA BSN N7M466429, C175 EU BSN
02-05A	ENGINE, MOUNTING - L175 NA ASN N7M470553, L175 EU ASN N7M468035; C175 NA ASN N7M466429, C175 EU ASN
02-06	BLOCK HEATER KIT
02-07	CYLINDER BLOCK - OIL FILTER - L175 NA BSN N7M470553, L175 EU BSN N7M468035; C175 NA BSN N7M466429, C
02-08	CYLINDER HEAD - L175 NA BSN N7M470553, L175 EU BSN N7M468035; C175 NA BSN N7M466429, C175 EU BSN N7M
02-09	VALVE COVER AND CRANKSHAFT PULLEY - L175 NA BSN N7M470553, L175 EU BSN N7M468035; C175 NA BSN N7M466
02-10	ROCKER ARMS
02-11	CAMSHAFT - L175 NA BSN N7M470553, L175 EU BSN N7M468035; C175 NA BSN N7M466429, C175 EU BSN N7M46796
02-12	CRANKSHAFT AND PISTONS
02-13	INTAKE MANIFOLD
02-14	TURBOCHARGER
02-15	TIMING GEAR CASE, GOVERNOR - L175 NA BSN N7M470553, L175 EU BSN N7M468035; C175 NA BSN N7M466429, C1
02-16	OIL PAN
02-17	OIL PUMP AND SUCTION FILTER - L175 NA BSN N7M470553, L175 EU BSN N7M468035; C175 NA BSN N7M466429, C
02-18	WATER PUMP
02-19	FLYWHEEL, BELL HOUSING - L175 NA BSN N7M470553, L175 EU BSN N7M468035; C175 NA BSN N7M466429, C175 E
02-20	CYLINDER BLOCK - OIL FILTER - L175 NA ASN N7M470553, L175 EU ASN N7M468035; C175 NA ASN N7M466429, C
02-21	CYLINDER HEAD - L175 NA ASN N7M470553, L175 EU ASN N7M468035; C175 NA ASN N7M466429, C175 EU ASN N7M
02-22	VALVE COVER AND CRANKSHAFT PULLEY - L175 NA ASN N7M470553, L175 EU ASN N7M468035; C175 NA ASN N7M466
02-23	CAMSHAFT - L175 NA ASN N7M470553, L175 EU ASN N7M468035; C175 NA ASN N7M466429, C175 EU ASN N7M46796
02-24	TIMING GEAR CASE, GOVERNOR - L175 NA ASN N7M470553, L175 EU ASN N7M468035; C175 NA ASN N7M466429, C1
02-25	OIL PUMP & SUCTION FILTER - L175 NA ASN N7M470553, L175 EU ASN N7M468035; C175 NA ASN N7M466429, C17
02-26	FLYWHEEL, BELL HOUSING - L175 NA ASN N7M470553, L175 EU ASN N7M468035; C175 NA ASN N7M466429, C175 E
03-01	FUEL TANK
03-02	THROTTLE CONTROL, RIGHT HAND
03-02A	THROTTLE CONTROL - DELUXE CAB
03-03	FUEL INJECTION SYSTEM - L175 NA BSN N7M470553, L175 EU BSN N7M468035; C175 NA BSN N7M466429, C175 EU
03-03A	FUEL INJECTION SYSTEM - L175 NA ASN N7M470553, L175 EU ASN N7M468035; C175 NA ASN N7M466429, C175 EU
03-04	INJECTOR - L175 NA BSN N7M470553, L175 EU BSN N7M468035; C175 NA BSN N7M466429, C175 EU BSN N7M46796
03-04A	INJECTOR - L175 NA ASN N7M470553, L175 EU ASN N7M468035; C175 NA ASN N7M466429, C175 EU ASN N7M46796

TABLE OF CONTENTS

04-01	STARTER
04-01A	BATTERY - CABLES
04-02	ALTERNATOR ASSY
04-03	ALTERNATOR MOUNTING
04-04	ELECTRIC - CAB
04-05	ELECTRIC - CAB (EUROPE)
04-05A	ELECTRIC CAB - LEFT HAND CONSOLE, DELUXE CAB
04-05B	ELECTRIC CAB - RIGHT HAND CONSOLE, DELUXE CAB
04-05C	ELECTRIC CAB - MAIN HARNESS AND FUSE BLOCK, DELUXE CAB
04-05D	ELECTRIC CAB, HARNESS AND FUSE BLOCK (EUROPE) - DELUXE CAB
04-05E	ELECTRIC CAB, DELUXE CAB
04-05F	ELECTRIC CAB - LIGHTS, DELUXE CAB
04-05G	ELECTRIC CAB, TURN SIGNALS - DELUXE CAB
04-06	ELECTRIC - CAB, 4-WAY FLASHERS
04-07	ELECTRIC - ENGINE
04-08	ELECTRIC - MAIN
04-09	ELECTRIC - MAIN
04-10	ELECTRIC - CHASSIS
04-10A	ELECTRIC, CHASSIS - DELUXE CAB
04-10B	ELECTRIC, CHASSIS - DELUXE CAB
04-10C	ELECTRICAL, CHASSIS - DELUXE CAB
04-11	BACKUP ALARM
04-12	BACK-UP ALARM, MODELS WITH PILOT CONTROL; IF USED
04-12A	BACK UP ALARM - MODELS WITH PILOT CONTROL; IF USED
04-12B	REMOTE JUMP START
04-13	HARNESS - TWO SPEED
04-14	HORN ASSEMBLY AND HARNESS
04-14A	HORN - DELUXE CAB
04-15	ELECTRIC, MOUNTING PLATE
04-15A	ELECTRIC, MOUNTING PLATE - DELUXE CAB
04-16	BOOM, ON-ROAD LIGHTS (EUROPE) IF USED
04-16A	BOOM, ON-ROAD LIGHTS (EUROPE) IF USED
04-17	FRONT HEADLAMP, ON-ROAD (EUROPE)
04-18	REAR LIGHT BAR, ON-ROAD (EUROPE)
04-19	BOOM, ON ROAD WITH TURN SIGNALS
04-20	FRONT HEADLAMP WITH TURN SIGNALS, ON ROAD (EUROPE)
04-20A	FRONT HEADLAMP - DELUXE CAB
04-21	REAR LIGHT BAR, BRAKE AND TURN SIGNALS; IF USED (EUROPE)
04-21A	REAR LIGHT BAR, BRAKE AND TURN SIGNALS; IF USED (EUROPE)
04-21B	REAR LIGHT ASSEMBLY - DELUXE CAB
04-21C	FRONT AND REAR WORK LIGHTS - DELUXE CAB
04-22	PILOT CONTROL HARNESS
04-23	ELECTRIC POWER KIT
04-24	HORN KIT
04-25	4-WAY FLASHER KIT
04-26	BEACON LIGHT KIT
04-26A	BEACON KIT, DELUXE CAB
04-27	WARNING BEACON LIGHT
04-28	LOADER LOCKOUT, PILOT CONTROLS (EUROPE)
04-29	HARNESS - EH AUXILIARY JUMPER
04-30	HEAT AND AIR CONDITIONING CONTROLS
06-01	TRANSMISSION CENTERING
06-02	HYDROSTATICS - PUMP TO DRIVE MOTORS, SINGLE SPEED
06-03	HYDROSTATICS - PUMP TO MANIFOLD, SINGLE SPEED
06-04	HYDROSTATICS - PUMP TO DRIVE MOTORS, TWO SPEED

<https://www.ebooklibonline.com>

Hello dear friend!

Thank you very much for reading.

Enter the link into your browser.

The full manual is available for immediate download.

<https://www.ebooklibonline.com>

TABLE OF CONTENTS

06-05	HYDROSTATICS - PUMP TO MANIFOLD, TWO SPEED
06-06	HYDROSTATICS - TWO SPEED
06-07	HYDROSTATICS - PUMP TO DRIVE MOTORS (C175)
06-08	HYDROSTATICS - TWO SPEED/BRAKE (C175)
06-09	HYDROSTATICS - TWO SPEED, VALVE ASSY
06-10	HYDROSTATICS - TWO SPEED, VALVE ASSY (C175)
06-11	HYDROSTATICS - BRAKE/TWO SPEED VALVE, MODELS WITH PILOT CONTROL
06-12	HYDROSTATICS - PILOT CONTROL TO PUMP
06-12A	HYDROSTATICS - JOYSTICK VALVE KITS, ISO PATTERN
06-13	HYDROSTATICS - PUMP TO MANIFOLD, MODELS WITH PILOT CONTROL
06-14	HYDROSTATICS - PUMP TO DRIVE MOTORS, MODELS WITH PILOT CONTROL
06-15	HYDROSTATICS - PUMP TO DRIVE MOTORS, MODELS WITH PILOT CONTROL
06-16	HYDROSTATICS - PUMP TO DRIVE MOTORS, 2 SPEED - MODELS WITH PILOT CONTROL
06-17	HYDROSTATICS - STANDARD FLOW, TWO SPEED - MODELS WITH PILOT CONTROL
06-18	HYDROSTATICS - PUMP TO DRIVE MOTORS (C175), MODELS WITH PILOT CONTROL
06-19	HYDROSTATICS - PUMP TO MANIFOLD (C175), MODELS WITH PILOT CONTROL
06-20	HYDROSTATICS - PUMP AND FITTINGS (C175), MODELS WITH PILOT CONTROL
06-21	HYDROSTATICS - BRAKE/TWO SPEED VALVE (C175), MODELS WITH PILOT CONTROL
06-22	TANDEM PUMP ASSEMBLY - SINGLE SPEED
06-23	PISTON PUMP, REAR - SINGLE SPEED
06-24	PISTON PUMP, FRONT - SINGLE SPEED
06-25	PISTON PUMP, CENTER MANIFOLD - SINGLE SPEED
06-26	TANDEM PUMP ASSEMBLY - TWO SPEED
06-27	PISTON PUMP, FRONT- TWO SPEED
06-28	PISTON PUMP, REAR - TWO SPEED
06-29	PISTON PUMP, CENTER - TWO SPEED
06-30	REXROTH PUMP AA20, ONE SPEED, PILOT CONTROLS
06-30A	REXROTH PUMP, TWO SPEED, PILOT CONTROLS
06-31	PRESSURE RELIEF VALVE
06-32	PRESSURE RELIEF VALVE
06-33	INTERNAL GEAR PUMP
06-34	ROTARY GROUP, RIGHT HAND ROTATION
06-35	CONTROL, HYDRAULIC
06-35A	CONTROL, HYDRAULIC
06-36	CONTROL CARTRIDGE WITH ORIFICE
06-36A	CONTROL CARTRIDGE WITH ORIFICE
06-37	LOCKING ELEMENTS
06-38	ROTARY GROUP, LEFT HAND ROTATION
06-38A	ROTARY GROUP, LEFT HAND ROTATION
06-40	MOTOR ASSEMBLY, SINGLE SPEED - REXROTH
06-41	MOTOR ASSEMBLY, SINGLE SPEED - REXROTH
06-42	MOTOR ASSEMBLY, SINGLE SPEED - REXROTH
06-43	MOTOR ASSEMBLY, TWO SPEED - REXROTH
06-44	MOTOR ASSEMBLY, TWO SPEED - REXROTH
06-45	MOTOR ASSEMBLY, TWO SPEED - REXROTH
06-46	MOTOR ASSEMBLY, TWO SPEED TRACK DRIVE (C175)
06-49	HYDRAULIC GEAR PUMP
06-50	HYDRAULIC GEAR PUMP
06-51	HYDRAULIC GEAR PUMP (HIGH FLOW)
06-52	HYDRAULIC GEAR PUMP (HIGH FLOW)
06-53	HYDRAULIC GEAR PUMP (HIGH FLOW)

TABLE OF CONTENTS

06-54	MOUNTING - PUMP SUPPORT, PILOT CONTROL
06-55	FINAL DRIVE (L175)
06-56	FINAL DRIVE (C175)
06-57	WHEELS
06-58	TRACK - RUBBER
07-01	BRAKE SYSTEM - HYDRAULIC
07-02	BRAKE - ON ROAD, EUROPE
07-03	BRAKE - ON ROAD, PILOT CONTROL
07-04	BRAKE SYSTEM - HYDRAULIC, MODELS WITH PILOT CONTROL
08-01	CONTROL VALVE HYDRAULICS
08-02	CONTROL VALVE HYDRAULICS
08-03	CONTROL VALVE
08-04	BUCKET HYDRAULICS, STANDARD
08-05	BOOM HYDRAULICS, STANDARD/HIGH FLOW
08-06	BUCKET HYDRAULICS, HIGH FLOW
08-07	AUXILIARY HYDRAULICS, STANDARD
08-08	AUXILIARY HYDRAULICS, HIGH FLOW
08-09	HYDRAULICS - MOUNTING PLATE; IF USED
08-09A	HYDRAULICS - MOUNTING PLATE; IF USED
08-10	CYLINDER ASSY - MOUNTING PLATE
08-11	VALVE ASSY - MOUNTING PLATE
08-12	BOOM HYDRAULICS - MOUNTING PLATE, HIGH FLOW
08-12A	BOOM HYDRAULICS - MOUNTING PLATE, HIGH FLOW (IF USED)
08-13	BOOM HYDRAULICS - MOUNTING PLATE, STANDARD FLOW
08-13A	BOOM HYDRAULICS - MOUNTING PLATE, STANDARD FLOW (IF USED)
08-14	FILTER AND RESERVOIR
08-15	FILTER ASSY
08-16	FILTER AND RESERVOIR - MODELS WITH PILOT CONTROL
08-16A	FILTER AND RESERVOIR - MODELS WITH PILOT CONTROL, C175 EUROPE
08-18	HYDRAULICS - HIGH FLOW
08-19	VALVE ASSY - HIGH FLOW
08-19A	VALVE ASSY - SECONDARY AUXILIARY
08-20	HYDRAULICS - HAND CONTROL RH, MODELS WITH PILOT CONTROL
08-21	HYDRAULICS - PILOT CONTROL TO CONTROL VALVE
08-21B	HYDRAULICS - JOYSTICK VALVE KITS, ISO PATTERN, RIGHT HAND
08-22	CONTROL VALVE HYDRAULICS, MODELS WITH PILOT CONTROL
08-22A	CONTROL VALVE HYDRAULICS, MODELS WITH PILOT CONTROL, EH AUX CONTROL
08-23	CONTROL VALVE, MODELS WITH PILOT CONTROL
08-23A	CONTROL VALVE, MODELS WITH PILOT CONTROL, EH AUX CONTROL
08-23B	CONTROL VALVE EH PLUMBING, MODELS WITH PILOT CONTROL, EH AUX CONTROL
08-24	CONTROL VALVE, SEAL REPLACEMENT KITS
08-25	CONTROL VALVE, SEAL KIT
08-26	CONTROL VALVE, SPOOL END GROUP P. O.
08-27	CONTROL VALVE, SPOOL END GROUP P. O.
08-28	CONTROL VALVE - SPOOL END GROUP, DETENT
08-29	CONTROL VALVE, CHECK VALVE GROUP
08-30	CONTROL VALVE, SPOOL END GROUP P. O.
08-31	CONTROL VALVE, PLUGS AND VALVES
08-37	HYDRAULICS, STANDARD FLOW, ONE SPEED - MODELS WITH PILOT CONTROL
08-38	HYDRAULICS, STANDARD FLOW, TWO SPEED - MODELS WITH PILOT CONTROL
08-39	HYDRAULICS, HIGH FLOW, ONE SPEED - MODELS WITH PILOT CONTROL; IF USED
08-39A	HYDRAULICS, HIGH FLOW, TWO SPEED - PILOT CONTROL, EH AUX; IF USED
08-40	HYDRAULICS, HIGH FLOW, TWO SPEED - MODELS WITH PILOT CONTROL; IF USED

TABLE OF CONTENTS

08-40A	HYDRAULICS, HIGH FLOW, TWO SPEED - MODELS WITH PILOT CONTROL; IF USED
08-41	CONTROL VALVE 87583689 - SEAL REPLACEMENT KITS
08-41A	CONTROL VALVE 87653270 - SEAL REPLACEMENT KITS
08-42	CONTROL VALVE - SEAL KIT
08-43	CONTROL VALVE - MAIN RELIEF VALVE
08-44	CONTROL VALVE, PLUGS AND VALVES
08-45	CONTROL VALVE, CHECK VALVE GROUP
08-46	CONTROL VALVE - SPOOL END GROUP, DETENT
08-47	CONTROL VALVE, SPOOL END GROUP P. O.
08-48	CONTROL VALVE, SPOOL END GROUP P. O.
08-49	CONTROL VALVE, SPOOL END GROUP P. O.
08-50	CONTROL VALVE - SPOOL END GROUP
08-51	CONTROL VALVE - CHECK VALVE GROUP
08-52	CONTROL VALVE, SPOOL END GROUP EHPV
08-53	CONTROL VALVE, SPOOL END GROUP EHPV
09-01	CHASSIS (L175)
09-01A	CHASSIS (C175)
09-02	MOUNTING PLATE
09-03	BOOM
09-04	BOOM LOCK
09-04A	CLEARANCE KIT
09-05	BUCKET CYLINDER
09-06	BOOM CYLINDER
09-06A	BOOM CYLINDER
09-07	BUCKETS - LOADER, DIRT / FOUNDRY
09-08	BUCKETS - LOADER, EXTENDED LOW PROFILE
09-09	BUCKETS - LOADER, UTILITY / LIGHT MATERIAL
09-10	BUCKETS - LOADER, MANURE / SLURRY
09-10A	BUCKET - CUTTING EDGE
09-10B	BUCKET, CUTTING EDGE KIT
09-11	PALLET FORK
09-12	FENDERS (L175)
09-13	FENDERS (C175)
09-14	THRESHOLD - REAR WINDOW
09-15	CAB
09-15A	CAB - DELUXE CAB
09-15B	CAB - INTERIOR TRIM, MANUAL CONTROLS, DELUXE CAB
09-15C	CAB - INTERIOR TRIM, PILOT CONTROLS, DELUXE CAB
09-16	CAB - HEADLINER
09-17	CAB - HEADLINER, WITH HEAT AND AIR CONDITIONING
09-17A	CAB - HEADLINER, DELUXE CAB
09-17B	CAB HEADLINER, DELUXE OPEN CAB
09-18	CAB - HEATER SYSTEM
09-18A	CAB - HEATER SYSTEM, DELUXE CAB
09-19	CAB - HEATER
09-20	CAB - HEATER AND AIR CONDITIONING
09-20A	CAB - HEATER AND AIR CONDITIONING SYSTEM, DELUXE CAB
09-21	CAB - AIR CONDITIONING ASSY
09-21A	CAB - HEATER AND AIR CONDITIONING UNIT
09-22	CONDENSER UNIT - AIR CONDITIONING
09-23	COMPRESSOR ASSEMBLY - AIR CONDITIONING
09-24	THRESHOLD & CAB WINDOWS (EUROPE)
09-25	CAB DOOR
09-26	CAB DOOR - WIPER
09-27	CAB DOOR

TABLE OF CONTENTS

09-28	DEMOLITION DOOR
09-28A	CAB - DEMOLITION DOOR KIT, DELUXE CAB
09-28B	CAB - DEMOLITION DOOR AND FRAME, DELUXE CAB
09-28C	CAB - DEMOLITION DOOR, DELUXE CAB
09-28D	DEMOLITION DOOR KIT, LESS DOOR
09-29	CAB - DOOR AND FRAME, DELUXE CAB
09-29A	CAB - DOOR KIT, DELUXE CAB
09-29B	CAB - DOOR, DELUXE CAB
09-29C	CAB - DOOR FRAME, DELUXE CAB
09-30	DOOR - SWITCH ASSY
09-31	CAB - WINDOWS
09-31A	CAB - WINDOWS AND HEADLINER, DELUXE CAB
09-32	CAB - SIDE WINDOW, RIGHT HAND
09-32A	CAB - SIDE WINDOW, RIGHT HAND, DELUXE CAB
09-32B	CAB - SIDE WINDOW, RIGHT HAND, DELUXE CAB
09-32C	CAB - SIDE WINDOW, RIGHT HAND ASSY, DELUXE CAB
09-32D	CAB - SIDE WINDOW, RIGHT HAND ASSY, DELUXE CAB
09-33	CAB - SIDE WINDOW, LEFT HAND
09-33A	CAB - SIDE WINDOW, LEFT HAND, DELUXE CAB
09-33B	CAB - TOP WINDOW, DELUXE CAB
09-33C	CAB - SIDE WINDOW ASSY, LEFT HAND, DELUXE CAB
09-33D	CAB - SIDE WINDOW, LEFT HAND ASSY, DELUXE CAB
09-33E	CAB - SIDE WINDOW, LEFT HAND ASSY, DELUXE CAB
09-34	CAB - FLOOR PLATE KIT
09-35	DOOR, REAR
09-36	REAR HOOD
09-37	HANDLES - CONTROL
09-38	HANDLES
09-38A	HANDLES, MODELS WITH PILOT CONTROL, AUX CONTROL
09-39	HANDLES - CONTROL, MODELS WITH PILOT CONTROL
09-39A	HANDLES - CONTROL, MODELS WITH PILOT CONTROL, EH AUX CONTROL
09-40	HAND CONTROL - LEVERS
09-41	HAND CONTROL - KICK PANEL, RH
09-42	HAND CONTROL - KICK PANEL, LH
09-43	HAND CONTROL - PEDALS
09-43A	BOOM & BUCKET HAND CONTROL KIT
09-43B	BOOM & BUCKET HAND CONTROL, PEDALS - KIT
09-44	BOOM & BUCKET FOOT CONTROL, HYDROSTATIC LEVERS
09-45	BOOM & BUCKET FOOT CONTROL, KICK PANEL, RH
09-46	BOOM & BUCKET FOOT CONTROL, KICK PANEL, LH
09-47	BOOM & BUCKET FOOT CONTROL, PEDALS
09-48	BOOM & BUCKET HAND CONTROL, TUNNEL COMPONENTS
09-49	BOOM & BUCKET HAND CONTROL KIT
09-50	FOOT THROTTLE KIT
09-51	TUNNEL COMPONENTS - MODELS WITH PILOT CONTROL
09-51A	TUNNEL COMPONENTS - DELUXE CAB
09-51B	TUNNEL COMPONENTS - MODELS WITH PILOT CONTROL, EH AUX CONTROL
09-52	PEDALS - MODELS WITH PILOT CONTROL
09-52A	PEDALS - MODELS WITH PILOT CONTROL, EH AUX CONTROL
09-53	HAND CONTROL - PILOT CONTROL, UPPER RH
09-54	HAND CONTROL - PILOT CONTROL, UPPER RH
09-55	HAND CONTROL - PILOT CONTROL, UPPER LH
09-56	HAND CONTROL - PILOT CONTROL, UPPER LH
09-57	ACOUSTICAL EQUIPMENT
09-58	ACOUSTICAL EQUIPMENT

TABLE OF CONTENTS

09-58A	ACOUSTICAL EQUIPMENT
09-58B	ACOUSTICAL EQUIPMENT - MUFFLER WRAP
09-58C	ACOUSTICAL EQUIPMENT - SOUND KIT
09-59	SEAT ASSY, STANDARD
09-60	SEAT, STANDARD
09-61	SEAT ASSY, SUSPENSION
09-62	SEAT, SUSPENSION
09-63	SEAT, SUSPENSION - KIT
09-64	SEAT BELT, STANDARD
09-65	SEAT BELT, SHOULDER BELT
09-66	SEAT BELT, 3 IN. COMBINATION - IF USED
09-66A	SEAT BELT, LAP BELT
09-67	SEATBELT KITS
09-68	ARMREST - MODELS WITH PILOT CONTROL
09-68A	ARMREST - DELUXE CAB
09-69	FOREARM REST
09-70	ARM PAD & ARMREST KIT, STANDARD SEAT
09-71	FIRE EXTINGUISHER & INSIDE REAR-VIEW MIRROR
09-71A	MANUAL COMPARTMENT LOCK & FIRE EXTINGUISHER, EUROPE
09-72	COUNTERWEIGHT
09-72A	CAB JACK KIT
09-73	DECALS - NORTH AMERICA
09-74	DECALS - NORTH AMERICA/EUROPE
09-75	DECALS - NORTH AMERICA
09-76	DECALS - EUROPE
09-77	DECALS - EUROPE
09-78	DECALS - EUROPE
09-79	DECALS - PILOT CONTROLS
09-80	DECALS - BRAZILIAN PORTUGUESE, CANADIAN FRENCH, LATIN AMERICAN SPANISH
09-81	DECALS - BOOM AND LOAD
09-82	DECALS - CONTROLS (EUROPE)
09-83	DECALS - CONTROLS
09-84	DECALS - DELUXE CAB
09-85	DECALS - DELUXE CAB
09-86	DECALS - DELUXE CAB
09-87	DECALS - 35TH ANNIVERSARY
09-88	SLOW MOVING VEHICLE EMBLEM KIT

SECTION INDEX

Engine

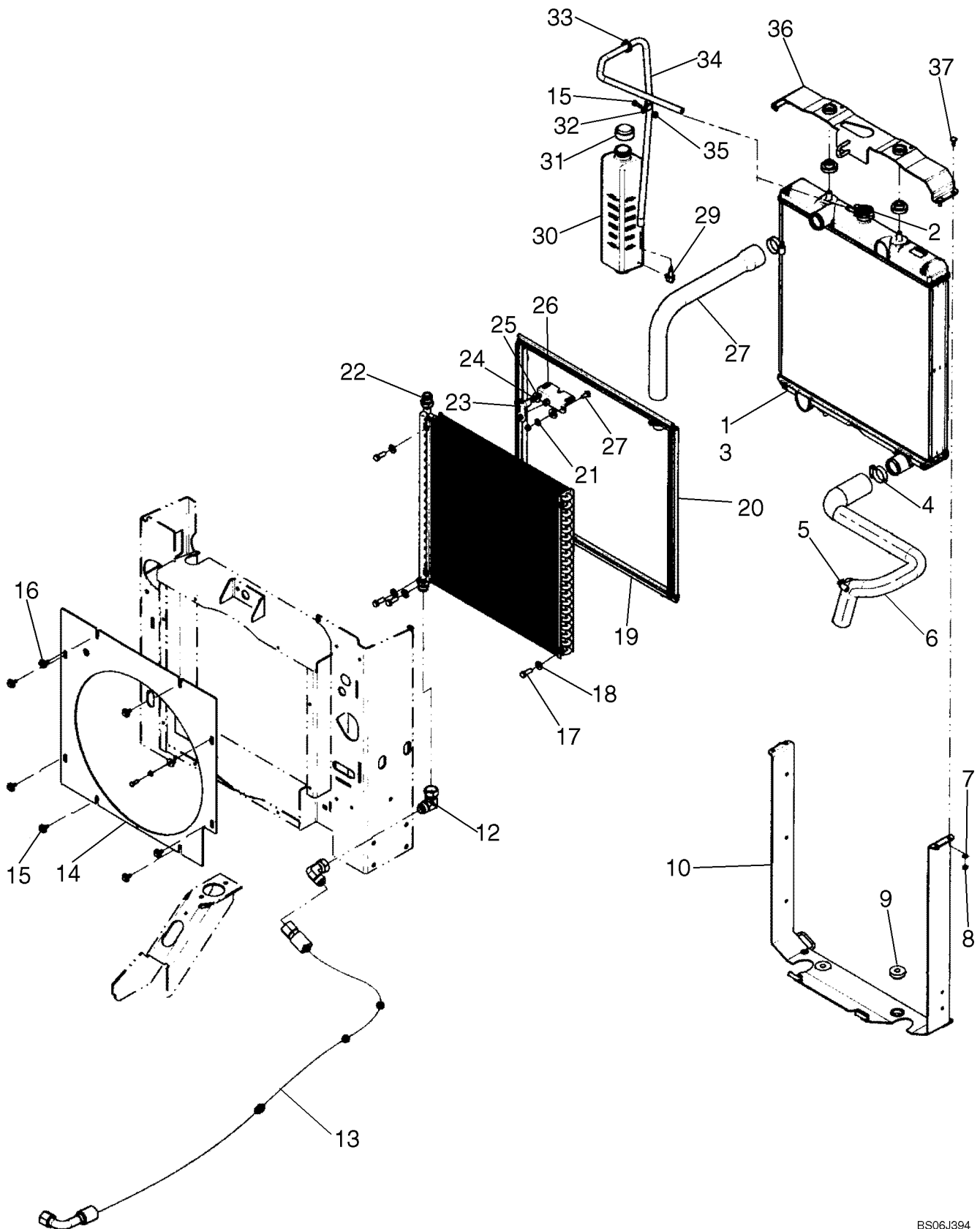
02-01	RADIATOR - COOLANT RECOVERY SYSTEM
02-02	AIR CLEANER - ENGINE
02-03	EXHAUST SYSTEM
02-04	MUFFLER - ASPIRATED, IF USED
02-04A	MUFFLER - ASPIRATED, IF USED
02-05	ENGINE, MOUNTING - L175 NA BSN N7M470553, L175 EU BSN N7M468035; C175 NA BSN N7M466429, C175 EU BSN
02-05A	ENGINE, MOUNTING - L175 NA ASN N7M470553, L175 EU ASN N7M468035; C175 NA ASN N7M466429, C175 EU ASN
02-06	BLOCK HEATER KIT
02-07	CYLINDER BLOCK - OIL FILTER - L175 NA BSN N7M470553, L175 EU BSN N7M468035; C175 NA BSN N7M466429, C
02-08	CYLINDER HEAD - L175 NA BSN N7M470553, L175 EU BSN N7M468035; C175 NA BSN N7M466429, C175 EU BSN N7M
02-09	VALVE COVER AND CRANKSHAFT PULLEY - L175 NA BSN N7M470553, L175 EU BSN N7M468035; C175 NA BSN N7M466
02-10	ROCKER ARMS
02-11	CAMSHAFT - L175 NA BSN N7M470553, L175 EU BSN N7M468035; C175 NA BSN N7M466429, C175 EU BSN N7M46796
02-12	CRANKSHAFT AND PISTONS
02-13	INTAKE MANIFOLD
02-14	TURBOCHARGER
02-15	TIMING GEAR CASE, GOVERNOR - L175 NA BSN N7M470553, L175 EU BSN N7M468035; C175 NA BSN N7M466429, C1
02-16	OIL PAN
02-17	OIL PUMP AND SUCTION FILTER - L175 NA BSN N7M470553, L175 EU BSN N7M468035; C175 NA BSN N7M466429, C
02-18	WATER PUMP
02-19	FLYWHEEL, BELL HOUSING - L175 NA BSN N7M470553, L175 EU BSN N7M468035; C175 NA BSN N7M466429, C175 E
02-20	CYLINDER BLOCK - OIL FILTER - L175 NA ASN N7M470553, L175 EU ASN N7M468035; C175 NA ASN N7M466429, C
02-21	CYLINDER HEAD - L175 NA ASN N7M470553, L175 EU ASN N7M468035; C175 NA ASN N7M466429, C175 EU ASN N7M
02-22	VALVE COVER AND CRANKSHAFT PULLEY - L175 NA ASN N7M470553, L175 EU ASN N7M468035; C175 NA ASN N7M466
02-23	CAMSHAFT - L175 NA ASN N7M470553, L175 EU ASN N7M468035; C175 NA ASN N7M466429, C175 EU ASN N7M46796
02-24	TIMING GEAR CASE, GOVERNOR - L175 NA ASN N7M470553, L175 EU ASN N7M468035; C175 NA ASN N7M466429, C1
02-25	OIL PUMP & SUCTION FILTER - L175 NA ASN N7M470553, L175 EU ASN N7M468035; C175 NA ASN N7M466429, C17
02-26	FLYWHEEL, BELL HOUSING - L175 NA ASN N7M470553, L175 EU ASN N7M468035; C175 NA ASN N7M466429, C175 E

RADIATOR - COOLANT RECOVERY SYSTEM

RADIADOR - SISTEMA DE RECUPERACION DEL REFRIGERANTE

RADIATEUR - CIRCUIT DE RECUPERATION DU LIQUIDE DE REFROIDISS

KÜHLER - KÜHLMITTEL-RÜCKGEWINNUNGSSYSTEM

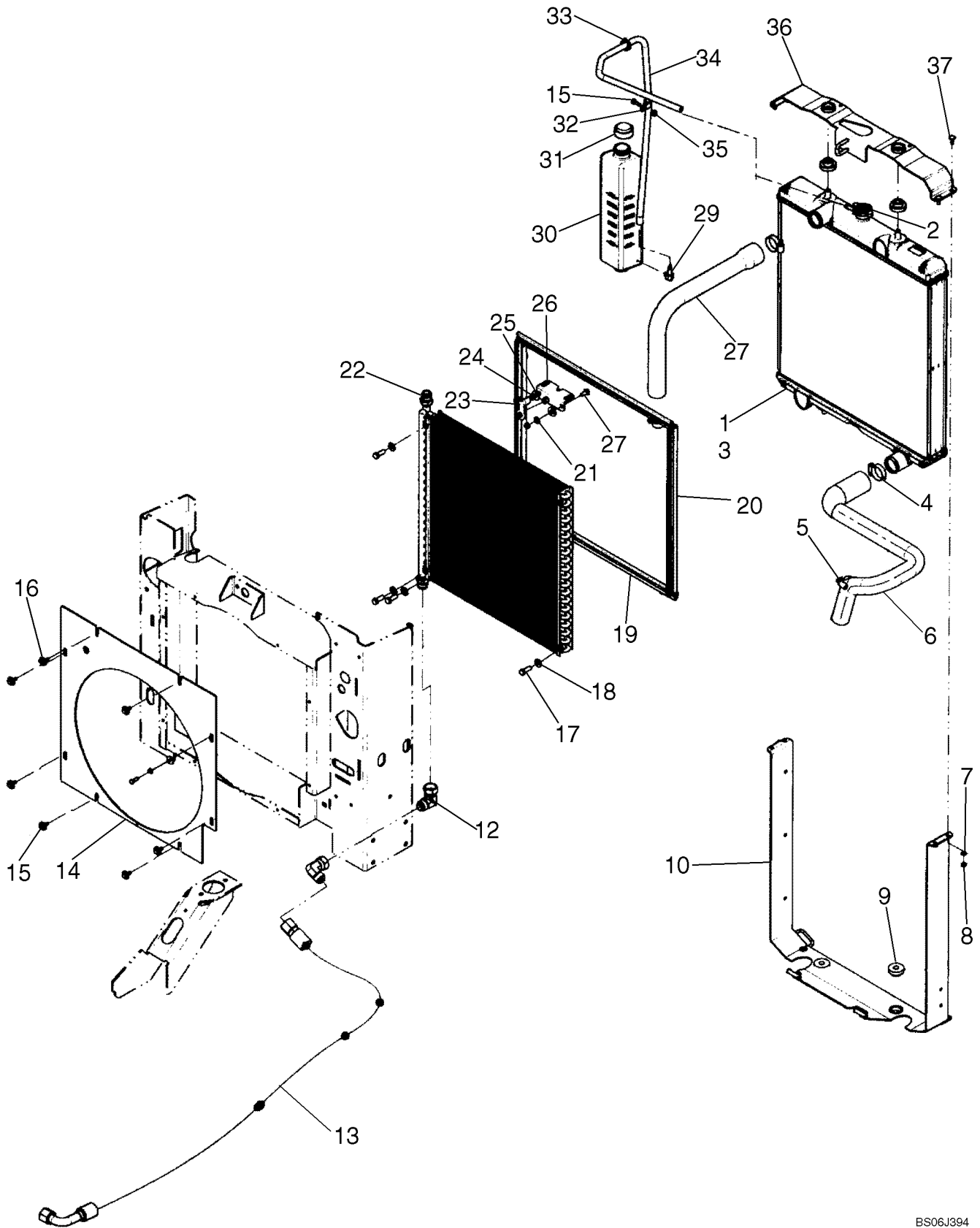


RADIATORE - SISTEMA DI RECUPERO DEL REFRIGERANTE
KØLER - KØLEMIDDELGENINDVINDINGSSYSTEM
RADIADOR - SISTEMA DE RECUPERAÇÃO DO FLUIDO DE REFRIGERAÇÃO
RADIATOR - KOELVLOEISTOFOPVANGSYSTEEM

R	N	P.N.	MOD	Q	Description Descrizione	Denominacion Beskrivelse	Description Denominação	Bezeichnung Beschrijving	L.C.
1		87013856		1	RADIATOR RADIATORE	RADIADOR KØLER	RADIATEUR ARREFECEDOR	KÜHLER RADIATORKOELER	025R
2		87032486		1	CAP, RADIATOR TAPPO RADIATORE	TAPON RADIADOR KOELERDAEKSEL	BOUCHON RADIATEUR TAMPAO	KÜHLERVERSCHLUSSDI RADIATORDOP	039T
3		87032485		1	DRAINCOCK/TAP, SUPPLY, Drain Cock; Not Illustrated	GRIFO	ROBINET	ABLASSHAHN	150R
4		86050202		2	RUBINETTO CLAMP, HOSE, #32, 1.56/2.50 Type F Worm	HANE ABRAZADERA MANGUEI	TORNEIRA	KRAAN	
5		513309		2	MORSETTO CLAMP, HOSE, #24, 1.06/2.00 Type F Worm	SLANGEKLEMME ABRAZADERA MANGUEI	BRACADEIRA MANGUEI	SCHLAUCHSCHELLE SLANGKLEM	P729
6		87360745		1	CLAMP, HOSE, #24, 1.06/2.00 Type F Worm MORSETTO	SLANGEKLEMME ABRAZADERA MANGUEI	BRACADEIRA MANGUEI	SCHLAUCHSCHELLE SLANGKLEM	P729
7		322357		12	HOSE, Lower Radiator MANICOTTO FLESSIBILE	MANGA SLANGE	FLEXIBLE TUBO FLEXIVEL	SCHLAUCH FLEXIBELE BUIS	030M
8		7770		4	WASHER, SPRING, Belleville, M6 MOLLA BELLEVILLE	ARANDELA ABANICO BELLEVILLEVASKER	RONDELLE BELLEVILLE ARRUELA MOLA	FEDERSCHEIBE WASHER, SPRING	P692
9		87017045		4	NUT, 1/4"-20, G5 DADO	TUERCA MOETRIK	ECROU PORCA	MUTTER MOER	010D
10		87393455		4	CUSHION CUSCINO	COJIN PUDE	COUSSIN COXIM	KISSEN CUSHION	2460
11		87393455		1	FRAME TELAIO	BASTIDOR RAMME	CHASSIS ESTRUTURA	GESTELL RAAM	077T
12		219603		2	ELBOW, 90°, 1 1/16"-12, 37° x 1 1/16"-12, 37° Fem Sw	CODO	COUDE	KNIESTUECK	085G
13		87043921		1	GOMITO HOSE, 1615 mm, 63.58 in. MANICOTTO FLESSIBILE	VINKELROER MANGA SLANGE	JOELHO FLEXIBLE TUBO FLEXIVEL	ELLEBOOG SCHLAUCH FLEXIBELE BUIS	030M
14		87543378		1	SHROUD, Fan RIPARO	BOQUILLA DÆKKE	BUSE COBERTURA	ABDECKUNG SHROUD	7830
15		9707580		9	BOLT, Hex, 1/4"-20 x 3/4", G5, Full Thd	TORNILLO	BOULON	SCHRAUBE	140B
16		140040		8	BULLONE WASHER, M6 x 22 x 2 ROSETTA PIANA	SKRUE ARANDELA FLADSKIVE	PARAFUSO RONDELLE ANILHA	BOUT UNTERLEGSCHIEBE SLUITRING	131R
17		88206		4	BOLT, Hex, 3/8"-16 x 1", G5, Full Thd	TORNILLO	BOULON	SCHRAUBE	140B
18		140045		4	BULLONE WASHER, SPRING, Belleville, M10	SKRUE	PARAFUSO	BOUT	
19		87016847		2	ARANDELA ABANICO MOLLA BELLEVILLE	ARANDELA ABANICO BELLEVILLEVASKER	RONDELLE BELLEVILLE ARRUELA MOLA	FEDERSCHEIBE WASHER, SPRING	P692
20		87026112		2	SEAL ANELLO DI TENUTA	ANILLO DE CIERRE PAKNINGSRING	JOINT ANEL DE VEDACAO	DICHTUNG DICHTINGSRING	132A
21		322358		2	SEAL ANELLO DI TENUTA	ANILLO DE CIERRE PAKNINGSRING	JOINT ANEL DE VEDACAO	DICHTUNG DICHTINGSRING	132A
				2	WASHER, SPRING, Belleville, M8 MOLLA BELLEVILLE	ARANDELA ABANICO BELLEVILLEVASKER	RONDELLE BELLEVILLE ARRUELA MOLA	FEDERSCHEIBE WASHER, SPRING	P692

C175 L175

RADIATOR - COOLANT RECOVERY SYSTEM
RADIADOR - SISTEMA DE RECUPERACION DEL REFRIGERANTE
RADIATEUR - CIRCUIT DE RECUPERATION DU LIQUIDE DE REFROIDISS
KÜHLER - KÜHLMITTEL-RÜCKGEWINNUNGSSYSTEM

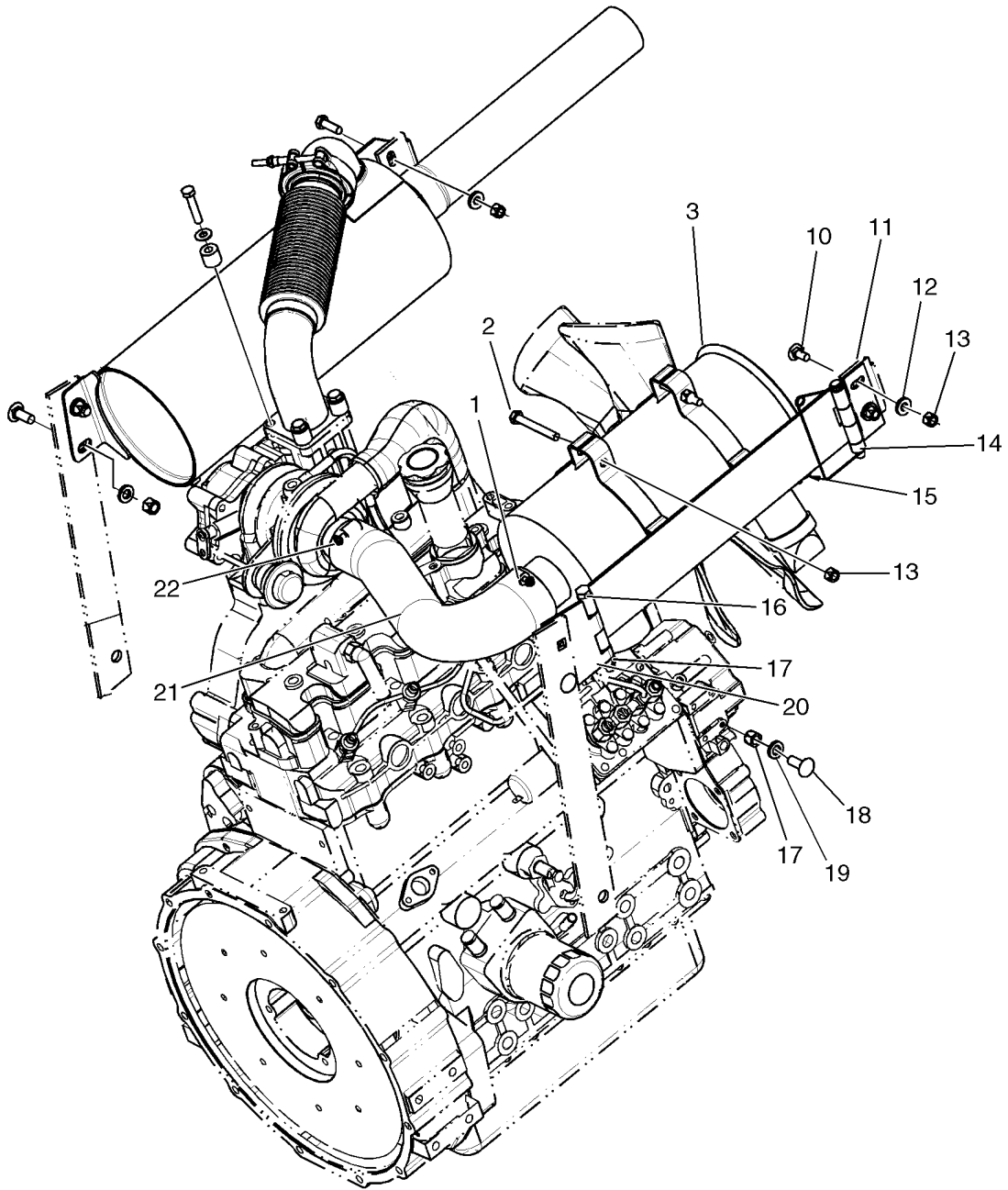


RADIATORE - SISTEMA DI RECUPERO DEL REFRIGERANTE
KØLER - KØLEMIDDELGENINDVINDINGSSYSTEM
RADIADOR - SISTEMA DE RECUPERAÇÃO DO FLUIDO DE REFRIGERAÇÃO
RADIATOR - KOELVLOEISTOFOPVANGSYSTEEM

R	N	P.N.	MOD	Q	Description Descrizione	Denominacion Beskrivelse	Description Denominação	Bezeichnung Beschrijving	L.C.
22		87014852		1	COOLER, OIL RADIATORE OLIO	RADIADOR ACEITE OLIEKØLER	REFROIDISSEUR D'HUIL ARREFECEDOR	ÖLKÜHLER RADIATOR	026R
23		87017116		1	LEVER LEVA	PALANCA HAANDTAG	LEVIER ALAVANCA	HEBEL HEFBOOM	045L
24		9635082		2	NUT, 5/16"-18, G5 DADO	TUERCA MOETRIK	ECROU PORCA	MUTTER MOER	010D
25		80702		2	WASHER, 3/8" ROSETTA PIANA	ARANDELA FLADSKIVE	RONDELLE ANILHA	UNTERLEGSCHIEBE SLUITRING	131R
26		84015292		1	LOCK, If Used SERRATURA	CERRADURA LAAS	SERRURE FECHADURA	SCHLOSS SLOT	120S
26		87705306		1	LATCH, If Used CHIAVISTELLO	PESTILLO PAL	LOQUET TRINCO	KLINKE KLINK	156C
27		87360744		1	HOSE, Upper Radiator MANICOTTO FLESSIBILE	MANGA SLANGE	FLEXIBLE TUBO FLEXIVEL	SCHLAUCH FLEXIBELE BUIS	030M
29		87013232		1	FITTING, Elbow, 90 Hose Stem 5/16 ID X 1/8 NPTF	CONEXION FITTING	RACCORD CONEXAO	FITTING FITTING	3300
30		87360734		1	BOTTLE, Bottle, Coolant Recovery	BOTELLA BOMBOLETTA	BOUTEILLE GARRAFA	FLASCHE FLES	102B
31		9807943		1	COVER, CAP COPRITAPPO	CAPUCHA DE TAPON PROPDÆKSEL	CACHE-BOUCHON TAMPA DE COBERTURA	DECKEL AFSCHERMKAP	293C
32		9706748		1	CLAMP, 5/8", Insul, 5/16" Bolt	BORNE MORSETTO	BRIDE BORNE	KLEMME KLEM	120M
33		86502507		1	GROMMET ANELLO PASSACAIVO	SPÆNDEBÅND PASACABLES	PASSE-FIL CASQUILHO ISOLADOR	TÜLLE KABELDOORGANG	131A
34		87363097		1	HOSE, Coolant Recovery MANICOTTO FLESSIBILE	MANGA SLANGE	FLEXIBLE TUBO FLEXIVEL	SCHLAUCH FLEXIBELE BUIS	030M
35		9626558		1	NUT, LOCK, Flg, 1/4"-20 CONTRODADO	CONTRA TUERCA NUT, LOCK	CONTRE-ECROU CONTRA PORCA	SICHERUNGSMUTTER NUT, LOCK	P263
36		87459340		1	FRAME INTELAIATURA	ESTRUCTURA CHASSIS	CHASSIS CHASSIS	RAHMENGESTELL KADER	072I
37		280638		4	BOLT, CARRIAGE, Short NK, 1/4"-20 x 3/4", G5, Full Thd	PERNO, CABEZA ROND/ BULLONE TESTA TOND/	BOULON TETE BOMBEE PARAFUSO	FLACHRUNDSCHRAUBE BOLT, CARRIAGE	P123

C175 L175

AIR CLEANER - ENGINE
FILTRO DE AIRE - MOTOR
FILTRE A AIR - MOTEUR
LUFTFILTER - MOTOR



FILTRO DELL'ARIA - MOTORE
 LUFTFILTER - MOTOR
 FILTRO DE AR - MOTOR
 LUCHTFILTER - MOTOR

R	N	P.N.	MOD	Q	Description Descrizione	Denominacion Beskrivelse	Description Denominação	Bezeichnung Beschrijving	L.C.
1		45014		1	CLAMP, HOSE, #40, 2.06/3.00 Type F Worm MORSETTO	ABRAZADERA MANGUEI SLANGEKLEMME	BRIDE, FLEXIBLE BRACADEIRA MANGUEI	SCHLAUCHSCHELLE SLANGKLEM	P729
2		88346		2	BOLT, Hex, 5/16"-18 x 2 1/2", G5 BULLONE	TORNILLO SKRUE	BOULON PARAFUSO	SCHRAUBE BOUT	140B
3		87033035		1	AIR CLEANER, Incl. 4 - 9; Component Parts Not Illustrated Separately DEPURATORE	DEPURADOR LUFTFILTER	FILTER A AIR DEPURADOR	LUFTFILTER LUCHTREINIGER	021D
4		221407		1	NUT, WING GALLETTO	TUERCA MARIPOSA VINGEMOETRIK	ECROU A OREILLES PORCA ORELHAS	FLÜGELMUTTER VLEUGELMOER	021G
5		221410		1	COVER COPERCHIO	TAPADERA DÆKSEL	COUVERCLE COBERTA	ABDECKUNG DEKSEL	265C
6		87033038		1	VALVE, DUST VALVOLA, POLVERE	VÁLVULA DE POLVO STØVVENTIL	VALVE A POUSSIÈRE VALVULA ALIVIO	STAUBAUSWURFVENTIL VALVE, DUST	P677
7		87035488		1	FILTER, AIR, Primary Filter FILTRO ARIA	FILTRO DE AIRE LUFTFILTER	FILTRE A AIR FILTRO DE AR	LUFTFILTER LUCHTFILTER	066F
8		87035489		1	FILTER, AIR, Safety Filter FILTRO ARIA	FILTRO DE AIRE LUFTFILTER	FILTRE A AIR FILTRO DE AR	LUFTFILTER LUCHTFILTER	066F
9		629086		1	DECAL, Danger; See Figure 09-75, Ref 11 DECALCOMANIA	CALCOMANIA TRANSFER	DECALCOMANIE DECALCOMANIA	TORSIONSSTAB DECAL	012D
10		280327		2	SCREW, Short NK, 5/16"-18 x 3/4", G5 VITE	TORNILLO SKRUE	VIS PARAFUSO	SCHRAUBE SCHROEF	040V
11		87384112		1	BRACKET, Bracket, Gray; If Used STAFFA	PIEZA DE SOPORTE BESLAG	PATTE FIXATION BRACADEIRA	KONSOLE STEUNBEUGEL	225S
11		87668576		1	HINGE, Bracket, Gray; If Used CERNIERA	BISAGRA HAENGSEL	CHARNIERE DOBRADICA	SCHARNIER SCHARNIER	140C
12		86624142		4	WASHER, .344" x 3/4" x .120" ROSETTA PIANA	ARANDELA FLADSKIVE	RONDELLE ANILHA	UNTERLEGSSCHEIBE SLUITRING	131R
13		86629544		6	NUT, LOCK, 5/16"-18, GB CONTRODADO	CONTRA TUERCA NUT, LOCK	CONTRE-ECROU CONTRA PORCA	SICHERUNGSMUTTER NUT, LOCK	P263
14		87390667		1	RETAINER, Snap Pin .375 X 3.500 GR5 RITEGNO	RETENEDOR HOLDER	RETENEUR RETENTOR	HALTEPLATTE HOUDER	109R
15		87379064		1	BRACKET, SUPPORTING, Air Cleaner Support SQUADRETTA	PIEZA DE APOYO STOETTEBESLAG	EQUERRE PECA DE SUPORTE	SCHALTER, AUTOM. AU: DRAAGARM	215S
16		280796		1	BOLT, Hex, 3/8"-16 x 4 1/4", G5 BULLONE	TORNILLO SKRUE	BOULON PARAFUSO	SCHRAUBE BOUT	140B
17		88902		4	NUT, LOCK, 3/8"-16, GC CONTRODADO	CONTRA TUERCA NUT, LOCK	CONTRE-ECROU CONTRA PORCA	SICHERUNGSMUTTER NUT, LOCK	P263

C175 L175



Suggest:

If the above button click is invalid.

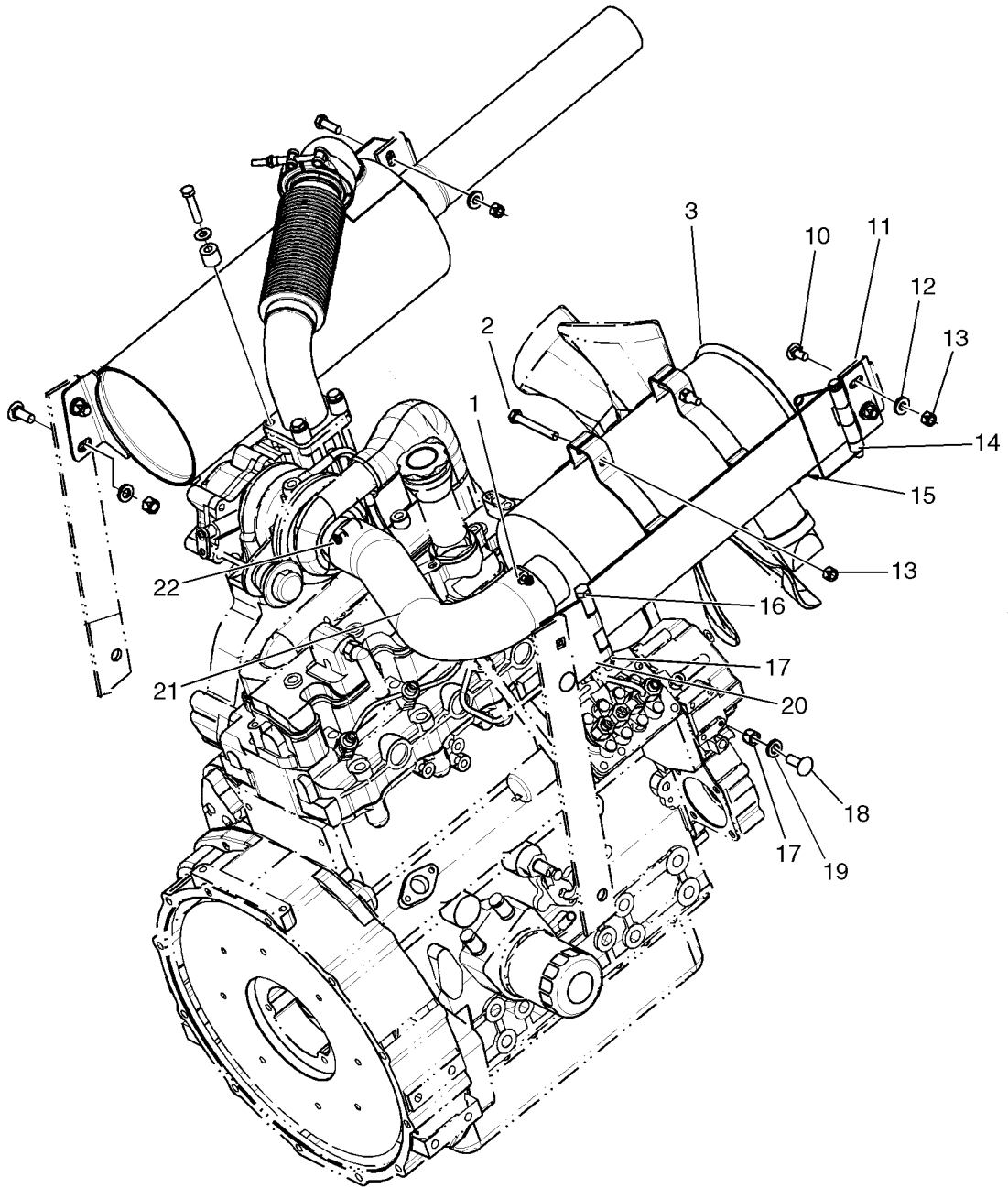
Please download this document

first, and then click the above link

to download the complete manual.

Thank you so much for reading

AIR CLEANER - ENGINE
FILTRO DE AIRE - MOTOR
FILTRE A AIR - MOTEUR
LUFTFILTER - MOTOR



<https://www.ebooklibonline.com>

Hello dear friend!

Thank you very much for reading.

Enter the link into your browser.

The full manual is available for immediate download.

<https://www.ebooklibonline.com>