

 **NEW HOLLAND**



NEW HOLLAND

LB95.B

NEW HOLLAND KOBELCO

Parts
Catalog

Catalogo
parti
di ricambio

Catalogue
des pièces
détachées

Ersatzteilkatalog

Catálogo
de piezas
de repuesto

Print No 604.04.314.01
Printed in Italy

Parts Catalog

Catalogo parti
di ricambio

Catalogue
des pièces
détachées

Ersatzteilkatalog

Catálogo
de piezas
de repuesto

 **NEW HOLLAND**

LB95.B
NEW HOLLAND KOBELCO

PROVEN PERFORMANCE

0.021

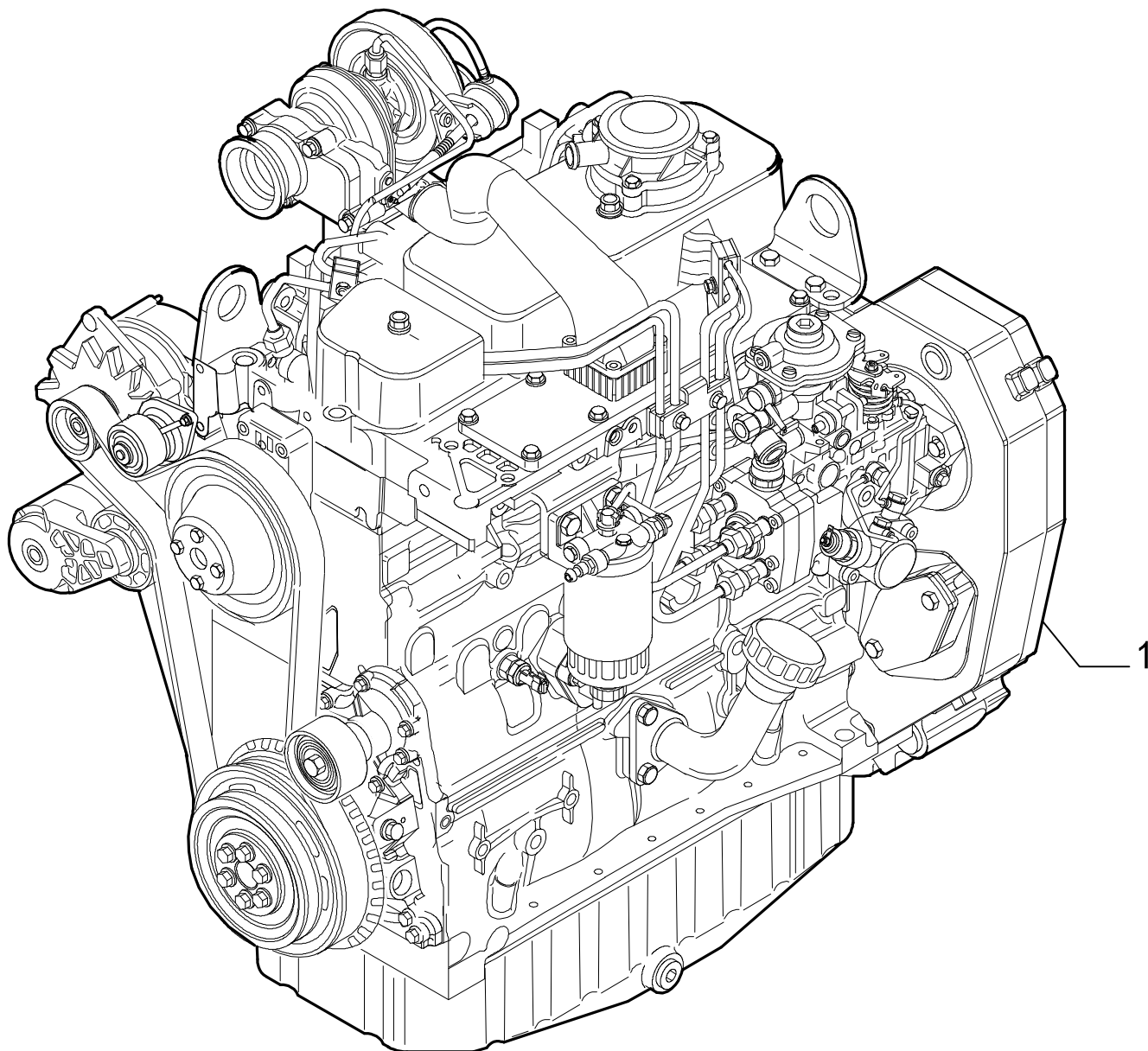
01

p1

12/05

ENGINE
MOTORE
MOTEUR
MOTOR

1



0.021

01

p1

12/05

MOTOR
MOTOR
MOTOR
MOTOR

R	N	P.N.	MOD	Q	Description Denominacion	Descrizione Denominação	Description Beschrijving	Bezeichnung Beskrivelse	L.C.
1	1	86990710		1	ENGINE, - ASSY MOTOR	MOTORE MOTOR	MOTEUR MOTOR	MOTOR MOTOR	130M
1		87342412		1	ENGINE, - ASSY MOTOR	MOTORE MOTOR	MOTEUR MOTOR	MOTOR MOTOR	130M

(1) Only for B95, B95LR, B95TC

LB95.B

1

<https://www.ebooklibonline.com>

Hello dear friend!

Thank you very much for reading.

Enter the link into your browser.

The full manual is available for immediate download.

<https://www.ebooklibonline.com>

0.040

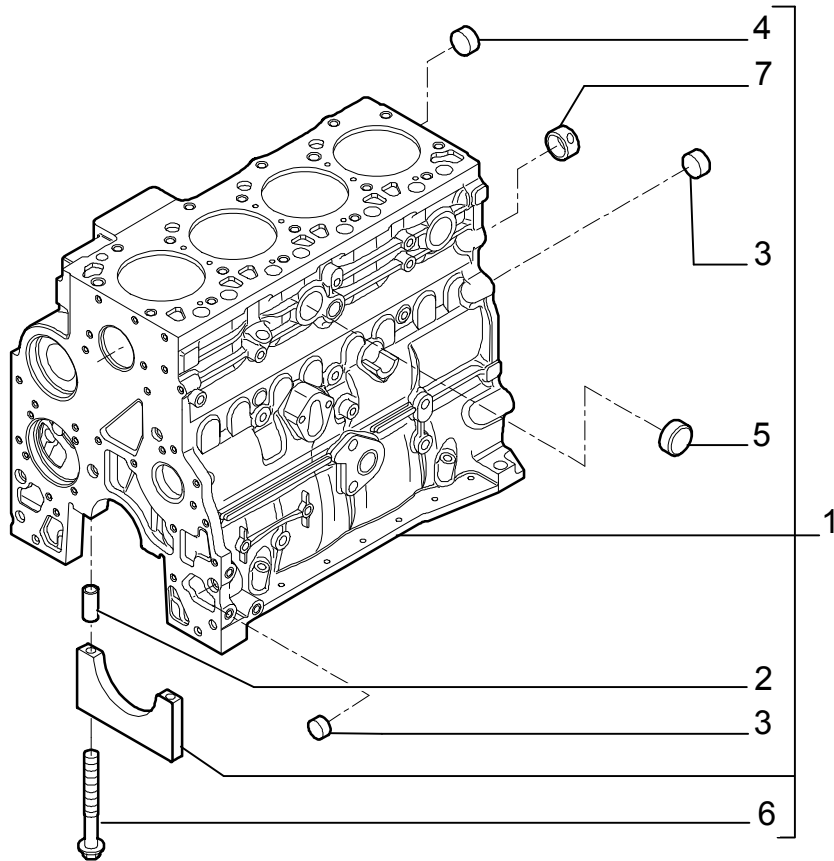
01

p1

12/05

CYLINDER BLOCK
BLOCCO CILINDRI
BLOC CYLINDRES
ZYLINDERBLOCK

1



0.040

01

p1

12/05

BLOQUE DE CILINDROS
 BLOCO DE CILINDRO
 CILINDERBLOK
 CYLINDERBLOK

R	N	P.N.	MOD	Q	Description Denominacion	Descrizione Denominação	Description Beschrijving	Bezeichnung Beskrivelse	L.C.
1		2830082		1	CYLINDER BLOCK, - ASSY BLOQUE DE CILINDROS	BASAMENTO MOTORE BLOCO DE MOTOR	BLOC MOTEUR MOTORBLOK	KURBELGEHAEUSE KRUMTAPHUS	020B
2		4899026		10	DOWEL PITON	GRANO GUIA	PION STEL PEN	ZENTRIERBOLZEN DYVEL	090G
3		4895039		3	PLUG, 17.73 mm OD TAPÓN	TAPPO BUJAO	BOUCHON PLUG	STOPFEN PROP	050T
4		4895038		4	PLUG, 58.06 mm OD TAPÓN	TAPPO BUJAO	BOUCHON PLUG	STOPFEN PROP	050T
5		4895228		2	PLUG, 35.23 mm OD TAPÓN	TAPPO BUJAO	BOUCHON PLUG	STOPFEN PROP	050T
6		4891353		10	SCREW, M12X120 TORNILLO	VITE PARAFUSO	VIS SCHROEF	SCHRAUBE SKRUE	040V
7		4895040		1	BUSHING CASQUILLO	BOCCOLA CASQUILHO	BAGUE LAGERBUS	BUECHSE BOESNING	095B

1

LB95.B

0.040

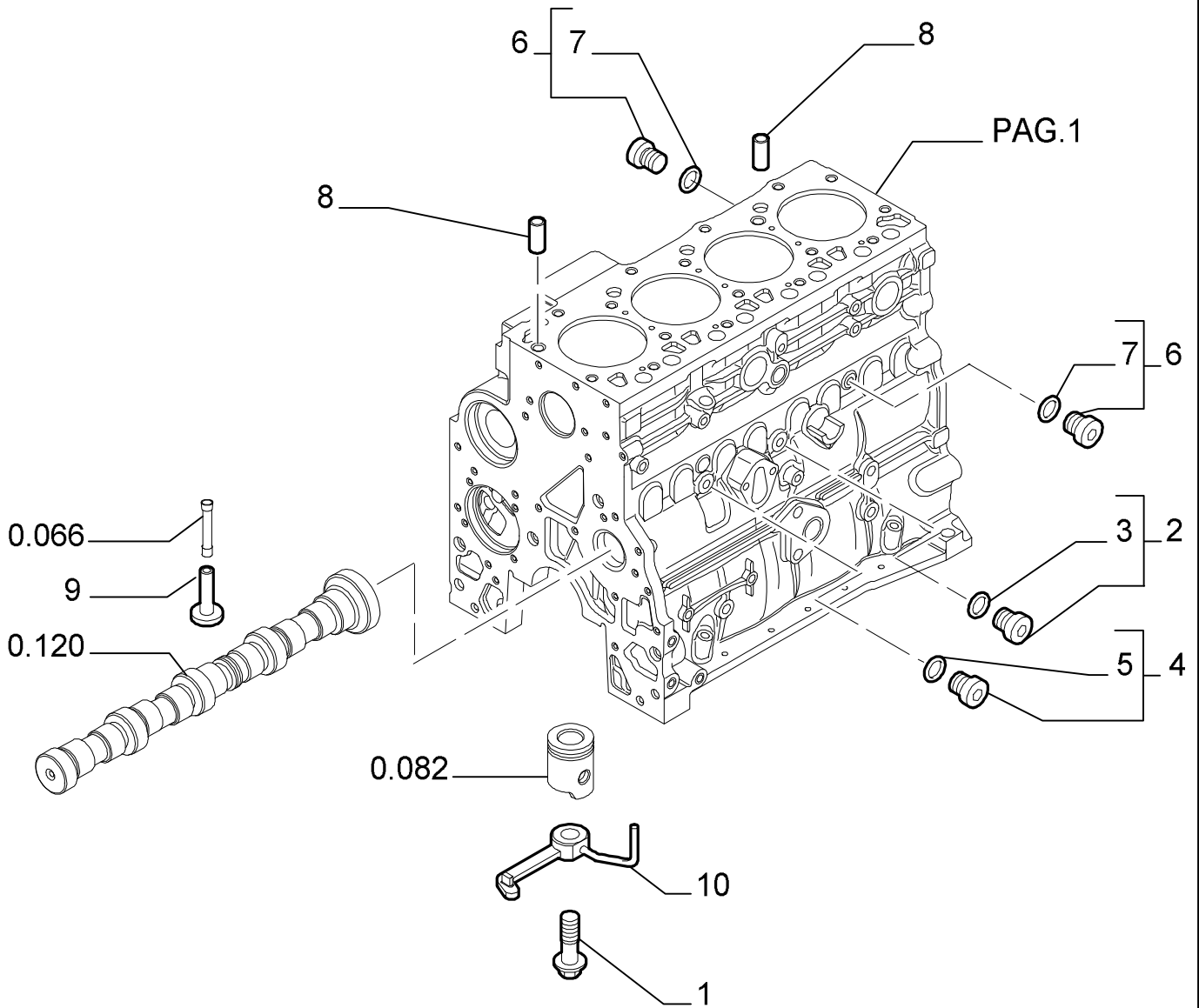
02

p1

12/05

CYLINDER BLOCK
BLOCCO CILINDRI
BLOC CYLINDRES
ZYLINDERBLOCK

1



0.040

02

p1

12/05

BLOQUE DE CILINDROS
 BLOCO DE CILINDRO
 CILINDERBLOK
 CYLINDERBLOK

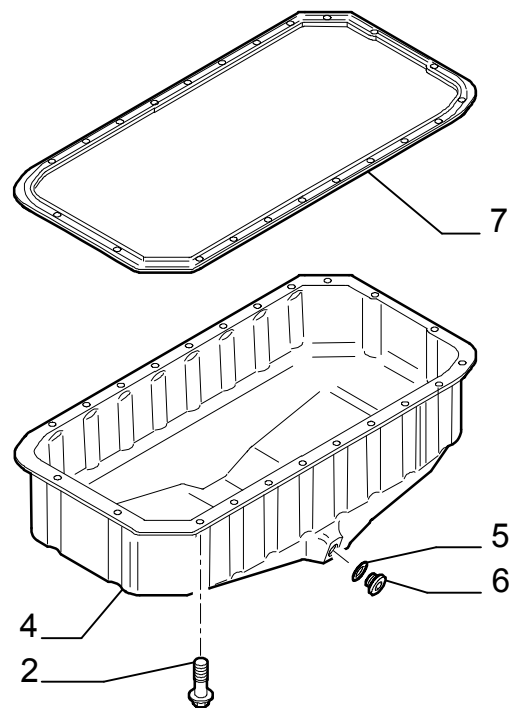
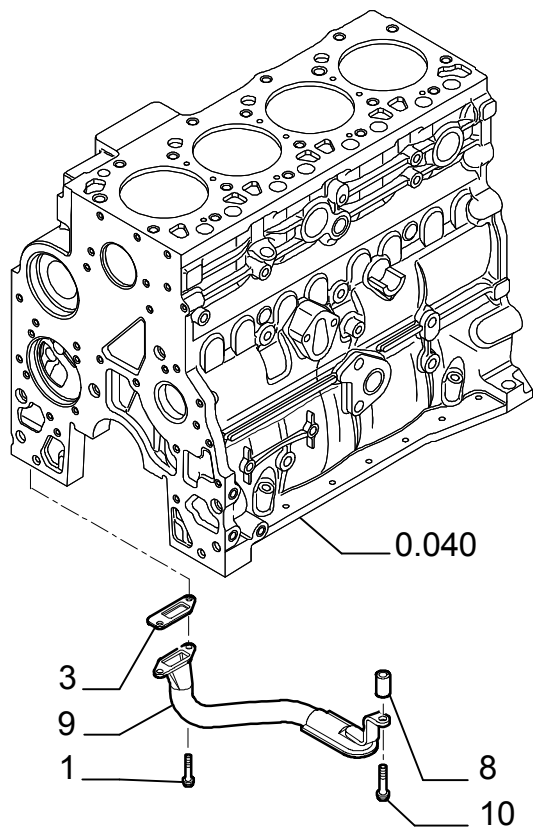
R	N	P.N.	MOD	Q	Description Denominacion	Descrizione Denominação	Description Beschrijving	Bezeichnung Beskrivelse	L.C.
1		4894218		4	SCREW TORNILLO	VITE PARAFUSO	VIS SCHROEF	SCHRAUBE SKRUE	040V
2		4895605		1	PLUG, 14x1.5 - ASSY TAPÓN	TAPPO BUJAO	BOUCHON PLUG	STOPFEN PROP	050T
3		4899115		1	O-RING JUNTA HERMETICA	ANELLO TOROIDALE O-RING	JOINT THORIQUE O-RING	O-RING O-RING	055A
4		4899009		1	PLUG, 10x1.5 - ASSY TAPÓN	TAPPO BUJAO	BOUCHON PLUG	STOPFEN PROP	050T
5		4899072		1	O-RING JUNTA HERMETICA	ANELLO TOROIDALE O-RING	JOINT THORIQUE O-RING	O-RING O-RING	055A
6		4895392		2	PLUG, 18x1.5 - ASSY TAPÓN	TAPPO BUJAO	BOUCHON PLUG	STOPFEN PROP	050T
7		4895393		1	O-RING JUNTA HERMETICA	ANELLO TOROIDALE O-RING	JOINT THORIQUE O-RING	O-RING O-RING	055A
8		4895049		2	DOWEL PITON	GRANO GUIA	PION STEL PEN	ZENTRIERBOLZEN DYVEL	090G
9		4895180		8	TAPPET EMPUJADOR	PUNTERIA IMPULSOR	POUSSOIR LAGER, ROL	STÖSSELEINSTELLSCHF VENTILLOEFTER	240P
10		504047260		4	NOZZLE, LUB. OIL JET TOBERA	UGELLO PULVERIZADOR	GICLEUR VERSTUIVER	DUESE DYSE	020U

1

LB95.B

OIL PUMP, PAN
VASCHETTA DELLA POMPA DELL'OLIO
POMPE À HUILE, CARTER
ÖLPUMPENWANNE

1



0.042

01

p1

12/05

BOMBA DE ACEITE, BANDEJA
 BOMBA DE ÓLEO, RECIPIENTE
 PANOLIEPOMP
 OLIEPUMPE, BUNDKAR

R	N	P.N.	MOD	Q	Description Denominacion	Descricao Denominação	Description Beschrijving	Bezeichnung Beskrivelse	L.C.
1		4899020		2	SCREW, M8X1.25X20 TORNILLO	VITE PARAFUSO	VIS SCHROEF	SCHRAUBE SKRUE	040V
2		4899091		22	SCREW, Hex Flg, M8 x 1.25 x 40, M8X1.25X40	VITE	VIS	SCHRAUBE	040V
					TORNILLO	PARAFUSO	SCHROEF	SKRUE	
2		4895489		2	SCREW, M8X1.25X110 TORNILLO	VITE PARAFUSO	VIS SCHROEF	SCHRAUBE SKRUE	040V
3		4898301		1	GASKET JUNTA HERMETICA	GUARNIZIONE JUNTA	JOINT DICHTINGSSTUK	DICHTUNG, FLACH PAKNING	123G
4		504043550		1	PAN, ENGINE OIL CARTER DE ACEITE	COPPA OLIO CARTER DE OLEO	CARTER D'HUILE OLIECARTER	MOTORÖLWANNE BUNDKAR	274C
5		17282280		1	GASKET, 23,4X2,6 JUNTA HERMETICA	GUARNIZIONE JUNTA	JOINT DICHTINGSSTUK	DICHTUNG, FLACH PAKNING	123G
6		4894139		1	PLUG, 22X1.5 TAPÓN	TAPPO BUJAO	BOUCHON PLUG	STOPFEN PROP	050T
7		504069777		1	GASKET JUNTA HERMETICA	GUARNIZIONE JUNTA	JOINT DICHTINGSSTUK	DICHTUNG, FLACH PAKNING	123G
8		504062812		1	SPACER SEPARADOR	DISTANZIALE ESPACADOR	ENTRETOISE AFSTANDSRING	DISTANZSTÜCK AFSTANDSSTYKKE	075D
9		504042165		1	STRAINER, ELEMENT TAMIZ DE ALCACHOFA	ELEMENTO FILTRANTE TAMIZ DE ALCACHOFA	TAMIS DE CRÉPINE STRAINER, ELEMENT	SIEBEINSATZ ELEMENTSI	8600
10		4895538		1	SCREW, M10X1.5X120 TORNILLO	VITE PARAFUSO	VIS SCHROEF	SCHRAUBE SKRUE	040V

LB95.B

1

0.043

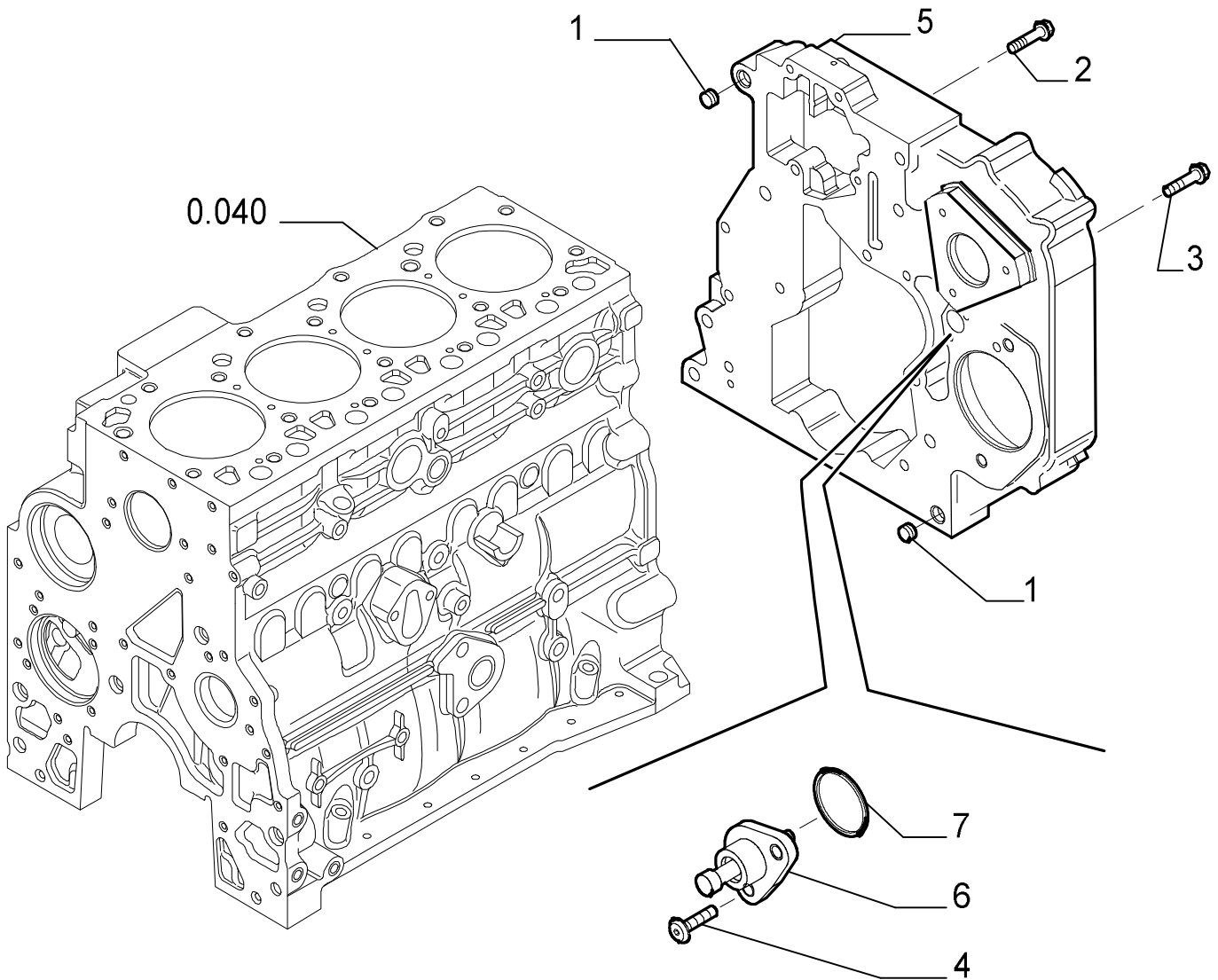
01

p1

12/05

CYLINDER BLOCK - COVERS
BLOCCO CILINDRI - COPERCHI
BLOC CYLINDRES - COUVERCLES
ZYLINDERBLOCK - DECKEL

1



BLOQUE DE CILINDROS - CUBIERTAS
 BLOCO DE CILINDRO - COBERTURAS
 CILINDERBLOK - DEKSELS
 CYLINDERBLOK - DÆKSLER

R	N	P.N.	MOD	Q	Description Denominacion	Descrizione Denominação	Description Beschrijving	Bezeichnung Beskrivelse	L.C.
1		4899026		2	DOWEL PITON	GRANO GUIA	PION STEL PEN	ZENTRIERBOLZEN DYVEL	090G
2		4899091		4	SCREW, Hex Flg, M8 x 1.25 x 40, M8X1.25X40	VITE	VIS	SCHRAUBE	040V
3		4899093		5	SCREW, Hex Flg, M10 x 1.5 x 30, M10X1.5X30	PARAFUSO	SCHROEF	SKRUE	
3		4899073		2	SCREW, Hex Flg, M12 x 1.75 x 30, M12X1.75X30	VITE	VIS	SCHRAUBE	040V
4		4895355		2	SCREW, M5X0.8X17	PARAFUSO	SCHROEF	SKRUE	040V
5		{504097164}		1	TORNILLO	PARAFUSO	SCHROEF	SKRUE	
6		504074001		1	COVER TAPADERA	COPERCHIO COBERTA	COUVERCLE DEKSEL	ABDECKUNG DÆKSEL	265C
7		17278780		1	O-RING JUNTA HERMETICA	ANELLO TOROIDALE O-RING	JOINT THORIQUE O-RING	O-RING O-RING	055A

LB95.B

0.043

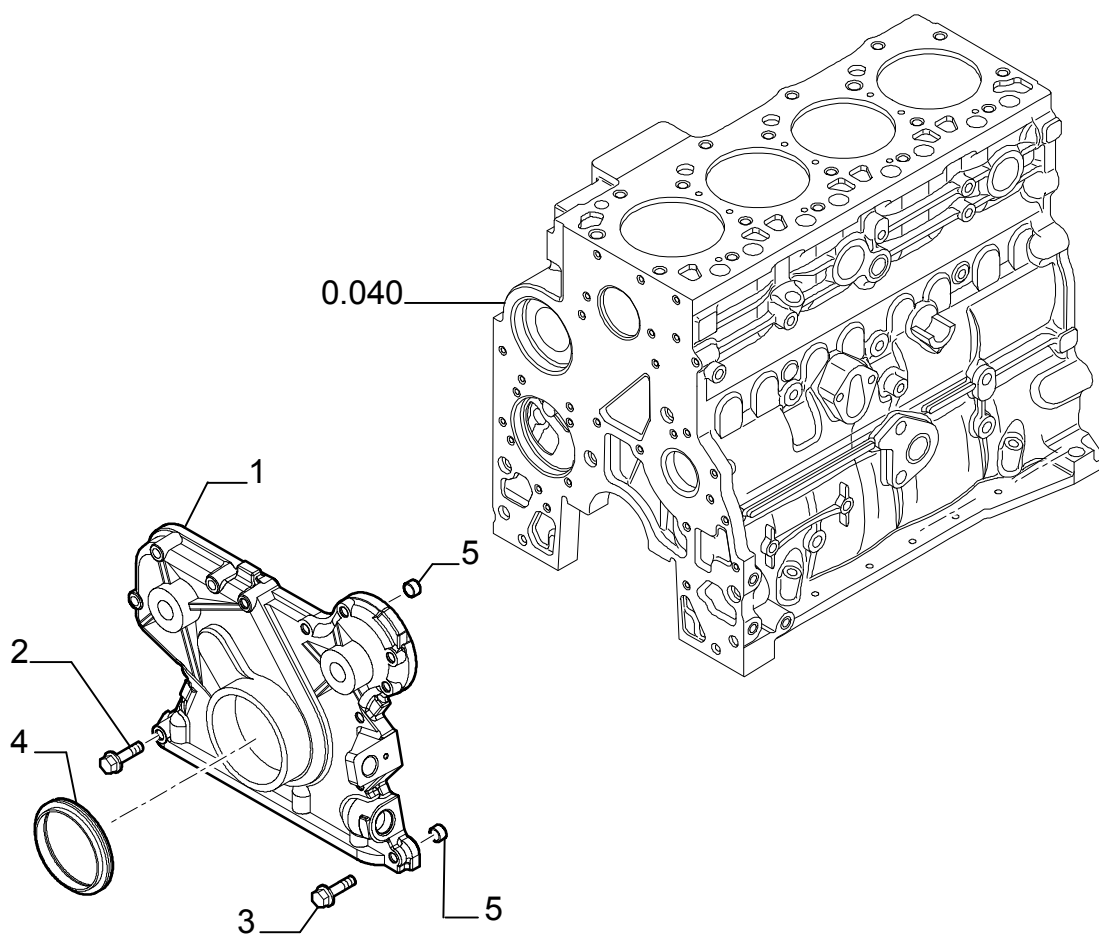
02

p1

02/06

CYLINDER BLOCK - COVERS
BLOCCO CILINDRI - COPERCHI
BLOC CYLINDRES - COUVERCLES
ZYLINDERBLOCK - DECKEL

1



BLOQUE DE CILINDROS - CUBIERTAS
 BLOCO DE CILINDRO - COBERTURAS
 CILINDERBLOK - DEKSELS
 CYLINDERBLOK - DÆKSLER

R	N	P.N.	MOD	Q	Description Denominacion	Descrizione Denominação	Description Beschrijving	Bezeichnung Beskrivelse	L.C.
1		4897024		1	COVER TAPADERA	COPERCHIO COBERTA	COUVERCLE DEKSEL	ABDECKUNG DÆKSEL	265C
2		4899078		5	SCREW, Hex Flg, M8 x 1.25 x 45, M8X1.25X45	VITE	VIS	SCHRAUBE	040V
3		4899063		8	SCREW, Hex Flg, M8 x 1.25 x 30	PARAFUSO	SCHROEF	SKRUE	
4		4890832		1	TORNILLO GASKET JUNTA HERMETICA	PARAFUSO GUARNIZIONE JUNTA	VIS SCHROEF JOINT DICHTINGSSTUK	SCHRAUBE SKRUE DICHTUNG, FLACH PAKNING	040V 123G
5		4891209		2	DOWEL PITON	GRANO GUIA	PION STEL PEN	ZENTRIERBOLZEN DYVEL	090G

LB95.B

0.043

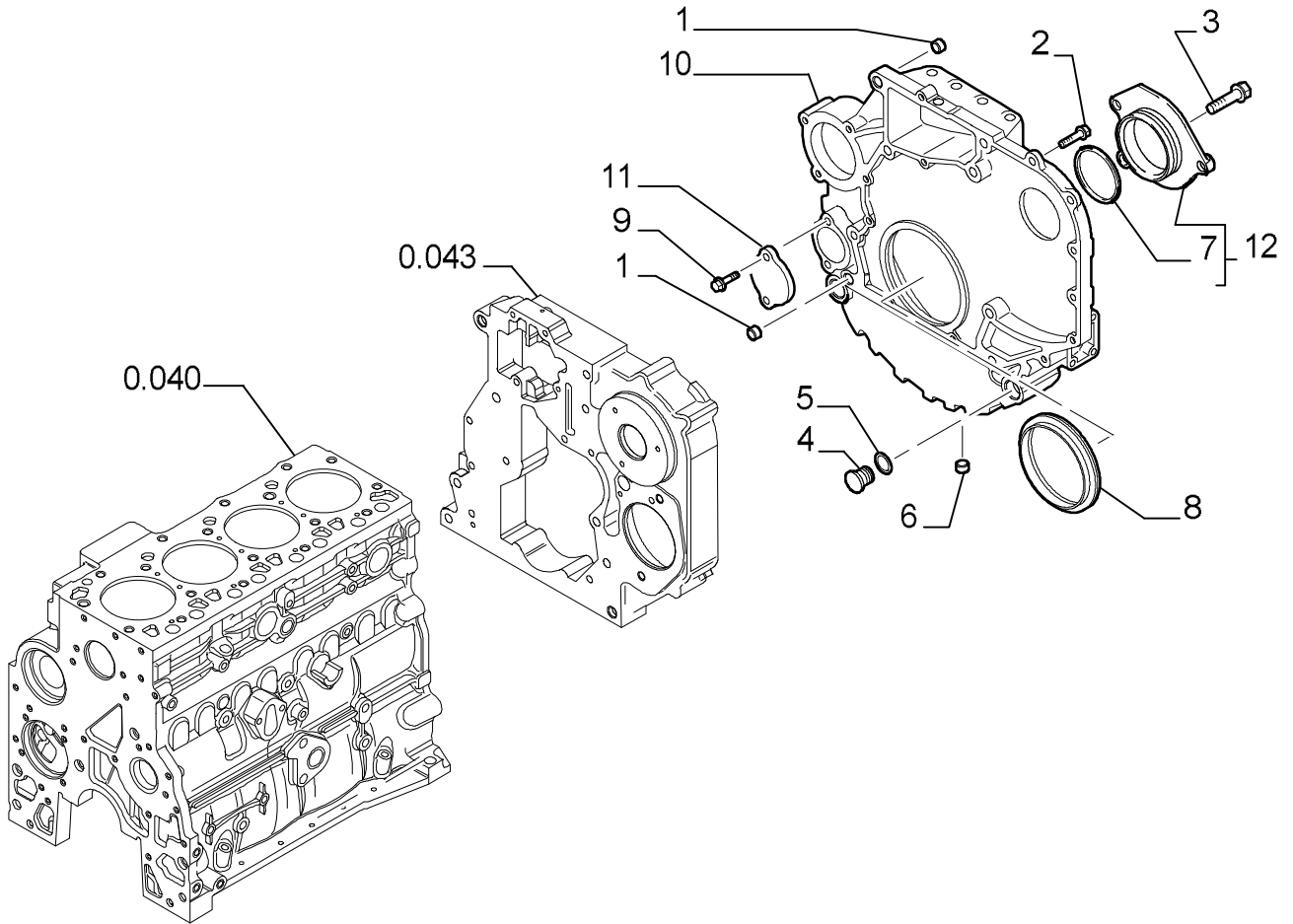
03

p1

12/05

CYLINDER BLOCK - COVERS
BLOCCO CILINDRI - COPERCHI
BLOC CYLINDRES - COUVERCLES
ZYLINDERBLOCK - DECKEL

1



BLOQUE DE CILINDROS - CUBIERTAS
BLOCO DE CILINDRO - COBERTURAS
CILINDERBLOK - DEKSELS
CYLINDERBLOK - DÆKSLER

R	N	P.N.	MOD	Q	Description Denominacion	Descrizione Denominação	Description Beschrijving	Bezeichnung Beskrivelse	L.C.
1		4899026		2	DOWEL PITON	GRANO GUIA	PION STEL PEN	ZENTRIERBOLZEN DYVEL	090G
2		4899109		3	SCREW, Hex, M10 x 1.5 x 80, M10X1.5X80	VITE	VIS	SCHRAUBE	040V
2		4892915		8	TORNILLO SCREW, M10X1.5X40	PARAFUSO VITE	SCHROEF VIS	SKRUE SCHRAUBE	040V
2		4899076		5	TORNILLO SCREW, Hex Flg, M12 x 1.75 x 80, M12X80	PARAFUSO VITE	SCHROEF VIS	SKRUE SCHRAUBE	040V
2		4899074		2	TORNILLO SCREW, Hex Flg, M12 x 1.75 x 120, M12X1,75X120	PARAFUSO VITE	SCHROEF VIS	SKRUE SCHRAUBE	040V
2		2852865		2	TORNILLO SCREW, M10X35	PARAFUSO VITE	SCHROEF VIS	SKRUE SCHRAUBE	040V
2		4899143		1	TORNILLO SCREW, Hex Flg, M10 x 1.5 x 140, M10X1,5X140	PARAFUSO VITE	SCHROEF VIS	SKRUE SCHRAUBE	040V
3		4899020		3	SCREW, M8X20	VITE	VIS	SCHRAUBE	040V
4		4895378		2	TORNILLO PLUG TAPÓN	PARAFUSO TAPPO BUJAO	SCHROEF BOUCHON PLUG	SKRUE STOPFEN PROP	050T
5		4895379		2	O-RING, M21.82 ID x 3.53 Thk	ANELLO TOROIDALE	JOINT THORIQUE	O-RING	055A
6		4899079		1	JUNTA HERMETICA SCREW, Hex Flg, M8 x 1.25 x 25	O-RING VITE	O-RING VIS	O-RING SCHRAUBE	040V
7		17285481		1	TORNILLO GASKET, 75X87X2,62	PARAFUSO GUARNIZIONE	SCHROEF JOINT	SKRUE DICHTUNG, FLACH	123G
8		4890833		1	JUNTA HERMETICA GASKET	JUNTA GUARNIZIONE	DICHTINGSSTUK JOINT	PAKNING DICHTUNG, FLACH	123G
9		4899068		2	JUNTA HERMETICA SCREW, Hex, M8 x 1.25 x 16, M8X1,25X16	JUNTA VITE	DICHTINGSSTUK VIS	PAKNING SCHRAUBE	040V
10		504069775		1	TORNILLO COVER TAPADERA	PARAFUSO COPERCHIO COBERTA	SCHROEF COUVERCLE DEKSEL	SKRUE ABDECKUNG DÆKSEL	265C
11		4895155		1	TORNILLO COVER TAPADERA	PARAFUSO COPERCHIO COBERTA	SCHROEF COUVERCLE DEKSEL	SKRUE ABDECKUNG DÆKSEL	265C
12		2854073		1	COVER, - ASSY TAPADERA	COPERCHIO COBERTA	COUVERCLE DEKSEL	ABDECKUNG DÆKSEL	265C

LB95.B

0.045

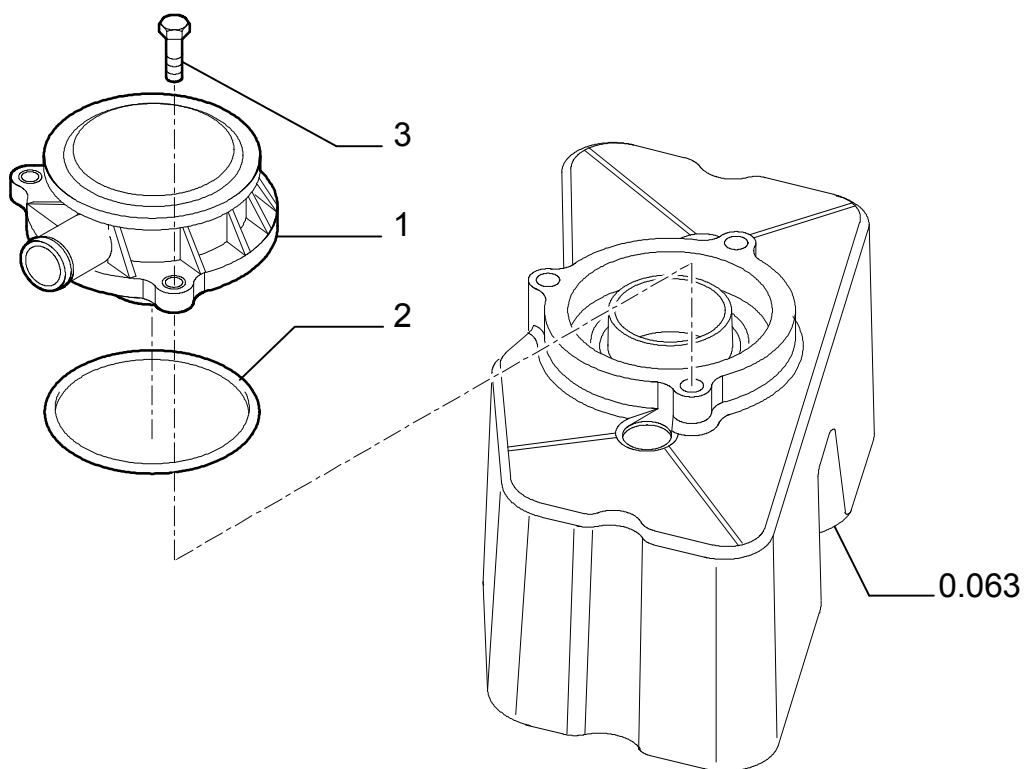
01

p1

02/06

BREATHER - ENGINE
SFIATATOIO - MOTORE
RENIFLARD - MOTEUR
ENTLÜFTER - MOTOR

1





Suggest:

If the above button click is invalid.

Please download this document

first, and then click the above link

to download the complete manual.

Thank you so much for reading

0.045

01

p1

02/06

RESPIRADERO - MOTOR
 RESPIRO - MOTOR
 ONTLUCHTER - MOTOR
 UDLUFTER - MOTOR

R	N	P.N.	MOD	Q	Description Denominacion	Descrizione Denominação	Description Beschrijving	Bezeichnung Beskrivelse	L.C.
1		500315794		1	BREATHER RESPIRADERO	SFIATATOIO RESPIRADOR	RENIFLARD ONTLUCHTER	ENTLÜFTER UDLUFTNINGSSKRUE	145S
2		500315795		1	GASKET JUNTA HERMETICA	GUARNIZIONE JUNTA	JOINT DICHTINGSSTUK	DICHTUNG, FLACH PAKNING	123G
3		4899110		3	SCREW, Hex Flg, M6 x 1 x 20 TORNILLO	VITE PARAFUSO	VIS SCHROEF	SCHRAUBE SKRUE	040V

1

LB95.B

<https://www.ebooklibonline.com>

Hello dear friend!

Thank you very much for reading.

Enter the link into your browser.

The full manual is available for immediate download.

<https://www.ebooklibonline.com>