

AXIAL-FLOW[®] 7240
AXIAL-FLOW[®] 8240
AXIAL-FLOW[®] 9240
Tier 2
Combine

SERVICE MANUAL

Part number 47800120
1st edition English
December 2014
Copyright © 2014 CNH America LLC. All Rights Reserved.



Link Product / Engine

Product	Market Product	Engine
AXIAL-FLOW® 8240 Tier 2 engine, for INT and LAR markets	Latin America	F3HFA613A*E001
AXIAL-FLOW® 8240 Tier 2 engine, for INT and LAR markets	Asia Pacific	F3HFA613A*E001
AXIAL-FLOW® 8240 Tier 2 engine, for INT and LAR markets	Middle East Africa	F3HFA613A*E001
AXIAL-FLOW® 8240 Tier 2 engine, for INT and LAR markets	Australia New Zealand	F3HFA613A*E001
AXIAL-FLOW® 9240 Tier 2 engine, for INT and LAR markets	Latin America	F3JFA613D*E001
AXIAL-FLOW® 9240 Tier 2 engine, for INT and LAR markets	Asia Pacific	F3JFA613D*E001
AXIAL-FLOW® 9240 Tier 2 engine, for INT and LAR markets	Australia New Zealand	F3JFA613D*E001
AXIAL-FLOW® 9240 Tier 2 engine, for INT and LAR markets	Middle East Africa	F3JFA613D*E001

Contents

INTRODUCTION

Engine	10
[10.001] Engine and crankcase	10.1
[10.202] Air cleaners and lines	10.2
[10.210] Lift pump and lines	10.3
[10.216] Fuel tanks	10.4
[10.254] Intake and exhaust manifolds and muffler	10.5
[10.310] Aftercooler.....	10.6
[10.400] Engine cooling system	10.7
[10.414] Fan and drive	10.8
[10.418] Rotary screen	10.9
[10.419] Stationary air screen	10.10
[10.450] Engine air compressor	10.11
[10.500] Selective Catalytic Reduction (SCR) exhaust treatment.....	10.12
Main gearbox and drive	14
[14.100] Main gearbox and drive	14.1
Transmission	21
[21.100] Mechanical transmission lubrication system	21.1
[21.114] Mechanical transmission	21.2
[21.130] Mechanical transmission external controls.....	21.3
[21.145] Gearbox internal components.....	21.4
[21.182] Differential.....	21.5
Front axle system	25
[25.100] Powered front axle	25.1
[25.108] Final drive hub, steering knuckles, and shafts	25.2
[25.310] Final drives	25.3

<https://www.ebooklibonline.com>

Hello dear friend!

Thank you very much for reading.

Enter the link into your browser.

The full manual is available for immediate download.

<https://www.ebooklibonline.com>

Rear axle system	27
[27.100] Powered rear axle.....	27.1
[27.124] Final drive hub, steering knuckles, and shafts	27.2
[27.550] Non-powered rear axle.....	27.3
Hydrostatic drive	29
[29.100] Transmission and steering hydrostatic control	29.1
[29.202] Hydrostatic transmission	29.2
[29.218] Pump and motor components.....	29.3
[29.300] Rear hydrostatic transmission.....	29.4
Brakes and controls	33
[33.110] Parking brake or parking lock	33.1
[33.202] Hydraulic service brakes	33.2
Hydraulic systems	35
[35.000] Hydraulic systems.....	35.1
[35.102] Pump control valves.....	35.2
[35.106] Variable displacement pump	35.3
[35.220] Auxiliary hydraulic pump and lines	35.4
[35.300] Reservoir, cooler, and filters.....	35.5
[35.350] Safety and main relief valves	35.6
[35.359] Main control valve.....	35.7
[35.440] Grain tank unload system	35.8
[35.518] Reel control system	35.9
[35.536] Crop processor system	35.10
[35.752] Hydraulic fan drive cooling system.....	35.11
Steering	41
[41.101] Steering control	41.1
[41.200] Hydraulic control components.....	41.2
[41.216] Cylinders	41.3

[41.432] Autoguidance steering	41.4
Wheels	44
[44.511] Front wheels	44.1
Tracks and track suspension	48
[48.100] Tracks	48.1
[48.130] Track frame and driving wheels	48.2
[48.134] Track tension units	48.3
[48.138] Track rollers	48.4
Cab climate control	50
[50.100] Heating	50.1
[50.104] Ventilation	50.2
[50.200] Air conditioning	50.3
Electrical systems	55
[55.000] Electrical system	55.1
[55.050] Heating, Ventilation, and Air-Conditioning (HVAC) control system	55.2
[55.100] Harnesses and connectors	55.3
[55.201] Engine starting system	55.4
[55.421] Feeding control system	55.5
[55.426] Harvest material flow control system	55.6
[55.628] Threshing electrical control	55.7
[55.780] Shaker shoe leveling system control	55.8
[55.988] Selective Catalytic Reduction (SCR) electrical system	55.9
[55.DTC] FAULT CODES	55.10
Product feeding	60
[60.105] Floating roll, feed chain, and drive	60.1
[60.110] Feeder housing	60.2
[60.112] Stone trapping system	60.3
[60.150] Feeder drive system	60.4

Threshing	66
[66.000] Threshing	66.1
[66.101] Concave conveyor plate	66.2
[66.110] Concave control system.....	66.3
[66.260] Threshing mechanism drive system	66.4
[66.331] Rotor	66.5
Separation	72
[72.430] Separator grates	72.1
Residue handling.....	73
[73.210] Straw chopper drive system.....	73.1
[73.215] Straw chopper electro-magnetic clutch support.....	73.2
[73.230] Straw chopper.....	73.3
[73.430] Straw spreader	73.4
Crop storage / Unloading	80
[80.101] Clean grain elevator.....	80.1
[80.150] Grain tank	80.2
[80.175] Grain tank unload drive system	80.3
[80.180] Grain tank unload	80.4
Platform, cab, bodywork, and decals.....	90
[90.100] Engine hood and panels	90.1
[90.105] Machine shields and guards	90.2
[90.150] Cab.....	90.3



INTRODUCTION

Safety rules

AXIAL-FLOW® 40 Series

ANZ --- APAC --- LA --- MEA


Personal safety





This is the safety alert symbol. It is used to alert you to potential personal injury hazards. Obey all safety messages that follow this symbol to avoid possible death or injury.

Throughout this manual you will find the signal words DANGER, WARNING, and CAUTION followed by special instructions. These precautions are intended for the personal safety of you and those working with you.

Read and understand all the safety messages in this manual before you operate or service the machine.

 DANGER indicates a hazardous situation that, if not avoided, will result in death or serious injury.

 WARNING indicates a hazardous situation that, if not avoided, could result in death or serious injury.

 CAUTION indicates a hazardous situation that, if not avoided, could result in minor or moderate injury.

FAILURE TO FOLLOW DANGER, WARNING, AND CAUTION MESSAGES COULD RESULT IN DEATH OR SERIOUS INJURY.

Machine safety

NOTICE: Notice indicates a situation that, if not avoided, could result in machine or property damage.

Throughout this manual you will find the signal word Notice followed by special instructions to prevent machine or property damage. The word Notice is used to address practices not related to personal safety.

Information

NOTE: Note indicates additional information that clarifies steps, procedures, or other information in this manual.

Throughout this manual you will find the word Note followed by additional information about a step, procedure, or other information in the manual. The word Note is not intended to address personal safety or property damage.

Personal safety

AXIAL-FLOW® 40 Series

ANZ --- APAC --- LA --- MEA

⚠ WARNING

Risk of harm during maintenance of the machine!

Before you start servicing the machine, attach a DO NOT OPERATE warning tag to the machine in a visible area.

Failure to comply could result in death or serious injury.

W1242A

Attach a DO NOT OPERATE (TAG) to the machine in an area that is clearly visible whenever the machine is not operating properly and/or requires service.

Complete the tag information for the "REASON" the tag is attached by describing the malfunction or service required.

Validate the reason for attaching the tag by signing your name in the designated area on the tag.

The tag should only be removed by the person who signed and attached the tag, after validating the repairs or services have been completed.

Safety rules - Ecology and the environment

AXIAL-FLOW® 7240	ANZ --- APAC --- LA --- MEA
AXIAL-FLOW® 8240	ANZ --- APAC --- LA --- MEA
AXIAL-FLOW® 9240	ANZ --- APAC --- LA --- MEA

Soil, air, and water quality is important for all industries and life in general. When legislation does not yet rule the treatment of some of the substances that advanced technology requires, sound judgment should govern the use and disposal of products of a chemical and petrochemical nature.

Familiarize yourself with the relative legislation applicable to your country, and make sure that you understand this legislation. Where no legislation exists, obtain information from suppliers of oils, filters, batteries, fuels, anti-freeze, cleaning agents, etc., with regard to the effect of these substances on man and nature and how to safely store, use, and dispose of these substances.

Helpful hints

- Avoid the use of cans or other inappropriate pressurized fuel delivery systems to fill tanks. Such delivery systems may cause considerable spillage.
- In general, avoid skin contact with all fuels, oils, acids, solvents, etc. Most of these products contain substances that may be harmful to your health.
- Modern oils contain additives. Do not burn contaminated fuels and or waste oils in ordinary heating systems.
- Avoid spillage when you drain fluids such as used engine coolant mixtures, engine oil, hydraulic fluid, brake fluid, etc. Do not mix drained brake fluids or fuels with lubricants. Store all drained fluids safely until you can dispose of the fluids in a proper way that complies with all local legislation and available resources.
- Do not allow coolant mixtures to get into the soil. Collect and dispose of coolant mixtures properly.
- The air-conditioning system contains gases that should not be released into the atmosphere. Consult an air-conditioning specialist or use a special extractor to recharge the system properly.
- Repair any leaks or defects in the engine cooling system or hydraulic system immediately.
- Do not increase the pressure in a pressurized circuit as this may lead to a component failure.
- Protect hoses during welding. Penetrating weld splatter may burn a hole or weaken hoses, allowing the loss of oils, coolant, etc.

Battery recycling

Batteries and electric accumulators contain several substances that can have a harmful effect on the environment if the batteries are not properly recycled after use. Improper disposal of batteries can contaminate the soil, groundwater, and waterways. CASE IH strongly recommends that you return all used batteries to a CASE IH dealer, who will dispose of the used batteries or recycle the used batteries properly. In some countries, this is a legal requirement.



Mandatory battery recycling

NOTE: The following requirements are mandatory in Brazil.

Batteries are made of lead plates and a sulfuric acid solution. Because batteries contain heavy metals such as lead, CONAMA Resolution 401/2008 requires you to return all used batteries to the battery dealer when you replace any batteries. Do not dispose of batteries in your household garbage.

Points of sale are obliged to:

- Accept the return of your used batteries
- Store the returned batteries in a suitable location
- Send the returned batteries to the battery manufacturer for recycling



SERVICE MANUAL

Engine

AXIAL-FLOW® 7240 Tier 2 engine

AXIAL-FLOW® 8240 Tier 2 engine

AXIAL-FLOW® 9240 Tier 2 engine

Engine - Service instruction Engine Service Information

AXIAL-FLOW® 7240	ANZ --- APAC --- LA --- MEA
AXIAL-FLOW® 8240	ANZ --- APAC --- LA --- MEA
AXIAL-FLOW® 9240	ANZ --- APAC --- LA --- MEA

NOTICE: This Service Manual does not contain information concerning the service procedures for the following engines: 9 Liter, 10.3 Liter and 13 Liter.

Service Manuals for these engines may be purchased through your normal ordering process.

Engine - Remove

AXIAL-FLOW® 7240
AXIAL-FLOW® 8240

ANZ --- APAC --- LA --- MEA
ANZ --- APAC --- LA --- MEA

⚠ WARNING

Avoid injury! Always do the following before lubricating, maintaining, or servicing the machine.

1. Disengage all drives.
2. Engage parking brake.
3. Lower all attachments to the ground, or raise and engage all safety locks.
4. Shut off engine.
5. Remove key from key switch.
6. Switch off battery key, if installed.
7. Wait for all machine movement to stop.

Failure to comply could result in death or serious injury.

W0047A

⚠ WARNING

Heavy objects!

Lift and handle all heavy components using lifting equipment with adequate capacity. Always support units or parts with suitable slings or hooks. Make sure the work area is clear of all bystanders.

Failure to comply could result in death or serious injury.

W0398A

Prior operation:

Engine hood - Remove (90.105)

Prior operation:

Central wiring harness - Remove (55.100)

Prior operation:

Fan and drive - Remove (10.414)

Prior operation:

Air conditioning - Service instruction (50.200)

Prior operation:

Air intake system - Remove (10.202)

Prior operation:

Fuel supply lines Low pressure - Remove from the engine (10.210)

Prior operation:

Fuel return lines - Remove from the engine (10.210)

Prior operation:

Exhaust muffler - Remove mixer tube (10.254)

Prior operation:

Exhaust muffler - Remove exhaust tube from turbo charger to Diesel Oxidation Catalyst (DOC) (10.254)

Prior operation:

Aftercooler air supply and return lines - Remove air supply tube (10.310)

Prior operation:

Aftercooler air supply and return lines - Remove air return tube (10.310)

Prior operation:

Engine cooling system - Drain fluid (10.400)

Prior operation:

Radiator hoses - Remove (10.400)

Prior operation:

Deaeration tank - Remove (10.400)

Prior operation:

Selective Catalytic Reduction (SCR) exhaust treatment - Remove DEF hose bundle (10.500)

Prior operation:

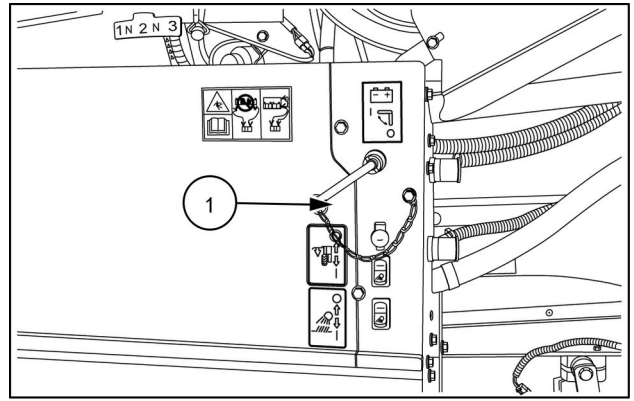
Selective Catalytic Reduction (SCR) muffler and catalyst - Remove (10.500)

Prior operation:

Diesel Oxidation Catalyst (DOC) - Remove (10.500)

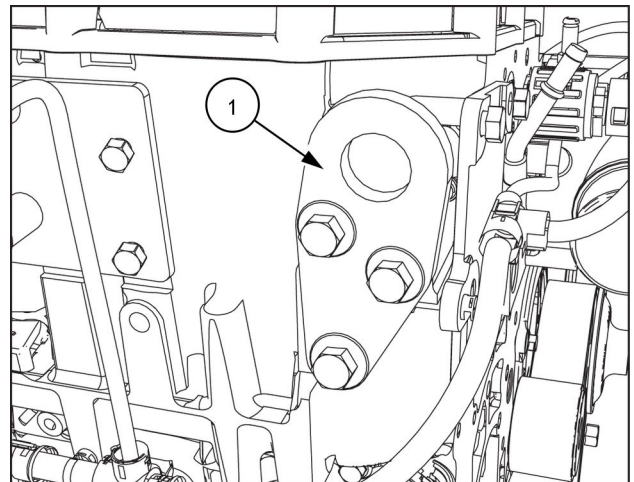
NOTE: Illustrations are for reference only. It may not be the actual engine.

1. Disengage the battery connect switch (1).



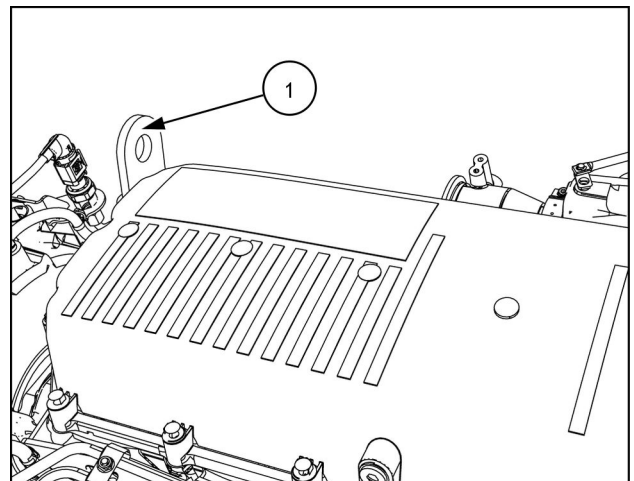
NHIL13AF00586AA 1

2. Attach a suitable lift chain to the front lift eye (1) at the front of the engine.



NHIL14AF00431AA 2

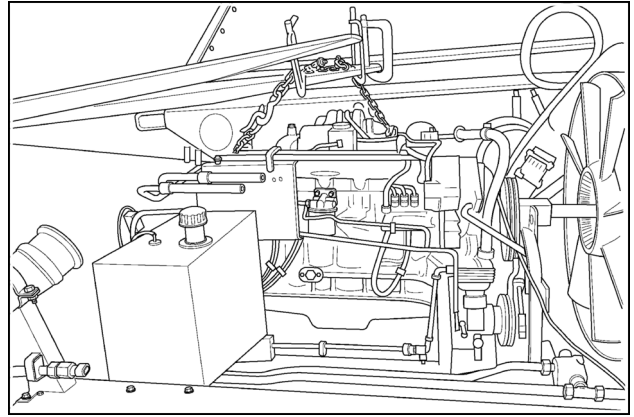
3. Attach a suitable lift chain to the back lift eye (1) at the rear of the engine.



NHIL14AF00432AA 3

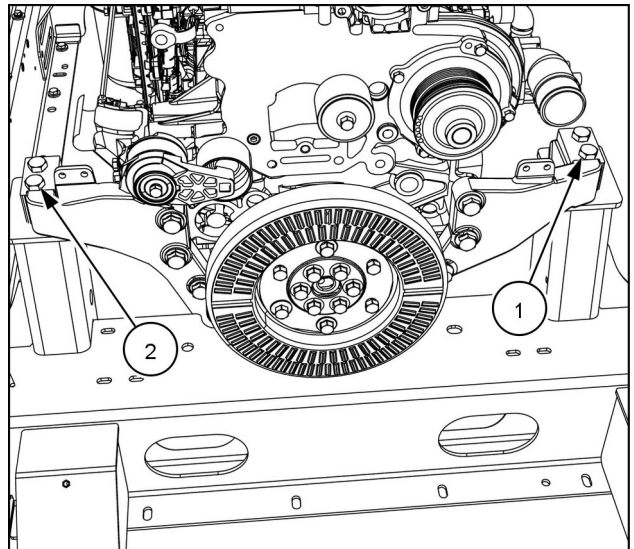
4. Connect the lift chain to a suitable lifting device.
5. Raise the lifting device enough to support the engine during removal of the engine mounting bolts.

NOTE: The lifting device should be rated for at least **907.2 kg (2000 lb)**. Allow enough clearance to lift the engine from the combine, approximately **7.0 m (23 ft)** from the floor.



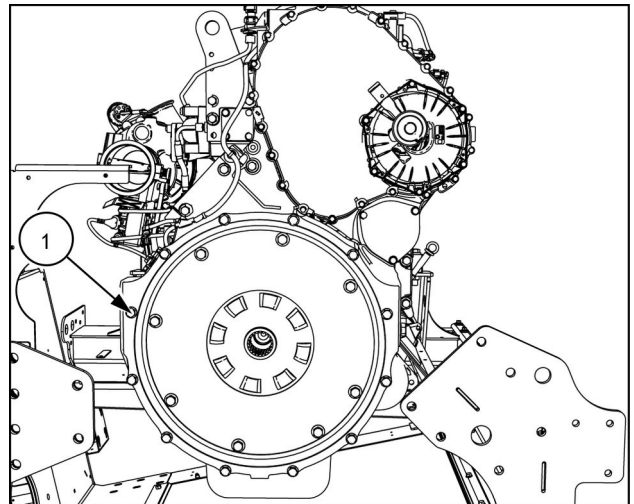
10013136 4

6. From the grain tank side of the engine, loosen the front, engine mounting bolts (1). Do not remove the mounting bolts at this time.
7. From the platform side, loosen the front, engine mounting bolts (2). Do not remove the mounting bolts at this time.



NHIL14AF01001AA 5

8. From the rear of the engine, loosen but do not remove all the bolts and washers (1) that couple the engine to the gearbox. There are twelve bolts and washers in total.
9. For safety reasons to the radiators, place a sheet of plywood, cut to size, in front of the cooler box for protection.
10. With the engine securely supported by the lifting device, remove all of the engine mounting bolts and the engine to the gearbox coupling bolts that were loosened in the previous steps.
11. Slide the engine towards the cooler box to disengage the flex plate from the gearbox input shaft.
12. Carefully lift the engine from the frame and remove from the combine.



NHIL14AF01004AA 6

Next operation:
Engine - Install (10.001).

Engine - Install

AXIAL-FLOW® 7240
AXIAL-FLOW® 8240

ANZ --- APAC --- LA --- MEA
ANZ --- APAC --- LA --- MEA

⚠ WARNING

Avoid injury! Always do the following before lubricating, maintaining, or servicing the machine.

1. Disengage all drives.
2. Engage parking brake.
3. Lower all attachments to the ground, or raise and engage all safety locks.
4. Shut off engine.
5. Remove key from key switch.
6. Switch off battery key, if installed.
7. Wait for all machine movement to stop.

Failure to comply could result in death or serious injury.

W0047A

⚠ WARNING

Heavy objects!

Lift and handle all heavy components using lifting equipment with adequate capacity. Always support units or parts with suitable slings or hooks. Make sure the work area is clear of all bystanders.

Failure to comply could result in death or serious injury.

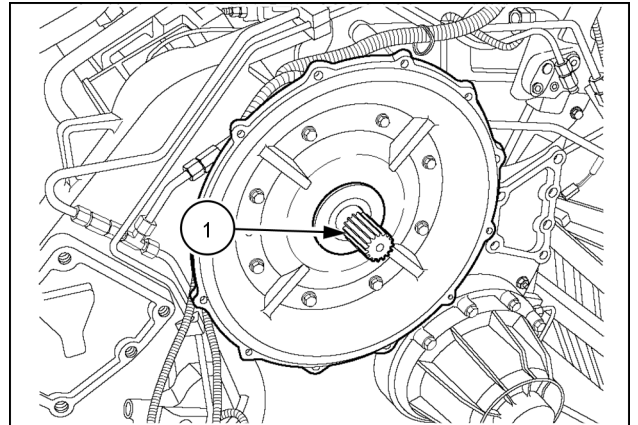
W0398A

Prior operation:

Engine - Remove (10.001)

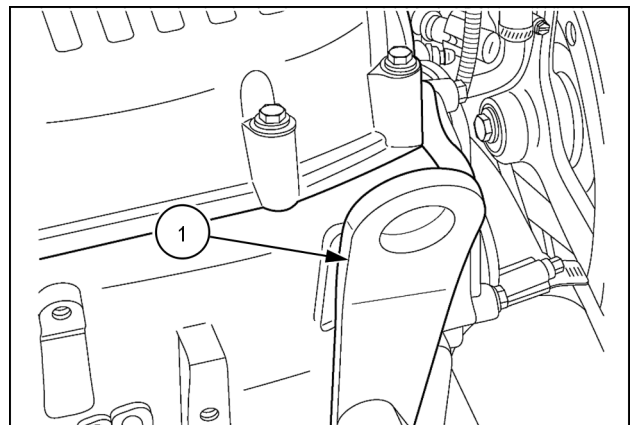
NOTE: Illustrations are for reference only. It may not be the actual engine.

1. Before installing the engine, apply **LOCTITE® SILVER GRADE ANTI-SEIZE** to the input shaft (1) of the gearbox.



83070284 1

2. Attach a suitable chain to the front lift eye (1) at the front of the engine.



86070259 2



Suggest:

If the above button click is invalid.

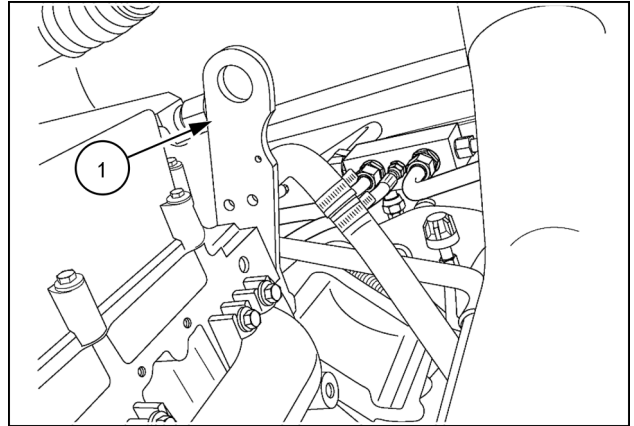
Please download this document

first, and then click the above link

to download the complete manual.

Thank you so much for reading

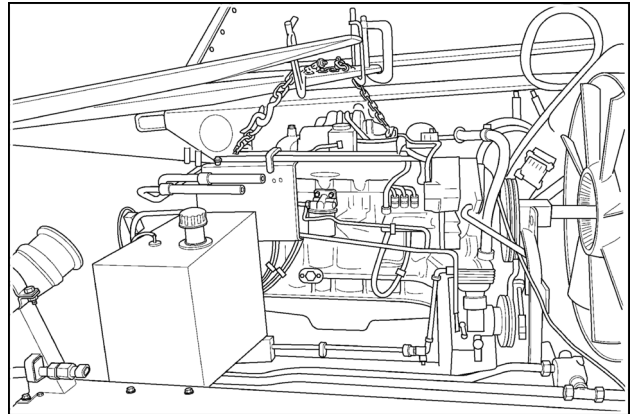
3. Attach a suitable chain to the back lift eye (1) at the rear of the engine.



86070260 3

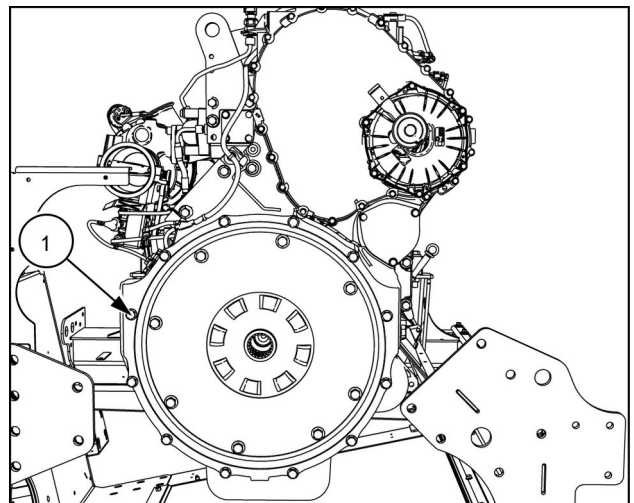
4. Connect the lift chain to a suitable lifting device.
5. Carefully lift the engine above the combine and lower into position in the frame.

NOTE: The lifting device should be rated for at least **907.2 kg (2000 lb)**. Allow enough clearance to lift the engine from the combine, approximately **907.2 kg (2000 lb)** from the floor.



10013136 4

6. For safety reasons to the radiator, place a sheet of plywood, cut to size, in front of the radiator for protection.
7. Slide the engine towards the gearbox onto the gear box input shaft.
8. Align the holes of the gearbox with the engine and hand start a bolt with a washer (1) on each side of the coupling, going back and forth until all bolts with a washers are installed.



NHIL14AF01004AA 5

<https://www.ebooklibonline.com>

Hello dear friend!

Thank you very much for reading.

Enter the link into your browser.

The full manual is available for immediate download.

<https://www.ebooklibonline.com>