

L Series Loader Backhoe

Operators Manual

9-25886



Reprinted



This symbol means ATTENTION! BECOME ALERT! YOUR SAFETY IS INVOLVED. The message that follows the symbol contains important information about your safety. Carefully read the message. Make sure you fully understand the causes of possible injury or death.

SB001

IF THIS MACHINE IS USED BY AN EMPLOYEE, IS LOANED, OR IS RENTED, MAKE SURE THAT THE OPERATOR UNDERSTANDS THE TWO INSTRUCTIONS BELOW.

BEFORE THE OPERATOR STARTS THE ENGINE:

1. GIVE INSTRUCTIONS TO THE OPERATOR ON SAFE AND CORRECT USE OF THE MACHINE.
2. MAKE SURE THE OPERATOR READS AND UNDERSTANDS THE OPERATOR'S MANUAL FOR THIS MACHINE.



WARNING

IMPROPER OPERATION OF THIS MACHINE CAN CAUSE INJURY OR DEATH.

BEFORE STARTING THE ENGINE, DO THE FOLLOWING:

1. READ THE OPERATOR'S MANUAL.
2. READ ALL SAFETY DECALS ON THE MACHINE.
3. CLEAR THE AREA OF OTHER PERSONS.

LEARN AND PRACTICE SAFE USE OF MACHINE CONTROLS IN A SAFE, CLEAR AREA BEFORE YOU OPERATE THIS MACHINE ON A JOB SITE.

It is your responsibility to observe pertinent laws and regulations and to follow manufacturer's instructions on machine operation and maintenance.

See your Authorized Case dealer for additional operator's manuals, parts catalogs, and service manuals.

CASE TECHNICAL MANUALS

Manuals are available from your Dealer for the operation, service and repair of your machine. For prompt convenient service, contact your Dealer for assistance in obtaining the manuals for your machine.

Your Dealer can expedite your order for operators manuals, parts catalogs, service manuals and maintenance records.

Always give the Machine Name, Model and P.I.N. (product identification number) or S.N. (serial number) of your machine so your Dealer can provide the correct manuals for your machine.

CALIFORNIA

Proposition 65 Warning

Diesel engine exhaust and some of its constituents are known to the State of California to cause cancer, birth defects, and other reproductive harm.

Battery posts, terminals and related accessories contain lead and lead compounds. **Wash hands after handling.**

NOTE: CNH America LLC reserves the right to make improvements in design or changes in specifications at any time without incurring any obligation to install them on units previously sold.

<https://www.ebooklibonline.com>

Hello dear friend!

Thank you very much for reading.

Enter the link into your browser.

The full manual is available for immediate download.

<https://www.ebooklibonline.com>

TABLE OF CONTENTS

TO THE OWNER	1
RIGHT, LEFT, FRONT AND REAR OF MACHINE	2
IDENTIFICATION NUMBERS	3
MACHINE COMPONENTS	6 through 9
SAFETY / DECALS / HAND SIGNALS	11
SAFETY RULES	11
BEFORE OPERATION	12
MACHINE OPERATION	14
PARKING THE MACHINE	16
BURN PREVENTION	16
FIRE OR EXPLOSION PREVENTION	17
MAINTENANCE	18
WHEELS AND TIRES MAINTENANCE	19
ROLL-OVER PROTECTIVE STRUCTURE	19
CAST DUCTILE IRON	20
SAFETY DECALS	21
HAND SIGNALS	30
INSTRUMENTS AND CONTROLS	35
MACHINE CONTROLS	37
LOADER CONTROLS	49
BACKHOE CONTROLS WITH FOOT SWING	51
BACKHOE CONTROLS WITH HAND SWING	52
EXTENDAHOE CONTROL WITH FOOT SWING	53
EXTENDAHOE CONTROLS WITH HAND SWING	54
AUXILIARY ATTACHMENT CONTROL FOR BACKHOES	55
STANDARD SEAT	56
SUSPENSION SEAT	57
SEAT BELTS	59
CAB CONTROLS (If Equipped)	60
OPERATING INSTRUCTIONS	65
RUN-IN PERIOD OF A NEW MACHINE	65
ENGINE OPERATION	66
ENGINE STARTING AIDS.....	69
MACHINE OPERATION	73
TOWING A DISABLED MACHINE	78
OPERATING IN COLD WEATHER.....	81
OPERATING IN HOT WEATHER	82
LOADER OPERATION	83
BACKHOE OPERATION	89

WHEELS/TIRES	111
LUBRICATION / MAINTENANCE CHARTS	115
GENERAL SAFETY BEFORE YOU SERVICE	115
ENGINE HOURMETER	115
SUPPORT STRUT FOR LOADER LIFT ARMS	116
FLUIDS AND LUBRICANTS	117
LUBRICATION/MAINTENANCE CHART	118, 119
SYSTEMGARD LUBRICATION ANALYSIS PROGRAM	120
ENVIRONMENT	120
LUBRICATION/FILTERS/FLUIDS	121
OPENING THE ENGINE HOOD	121
LOADER GREASE FITTINGS	122
BACKHOE GREASE FITTINGS	124, 126, 128
FLUID LEVELS	133
AMBIENT AIR TEMPERATURE RANGES	135
ENGINE OIL RECOMMENDATIONS	135
ENGINE SERVICE SPECIFICATIONS	136
AIR FILTER SYSTEM	139
ENGINE COOLING SYSTEM	143
DIESEL FUEL SYSTEM	146
HYDRAULIC SYSTEM	150
TRANSMISSION	153
REAR AXLE	155
FRONT FOUR WHEEL DRIVE AXLE	158
CAB AIR FILTER	160
MAINTENANCE AND ADJUSTMENTS	163
LOADER RETURN-TO-DIG ADJUSTMENT	163
ETHER STARTING AID	164
FAN DRIVE BELT REPLACEMENT	165
PLASTIC AND RESIN PARTS	165
SPARK ARRESTER MUFFLER (IF EQUIPPED)	166
RIDE CONTROL ACCUMULATOR	167
CAB AIR CONDITIONING	168
ROLL-OVER PROTECTIVE STRUCTURE	169
FIRE EXTINGUISHER	173
ELECTRICAL SYSTEM	175
BATTERIES	175
LAMP REPLACEMENT	177
INSTRUMENT CLUSTER	179
FUSES	180

MACHINE STORAGE	181
REMOVAL FROM STORAGE	182
SPECIFICATIONS	183
TABLE OF CONTENTS	183
580L SPECIFICATIONS	183
ENGINE DATA - 580L	183
BOLT TORQUES	183
MAIN RELIEF VALVE PRESSURES - 580L	184
TRAVEL SPEEDS - 580L	184
OPERATING WEIGHTS - 580L	184
LOADER BUCKETS - 580L	185
BACKHOE BUCKETS - 580L	185
BASIC MACHINE DIMENSIONS - 580L	186
LOADER OPERATING DATA AND DIMENSIONS - 580L	187, 188
BACKHOE OPERATING DATA AND DIMENSIONS - 580L	190
BACKHOE LIFT CAPACITY - 580L	192
BACKHOE LIFT CAPACITY - 580L (2WD)	194
EXTENDAHOE OPERATING DATA AND DIMENSIONS - 580L	196
EXTENDAHOE LIFT CAPACITY - RETRACTED 580L	198
EXTENDAHOE LIFT CAPACITY - EXTENDED 580L	200
EXTENDAHOE LIFT CAPACITY - 580L (2WD)	202, 204
SPECIFICATIONS - 580 SUPER L	207
ENGINE DATA - 580 SUPER L	207
BOLT TORQUES	207
MAIN RELIEF VALVE PRESSURES - 580 SUPER L	207
TRAVEL SPEEDS - 580 SUPER L	208
OPERATING WEIGHTS - 580 SUPER L	208
LOADER BUCKETS - 580 SUPER L	209
BACKHOE BUCKETS - 580 SUPER L	209
BASIC MACHINE DIMENSIONS - 580 SUPER L	210
LOADER OPERATING DATA AND DIMENSIONS - 580 SUPER L	211, 212
BACKHOE OPERATING DATA AND DIMENSIONS - 580 SUPER L	214
BACKHOE LIFT CAPACITY - 580 SUPER L	216
BACKHOE LIFT CAPACITY - 580 SUPER L (2WD)	218
EXTENDAHOE OPERATING DATA AND DIMENSIONS - 580 SUPER L	220
EXTENDAHOE LIFT CAPACITY - RETRACTED 580 SUPER L	222
EXTENDAHOE LIFT CAPACITY - EXTENDED 580 SUPER L	224
EXTENDAHOE LIFT CAPACITY - 580 SUPER L (2WD)	226, 228
SPECIFICATIONS - 590 SUPER L	231
ENGINE DATA - 590 SUPER L	231
BOLT TORQUES	231
MAIN RELIEF VALVE PRESSURES - 590 SUPER L	231
TRAVEL SPEEDS - 590 SUPER L	232
OPERATING WEIGHTS - 590 SUPER L	232
LOADER BUCKETS - 590 SUPER L	233
BACKHOE BUCKETS - 590 SUPER L	233

BASIC MACHINE DIMENSIONS - 590 SUPER L	234
LOADER OPERATING DATA AND DIMENSIONS - 590 SUPER L	235, 236
BACKHOE OPERATING DATA AND DIMENSIONS - 590 SUPER L	238
BACKHOE LIFT CAPACITY - 590 SUPER L	240, 242
EXTENDAHOE OPERATING DATA AND DIMENSIONS - 590 SUPER L	244
EXTENDAHOE LIFT CAPACITY - RETRACTED 590 SUPER L	246
EXTENDAHOE LIFT CAPACITY - EXTENDED 590 SUPER L	248
EXTENDAHOE LIFT CAPACITY - 590 SUPER L	250, 252
AFTER DELIVERY CHECK	255, 257
ALPHABETICAL INDEX	259

TO THE OWNER

This manual contains important information about the safe operation, adjustment, service and maintenance of your Case machine. Do not operate or permit anyone else to operate or service this machine until you or the other persons have read this manual. Use only trained operators who have demonstrated the ability to operate and service this machine correctly and safely.



This machine, with standard attachments and equipment, is intended to be used for below ground level digging and general earthmoving purposes, such as trenching, truck loading, and material rehandling.

If the backhoe is to be used to lift loads, for safety purposes it is recommended that the machine is properly equipped. Contact your Case dealer and install a "Load Holding Control Device" on your machine's boom cylinders. This system prevents the sudden lowering of the load in the event of a failure of a hydraulic hose, line, or fitting in the boom hydraulic system. Such a failure can cause personal injury or death. Read "Lifting with the Backhoe" in this manual and follow the instructions and safety precautions. See page 103.

Do not use this machine for any application or purpose other than those described in this manual. Unauthorized modifications can cause serious injury or death. Anyone making such unauthorized modifications is responsible for the consequences.

This operator's manual is to be stored in the compartment in front of the steering wheel and is attached with a lanyard. Make sure this manual is complete and in good condition. Contact your Case dealer to obtain additional manuals.

Contact your authorized Case dealer for any further information about this machine. Your Case dealer has genuine Case parts and service which is your guarantee of Quality and Performance.

Case Corporation
Racine, WI, U.S.A.

TO THE OWNER _____

AFTER DELIVERY CHECK

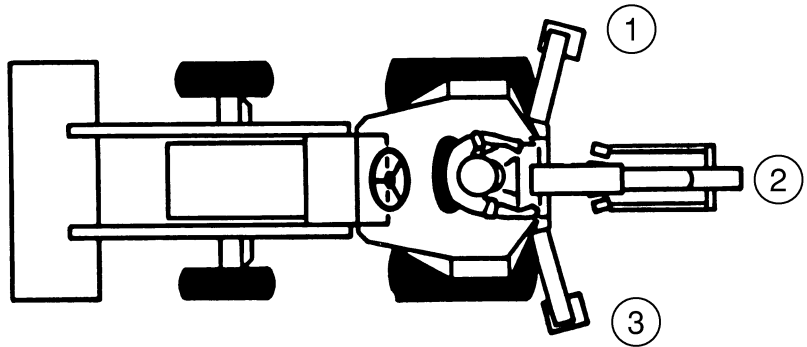
Two copies of the After Delivery Check are in the back of this manual. One copy is for you and one copy is for the dealer. Make sure that your dealer does the After Delivery Check after the first 20 hours of machine operation.

NOTE: *Your cost for this inspection will be for filters, oil, or other accessories. If the dealer comes to your machine, there can also be a cost for the time and distance.*

RIGHT, LEFT, FRONT AND REAR OF MACHINE

Right-hand and left-hand, front, and rear, when used in this manual, indicate the right and left sides of the machine as seen from the operators seat.

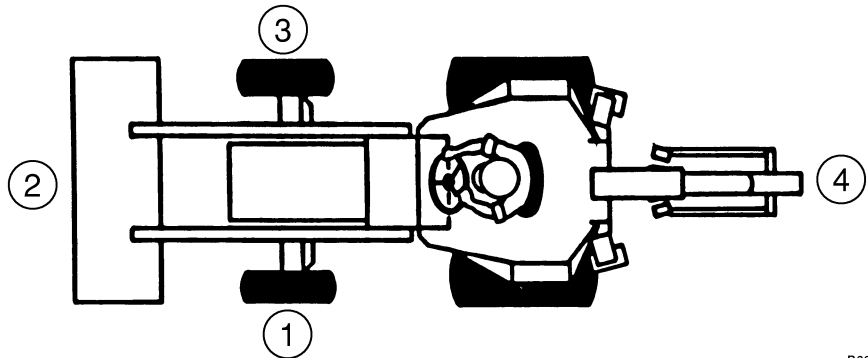
Backhoe



B890917J

1. Left-Hand 2. Front 3. Right-Hand

Basic Machine and Loader



B890918J

1. Left-Hand 2. Front 3. Right-Hand 4. Rear

_____ TO THE OWNER

IDENTIFICATION NUMBERS

Write the Product Identification Number (P.I.N.) and the engine serial number on the lines provided below. If needed, give these numbers to your Case dealer when you need parts or information for your machine. Keep a record of these numbers and your Manufacturers Statement of Origin in a safe place. If the machine is stolen, report the numbers to your local law enforcement agency.

MACHINE MODEL NUMBER _____

PRODUCT IDENTIFICATION NUMBER _____

ENGINE SERIAL NUMBER _____

ROPS CAB _____

ROPS CANOPY _____

TRANSMISSION _____

REAR AXLE _____

FRONT DRIVE AXLE

(Four Wheel Drive Machines) _____

4-IN-1 LOADER BUCKET (Part Number) _____

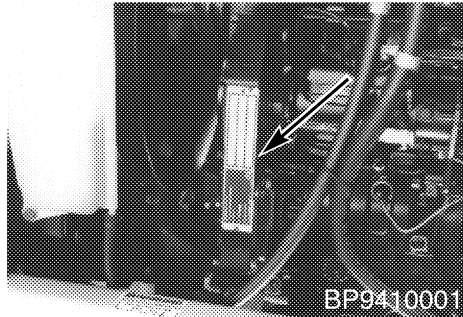
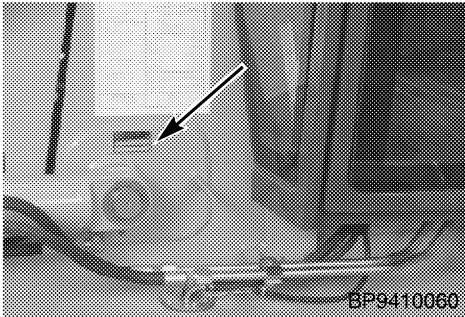
STANDARD LOADER BUCKET (Part Number) _____

BACKHOE BUCKET (Part Number) _____

TRIM THIS EDGE

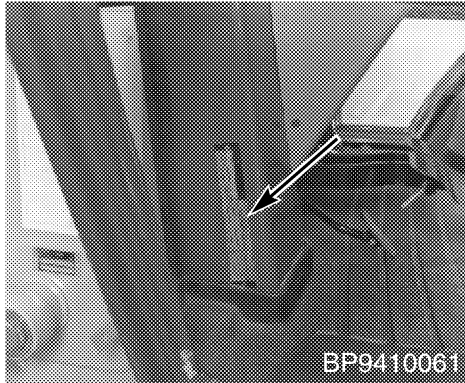
P.I.N.

Engine Serial Number

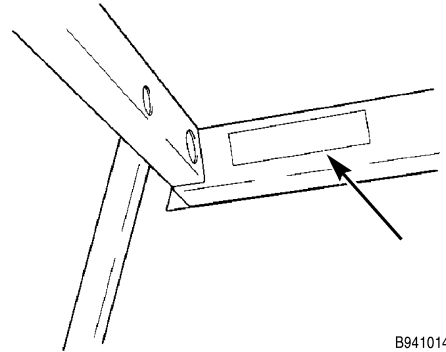


TO THE OWNER _____

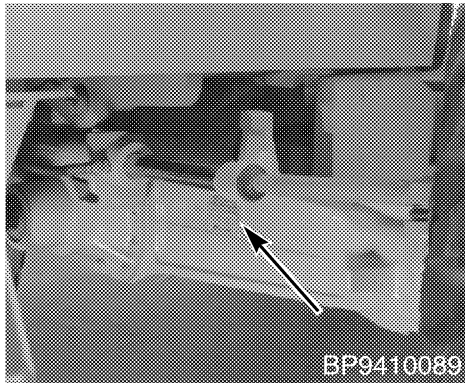
ROPS Cab



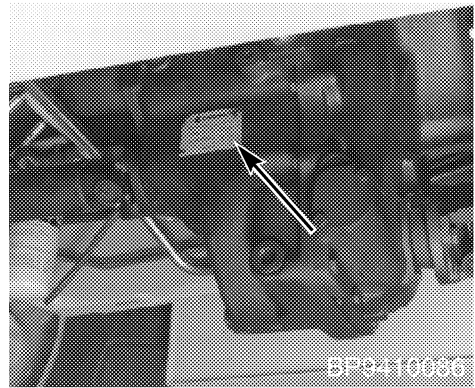
ROPS Canopy



**Front Drive Axle
(Four Wheel Drive Machines)**

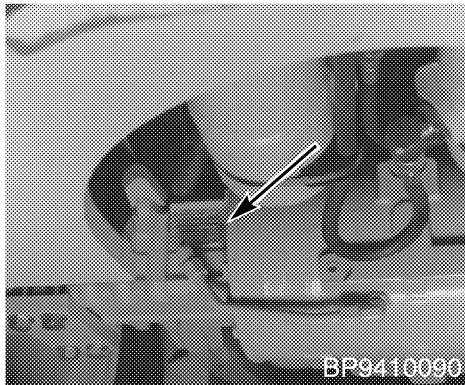


Transmission

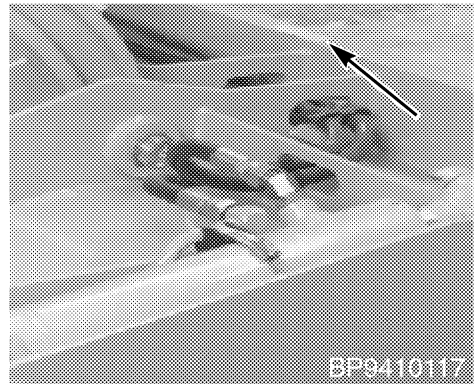


TRIM THIS EDGE

Rear Axle

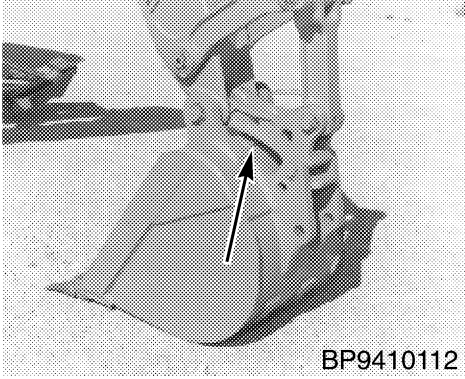


**4-In-1 Loader Bucket
(Part Number)**

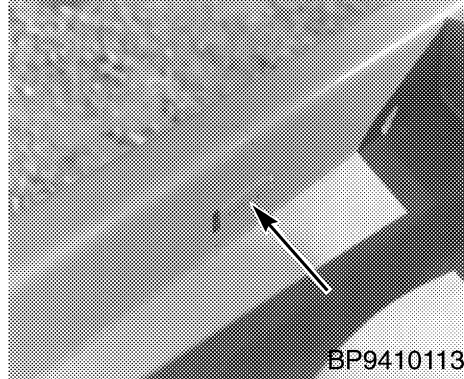


_____ TO THE OWNER

**Backhoe Bucket
(Part Number)**



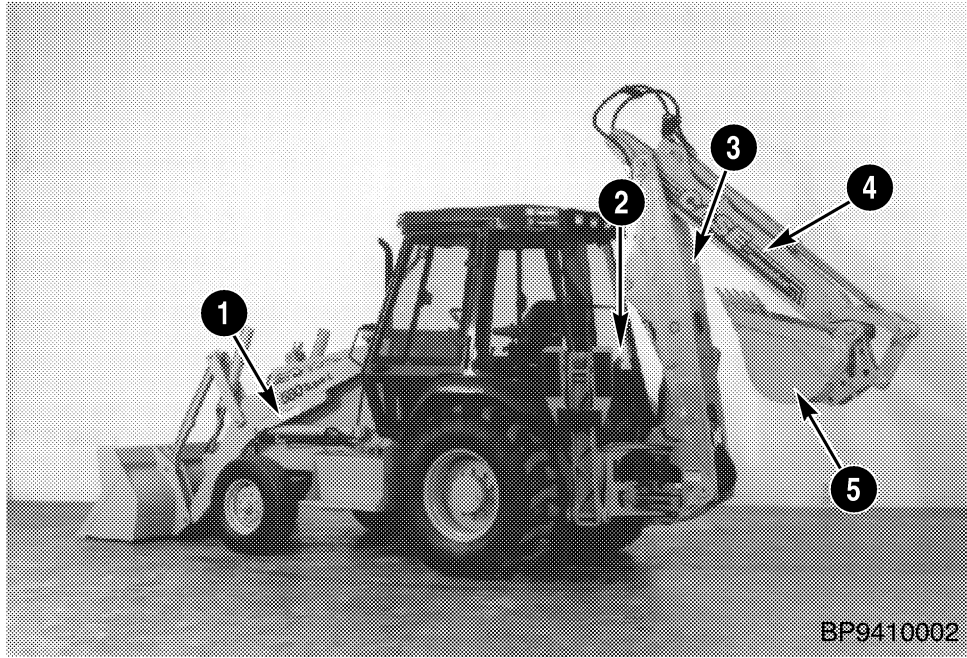
**Standard Loader Bucket
(Part Number)**



TRIM THIS EDGE

TO THE OWNER _____

MACHINE COMPONENTS



TRIM THIS EDGE

1. *Lift Arm Support Strut*
2. *Backhoe Controls*

3. *Boom*
4. *Extendable Dipper*

5. *Backhoe Buckets*



Suggest:

If the above button click is invalid.

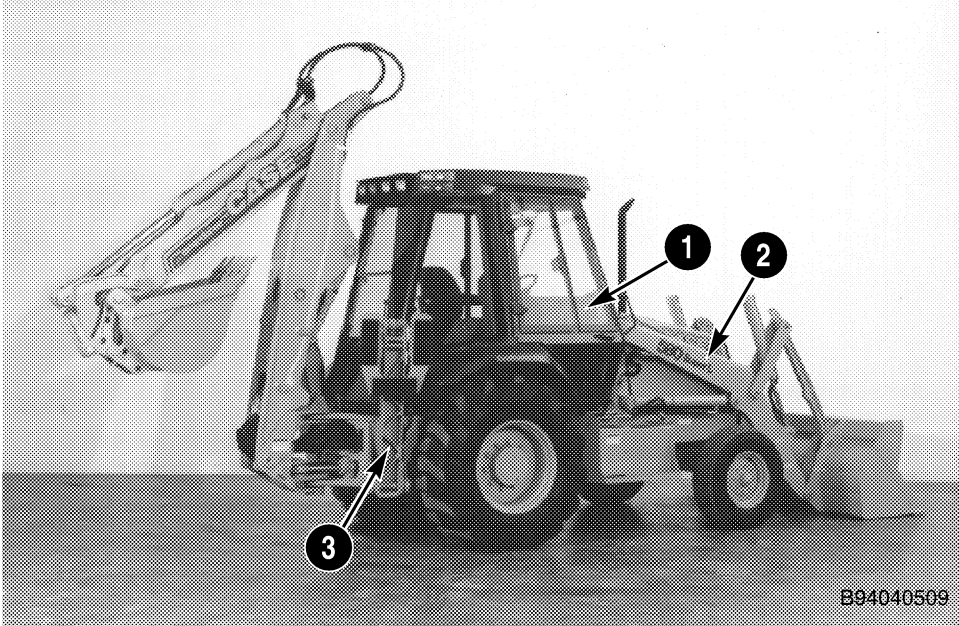
Please download this document

first, and then click the above link

to download the complete manual.

Thank you so much for reading

MACHINE COMPONENTS (Cont'd)



1. Loader Controls

2. Loader Lift Arms

3. Stabilizer

TRIM THIS EDGE

<https://www.ebooklibonline.com>

Hello dear friend!

Thank you very much for reading.

Enter the link into your browser.

The full manual is available for immediate download.

<https://www.ebooklibonline.com>