

# **SERVICE MANUAL**

**Backhoe Loaders**  
**BI00C / BI00CLR / BI00CTC**  
**BII0C / BII0CTC / BII5C**

Print No. 84568042A



# INDEX

## SECTION 00 - SAFETY RULES

FOREWORD.....	4
SAFETY INSTRUCTIONS .....	6
PREVENTION OF FIRE OR EXPLOSIONS.....	8
PREVENTION OF BURNS .....	9
PRECAUTIONS FOR WASTE DISPOSAL.....	10

## SECTION 01 - MAINTENANCE

## SECTION 02 - TECHNICAL SPECIFICATIONS

MODELS.....	3
IDENTIFICATION OF MAIN COMPONENTS.....	4
TECHNICAL SPECIFICATIONS.....	7
DIESEL ENGINE .....	7
TRANSMISSION.....	9
AXLES .....	10
BRAKES .....	10
STEERING.....	11
HYDRAULIC SYSTEM .....	11
FRONT COUNTERWEIGHT .....	12
BUCKETS .....	12
TYRES.....	13
DPF SYSTEM.....	14
DIMENSIONS AND PERFORMANCE.....	18
DIMENSIONS - 2WS SIDESHIFT .....	18
DIMENSIONS - 2WS CENTER PIVOT.....	19
DIMENSIONS - 2WS TC - SIDESHIFT .....	20
DIMENSIONS - 4WS SIDESHIFT .....	21
DIMENSIONS - 4WS CENTER PIVOT.....	22
LOADER ATTACHMENT PERFORMANCE.....	23
PERFORMANCE OF LOADER ATTACHMENT WITH FORKS .....	33
BACKHOE ATTACHMENT PERFORMANCE.....	38
BACKHOE ATTACHMENT LIFTING CAPACITY .....	58
MAXIMUM LIFTING LOADS.....	63
LOADER ATTACHMENT MAXIMUM LIFTING LOAD TABLE .....	63
BACKHOE ATTACHMENT MAXIMUM LIFTING LOAD TABLE .....	64
SUPPLY SUMMARY TABLE .....	65

**SECTION 10 - ENGINE**

REMOVAL AND INSTALLATION THE ENGINE HOOD, THE RADIATOR AND ENGINE .....	3
PRELIMINARY OPERATIONS .....	3
BATTERY .....	4
DISCONNECT .....	4
ENGINE HOOD .....	6
REMOVE .....	6
RADIATOR .....	9
REMOVE .....	9
ENGINE .....	16
REMOVE .....	16
INSTALL .....	26
RADIATOR .....	35
INSTALL .....	35
ENGINE HOOD .....	41
INSTALL .....	41
BATTERY .....	44
CONNECT .....	44
ENGINE ERROR CODES .....	46

**SECTION 21 - TRANSMISSION**

POWERSHUTTLE TRANSMISSION .....	3
TECHNICAL SPECIFICATIONS .....	4
CONTROLS .....	8
LUBRICATION .....	12
GREASING .....	15
REMOVAL FROM MACHINE .....	17
DISASSEMBLY AND ASSEMBLY .....	20
TROUBLESHOOTING .....	132
TRANSMISSION ERROR CODES .....	136
REPAIR TIMES .....	140
SPECIAL TOOLS .....	141
POWERSHIFT TRANSMISSION .....	142
TECHNICAL SPECIFICATIONS .....	142
CONTROLS .....	153
LUBRICATION .....	155
GREASING .....	157
REMOVAL FROM MACHINE .....	158
DISASSEMBLY AND ASSEMBLY .....	161
TROUBLESHOOTING .....	325
TRANSMISSION ERROR CODES .....	329
REPAIR TIMES .....	333
SPECIAL TOOLS .....	334

---

**<https://www.ebooklibonline.com>**

Hello dear friend!

Thank you very much for reading.

Enter the link into your browser.

The full manual is available for immediate download.

**<https://www.ebooklibonline.com>**

**SECTION 25 - FRONT AXLES**

2WS FRONT AXLE.....	3
TECHNICAL SPECIFICATIONS.....	3
LUBRICATION AND GREASING .....	4
REMOVAL FROM MACHINE .....	6
DISASSEMBLY AND ASSEMBLY.....	7
TROUBLESHOOTING.....	7
4WD - 2WS FRONT AXLE .....	10
TECHNICAL SPECIFICATIONS.....	10
LUBRICATION AND GREASING .....	11
REMOVAL FROM MACHINE .....	13
DISASSEMBLY AND ASSEMBLY.....	14
TROUBLESHOOTING.....	57
SPECIAL TOOLS.....	61
4WS FRONT AXLE.....	62
TECHNICAL SPECIFICATIONS.....	62
LUBRICATION AND GREASING .....	63
REMOVAL FROM MACHINE .....	65

**SECTION 27 - REAR AXLE**

2WS REAR AXLE (B100C - B100CTC).....	3
TECHNICAL SPECIFICATIONS.....	3
LUBRICATION AND GREASING .....	5
REMOVAL FROM MACHINE .....	7
DISASSEMBLY AND ASSEMBLY.....	8
TROUBLESHOOTING.....	61
REPAIR TIMES.....	67
SPECIAL TOOLS.....	68
2WS REAR AXLE (B110C - B110CTC).....	69
TECHNICAL SPECIFICATIONS.....	69
LUBRICATION AND GREASING .....	71
REMOVAL FROM MACHINE .....	73
DISASSEMBLY AND ASSEMBLY.....	74
TROUBLESHOOTING.....	127
REPAIR TIMES.....	133
SPECIAL TOOLS.....	134
4WS REAR AXLE (B115C).....	135
TECHNICAL SPECIFICATIONS.....	135
LUBRICATION AND GREASING .....	138
REMOVAL FROM MACHINE .....	140
DISASSEMBLY AND ASSEMBLY.....	141
TROUBLESHOOTING.....	219
REPAIR TIMES.....	225
SPECIAL TOOLS.....	227

---

**SECTION 33 - BRAKE SYSTEM**

PARKING BRAKE.....	3
TECHNICAL SPECIFICATIONS.....	3
OPERATION.....	3
ADJUSTMENT.....	4
DISASSEMBLY AND ASSEMBLY.....	6
SERVICE BRAKE.....	15
TECHNICAL SPECIFICATIONS.....	15
OPERATION.....	15
BRAKE PUMP - Remove.....	16
BRAKE PUMP - Install.....	18

**SECTION 35 - HYDRAULIC SYSTEM**

HYDRAULIC DIAGRAMS.....	3
HYDRAULIC DIAGRAM - 2WS SIDESHIFT MECHANICAL MODELS POWERSHUTTLE (B100C - B100CTC).....	3
HYDRAULIC DIAGRAM - 2WS SIDESHIFT PILOT MODELS POWERSHUTTLE (B100C - B100CTC - B110C - B110CTC).....	5
HYDRAULIC DIAGRAM - 2WS SIDESHIFT PILOT MODELS POWERSHUTTLE (B100CLR).....	7
HYDRAULIC DIAGRAM - 2WS SIDESHIFT MECHANICAL MODELS POWERSHUTTLE (B100CLR).....	9
HYDRAULIC DIAGRAM - 2WS SIDESHIFT MECHANICAL MODELS POWERSHIFT (B110CTC).....	11
HYDRAULIC DIAGRAM - 4WS SIDESHIFT MECHANICAL MODELS POWERSHIFT (B115C).....	13
HYDRAULIC DIAGRAM - 4WS SIDESHIFT PILOT MODELS POWERSHIFT (B115C).....	15
HYDRAULIC DIAGRAM - 4WS CENTER PIVOT PILOT MODELS POWERSHIFT (B115C).....	17
HYDRAULIC PUMP.....	19
HYDRAULIC FIXED-FLOW-RATE GEAR PUMP.....	19
HYDRAULIC VARIABLE-FLOW-RATE PISTON PUMP.....	30
CONTROL VALVES.....	44
LOADER CONTROL VALVE.....	53
BACKHOE ATTACHMENT CONTROL VALVE.....	57
RELIEF VALVES.....	69
BACKHOE ATTACHMENT CONTROL VALVE PILOT SOLENOID VALVE.....	78
ACCUMULATOR "AUTO GLIDE RIDE" PARKER.....	81
TECHNICAL SPECIFICATIONS.....	81
MAINTENANCE.....	81
SAFETY.....	81
CHECKING AND ADJUSTING THE PRECHARGE PRESSURE.....	82
HYDRAULIC SWING SYSTEM.....	84
OPERATION.....	84
HYDRAULIC CYLINDERS.....	87
LOADER ATTACHMENT BOOM CYLINDER.....	88
LOADER BUCKET CYLINDER.....	95
4X1 LOADER BUCKET CYLINDER.....	101
BACKHOE BOOM CYLINDER.....	104
BACKHOE ATTACHMENT DIPPER CYLINDER.....	108
BACKHOE BUCKET CYLINDER.....	112
TELESCOPIC CYLINDER.....	116

---

---

## INDEX

---

STABILIZER CYLINDER - CENTER PIVOT .....	120
STABILIZER CYLINDER - SIDESHIFT .....	124
SWING CYLINDER.....	128
BACKHOE ATTACHMENT LOCK CYLINDER - SIDESHIFT .....	132
SPECIAL TOOLS.....	133
HYDRAULIC CONTROL LEVERS .....	134
TECHNICAL SPECIFICATIONS.....	134
CONTROLS AND OPERATION .....	135
COMPONENTS .....	136
DISASSEMBLY AND ASSEMBLY.....	138
CONTROL LEVER VALVE .....	141
TROUBLESHOOTING.....	143
PRELIMINARY CHECKS.....	143
TROUBLESHOOTING (WITH "REXROTH" CONTROL VALVES).....	144
SWING.....	146
HYDRAULIC PUMP .....	147

### **SECTION 39 - CHASSIS**

DESCRIPTION .....	3
REMOVAL AND INSTALLATION OF COMPONENTS .....	6
COMPONENTS WITHIN THE CHASSIS .....	6
COMPONENTS OF THE LOWER PART OF THE CHASSIS .....	7
COMPONENTS ATTACHED OUTSIDE THE CHASSIS.....	11
COMPONENTS OF THE UPPER PART .....	12

### **SECTION 41 - STEERING SYSTEM**

DESCRIPTION .....	3
2WS STEERING SYSTEM.....	4
4WS STEERING SYSTEM.....	7
POWER STEERING.....	11
TECHNICAL SPECIFICATIONS.....	11
COMPONENTS .....	13
DISASSEMBLY.....	15
ASSEMBLY.....	18

### **SECTION 50 - CAB HEATING AND AIR CONDITIONING**

TECHNICAL SPECIFICATIONS.....	3
GENERAL.....	3
CAB HEATING.....	5
CONTROLS.....	5
OPERATION.....	6
OVERHAUL .....	9
TROUBLESHOOTING.....	11

---

## INDEX

---

AIR CONDITIONING.....	12
PRINCIPLES OF AIR CONDITIONING .....	12
CONTROLS .....	17
OPERATION.....	18
TROUBLESHOOTING AND TESTING.....	25
FLUSHING THE SYSTEM.....	43
DRAINING THE SYSTEM.....	45
CHARGING THE SYSTEM.....	46
OVERHAUL .....	47
COMPRESSOR .....	52
TECHNICAL SPECIFICATIONS.....	52
REMOVAL AND INSTALLATION .....	53
DISASSEMBLY AND ASSEMBLY.....	56
TROUBLESHOOTING.....	65
 <b>SECTION 55 - ELECTRIC SYSTEM</b>	
ELECTRIC DIAGRAMS .....	3
ELECTRIC DIAGRAMS - POWERSHUTTLE CAB (B100C - B100CTC - B110C - B110CTC).....	3
ELECTRIC DIAGRAMS - POWERSHIFT CAB (B110C - B110CTC).....	21
ELECTRIC DIAGRAMS - 4WS POWERSHIFT CAB (B115C).....	40
CONTROLS AND INSTRUMENTS.....	59
FRONT INSTRUMENT PANEL .....	59
SIDE INSTRUMENT CLUSTER PANEL (B100C - B100CTC - B110C - B110CTC - B115C).....	62
SIDE INSTRUMENT CLUSTER (B100C - B100CTC - B110C - B110CTC - B115C).....	64
ANTI-START SYSTEM.....	66
DIAGNOSTIC DISPLAY (B100C - B100CTC - B110C - B110CTC - B115C).....	67
SYMBOLS.....	69
SETUP MENU.....	70
PROCEDURE ABOUT SELF TEST.....	71
ON BOARD ERROR CODE RETRIEVAL.....	72
BACKLIGHTING AND DIMMING.....	73
WORK HOURS.....	74
OPERATION.....	75
WARNING SYSTEM.....	79
MAINTENANCE.....	80
WARNING MESSAGES.....	82
STARTING SYSTEM .....	88
OPERATION.....	88
STARTER MOTOR.....	91
TROUBLESHOOTING.....	98
ALTERNATOR.....	100
TECHNICAL SPECIFICATIONS.....	100
OPERATION.....	100
COMPONENTS .....	102
REMOVAL.....	103
PRELIMINARY CHECKS AND TESTS.....	104
TROUBLESHOOTING.....	113

---

---

## INDEX

---

BATTERY .....	114
TECHNICAL SPECIFICATIONS.....	114
OPERATION.....	114
REPLACEMENT .....	115
CHARGE AND ELECTROLYTE LEVEL CHECK .....	116
CONNECTING A BOOSTER BATTERY .....	117
BATTERY MASTER SWITCH .....	117
TROUBLESHOOTING.....	118

### **SECTION 82 - LOADER**

LOADER ATTACHMENT CONTROLS.....	4
LOADER ATTACHMENT OPERATION .....	4
4x1 LOADER BUCKET CONTROL (Optional) .....	7
LOADER ATTACHMENT CONTROL LOCK (Specific to certain countries).....	8
LOADER BUCKET SELF-LEVELLING.....	9
LOADER ATTACHMENT SAFETY STRUT.....	12
LOADER ATTACHMENT SAFETY STRUT (B100C - B110C).....	12
LOADER ATTACHMENT SAFETY STRUT (B100CTC - B110CTC - B115C).....	14
REMOVAL AND INSTALLATION OF LOADER BUCKET.....	15
LOADER BUCKET (B100C - B110C).....	15
LOADER BUCKET (B100CTC - B110CTC - B115C).....	16
LOADER BUCKET WITH FORKS (Optional) .....	17
BUCKET TEETH REPLACEMENT.....	18
LOADER REMOVAL.....	19
LOADER ATTACHMENT (B100C - B110C).....	19
LOADER ATTACHMENT (B100CTC - B110CTC - B115C).....	21

### **SECTION 84 - BACKHOE**

DESCRIPTION AND OPERATION.....	3
BACKHOE ATTACHMENT CONTROLS.....	6
BACKHOE ATTACHMENT MECHANICAL CONTROLS .....	7
BACKHOE ATTACHMENT HYDRAULIC CONTROLS .....	17
BACKHOE ATTACHMENT SIDESHIFT (Sideshift version) .....	23
BACKHOE ATTACHMENT DISASSEMBLY .....	25
CENTER PIVOT BACKHOE ATTACHMENT DISASSEMBLY.....	25
SIDESHIFT BACKHOE ATTACHMENT DISASSEMBLY.....	28
BACKHOE BUCKET REPLACEMENT .....	30
BUCKET TEETH REPLACEMENT.....	31
DIPPER REMOVE .....	32
TELESCOPIC DIPPER REVISION.....	35
OVERHAUL .....	35
BACKHOE ATTACHMENT HYDRAULIC HANDLING .....	38
CONTROLS .....	38
HYDRAULIC DIAGRAM .....	38
DISASSEMBLY AND ASSEMBLY.....	39

---

**B100C - B100CLR - B100CTC**

**B110C - B110CTC**

**B115C**



**SECTION 00 - SAFETY RULES**

## SAFETY INSTRUCTIONS

---

 **WARNING** 

This warning symbol points out important messages involving your safety.

Carefully read the safety rules contained herein and follow advised precautions to avoid potential hazards and to safeguard your safety and personal integrity.

In this manual you will find this symbol together with the following keywords:

---

---

 **WARNING** 

This symbol warns about the possibility of potential damages to the machine that can involve the operator's safety.

---

---

 **WARNING** 

With specific warnings about potential dangers for the operator's or other persons integrity directly or indirectly involved.

---

The non-compliance with the warnings preceded by the above-mentioned keywords (WARNING and DANGER) can cause serious accidents or even the death of the persons involved.

Moreover, in the present Manual, some instructions are given with text in italics, preceded by the words **NOTE** and **CAUTION**.

**NOTA:** *it emphasizes and underlines to the operator the correct technique or correct procedure to follow.*

---

 **WARNING** 

This symbol warns about the possibility of potential damages to the machine that can involve the operator's safety.

---

## FOREWORD

Loader backhoes B100C - B100CLR - B100CTC - B110C - B110CTC - B115C have been designed to perform most earth-moving operations.

If you use this machine for duties involving the use of attachments, accessories, or special tools, consult your Dealer to make sure that the adaptations or modifications carried out are in conformity with the machine's technical specifications and with current regulations on safety.

Any modifications or adaptations which are not approved by the manufacturer may invalidate the machine's original conformity with safety requirements.

The machine must be used according to its intended use, respecting the safety and precautionary rules and strictly following the operating instructions.

Any functional disorders, especially those affecting the safety of the machine, should therefore be rectified immediately.

———— **⚠ DANGER ⚠** ————

A different use of the excavator or of its working equipment:

- for lifting or transporting persons;
- as working platform;
- for lifting loads without the attachment being approved for this purpose;
- for pulling loads;
- is considered unintended use.

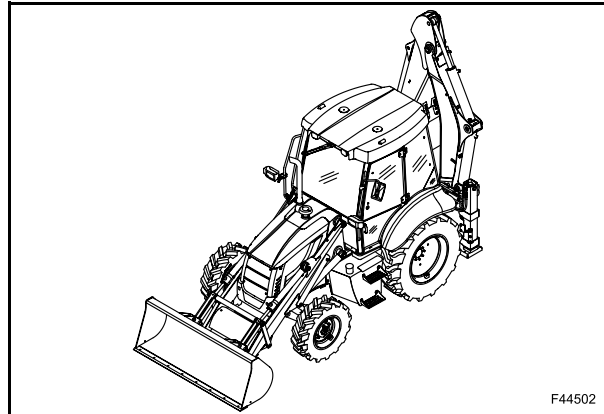
Unintended use may cause injury or life-threatening risks for the operator and for other persons.

The manufacturer/supplier cannot be held responsible for any damage resulting from unintended use. The risk involved in such misuse lies entirely with the user.

———— **⚠ DANGER ⚠** ————

It is absolutely forbidden to tamper with and/or change the setting of any of the hydraulic system valves to avoid damaging machine components, with a consequent risk for personal safety.

The current Operator's Manual is the user's guide for correct run-in, use and maintenance of the machine.



Carefully read this Operator's Manual and store it in the cab for quick location and reference.

Instructions concerning safety, operation and maintenance have been developed to permit safe service and repair of this machine without any risk.

In the event of queries or suggestions relevant to your machine do not hesitate to address to your Dealer.

Dealers have qualified and trained personnel at disposal as well as Original Spares, means and equipment suitable to carry out all necessary maintenance.

Any modifications or adaptations which are not approved by the manufacturer may invalidate the machine's original conformity with safety requirements.

**IMPORTANTE:** *the engine and fuel system on your machine are designed and built to government emissions standards. Tampering by dealers, customers, operators and users is strictly prohibited by law. Failure to comply with this prohibition could result in government fines, rework charges, invalid warranty, legal action and possible confiscation of the machine until rework to original condition is completed. Engine service and/or repairs must be carried out by a certified technician only.*

**NOTA:** *each machine is supplied complete with a copy of this Manual. Descriptions and illustrations provided herein are not binding. The Manufacturer, provided that the basic characteristics of machine types described and shown in this Manual remain the same, reserves the right to change components, parts and accessories supplied without any commitment to timely update this publication; and this any time it deems it convenient for improvement purposes or due to commercial or manufacturing requirements. For exact information, please consult your Dealer or contact the Manufacturer's Branch Offices, who remain at your disposal for further help.*

## SPARE PARTS

The "non-genuine" spare parts have not been checked and authorized by the Manufacturer.

The assembly and/or use of such products may have negative effects on the machine design features and could impair its operation safety.

The Manufacturer is not liable for any damage caused by "non-genuine" spare parts or accessories.

## WARRANTY

This machine is under warranty according to the regulations in force in Your Country and in compliance with the sales agreement drawn up with the Dealer.

The warranty, however, expires if the operation and maintenance instruction for this machine and contained in this manual, have not been followed.

## SAFETY INSTRUCTIONS

Carefully read the safety rules contained herein and follow advised precautions to avoid potential hazards and to safeguard your safety and personal integrity.

Your safety and that of the people around you depends on you.

It is essential that you understand this manual for a correct inspection, lubrication and repair of this machine.

Read this manual carefully and check that:

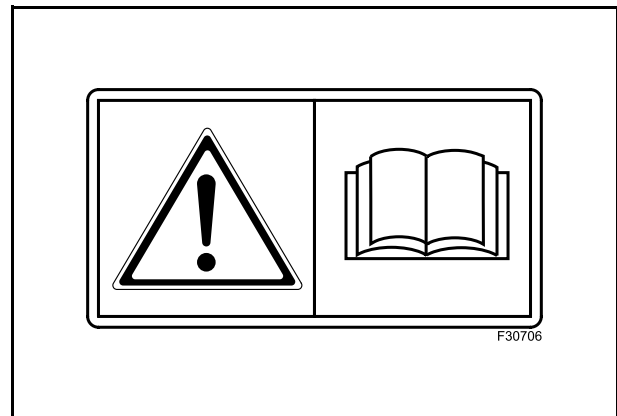
- you understand fully the symbols on the controls and the safety signs used in this manual and on the machine;
- you understand fully the speed, stability, braking and steering characteristics of the machine. If you are in any doubt, consult your Dealer.

The safety messages in this section concern situations which may arise during normal machine operation, servicing and repair. These safety messages also indicate the different ways of coping with these situations. Other safety messages are used throughout the manual to indicate specific dangers.

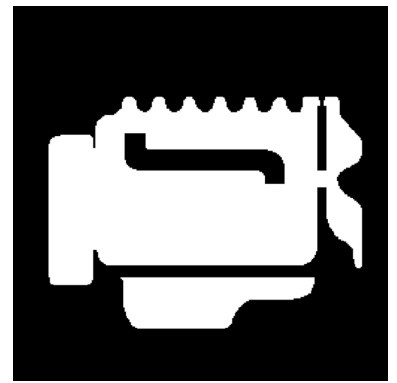
The information given in this chapter is a summary of the basic rules to respect at all times and does not exempt you from observing traffic regulations or the requirements of insurance companies.

The presence of grease, oil, mud or (in winter) ice on the steps and access handles can cause accidents. Make sure they are always clean.

When mounting or dismounting from the machine always face the machine and use the steps and access handles on the left-hand side of the machine.



**B100C - B100CLR - B100CTC**  
**B110C - B110CTC**  
**B115C**



**SECTION 10 - ENGINE**

REMOVAL AND INSTALLATION THE ENGINE HOOD, THE RADIATOR AND ENGINE .....	3
PRELIMINARY OPERATIONS .....	3
BATTERY .....	4
DISCONNECT .....	4
ENGINE HOOD .....	6
REMOVE .....	6
RADIATOR .....	9
REMOVE .....	9
ENGINE .....	16
REMOVE .....	16
INSTALL .....	26
RADIATOR .....	35
INSTALL .....	35
ENGINE HOOD .....	41
INSTALL .....	41
BATTERY .....	44
CONNECT .....	44
ENGINE ERROR CODES .....	46

---

## REMOVAL AND INSTALLATION OF THE ENGINE HOOD, THE RADIATOR AND ENGINE

### Preliminary operations

- Position the machine on a flat and compact surface.
- Apply the parking brake and chock the wheels with wedges.
- Use only the recommended tools.
- Do not insert hands or extraneous components between parts.
- Disconnect the battery before proceeding.

---

**⚠ WARNING ⚠**

Do not allow unauthorized persons to repair or service this machine. Be certain to read the Use and Maintenance Manual with care before starting, operating, servicing, refuelling or repairing this machine.

---

Turn the **STARTER SWITCH** to the **OFF** position and display the “**DO NOT START**” warning notice.

**IMPORTANT:** *From this point onwards, mark all electrical connections and hydraulic pipes to facilitate the process of RESTORING CONNECTIONS DURING REFITMENT.*

- Unscrew the cap of the hydraulic oil tank slowly to release the air pressure from inside the tank.
- Move the control lever repeatedly back and forth to release pressure in the hydraulic circuit.
- With oil warm, remove plug from the bottom of the machine and drain the oil into a receptacle of suitable capacity.

---

**⚠ DANGER ⚠**

Fluid under pressure; Before removing the plug or cap, turn slowly to release pressure from the system. See the Use and Maintenance Manual.

---

Put a container below radiator drain. Remove radiator cap. Remove cap and drain coolant into container. Install cap after coolant has drained. Install radiator cap.

Put a container below engine oil drain. Remove cap and drain oil into container. Install cap after oil has drained.

---

## Battery - Disconnect

———— **⚠ WARNING ⚠** ————

Explosive gas!

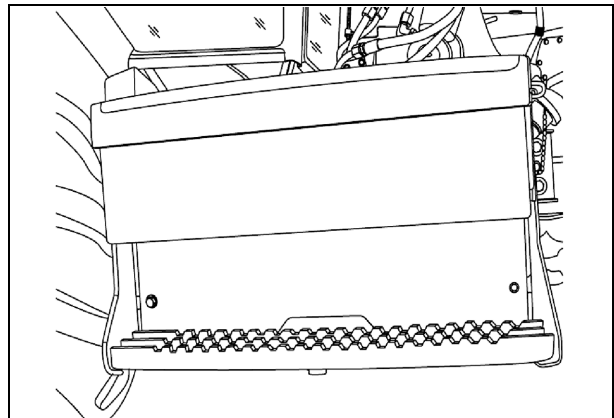
Batteries emit explosive hydrogen gas and other fumes while charging. Ventilate the charging area. Keep the battery away from sparks, open flames, and other ignition sources. Never charge a frozen battery. Failure to comply could result in death or serious injury.

———— **⚠ WARNING ⚠** ————

Hazardous chemicals!

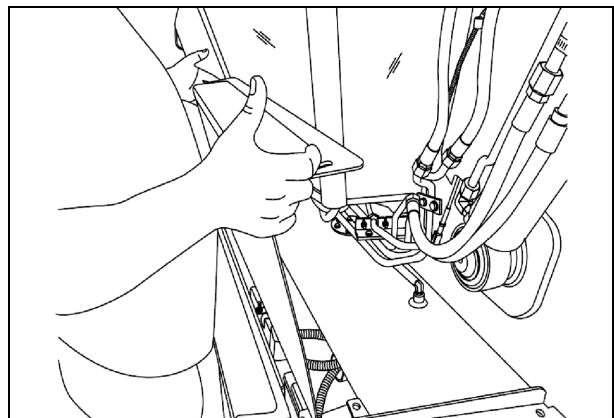
Battery electrolyte contains sulfuric acid. Contact with skin and eyes could result in severe irritation and burns. Always wear splash-proof goggles and protective clothing (gloves and aprons). Wash hands after handling. Failure to comply could result in death or serious injury.

Remove the battery cover hardware.



TBR00002

Remove the battery cover.



TBR00003



**Suggest:**

**If the above button click is invalid.**

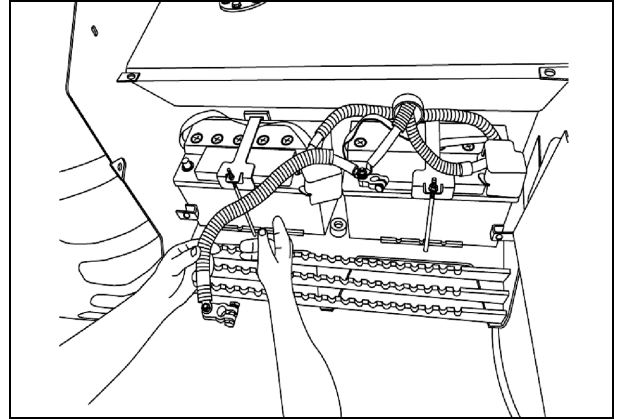
**Please download this document**

**first, and then click the above link**

**to download the complete manual.**

**Thank you so much for reading**

Disconnect the negative battery cable from the negative battery terminal.



TBR00004

**<https://www.ebooklibonline.com>**

Hello dear friend!

Thank you very much for reading.

Enter the link into your browser.

The full manual is available for immediate download.

**<https://www.ebooklibonline.com>**