

SERVICE MANUAL

7030M / 8030L
Grape Harvester

Part number 47922143

English
March 2016





SERVICE MANUAL

Compact TIER 4B

Link Product / Engine

Product	Market Product	Engine
7030 M	Europe	F4HFE413Y*B001
8030 L Grape harvester for large vineyard - Extra medium capacity range	Europe	F4HFE413Y*B001

<https://www.ebooklibonline.com>

Hello dear friend!

Thank you very much for reading.

Enter the link into your browser.

The full manual is available for immediate download.

<https://www.ebooklibonline.com>

Contents

INTRODUCTION

Engine	10
[10.001] Engine and crankcase	10.1
[10.216] Fuel tanks	10.2
[10.310] Aftercooler.....	10.3
[10.400] Engine cooling system	10.4
[10.500] Selective Catalytic Reduction (SCR) exhaust treatment.....	10.5
[10.254] Intake and exhaust manifolds and muffler	10.6
[10.414] Fan and drive	10.7
Rear axle system	27
[27.100] Powered rear axle.....	27.1
Hydrostatic drive	29
[29.218] Pump and motor components.....	29.1
[29.202] Hydrostatic transmission	29.2
[29.204] Reservoir, cooler, and lines	29.3
Brakes and controls	33
[33.202] Hydraulic service brakes	33.1
Hydraulic systems	35
[35.000] Hydraulic systems.....	35.1
[35.104] Fixed displacement pump.....	35.2
[35.300] Reservoir, cooler, and filters.....	35.3
[35.946] Frame positioning lifting	35.4
[35.707] Sorting table system	35.5
[35.706] Fruit repartition system.....	35.6
[35.902] Harvesting hopper hydraulic system	35.7
[35.903] Shaking hydraulic system	35.8

[35.904] Cleaning hydraulic system	35.9
[35.952] Destemmer system	35.10
[35.930] Conveyor receiver system	35.11
Frames and ballasting	39
[39.100] Frame	39.1
Steering.....	41
[41.101] Steering control	41.1
[41.200] Hydraulic control components.....	41.2
Wheels	44
[44.000] Wheels	44.1
Cab climate control	50
[50.100] Heating	50.1
[50.200] Air conditioning	50.2
[50.300] Cab pressurizing system.....	50.3
Electrical systems	55
[55.000] Electrical system	55.1
[55.050] Heating, Ventilation, and Air-Conditioning (HVAC) control system.....	55.2
[55.100] Harnesses and connectors.....	55.3
[55.640] Electronic modules	55.4
[55.924] Cab fruit harvesting controls	55.5
[55.927] Shaking control system	55.6
[55.404] External lighting	55.7
[55.408] Warning indicators, alarms, and instruments	55.8
[55.988] Selective Catalytic Reduction (SCR) electrical system	55.9
[55.302] Battery.....	55.10
[55.101] Chassis harness	55.11
[55.201] Engine starting system	55.12
[55.DTC] FAULT CODES.....	55.13

Fruit harvester shaking	56
[56.301] Shaking control.....	56.1
[56.304] Connecting rods, front plates, and shakers	56.2
[56.305] Adjustable width system	56.3
Attachments/Headers	58
[58.130] Attachment/Header frame.....	58.1
Product feeding	60
[60.320] Fruit harvester conveyor belts.....	60.1
[60.324] Fruit harvester conveyor frame	60.2
[60.304] Noria	60.3
[60.308] Noria frame and guides	60.4
Cleaning	74
[74.200] Upper extractors	74.1
Secondary cleaning/Destemmer	76
[76.200] Sorting table (Opti-grape™).....	76.1
[76.660] Destemmer.....	76.2
Crop storage / Unloading	80
[80.300] Fruit conveying system.....	80.1
Accessories	88
[88.740] Fruit harvester telescopic arm.....	88.1
Platform, cab, bodywork, and decals	90
[90.105] Machine shields and guards	90.1



INTRODUCTION

Foreword

Technical Information

This information in this manual has been structured using a unique coding environment. This is the way in which technical information is created, stored and retrieved in the Technical Information Database. The location (on the machine) has been coded using SAP coding to align locations with the warranty system.

The coding classifies all information in three ways.

The first category is the Location, the second category is the Information Type and the third category is the Product:

- LOCATION - is the component or function on the machine, that the piece of technical information is going to describe e.g., Fuel tank.
- INFORMATION TYPE - is the piece of technical information that has been written for a particular component or function on the machine e.g. Capacity would be a type of Technical Data that would describe the amount of fuel held by the Fuel tank.
- PRODUCT - is the model that the piece of technical information is written for.

Every piece of technical information will have those 3 categories attached to it. You will be able to use any combination of those categories to find the right piece of technical information you need to resolve that customers concern on his machine.

That information could be:

- the description of how to remove the cylinder head
- a table of specifications for a hydraulic pump
- a fault code
- a troubleshooting table
- a special tool

How to Use this Manual

This manual is divided into Sections. Each Section is then divided into Chapters. Contents pages are included at the beginning of the manual, then inside every Section and inside every Chapter. An alphabetical Index is included at the end of a Chapter. Page number references are included for every piece of technical information listed in the Chapter Contents or Chapter Index.

Each Chapter is divided into four Information types:

- Technical Data (specifications) for all the mechanical, electrical or hydraulic devices, components and, assemblies.
- Functional Data (how it works) for all the mechanical, electrical or hydraulic devices, components and assemblies.
- Diagnostic Data (fault codes, electrical and hydraulic troubleshooting) for all the mechanical, electrical or hydraulic devices, components and assemblies.
- Service data (remove disassembly, assemble, install) for all the mechanical, electrical or hydraulic devices, components and assemblies.

This manual contains these sections.

	Contents
INTRODUCTION	
Engine	10
Rear axle system	27
Hydrostatic drive	29
Brakes and controls	33
Hydraulic systems	35
Frames and ballasting	39
Direction	41
Electrical systems	55
Grape harvester shaking	56
Product feeding	60
Cleaning	74
Secondary cleaning / Destemmer	76
Crop storage / Unloading	80
Accessories	88

Your manual contains these Sections. The contents of each Section are explained over the following pages.

Section Contents

Engine — 10

Rear axle system — 27

Hydrostatic drive — 29

Brakes and controls — 33

Hydraulic systems — 35

Frames and ballasting — 39

Direction — 41

Electrical systems — 55

Grape harvester shaking — 56

Product feeding — 60

Cleaning — 74

Secondary cleaning / Destemmer — 76

Crop storage / Unloading — 80

Accessories — 88

Chapters

Each Chapter is identified by a number. e.g., Shaking control 56.301. The first number is identical to the Section number i.e. Chapter 56.301 is inside Section 56, Grape harvester shaking. The Chapter Contents lists all the "Technical Data" (specifications), "Functional Data" (how it works), "Service Data" (remove, install adjust, etc.) and "Diagnostic Data" (fault codes and troubleshooting) that have been written in that Chapter for that function or system on the machine.

The Chapter Index lists in alphabetical order all the types of information (called Information Units) that have been written in that Chapter for that function or system on the machine.

Information Units and Information Search

Each chapter is composed of information units. The coding is not included in the Information Unit title.

Page Header and Footer

The page header will contain the following references:

- Section and Chapter description

The page footer will contain the following references.

Printed references found at the base of each page then equate to

- The publication number for that Manual, Section or Chapter
- Version Reference
- Publication date
- Section , chapter and page reference e.g., 56.301 / 4

Foreword

IMPORTANT INFORMATION

All repair and maintenance operations described in this manual must be carried out exclusively by the New Holland Service network, strictly complying with the instructions provided and using specific tools as required.

Any operator who carries out the operations specified in this document without complying strictly with the instructions provided shall be personally liable for the damages that may result.

The manufacturer and all organizations in its distribution chain, including, without limitation, national, regional, and local dealers, do not accept any liability for damages resulting from a malfunction of parts and/or components not approved by the manufacturer and used for maintenance operations and/or repair of products manufactured or marketed by the manufacturer. In no case is a warranty granted to the product manufactured or marketed by the manufacturer in case of damage caused by improper operation of parts and/or components not approved by the manufacturer.

No reproduction, partial or complete, of the text or illustrations is permitted.

Foreword

Meaning of serial numbers

Machine serial number

H A G	00	710	E	00	001	001
-------	----	-----	---	----	-----	-----

(a)	(b)	(c)	(d)	(e)	(f)	(g)
-----	-----	-----	-----	-----	-----	-----

COIL15GR01554SA 1

- (a). COEX code
- (b). Free
- (c). Family
710 = 7030M
730 = 8030L
670 = 9040M
680 = 9040L
690 = 9060L, 9080L, 9090L
700 = 9090X, 9090X Plus
- (d). Code letter
- (e). Free
- (f). PIN
- (g). Machine number



CNH INDUSTRIAL FRANCE		NEW HOLLAND AGRICULTURE	
Type	Equipement	16-18 Rao Des Rochettes 91150 MORIGNY CHAMPIGNY CEDEX	
Version	Type moteur	FRANCE	
Product ID Number (PIN)		Model	Power
Power take-off (PTO)		Number of gears	Number of shafts
Power take-off (PTO) 1		Actual net power	Length
Power take-off (PTO) 2		Number of shafts	Width
Power take-off (PTO) 3		PTO	Height
Maximum length (mm)		Model Year	
Weight (without operator)		Year of construction	
Weight (with operator)		Maximum PTO	

COIL15GR02039TA 2



SERVICE MANUAL

Engine

Compact TIER 4B

Engine - Remove

⚠ WARNING

Hot surface possible!
Wait for all components to cool before performing any operation.
Failure to comply could result in death or serious injury.

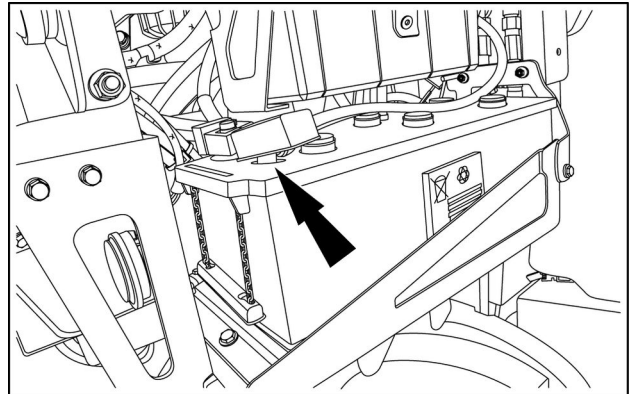
W0251A

Prior operation:

Remove the cooling pack assembly, see **Engine cooling system - Remove (10.400)**.

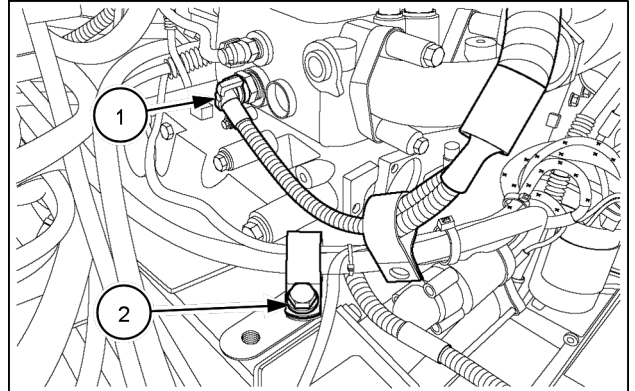
NOTICE: Emissions sensors mounted in the exhaust stream are sensitive to extreme vibrations. Use of tools that generate extreme vibrations, such as impact wrenches and hammers, will result in damage to emission sensors. Avoid using these tools during any service procedure in close proximity of emission sensors. If the use of these tools cannot be avoided, remove the sensors using extreme caution prior to performing any service procedure.

1. Disconnect the negative (-) terminal from machine's battery.



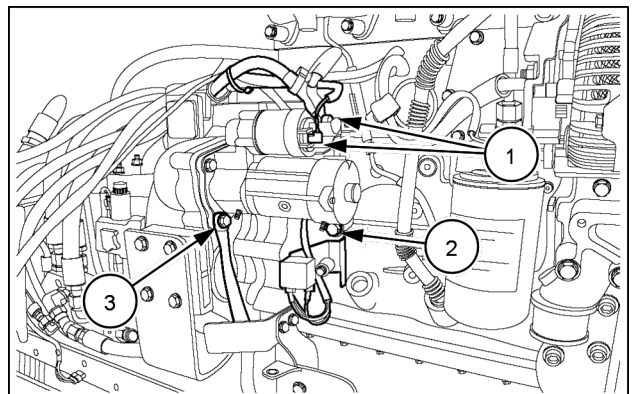
COIL15GR00843AA 1

2. 1. Detach the clamp (2).
2. Remove the cooling pipe (1).



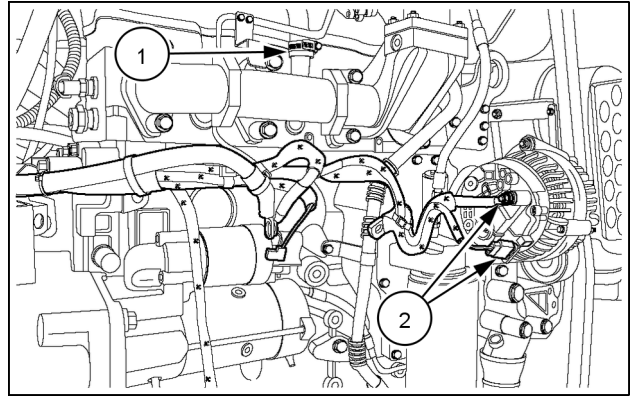
COIL14GR00223AC 2

3. 1. Disconnect the starter motor electrical connectors (1).
2. Detach the relay bracket (2).
3. Disconnect the earth strap (3).



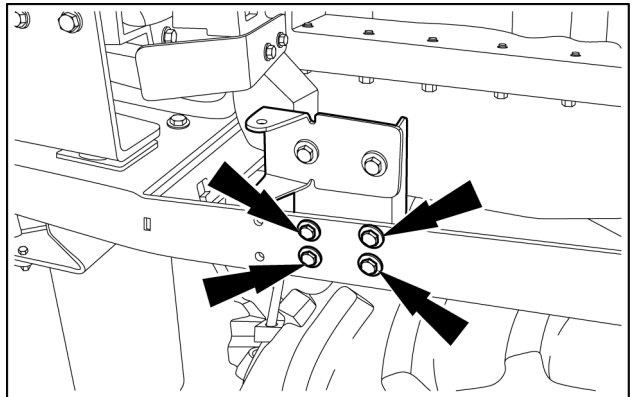
COIL14GR00224AC 3

4. 1. Disconnect the generator electrical connectors **(2)**.
2. Reposition the wiring harness to one side.
3. Disconnect the coolant hose **(1)**.



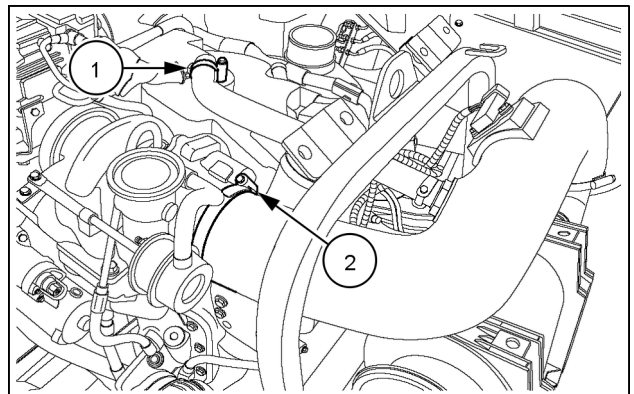
COIL14GR00225AC 4

5. Remove the engine side panel retaining bracket.



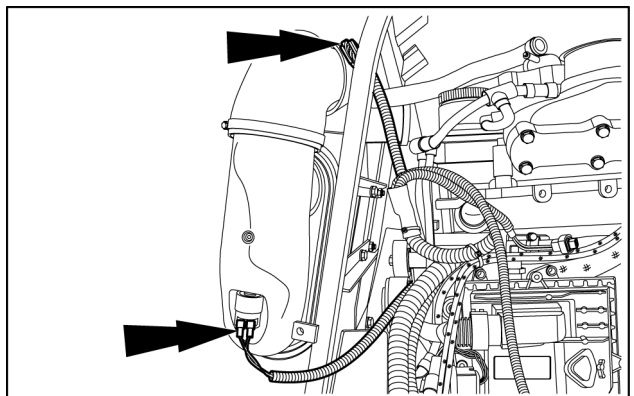
COIL14GR00226AB 5

6. 1. Disconnect the engine breather hose **(1)**.
2. Disconnect the turbo supply hose **(2)**.



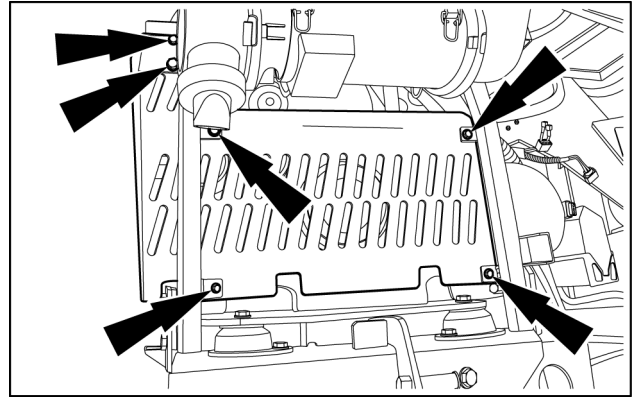
COIL14GR00227AC 6

7. Disconnect the air intake sensors electrical connectors.



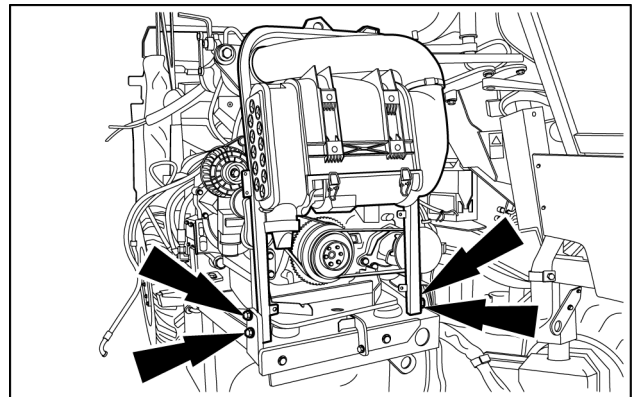
COIL14GR00228AB 7

8. Remove the drive belt shield.



COIL14GR00229AB 8

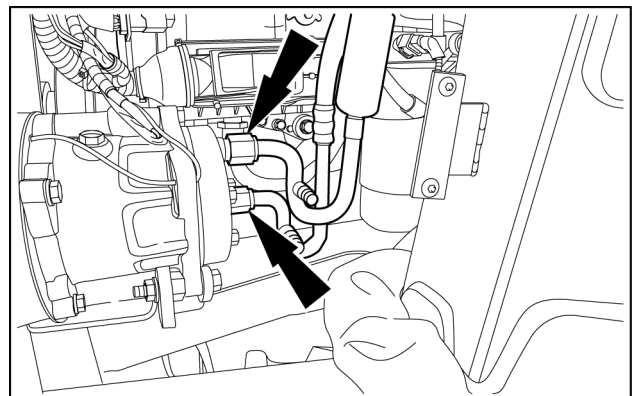
9. 1. With the aid of another person, support the air filter and frame assembly.
2. Remove the air filter and frame assembly.



COIL14GR00230AB 9

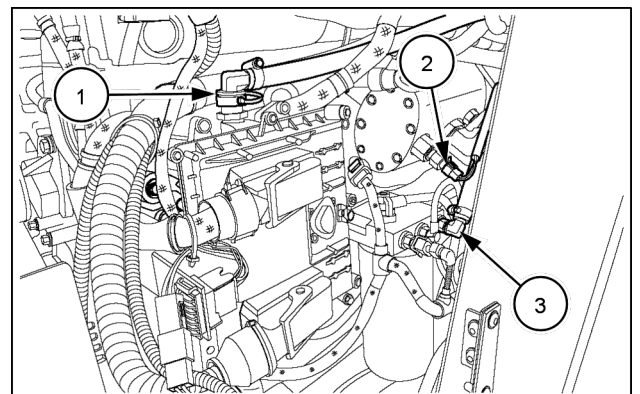
10. Disconnect the air conditioning compressor pipes.

NOTICE: Seal all open air conditioning connections with clean blanking caps.



COIL14GR00231AB 10

11. 1. Disconnect the Engine Control Unit (ECU) fuel/cooling pipe (1).
2. Disconnect the electrical connector (2).
3. Disconnect the fuel filter housing fuel hose (3).



COIL14GR00232AC 11



Suggest:

If the above button click is invalid.

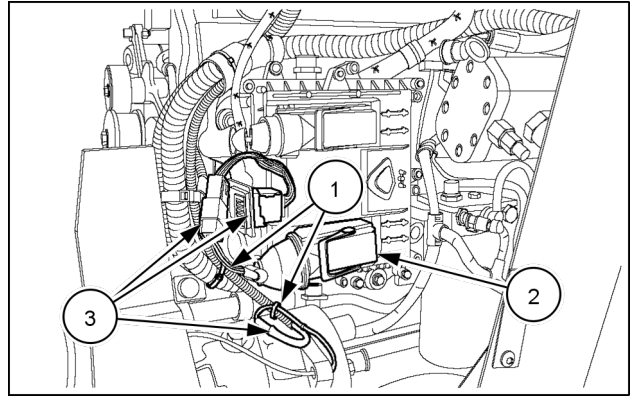
Please download this document

first, and then click the above link

to download the complete manual.

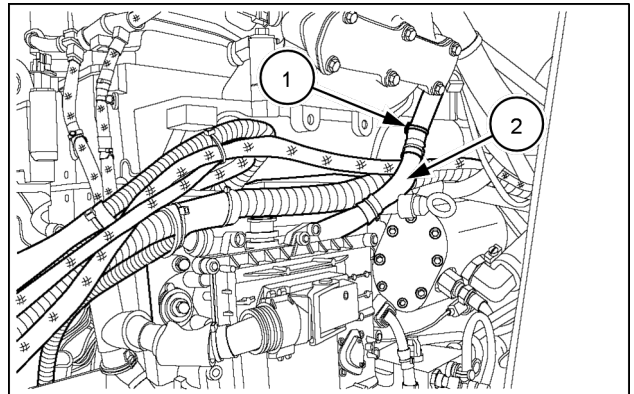
Thank you so much for reading

12. 1. Cut the cable ties **(1)**.
2. Disconnect the ECU lower connector **(2)**.
3. Disconnect the electrical connectors **(3)**.



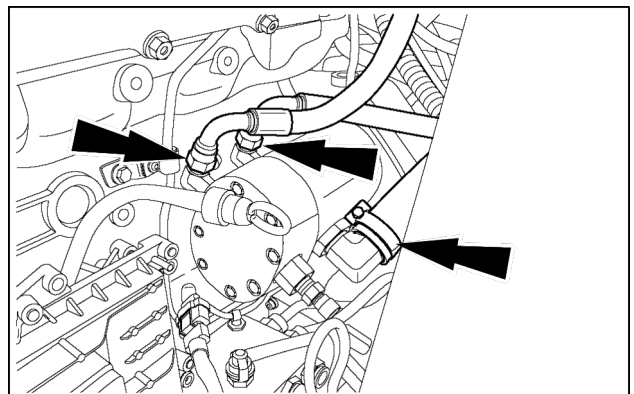
COIL14GR00233AC 12

13. 1. Cut the cable tie **(1)**.
2. Re-position the wiring harness **(2)**.



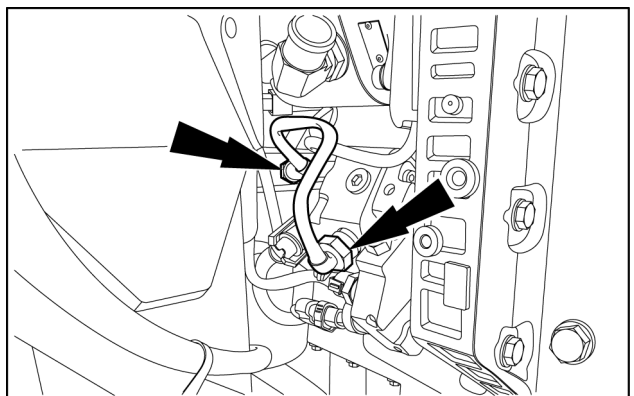
COIL14GR00234AC 13

14. Disconnect the tandem pump hydraulic hoses.



COIL14GR00235AC 14

15. Remove the fuel pipe.



COIL14GR00236AB 15

<https://www.ebooklibonline.com>

Hello dear friend!

Thank you very much for reading.

Enter the link into your browser.

The full manual is available for immediate download.

<https://www.ebooklibonline.com>