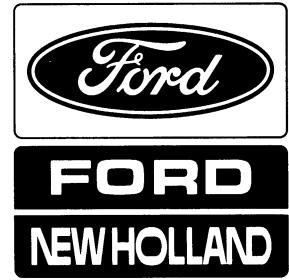


FORD



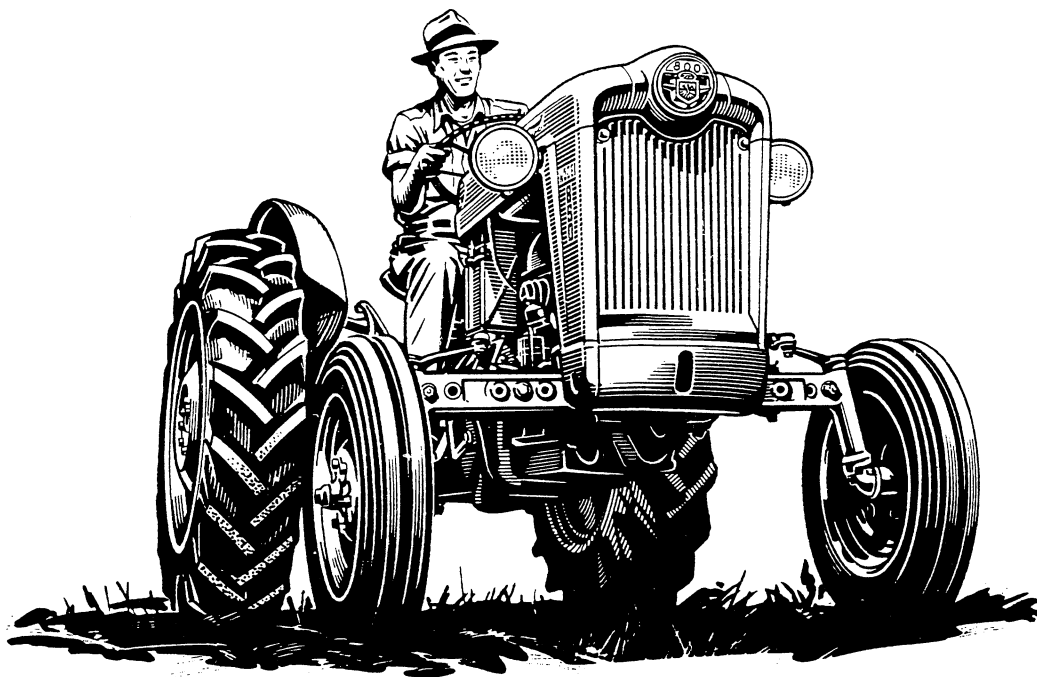
Service Manual

Tractor Series

600, 700, 800, 900, 501,
601, 701, 801, 901, 1801,
2000, and 4000

1954 – 1964

40060090



Reprinted

TABLE OF CONTENTS

Part ONE—POWER PLANT

Chapter I—ENGINE

Section	Page	Section	Page
1 Engine Removal and Installation— Series 501 through 901	1	6 Main Bearings, Balancer, Flywheel, and Crankshaft	32
2 Engine Removal and Installation—Series 1801	8	7 Engine Governor and Timing Gear Cover	39
3 Cylinder Head and Valves	12	8 Camshaft and Camshaft Gear	41
4 Oil Pan, Oil Pump, and Oil Filter	20	9 Engine Tune-Up	43
5 Connecting Rods, Bearings, Pistons, Rings, and Cylinder Block	25	10 Trouble Shooting	46
		11 Specifications	52
		12 Special Tools	57

Chapter II—ELECTRICAL SYSTEM

Section	Page	Section	Page
1 Battery	60	5 Manifold Heaters, Relay and Electrical Circuit—DIESEL	75
2 Generator and Charging Circuit	61	6 Trouble Shooting	76
3 Starting Motor, Solenoid and Starting Circuit	69	7 Specifications	82
4 Lamps and Lighting Circuit	73	8 Special Tools	82

Chapter III—IGNITION SYSTEM

Section	Page	Section	Page
1 Ignition Switch	83	5 Trouble Shooting	92
2 Spark Plugs and Ignition Wires	84	6 Specifications	95
3 Coil	84	7 Special Tools	96
4 Distributor	85		

Chapter IV—FUEL AND EXHAUST SYSTEM—GASOLINE

Section	Page	Section	Page
1 Air Cleaner	97	5 Trouble Shooting	107
2 Carburetor	99	6 Specifications	108
3 Fuel Tank, Sediment Bowl and Lines	103	7 Special Tools	108
4 Manifold, Muffler, and Exhaust Pipe	104		

Chapter V—FUEL AND EXHAUST SYSTEM—DIESEL

Section	Page	Section	Page
1 Air Cleaner	109	7 Fuel Injection Pump	118
2 Fuel Tank	110	8 Manifold, Muffler, and Outlet Pipe	120
3 Bleeding and Flushing the Fuel System	110	9 Trouble Shooting	122
4 Idle and High Speed Adjustments	111	10 Specifications	124
5 Fuel Filter	112	11 Special Tools	124
6 Fuel Injectors	113		

Chapter VI—FUEL AND EXHAUST SYSTEM—LP-GAS

Section	Page	Section	Page
1 Construction.....	125	7 Fuel Filter.....	139
2 Principles of Operation.....	128	8 Pressure Regulators and Vaporizer.....	140
3 Handling of LP-Gas.....	130	9 Trouble Shooting.....	148
4 Air Cleaner.....	131	10 Specifications.....	149
5 Carburetors.....	131	11 Special Tools.....	149
6 Fuel Tank, Valves and Lines.....	137		

Chapter VII—COOLING SYSTEM

Section	Page	Section	Page
1 Care of the Cooling System.....	150	5 Fan and Generator Belt.....	155
2 Radiator, Hose, and Pressure Cap.....	151	6 Trouble Shooting.....	155
3 Water Pump.....	153	7 Specifications.....	157
4 Thermostat.....	154	8 Special Tools.....	157

Part TWO—CLUTCH, TRANSMISSIONS, REAR AXLE, AND POWER TAKE-OFF

Chapter I—CLUTCH

Section	Page	Section	Page
1 Single Clutch.....	158	5 Clutch Pedal Adjustment.....	165
2 Double Clutch.....	161	6 Trouble Shooting.....	166
3 Clutch Release Shaft Bushings.....	165	7 Specifications.....	166
4 Clutch Pedal Bushings.....	165	8 Special Tools.....	167

Chapter II—TRANSMISSIONS

Section	Page	Section	Page
1 Removal and Installation.....	168	7 Description and Operation	
2 Cleaning and Inspection—		Select-O-Speed Transmission.....	197
All except Select-O-Speed.....	170	8 Maintenance and Adjustments.....	217
3 Four Speed Transmission.....	170	9 Transmission Overhaul.....	224
4 Five Speed Transmission.....	177	10 Trouble Shooting—Select-O-Speed Transmission.....	249
5 Sherman Step-Up and Step-Down Transmission.....	188	11 Specifications.....	254
6 Sherman Reversing Transmission.....	193	12 Special Tools.....	257

Chapter III—REAR AXLE

Section	Page	Section	Page
1 General Purpose and Industrial Tractors.....	258	4 Specifications.....	272
2 Row Crop Tractors.....	266	5 Special Tools.....	272
3 Center Housing Replacement.....	270		

Chapter IV—POWER TAKE-OFF

Section	Page	Section	Page
1 Power Take-Off.....	273	4 Specifications.....	281
2 Power Take-Off Conversion Assembly.....	277	5 Special Tools.....	281
3 Belt Pulley.....	278		

<https://www.ebooklibonline.com>

Hello dear friend!

Thank you very much for reading.

Enter the link into your browser.

The full manual is available for immediate download.

<https://www.ebooklibonline.com>

Part THREE—STEERING, FRONT AXLE, BRAKES, WHEELS AND TIRES

Chapter IA—POWER STEERING—GENERAL PURPOSE TRACTORS

Section	Page	Section	Page
1 Construction and Operation.....	282	5 Power Cylinder.....	299
2 Drag Link.....	287	6 Trouble Shooting.....	300
3 Power Steering Pump—Sleeve Type.....	288	7 Specifications.....	300
4 Control Valve and Steering Gear.....	292	8 Special Tools.....	300

Chapter IB—POWER STEERING—ROW CROP TRACTORS

Section	Page	Section	Page
1 Construction and Operation.....	301	5 Power Cylinder and Control Valve Assembly.....	316
2 Drag Link.....	306	6 Trouble Shooting.....	322
3 Power Steering Pump—Rotor Type.....	307	7 Specifications.....	322
4 Steering Gear.....	310	8 Special Tools.....	322

Chapter IC—POWER STEERING—INDUSTRIAL TRACTORS

Section	Page	Section	Page
1 Construction and Operation.....	323	5 Control Cable and Conduit Assembly.....	336
2 Power Steering Pump.....	327	6 Trouble Shooting.....	338
3 Power Cylinder and Valve End Assembly.....	329	7 Specifications.....	340
4 Actuator Housing.....	334	8 Special Tool.....	340

Chapter II—FRONT AXLE

Section	Page	Section	Page
1 General Purpose Front Axle— Standard and Heavy Duty.....	341	5 Industrial Front Axle.....	355
2 Row Crop Front Axles.....	346	6 Specifications.....	360
3 Row Crop Pedestal.....	348	7 Trouble Shooting.....	361
4 Row Crop Wide Adjustable Front Axle.....	353	8 Special Tools.....	361

Chapter III—BRAKES

Section	Page	Section	Page
1 Brake Adjustment.....	362	3 Brake Camshaft.....	366
2 Pedals, Shafts and Brake Rods.....	363	4 Brake Overhaul.....	366

Chapter IV—WHEELS AND TIRES

Section	Page	Section	Page
1 Wheel Bearing.....	368	4 Tires.....	377
2 Wheel Spacing—Tread Width.....	368	5 Specifications.....	378
3 Wheel Weights.....	374	6 Special Tools.....	379

Part FOUR—HYDRAULIC SYSTEM

Chapter I—OPERATING PRINCIPLES

Section	Page
1 Operating Principles.....	381

Chapter II—ADJUSTMENTS, COMPONENT PARTS, TROUBLE SHOOTING AND SPECIAL TOOLS

Section	Page	Section	Page
1 Hydraulic Control Adjustment.....	387	6 Pump Relief Valve and Oil Tubes.....	408
2 Leveling Box.....	388	7 Trouble Shooting.....	409
3 Lift Cover.....	389	8 Specifications.....	414
4 Lift Cylinder.....	394	9 Special Tools.....	414
5 Hydraulic Pump and Manifold.....	396		

Part FIVE—MAINTENANCE AND LUBRICATION

Section	Page	Section	Page
1 Maintenance.....	415	2 Lubrication.....	415

Part ONE
POWER PLANT

Chapter
I
Engine

Section	Page
1 Engine Removal and Installation—Series 501 through 901	1
2 Engine Removal and Installation—Series 1801	8
3 Cylinder Head and Valves	12
4 Oil Pan, Oil Pump and Oil Filter	20
5 Connecting Rods, Bearings, Pistons, Rings and Cylinder Block	25
6 Main Bearings, Balancer, Flywheel and Crankshaft	32
7 Engine Governor and Timing Gear Cover	39
8 Camshaft and Camshaft Gear	41
9 Engine Tune-Up	43
10 Trouble Shooting	46
11 Specifications	52
12 Special Tools	57

1. ENGINE REMOVAL AND INSTALLATION—SERIES 501 THROUGH 901

There are three different size engines used in Ford Tractors. The smallest engine of the three has a 134 cubic inch displacement and is available as a gasoline or LP-Gas model. The next larger size has a 144 cubic inch displacement and is available only as a diesel model. The largest of the three has a 172 cubic inch displacement and models are available for gasoline, LP-Gas or diesel operation.

All Ford Tractor engines are of the four cylinder, four cycle, overhead valve type.

When necessary to remove or install an engine, refer to the specific series tractor involved.

PREPARING THE TRACTOR

A. Series 501-701-901 Gasoline or LP-Engines

1. Disconnect the battery ground strap.
2. Drain the radiator, cylinder block, crankcase and the hydraulic system.
3. On tractors equipped with Select-O-Speed transmission, carefully drive the roll pin out of the P.T.O. control handle as shown in Figure 1. Remove the handle, nut and washer that attaches the control cable housing to the right rear side of the hood.

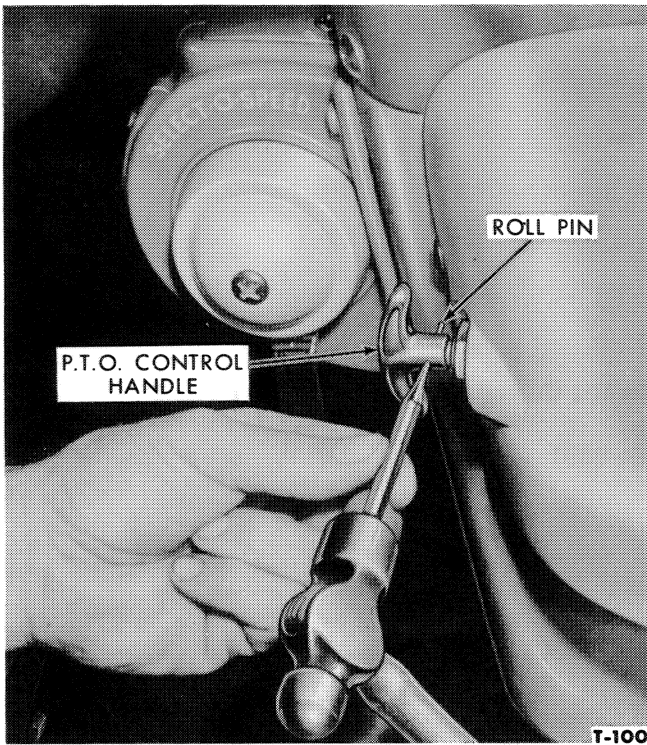


Figure 1—Removing P.T.O. Control Handle

4. Disconnect the bullet type connector adjacent to the headlamp switch on the right side of the hood rear lower panel, see Figure 2. Disconnect the fuel gauge wire from the fuel tank gauge.
5. Remove the bolts and screws that attach the hood to the rear lower panel and the instrument panel. Remove the grille from the front of the hood. Remove the two bolts from each hood side front lower panel flange.

501 Series Tractor: Loosen the three bolts that attach the steering shaft support to the transmission to provide clearance for removing the hood.

6. Loosen the clamps that secure the air cleaner tube to the carburetor and the air cleaner. Remove the air cleaner tube.
7. With an assistant, carefully lift the hood from the tractor.

NOTE: *On tractors equipped with a Select-O-Speed transmission, make certain that the P.T.O. control cable is clear of the hood.*

8. Remove the two air cleaner attaching screws and remove the air cleaner. Remove the bolt that attaches the fuel tank support to the left side of the battery support. On tractors equipped with power steering, disconnect the adjusting link from the pump. Remove the two bolts that

attach the muffler outlet pipe front support to the fuel tank front support bracket.

Gasoline Engine: Turn the fuel tank shut-off valve clockwise as far as possible to close it. Disconnect the fuel line at the fuel filter, see Figure 3. Remove the bolts that attach the fuel tank support brackets to the cylinder block. Remove the one nut that attaches the fuel tank front support bracket to the cylinder block. With an assistant, carefully lift the fuel tank and brackets from the tractor.

LP-Gas Engine: Turn the fuel withdrawal valves to the closed position. Disconnect the flexible hose at the vaporizer inlet connection. Disconnect the water temperature gauge line and the oil pressure gauge line from the cable clip bracket at the right rear side of the fuel tank. Remove the four bolts that attach the fuel tank support brackets to the cylinder block. With an assistant, carefully lift the tank, heat shields and support brackets from the tractor.

B. Series 501-701-901 Diesel Engine

1. Disconnect the battery ground strap.
2. Drain the radiator, cylinder block, crankcase and the hydraulic system.
3. On a tractor equipped with Select-O-Speed transmission, carefully drive the roll pin out of the P.T.O. control handle as shown in Figure 1. Remove the handle, nut and washer that attaches the control cable housing to the right rear side of the hood.
4. Disconnect the bullet type connector adjacent to the headlamp switch on the right side of the hood rear lower panel, see Figure 2. Disconnect the fuel gauge wire from the fuel tank gauge.
5. Remove the bolts and screws that attach the hood to the rear lower panel and the instrument panel. Remove the grille from the front of the hood. Remove the bolts from each side of the hood lower panel flange. With an assistant, carefully lift the hood from the tractor.

NOTE: *On a tractor equipped with a Select-O-Speed transmission, make certain that the P.T.O. cable is clear of the hood.*

6. Loosen the clamp that connects the air cleaner tube to the air cleaner. Disconnect the clamp that attaches the air cleaner tube to the bracket on the left side of the hood rear lower panel and remove the tube. If the engine is equipped with a pre-cleaner, remove the vertical stack in place of the tube.

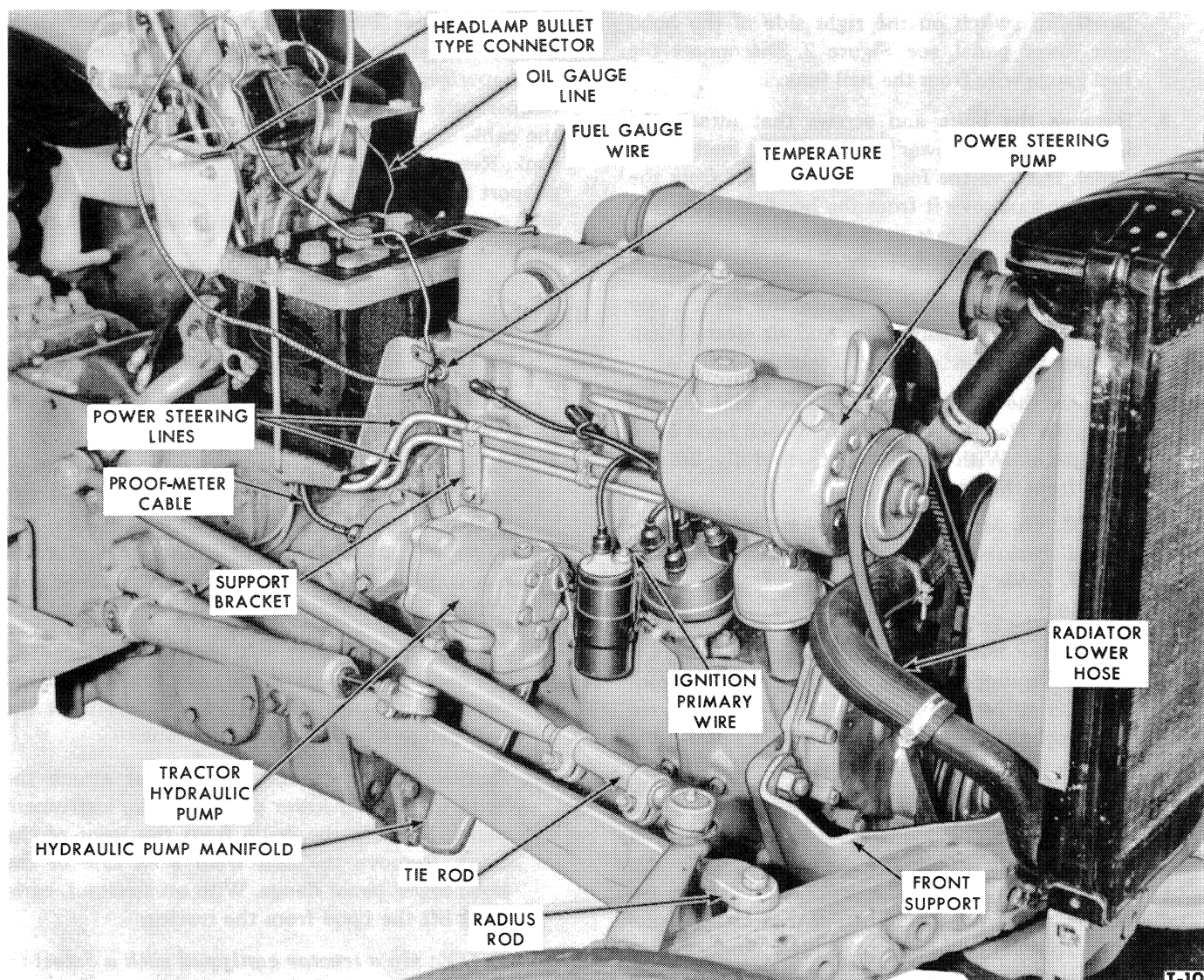


Figure 2—Right Side of Engine

7. On a tractor equipped with power steering, disconnect the adjusting link from the pump. Remove the two bolts that attach the muffler outlet pipe front support to the fuel tank front support bracket.
8. Turn the fuel tank shut-off valve clockwise as far as possible to close it. Disconnect the fuel line from the tank and from the fuel filter. Disconnect the excess fuel return line from the forward end of the fuel tank and from the "T" connection on the right side of the cylinder block.
9. Place a piece of wood across the top of the battery to prevent the fuel tank from accidentally contacting the battery posts. Remove nut and lock washer that attaches the fuel tank front support to the cylinder block. Remove the four fuel tank support attaching bolts. With an assis-

tant, carefully lift the fuel tank and support brackets from the tractor.

10. Remove the battery from the battery tray.

C. Series 601-801 Gasoline Engine

1. Disconnect the battery ground strap.
2. Drain the radiator, cylinder block, crankcase and the hydraulic system.
3. On tractors equipped with a Select-O-Speed transmission, carefully drive the roll pin out of the P.T.O. control handle as shown in Figure 1. Remove the handle, nut and washer that attaches the control cable housing to the right rear side of the hood.
4. Disconnect the bullet connector adjacent to the

headlamp switch on the right side of the hood rear lower panel, see Figure 2. Disconnect the fuel gauge wire from the fuel tank.

5. Remove the bolts and screws that attach the hood to the rear lower panel and the instrument panel. Remove the four attaching bolts from the grille and remove it from the hood. Remove the two hood front lower panel attaching screws and remove the panel (801 series only).
6. Loosen the clamps that secure the air cleaner tube hoses to the carburetor and air cleaner then remove the tube.
7. Remove the grille attaching screws and remove the grille. Remove the bolt from each hood front side panel. With an assistant, carefully lift the hood from the tractor.

NOTE: *On tractors equipped with a Select-O-Speed transmission, make certain that the P.T.O. cable is clear of the hood.*

8. Remove the bolt that attaches the fuel tank support to the left side of the battery support. On tractors equipped with power steering, disconnect the adjusting link from the pump. Remove the two bolts that attach the muffler outlet pipe front support to the fuel tank support bracket.

Gasoline Engine: Turn the fuel tank shut-off valve clockwise as far as possible to close it. Disconnect the fuel line at the fuel filter, see Figure 3. Remove the bolts that attach the fuel tank support bracket to the cylinder block. Remove the one nut that attaches the fuel tank front support bracket to the cylinder block. With an assistant, carefully lift the fuel tank and support brackets from the tractor.

LP-Gas Engine: Turn the fuel withdrawal valves to the closed position. Disconnect the flexible hose at the vaporizer inlet connection. Disconnect the water temperature gauge line and the oil pressure line from the cable clip bracket at the right rear side of the fuel tank. Remove the four bolts that attach the fuel tank support brackets to the cylinder block. With an assistant, carefully lift the tank, heat shields and support brackets from the tractor.

D. Series 601-801 Diesel

1. Disconnect the battery ground strap.
2. Drain the radiator, cylinder block, crankcase and the hydraulic system.
3. On a tractor equipped with Select-O-Speed transmission, carefully drive the roll pin out of the P.T.O. control handle as shown in Figure 1. Remove the handle, nut and washer that attaches the control cable housing to the right rear side of the hood.

4. Disconnect the bullet type connector adjacent to the headlamp switch on the right side of the hood rear lower panel, see Figure 2. Disconnect the fuel gauge wire from the fuel tank.
5. Remove the bolts and screws that attach the hood to the rear lower panel and the instrument panel. Remove the grille from the front of the hood. Remove the bolt from each side of the hood lower panel flange. With an assistant, carefully lift the hood from the tractor.

NOTE: *On a tractor equipped with a Select-O-Speed transmission, make certain that the P.T.O. cable is clear of the hood.*

6. Loosen the clamp that connects the air cleaner tube to the air cleaner. Disconnect the clamp that attaches the air cleaner tube to the bracket on the left side of the hood lower panel and remove the tube.
7. On a tractor equipped with power steering, disconnect the adjusting link from the pump. Remove the two bolts that attach the muffler outlet pipe front support to the fuel tank front support bracket.
8. Turn the fuel tank shut-off valve clockwise as far as possible to close it. Disconnect the fuel line from the tank and from the filter. Disconnect the excess fuel return line from the forward end of the fuel tank and from the "T" connection on the right side of the cylinder block.
9. Place a piece of wood across the top of the bat-

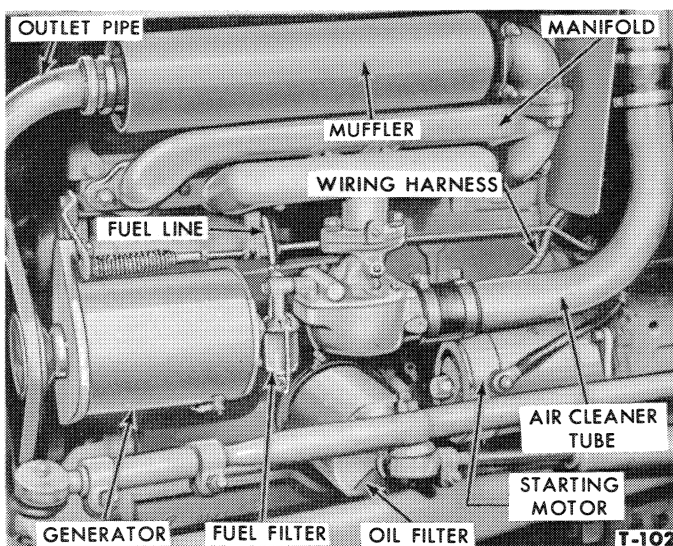


Figure 3—Left Side of Engine

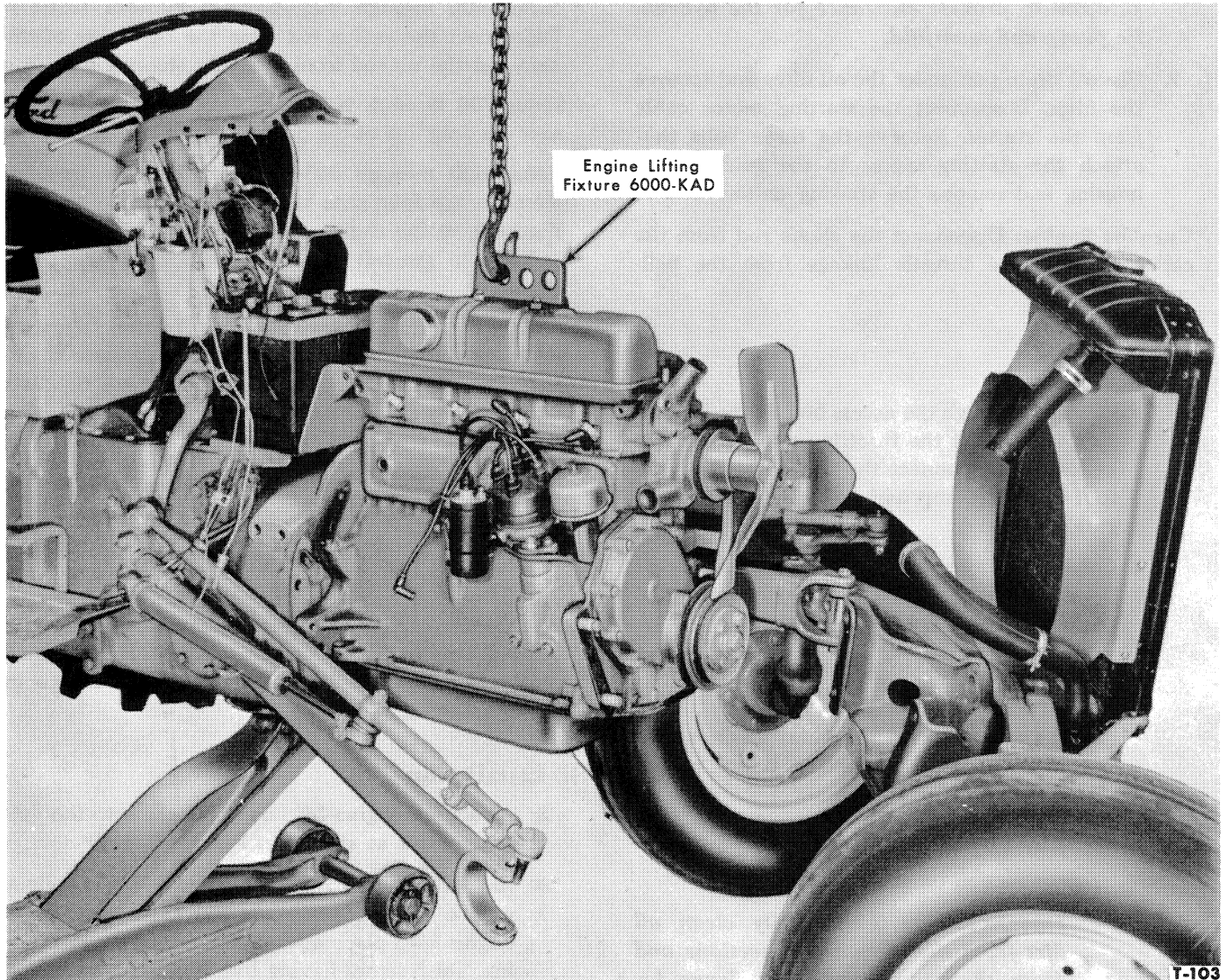


Figure 4—Removing Engine

tery to prevent the fuel tank from accidentally contacting the battery posts. Remove the nut and lock washer that attaches the fuel tank front support to the cylinder block. Remove the four fuel tank support attaching bolts. With an assistant, carefully lift the fuel tank and support brackets from the tractor.

10. Remove the battery from the battery tray.

ENGINE REMOVAL AND INSTALLATION

A. Engine Removal

Power Steering: Disconnect the two hydraulic lines that connect the pump to the steering gear as shown in Figure 2. Remove the bolt that attaches the power steering hydraulic lines support bracket to the valve

cover. Disconnect the spark plug wires from the plugs. Remove the bolts, attaching the power steering pump mounting bracket to the cylinder block and water outlet connection. Remove the pump, mounting bracket and the two hydraulic lines as an assembly.

1. Disconnect the temperature gauge unit from the engine. Disconnect the radiator hoses from the engine. Disconnect the Proof-Meter cable from the hydraulic pump. Disconnect the primary wire from the ignition coil. Place a drain pan under the hydraulic pump and manifold assembly. Remove the five bolts that attach the pump and manifold to the engine and transmission and remove as an assembly. Disconnect the oil gauge line from the fitting in the cylinder block.

NOTE: Row Crop Models: Remove the right

side rail to provide clearance for the hydraulic pump and manifold.

2. Place a drain pan under the oil filter and remove the filter. Disconnect the starting motor cable from the starter. Remove the three bolts that attach the starting motor to the transmission housing and remove the starting motor.

Gasoline Engine: Disconnect the choke rod from the carburetor and the throttle linkage from the bellcrank.

Diesel Engines:

- a. Working through the access hole in the battery tray, disconnect the throttle linkage from the bellcrank. Disconnect the rod connecting the fuel injector pump and bellcrank at the bellcrank.
- b. Loosen the two battery rear support bolts. Pivot the tray upwards and back, then tighten the bolts to hold it in this position.
- c. Remove the fuel injection pump and fuel filter as follows:

- (1) Remove the two nuts and washers that attach the fuel injection pump to the mounting flange. Disconnect the pressure lines from the injectors and the excess fuel return from the rear of the "T" connection on the cylinder head.

IMPORTANT: *Thoroughly clean all dirt from the injector connections and from the pump mounting flange before disconnecting.*

Cap the injector inlets and lines to prevent dirt from entering. Minute particles of dirt can cause malfunction of the injectors as well as seizure of the pump.

- (2) Remove the two bolts that attach the fuel filter bracket to the cylinder head. Place a drain pan under the injection pump. Lift the injection pump with drive shaft, pressure lines and fuel filter from the engine as a unit.

IMPORTANT: *When removing the injection pump, make certain that the shaft remains in the pump to prevent fuel from leaking down into the crankcase.*

3. Install an engine lifting hook or chain to support the engine.

Series 600 through 801—General Purpose Tractors: Disconnect the radius rod from the right side of the axle and the tie rod from the right steering arm.

Series 700 through 901—Row Crop Tractors: Disconnect the drag link at the pedestal.

Series 600 through 801—General Purpose Tractors: Remove the four nuts that attach the axle support, Figure 2, to the engine. Carefully swing the axle and radiator to the left side of the tractor as shown in Figure 4.

Series 700 through 901—Row Crop Tractors: Remove the radiator. Remove the two bolts that attach the left side rail to the transmission. Remove the bolt that attaches the pedestal to the engine. Remove the pedestal and side rail as an assembly.

CAUTION: *Make certain that the pedestal is firmly supported before removing it from the engine.*

Remove the muffler and muffler outlet pipe from the manifold as an assembly.

4. Remove the engine-to-transmission attaching bolts. Carefully lift the engine away from the transmission as shown in Figure 4. Mount the engine in an engine stand.

B. Installation

1. Attach an engine lift hook or a chain to the cylinder head as shown in Figure 4.
2. Align the hub of the clutch disc with the splines on the transmission input shaft, then move the engine into place against the transmission housing. On tractors having live P.T.O. clutches, the P.T.O. shaft at the rear of the center housing should be turned slowly to engage the splines with the clutch discs.
3. Secure the engine to the transmission with two bolts at each side of the housing. Install the muffler and outlet pipe in place on the manifold, see Figure 3.

Series 600 through 801—General Purpose Tractors: Swing the axle support into place on the engine. Make certain that the radius rod is in place on the axle then install the four nuts that attach the front support to the engine, see Figure 2. Install the radius rod to axle attaching bolt. Connect the tie rod to the steering arm.

Series 700 through 901—Row Crop Tractors: Carefully move the pedestal and side rail assembly into position and install pedestal to engine mounting nut finger tight. Install the left side rail to transmission attaching bolts then tighten the pedestal to engine mounting

nut. Install the radiator and connect the drag link to the steering spindle arm. Connect the radiator upper and lower hoses.

4. Install the remaining engine-to-transmission retaining bolts. Remove the engine lifting sling and the jack from under the transmission.
5. Connect the oil pressure gauge line to the fitting on the right side of the cylinder block. Using new "O" rings, install the hydraulic pump and manifold on the engine.

Series 700 through 901 (Row Crop) Tractors: Install the right side rail.

6. Connect the water temperature gauge line to the engine. Connect the Proof-Meter cable to the hydraulic pump, see Figure 2.

Diesel Engines: Loosen the battery rear support bolts and lower the tray into position, then tighten the bolts. Working through the opening in the battery tray, connect the throttle control rod between the injector pump and the bellcrank. Connect the rod from the throttle control lever arm to the bellcrank. Install the battery and connect the negative cable only.

7. Position the wiring harness, see Figure 3, in the attaching clips on the cylinder block and connect the three wires to the generator.

Gasoline Engine: Connect the choke control rod to the carburetor and the throttle rod to the bellcrank. Connect the primary wire to the ignition coil.

8. Position the starting motor on the engine rear cover plate and secure with three bolts.

NOTE: *Make sure the choke control rod bracket is in place when installing the starting motor inner attaching bolt (gasoline engine only).*

Connect the starting motor cable to the starting motor.

9. Install a new oil filter or cartridge.
10. On a tractor equipped with power steering, hold the pump and lines in place on the engine and install the two pump mounting bolts. Connect the two hydraulic lines to the steering gear (600 through 801 Series). Connect the hydraulic line bracket to the valve cover with the attaching bolt, see Figure 2.
11. Install the fan belt and adjust the generator to permit $\frac{1}{4}$ " deflection of the belt.
12. Position the power steering drive belt over the

crankshaft pulley and over the power steering pump pulley.

13. Place a piece of wood across the top of the battery to prevent the fuel tank from accidentally contacting the battery posts. With an assistant, carefully lift the fuel tank and supports into place on the engine then install the nut and lock washer that secures the front support to the cylinder block. Install the four attaching bolts. Connect the fuel line to the fuel filter. Open the fuel shut-off valve.

NOTE: *If the engine is equipped with power steering, the right front fuel tank support bolt also connects to the power steering pump bracket.*

If equipped with power steering, connect the power steering pump adjusting link to the pump. Adjust the turnbuckle to obtain $\frac{1}{4}$ " belt deflection midway between the pulleys.

Diesel Engine:

- a. Make certain that the fuel injection pump drive gear and the flywheel are properly positioned as detailed in Chapter V.
- b. Position the fuel injection pump, fuel filter and pressure lines into place as an assembly. Install the two injection pump attaching nuts and washers. Install the fuel filter attaching bolts.
- c. Carefully remove the caps from the injectors and pressure lines. Connect each pressure line to its respective injector. Connect the excess fuel line to the "T" connection in the cylinder head. Connect the other end of the excess fuel line to the fitting in the forward end of the fuel tank.

14. With an assistant, carefully lift the hood into position on the tractor. Install all of the attaching nuts, bolts and screws. Install the grille. Connect the headlamp wiring.

Select-O-Speed Tractors: Connect the P.T.O. cable to the hood and install the P.T.O. control handle, see Figure 1.

15. Fill the hydraulic system to the proper level. Fill the crankcase to the proper level with the recommended oil. Fill the cooling system with water or the required anti-freeze.
16. Start the engine and check for oil and water leaks.

Gasoline and LP-Gas Engines: Adjust the ignition timing and carburetor as required.

2. ENGINE REMOVAL AND INSTALLATION—SERIES 1801

The removal procedure for the gasoline engine and diesel engine is very similar. Whenever a variation occurs, the procedure for both engines will be explained in the text.

A. Removal

1. Drain the coolant from the radiator, and cylinder block, the oil from the crankcase and the hydraulic oil from the center housing. Disconnect the battery ground cable, the positive (negative on diesel models) battery cable.

NOTE: Do not drain the hydraulic oil from the reservoir.

2. Disconnect the headlamp wire from the bullet type connector located at the rear of the right hood panel and from the connector located in the hydraulic reservoir area at the front of the hood.
3. Remove the six Phillips head screws, nuts, lock washers, flat washers and insulators from the front of the hood. Remove the Phillips head screws from the rear of the hood. Remove the bolts from the underside of the hood panels. Working through the hood opening, remove the nuts and lock washers that attach the hood to the top rear panel. With an assistant, carefully lift the hood from the tractor.
4. Remove the air cleaner tube. Remove the air cleaner attaching bolts and the air cleaner. On diesel engines, remove the air cleaner tube only.

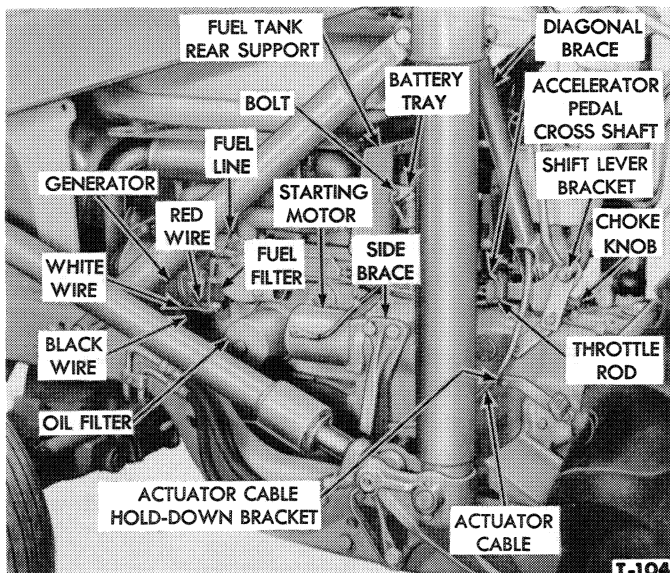


Figure 5—Left Side of Engine

Remove the bolt that attaches the battery tray to the left side of the fuel tank rear support, see Figure 5.

5. Remove the cotter pin and clevis pin that attaches the adjusting link to the power steering pump. Remove the bolt that attaches the pump to the mounting bracket, Figure 6, then lay the pump to one side. Remove the nut and lock washer that attaches the power steering hose retaining bracket to the right front side of the cylinder block.
6. Place a piece of wood over the top of the battery to prevent the fuel tank from accidentally contacting the battery terminals. Loosen the bolt at the right side of the fuel tank support. Remove the bolt and oil pressure gauge retaining clip from the right side of the rear support. Turn the fuel shut-off valve clockwise to close it. Disconnect the fuel line from the filter. Disconnect the fuel gauge wire from the rear of the tank. Remove the two bolts that attach the muffler outlet pipe support bracket to the left side of the fuel tank front support (gasoline engine only). Remove the nut and lock washer that secures the fuel tank front support to the cylinder block. Disconnect the excess fuel line from the forward bottom side of the fuel tank (diesel engine only). Remove the bolt and lock washer from the left side of each fuel tank support. With an assistant carefully lift the fuel tank and supports from the tractor. Remove the wood from the top of the battery.
7. Place a pan under the oil filter, then remove the filter or cartridge. Disconnect the starting motor cable at the starting motor. Remove the three bolts and lock washers that attach the motor to the engine and remove the motor.

Gasoline Engines: Disconnect the throttle rod from the accelerator pedal cross shaft. Disconnect the governor compensating rod spring from the governor lever and remove the assembly. Disconnect the choke rod from the carburetor. Unscrew the knob from the rod. Remove the choke rod.

8. Disconnect the three wires from the generator, see Figure 5.

Gasoline Engines Only: Disconnect the primary wire from the ignition coil, see Figure 6. Lift the wiring harness from the three retaining clips and place it to one side.

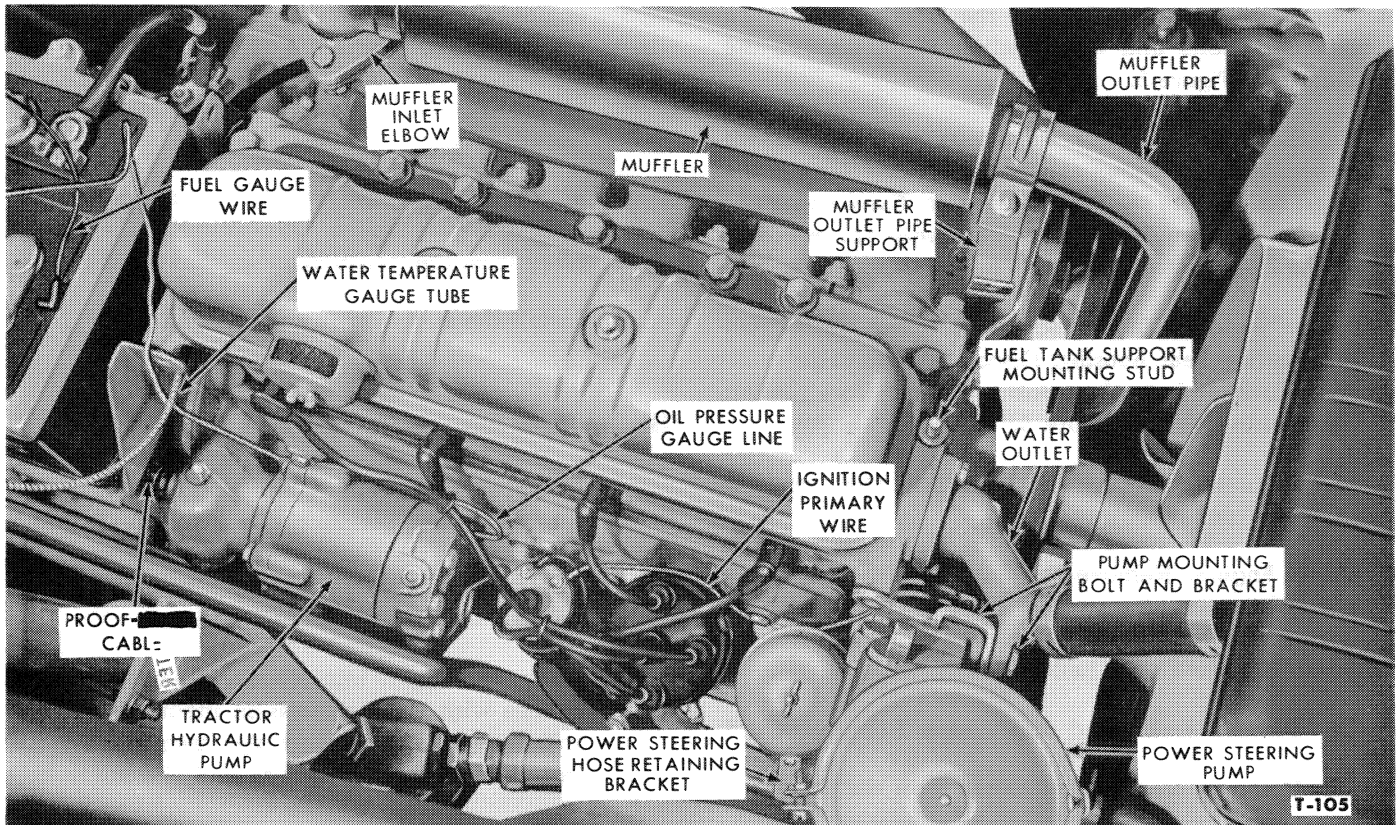


Figure 6—Top View of Engine

9. Disconnect the radiator hoses from the water outlet and from the water pump.
10. Disconnect the water temperature gauge tube from the right side of the cylinder block, see Figure 6.
11. Remove the five right side rail bracket attaching bolts and remove the bracket.
12. Place a drain pan below the hydraulic pump and manifold. Remove the five attaching bolts and washers from the pump and manifold. Carefully pry the hydraulic tubing away from the engine just enough to provide clearance for the hydraulic pump and manifold. Disconnect the oil pressure gauge line from the fitting in the cylinder block.

Tractor With Loader:

- a. Remove the three bolts and lock washers that attach the control valve to the control valve support, see Figure 7. Remove the two bolts and lock washers that attach the control valve support to the cylinder block. Remove the "U" clamp that attaches the support to the filter tube mounting bracket and remove the support.
- b. Remove the two bolts, nuts and lock washers that attach the right diagonal brace to the transmission and the loader frame. Manipulate the brace to free it from the transmission. It is not necessary to remove the brace from the control handles.

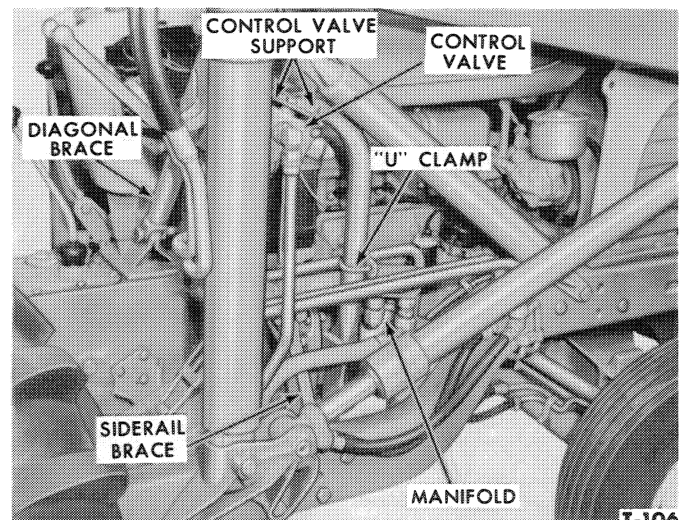


Figure 7—Loader Control Valve and Hydraulic Lines

Tractor With Loader: Remove the left diagonal brace attaching bolts and lock washers, then remove the brace, see Figure 5.

NOTE: *If the tractor is equipped with a reversing transmission, remove the rear bolt and loosen the front bolt of the shift lever bracket. Then swing the bracket outward to provide clearance for removal of the diagonal brace inner bolt.*

Power Steering: Disconnect the actuator cable from the steering gear housing. Disconnect the cable hold-down bracket from the transmission and from the left frame side rail, see Figure 5.

13. Remove the two nuts that attach the engine to the front support.

Diesel Engine: Remove the battery and the battery support to gain access to the top two transmission-to-engine attaching bolts. Disconnect the fuel injection pump linkage at the bellcrank.

14. Place a jack stand under each frame side rail.
15. Remove the two step plates from the tractor.
16. Place a jack under the transmission housing to support the weight. Remove the four fender and side rail attaching bolts. Disconnect the tail lamp wire from the bullet type connector on the left axle housing. Remove the fenders.
17. Install an engine lifting fixture or chain on the

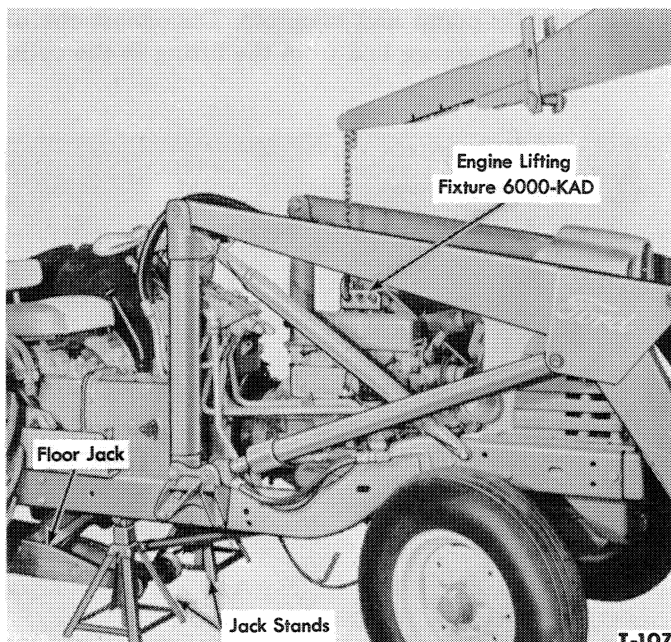


Figure 8—Removing Engine From Tractor

engine. Connect a chain hoist to the engine lifting fixture.

18. Carefully roll the axle rearward approximately 10".
19. Remove the remainder of the engine-to-transmission attaching bolts. Carefully lift the engine away from the transmission as shown in Figure 8.
20. Install the engine in an engine stand.

B. Installation

1. Remove the four bolts and washers that attach the pump drive coupling to the crankshaft pulley and remove the front half of the coupling. Slip the front half of the coupling onto the hydraulic pump shaft.
2. Lower the engine into place and align the clutch splines with the transmission input shaft. Move the engine back against the transmission and install the two upper bolts and the lower bolt.

NOTE: *It may be necessary to rock the engine slightly to enter the input shaft in the clutch.*

3. Carefully roll the rear axle forward while guiding the two engine support studs into the rubber mounts in the support. Install the two engine support nuts and flat washers.
4. Install the fenders. Install the frame side rail braces but do not tighten the attaching bolts. Install the rear fenders and tighten the attaching bolts. Tighten the side brace attaching bolts. Connect the tail lamp wire to the bullet type connector. Secure the wire to the brake cross shaft with the two retaining clips.
5. Align the hydraulic pump coupling hub with the crankshaft and install the four bolts and washers.
6. Install the two step plates.

Power Steering: Connect the power steering actuator hold-down bracket with the two upper left running board attaching bolts at this time.

Diesel Engine: Connect the fuel injection pump linkage to the bellcrank and install the battery tray and battery.

NOTE: *Do not connect the positive battery cable at this time.*

Tractor With Loader: Install the left diagonal brace and secure with two bolts, lock washers and nuts.

Reversing Transmission: Secure the shift lever bracket to the transmission, see Figure 5.

7. Connect the oil pressure gauge line to the fitting in the left side of the cylinder block. Place two new "O" rings on the hydraulic pump manifold mating surface on the transmission and a new gasket on the cylinder block. Position the hydraulic pump and manifold in place and secure with five bolts and washers.

NOTE: *It may be necessary to pry the hydraulic lines away from the engine to provide clearance for the pump and manifold.*

Tractor With Loader:

- a. Secure the right diagonal brace with two bolts, lock washers and nuts.
- b. Secure the control valve support to the lower end of the cylinder block with bolts, lock washers and nuts. Secure the control valve to the support with three bolts and lock washers. Connect the filter tube mounting bracket to the support with the "U" clamp.
8. Place the bushing over the temperature gauge heat bulb and connect the bulb to the cylinder block.
9. Connect the radiator lower hose to the water pump and the upper hose to the water outlet connection.
10. Connect the wiring harness to the generator.

Gasoline Engine: Connect the primary wire to the ignition coil. Place the wiring harness in the three retaining clips on the cylinder block.

11. Working from the front side of the reversing transmission shift lever bracket, insert the threaded end of the choke rod through the bracket and install the knob.

Gasoline Engine: Connect the choke rod to the carburetor.

12. Place a piece of wood over the top of the battery to prevent the fuel tank from accidentally contacting the battery terminals. With an assist-

ant, carefully position the fuel tank and supports in place on the engine. Install and tighten the nut and lock washer that attaches the fuel tank front support to the cylinder block. Install and tighten the four fuel tank support mounting bolts, nuts and lock washers. Make certain that the oil pressure gauge tube retaining clip is in place on the right rear bolt. Connect the fuel line to the filter.

Diesel Engine: Connect the excess fuel line to the bottom forward end of the tank.

Turn the fuel shut-off valve counterclockwise to open the valve. Remove the wood from the battery.

13. Attach the muffler outlet pipe support to the fuel tank support with two bolts and lock washers. Attach the battery support to the fuel tank support with a bolt, lock washer and nut, see Figure 5.

Power Steering: Connect the power steering pump to the mounting bracket with a bolt and lock washer. Connect the belt to the pump and connect the adjusting link with a clevis pin and cotter pin. Adjust the link to obtain 1/4" deflection of the belt midway between the pulleys. Attach the power steering hose retaining bracket to the right front side of the cylinder block with a nut and lock washer.

14. Install the air cleaner and air cleaner tube.

NOTE: *If the tractor is equipped with a diesel engine, the air cleaner should be in place making it necessary only to install the tube or the pre-cleaner stack.*

15. Position each hood panel in place on the tractor and install the attaching insulators, bolts, flat washers, lock washers, nuts and screws. Connect the headlamps to the bullet type connector at the front of the hood and at the connector located near the right rear side of the hood.
16. Connect the cable to the battery. Fill the radiator with coolant. Fill the crankcase to the proper level with the recommended oil. Fill the hydraulic system to the proper level with the recommended oil.

17. Start the engine and check for leaks.

Gasoline Engine: Adjust the ignition timing, and carburetor as required.



Suggest:

If the above button click is invalid.

Please download this document

first, and then click the above link

to download the complete manual.

Thank you so much for reading

3. CYLINDER HEAD AND VALVES

The cylinder head assembly consists of the rocker arm mechanism, valves, springs, and valve guides.

The procedures below cover the removal, disassembly, cleaning, inspection, repair and assembly of the cylinder head and valves.

A. Cylinder Head Removal

1. Remove the hood. Drain the coolant from the radiator and cylinder block.
2. Remove the fuel tank and fuel tank support brackets.
3. Disconnect the muffler from the exhaust manifold.

Gasoline Engine: Disconnect the choke rod and accelerator rod from the carburetor.

Gasoline or LP-Gas Engine: Disconnect the fuel line from the fuel filter or carburetor. Disconnect the spark plug wires at the plugs.

CAUTION: Refer to Chapter VI, Section 6 before attempting the removal of an LP-Gas fuel tank.

Diesel Engine: Remove the air cleaner tube. Disconnect the manifold heater wires at the manifold heaters.

4. Remove the nuts and washers that attach the intake and exhaust manifold to the cylinder block. Remove the manifold.

NOTE: On diesel engines, the intake manifold is separate from the exhaust manifold.

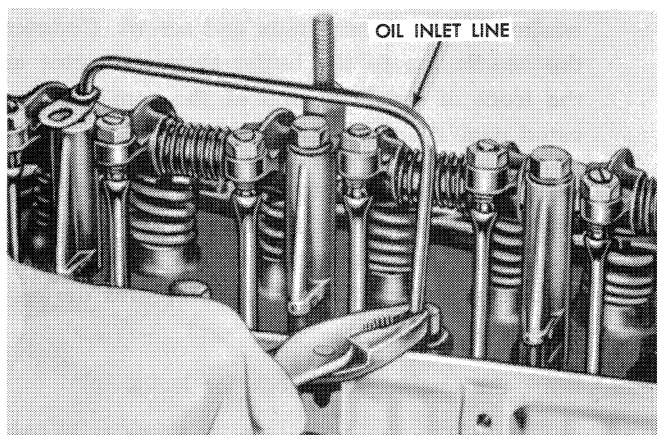


Figure 9—Removing Rocker Arm Oil Inlet Line

5. Disconnect the water temperature gauge from the cylinder head. Remove the radiator upper hose.
6. Disconnect the adjusting link from the power steering pump. Remove the bolts that attach the pump to the cylinder head and the water outlet elbow.
7. Remove the rocker arm cover and gasket.
8. Loosen the rocker arm support attaching bolts evenly and alternately until all tension has been relieved then remove the bolts and washers.
9. Remove the rocker arm oil inlet line from the cylinder block as shown in Figure 9. Lift the oil inlet and outlet lines from the rocker arm supports. Lift the rocker arm assembly from the cylinder head. Lift the push rods out of the cylinder head, and place in a numbered rack so that they may be reinstalled in their respective position.

Diesel Engines:

- a. Disconnect the excess fuel line at the tee connection, Figure 10. Remove the four bolts that attach the excess fuel line to the injectors and remove the line.
 - b. Remove all dirt from the fuel injector pressure line connections. Disconnect the pressure line at each injector. Cap off the exposed ends of the injectors and the lines to prevent the entry of dirt.
 - c. Remove the two attaching bolts from each injector. Attach Injector Lifting Bar, EIADDN-17098 to the injectors as shown in Figure 11. Make sure the legs of the tool bear against the cylinder head rather than the rubber injector seal. Remove the fuel injectors and the injector seat washers from the cylinder head.
 - d. Remove the two bolts and lockwashers that attach the fuel filter to the cylinder head.
10. Remove the bolts that attach the cylinder head to cylinder block. Carefully lift the cylinder head from the block.

NOTE: If available, use Cylinder Head Overhaul Fixtures, 6085-F.

<https://www.ebooklibonline.com>

Hello dear friend!

Thank you very much for reading.

Enter the link into your browser.

The full manual is available for immediate download.

<https://www.ebooklibonline.com>