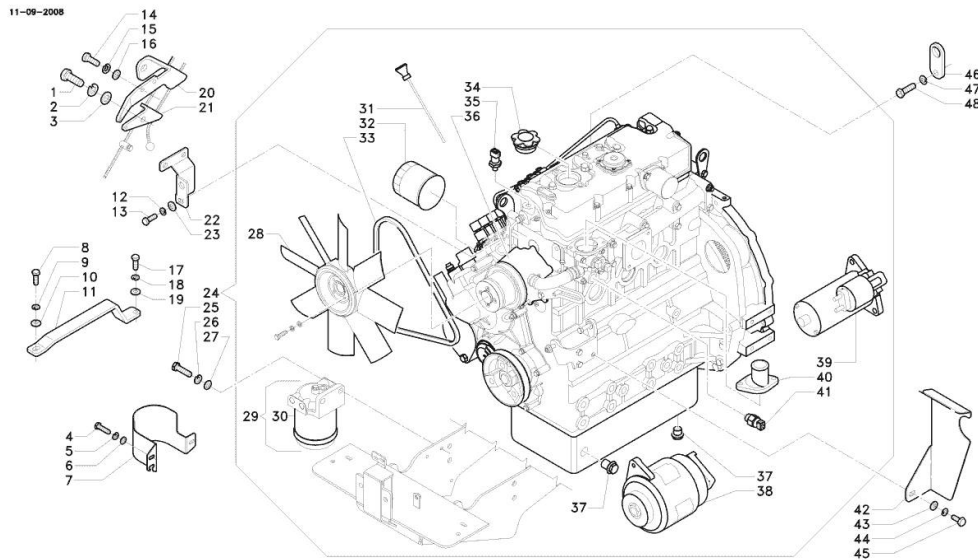


Section: B0 - ENGINE
ENGINE APPLICATION

Fig.	P/n	QTY	Name
------	-----	-----	------

Notes:

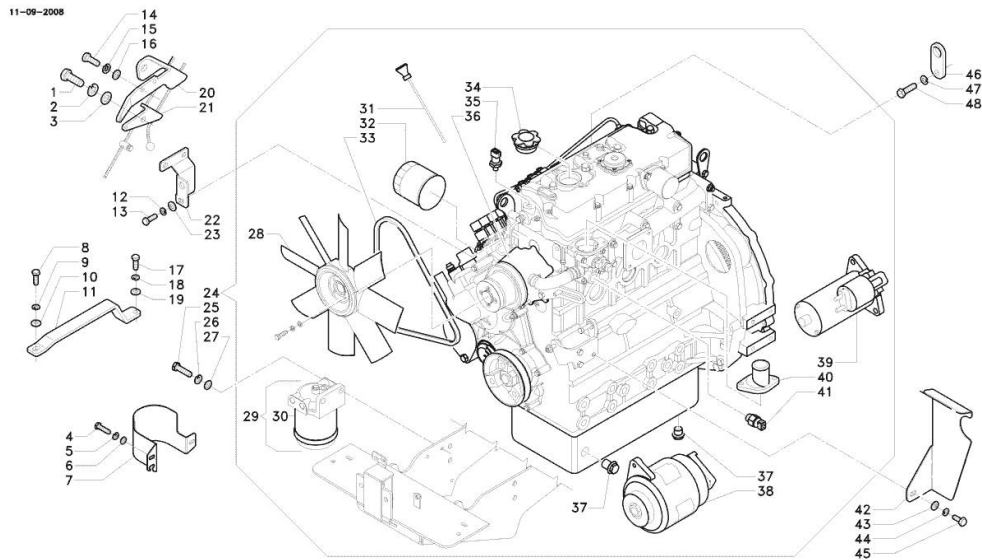
[Walker 50]



1	W-6191632	1	screw m 8 x 16
2	W-6206529	1	washer Ø 8
3	W-6205543	1	flat washer Ø 8
4	W-6191630	2	screw m 8 x 20
5	W-6206529	2	washer Ø 8
6	W-6205543	2	flat washer Ø 8
7	W-34914003	1	guard
8	W-6191632	1	screw m 8 x 16
9	W-6206529	1	washer Ø 8
10	W-6205543	1	flat washer Ø 8
11	W-34936078	1	bracket
12	W-6206529	1	washer Ø 8
13	W-6191632	1	screw m 8 x 16
14	W-6191628	2	screw m6x16
15	W-6206532	2	washer Ø 6
16	W-6205542	2	flat washer Ø 6
17	W-6191632	1	screw m 8 x 16
18	W-6206529	1	washer Ø 8
19	W-6205543	1	flat washer Ø 8
20	W-34936512	1	connection
21	W-34936470	1	connection
22	W-34936487	1	bracket
23	W-6205543	1	flat washer Ø 8
24	W-20105161	1	engine 404D-22 5500
24	W-20105162	1	engine 403D-17 4500
25	W-6191613	2	screw m 10 x 25
26	W-6206527	2	washer Ø 10
27	W-6205541	2	flat washer Ø 10
28	W-40182013	1	fan Ø 340
29	W-40182016	1	fuel filter COMPLETE WALKER 50
30	W-40182032	1	fuel filter element
31	W-40182027	1	dipstick 5500
31	W-40182028	1	dipstick 4500
32	W-40182014	1	oil filter
33	W-40182018	1	belt

Section: B0 - ENGINE
ENGINE APPLICATION

Fig.	P/n	QTY	Name
			5500
33	W-40182019	1	belt
			4500
34	W-40182031	1	plug
35	W-40182010	1	sensor
36	W-40182033	1	water pump
37	W-40182029	1	plug
			5500
37	W-40182030	1	plug
			4500
38	W-40182037	1	alternator
39	W-40182023	1	starter motor
			5500
39	W-40182024	1	starter motor
			4500
40	W-40182021	1	valve
41	W-40182011	1	sensor
			4500
41	W-40182036	1	sensor
			5500
42	W-34914029	1	guard
			4500
43	W-6205543	1	flat washer Ø 8
44	W-6206529	1	washer Ø 8
45	W-6191632	1	screw m 8 x 16
46	W-34935754	1	support
47	W-6206527	1	washer Ø 10
48	W-6191619	1	screw m 10 x 30

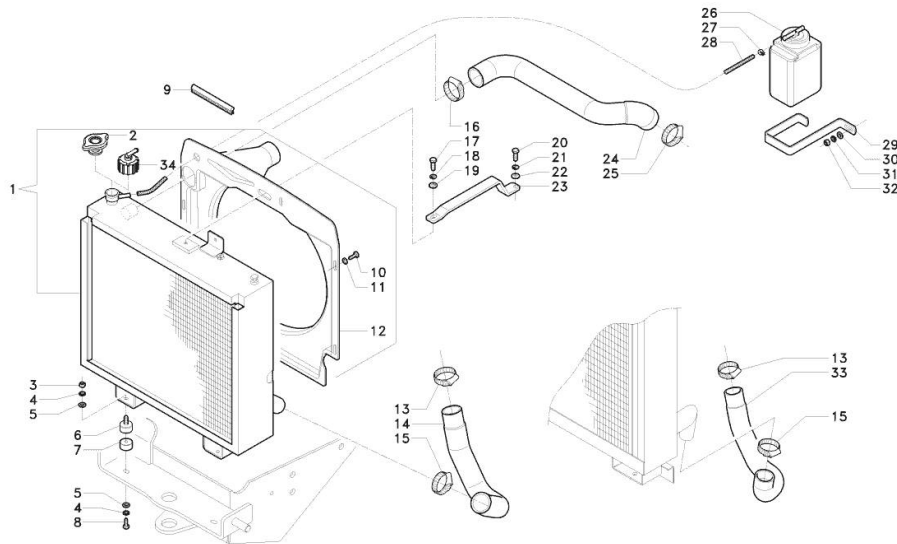


RADIATOR

Fig.	P/n	QTY	Name
------	-----	-----	------

Notes:

[Walker 50]



1	W-47921127	1	radiator
2	W-47908102	1	plug 1 Bar
3	W-6197559	2	nut m8
4	W-6206529	4	washer Ø 8
5	W-6205543	4	flat washer Ø 8
6	W-47912015	2	support
7	W-32904063	2	spacer mm 22
8	W-6191632	2	screw m 8 x 16 4500
8	W-6191650	2	screw m 8 x 40
9	W-9900056	1	guard
10	W-6191628	4	screw m6x16
11	W-6205507	4	flat washer Ø 6 x 18
12	W-47921128	1	duct
13	W-6212513	1	clamp
14	W-46626152	1	sleeve
15	W-6212513	1	clamp
16	W-47071009	1	clamp
17	W-6191632	1	screw m 8 x 16
18	W-6206529	1	washer Ø 8
19	W-6205543	1	flat washer Ø 8
20	W-6191632	1	screw m 8 x 16
21	W-6206529	1	washer Ø 8
22	W-6205543	1	flat washer Ø 8
23	W-34936078	1	bracket
23	W-34936106	1	bracket 4500
24	W-46626153	1	sleeve
25	W-6212513	1	clamp
26	W-44415004	1	tank
27	W-47071008	2	clamp Ø 16
27	W-47071012	2	clamp Ø 14
28	W-9900004	1	tube Ø 8 x 15
29	W-34935792	1	support
30	W-6205543	1	flat washer Ø 8
31	W-6206529	1	washer Ø 8
32	W-6197559	1	nut m8
33	W-46626319	1	sleeve

<https://www.ebooklibonline.com>

Hello dear friend!

Thank you very much for reading.

Enter the link into your browser.

The full manual is available for immediate download.

<https://www.ebooklibonline.com>

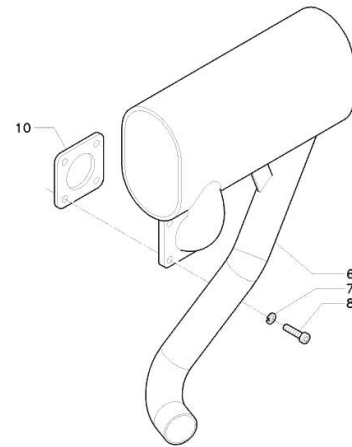
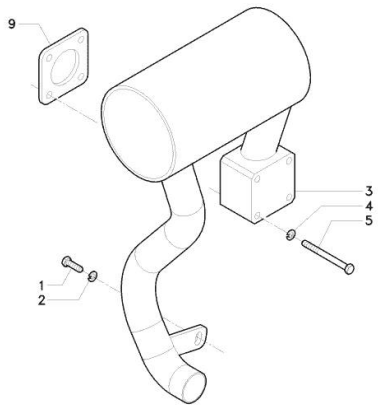
EXHAUST GAS SILENCERS

Fig.	P/n	QTY	Name
------	-----	-----	------

Notes:

[Walker 50]

1	W-6191632	1	screw m 8 x 16
2	W-6206529	1	washer Ø 8
3	W-34605113	1	silencer 4500
4	W-6206529	4	washer Ø 8
5	W-6191617	4	screw m 8 x 65
6	W-34605112	1	silencer
7	W-6206529	4	washer Ø 8
8	W-6192536	4	screw m 8 x 20
9	W-40182040	1	gasket
10	W-40182040	1	gasket



AIR CLEANER

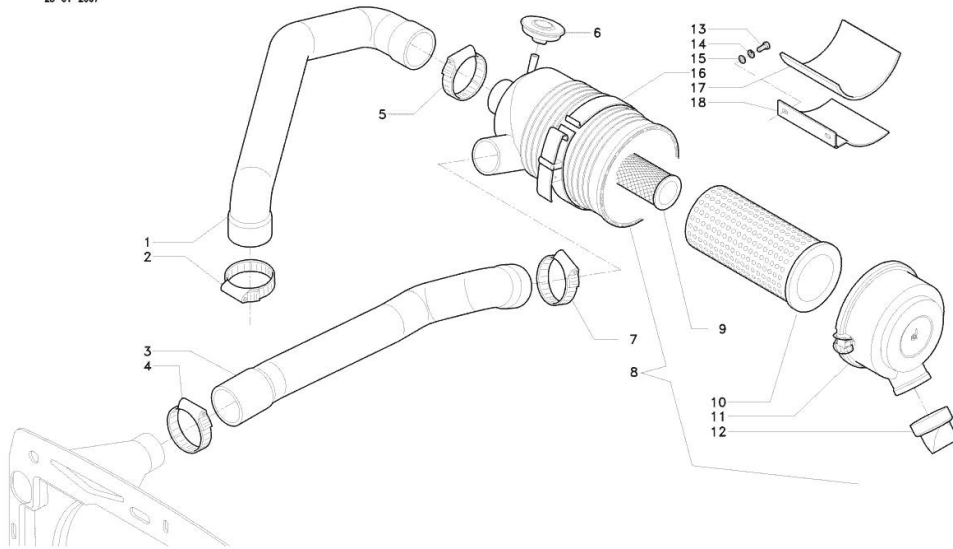
Fig.	P/n	QTY	Name
------	-----	-----	------

Notes:

[Walker 50]

1	W-44513085	1	tube
1	W-44513088	1	tube 4500
2	W-6212517	1	clamp
3	W-44513084	1	tube
3	W-44513087	1	tube 4500
4	W-6212517	1	clamp
5	W-6212517	1	clamp
6	W-6174539	1	plug
7	W-6212517	1	clamp
8	W-24504040	1	air filter
9	W-44509009	1	air filter
10	W-44509005	1	air filter
11	W-44509007	1	cover
12	W-44509008	1	valve
13	W-6191623	2	screw m 6 x 20
14	W-6206532	2	washer Ø 6
15	W-6205542	2	flat washer Ø 6
16	W-34923024	1	strap
17	W-6220021	1	felt band
18	W-35021014	1	supporting piece

23-01-2007



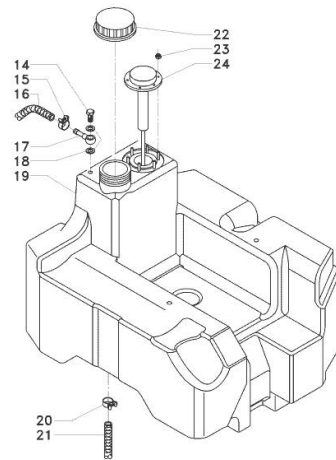
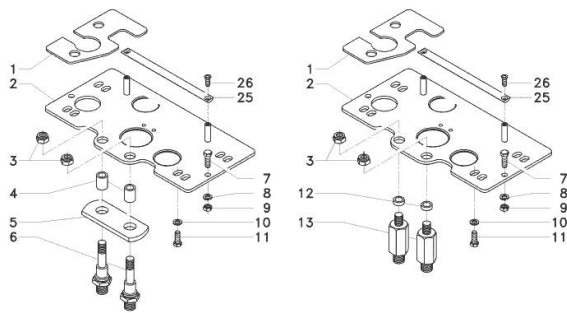
TANK

Fig.	P/n	QTY	Name
------	-----	-----	------

Notes:

[Walker 50]

1	W-37924025	2	felt band
2	W-34935852	1	tank support
3	W-6198504	2	nut m 14 x 1,5
4	W-32201440	2	spacer WALKER 50
5	W-34906007	1	small plate WALKER 50
6	W-32021745	2	pin WALKER 50
7	W-6191613	2	screw m 10 x 25
8	W-6206527	2	washer Ø 10
9	W-6197565	2	nut m 10
10	W-6205553	4	flat washer Ø 10 x 30
11	W-6191631	4	screw m 10 x 20
14	W-6201514	1	screw M 8 x 1 x 24
15	W-47071005	2	clamp Ø 10
16	W-9900033	1	tube Ø 6 x 11
17	W-6202501	1	pipe fitting Ø 8
18	W-6205502	2	flat washer Ø 8
19	W-34405030	1	fuel tank
20	W-47071006	2	clamp Ø 13
20	W-47071012	2	clamp Ø 14
21	W-9900004	1	tube Ø 8 x 15
22	W-47908014	1	plug
23	W-6198517	6	nut m 4
24	W-46708171	1	float



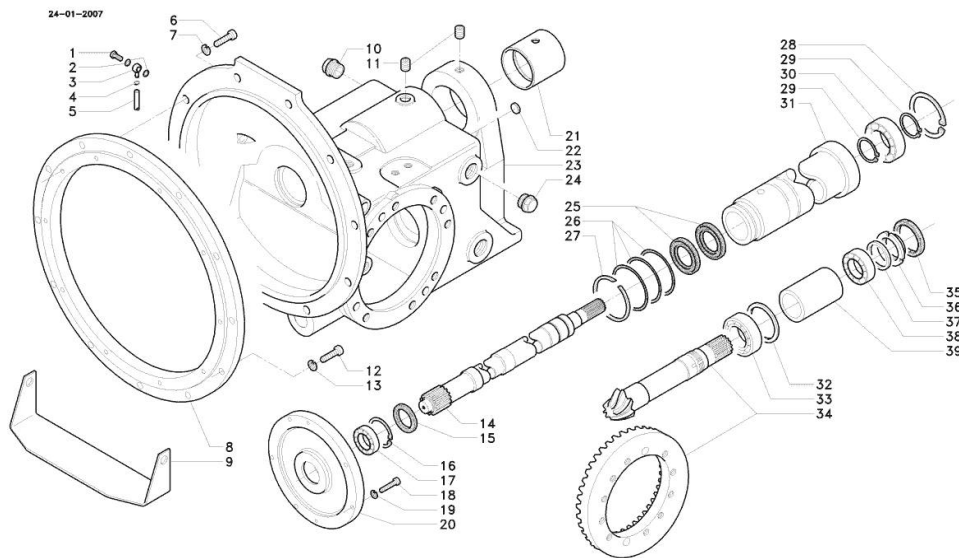
FRONT TRANSMISSION AND CASING

Fig.	P/n	QTY	Name
------	-----	-----	------

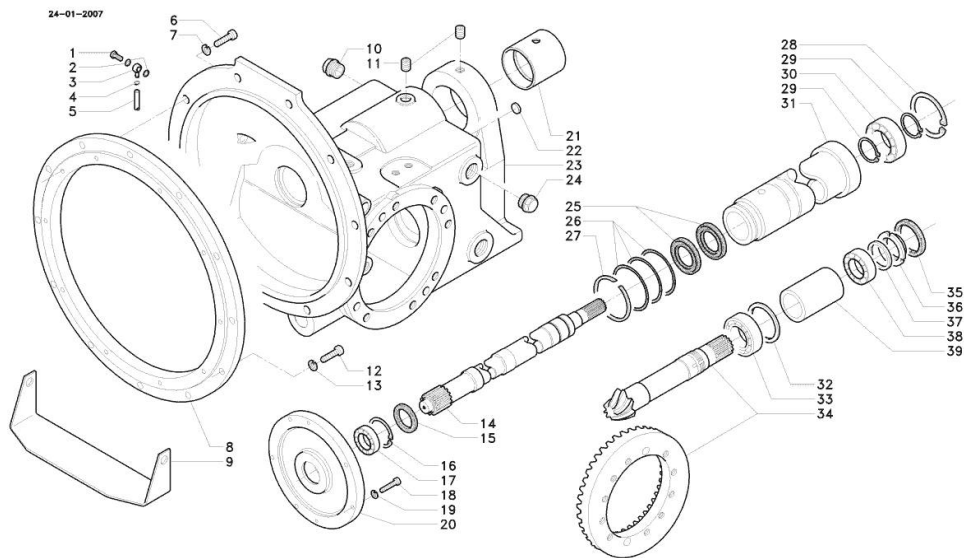
Notes:

[Walker 50]

1	W-6201501	2	screw M 8 x 1 x 20
2	W-6205502	4	flat washer Ø 8
3	W-6202501	2	pipe fitting Ø 8
4	W-6212503	2	clamp
5	W-9900001	1	tube
6	W-6192501	10	screw m 8 x 30
7	W-6206529	10	washer Ø 8
8	W-30103038	1	spacer
9	W-34913040	1	guard
10	W-6203539	1	plug m 22 x 1,5
11	W-6196529	2	grub screw m 10 x 25
12	W-46913058	12	screw 3/8" x 1"1/2
13	W-47056019	12	washer Ø 3/8
14	W-32002027	1	main shaft
15	W-6077504	1	oil seal AS 35477
16	W-6080573	1	ring J 42
17	W-6065539	1	bearing 20 x 42 x 12 6004 2RS
18	W-46905060	5	screw m 6 x 30
19	W-6206505	5	washer Ø 6
20	W-30110015	1	flange
21	W-37140002	2	bearing
22	W-47908004	3	plug Ø 16
23	W-33003025	1	guard
24	W-6203543	1	plug m 22 x 1,5
25	W-47207006	2	ring 35476,5
26	W-6078549	3	ring 3225
27	W-47024011	1	shoulder ring SW 58
28	W-6080506	1	ring J 62
29	W-6080507	2	ring a35
30	W-6065541	1	bearing 35 x 62 x 14 6007 2RS
31	W-32021269	1	joint
32	W-32201170	1	spacer [mm] 2,45
32	W-32201171	1	spacer [mm] 2,55
32	W-32201172	1	spacer [mm] 2,65
32	W-32201173	1	spacer [mm] 2,75
32	W-32201174	1	spacer [mm] 2,85
32	W-32201175	1	spacer [mm] 2,95
32	W-32201176	1	spacer [mm] 3,05
33	W-47129044	1	bearing 40 x 90 x 25,25 30308 A
34	W-22110014	1	bevel drive Z 7/31
35	W-47210022	1	oil seal 356810

FRONT TRANSMISSION AND CASING

Fig.	P/n	QTY	Name
36	W-36944003	1	ring nut
37	W-32201177	1	spacer
38	W-47129038	1	bearing 40 x 68 x 19 32008 X
39	W-32201178	1	spacer



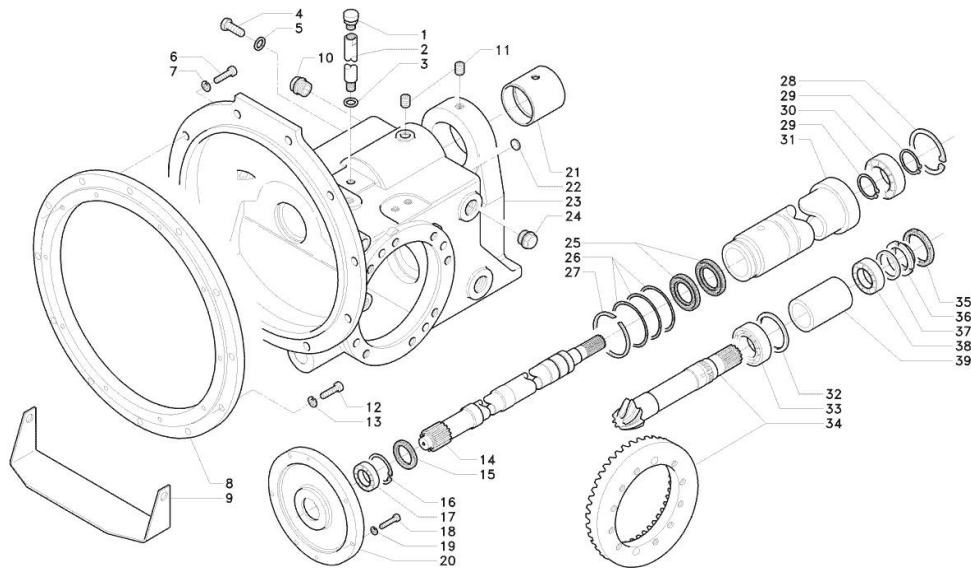
FRONT TRANSMISSION AND CASING

Fig.	P/n	QTY	Name
------	-----	-----	------

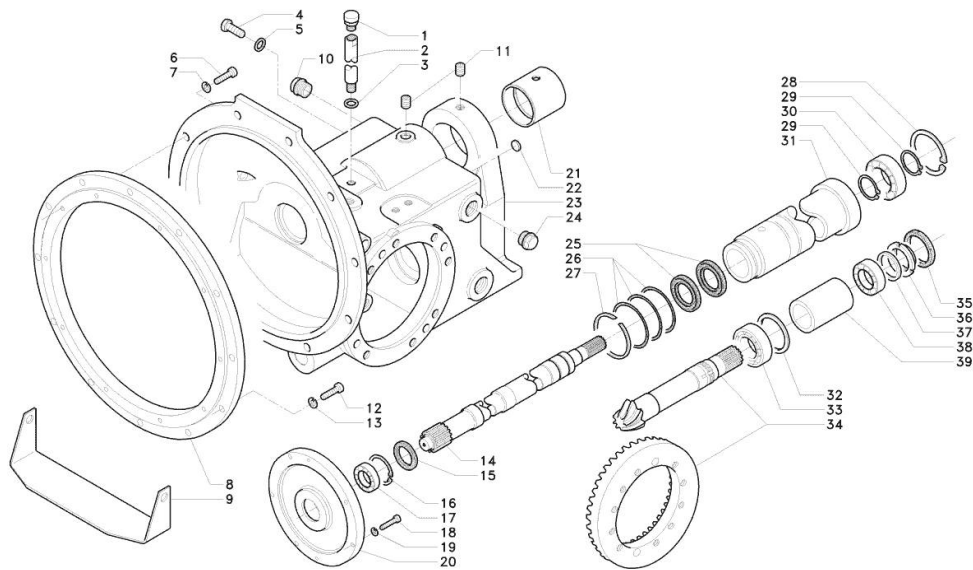
Notes:

[Walker 50]

1	W-47908181	1	plug m 20 x 1,5
2	W-36620600	1	tube
3	W-47012005	1	flat washer Ø 22
4	W-6191584	1	screw m 12 x 16
5	W-47011021	1	flat washer Ø 12
6	W-6192501	10	screw m 8 x 30
7	W-6206529	10	washer Ø 8
8	W-30103038	1	spacer
9	W-34913040	1	guard
10	W-6203543	1	plug m 22 x 1,5
11	W-6196529	2	grub screw m 10 x 25
12	W-46913058	12	screw 3/8" x 1"1/2
13	W-47056019	12	washer Ø 3/8
14	W-32002027	1	main shaft
15	W-6077504	1	oil seal AS 35477
16	W-6080573	1	ring J 42
17	W-6065539	1	bearing 20 x 42 x 12 6004 2RS
18	W-46905060	5	screw m 6 x 30
19	W-6206505	5	washer Ø 6
20	W-30110015	1	flange
21	W-37140002	2	bearing
22	W-47908004	3	plug Ø 16
23	W-33003025	1	guard
24	W-6203543	1	plug m 22 x 1,5
25	W-47207006	2	ring 35476,5
26	W-6078549	3	ring 3225
27	W-47024011	1	shoulder ring SW 58
28	W-6080506	1	ring J 62
29	W-6080507	2	ring a35
30	W-6065541	1	bearing 35 x 62 x 14 6007 2RS
31	W-32021269	1	joint
32	W-32201170	1	spacer [mm] 2,45
32	W-32201171	1	spacer [mm] 2,55
32	W-32201172	1	spacer [mm] 2,65
32	W-32201173	1	spacer [mm] 2,75
32	W-32201174	1	spacer [mm] 2,85
32	W-32201175	1	spacer [mm] 2,95
32	W-32201176	1	spacer [mm] 3,05
33	W-47129044	1	bearing 40 x 90 x 25,25 30308 A
34	W-22110014	1	bevel drive Z 7/31
35	W-47210022	1	oil seal 356810

FRONT TRANSMISSION AND CASING

Fig.	P/n	QTY	Name
36	W-36944003	1	ring nut
37	W-32201177	1	spacer
38	W-47129038	1	bearing 40 x 68 x 19 32008 X
39	W-32201178	1	spacer

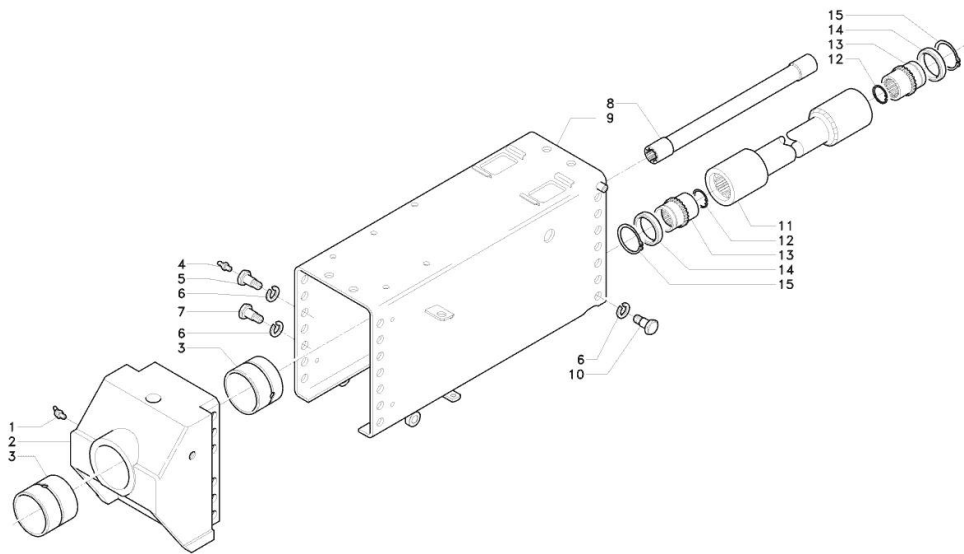


CENTRAL TRANSMISSION AND BODY

Fig.	P/n	QTY	Name
------	-----	-----	------

Notes:

[Walker 50]



1	W-6204502	1	grease gun M 8 45°
2	W-33004001	1	body
3	W-27140015	1	bearing 3.7140.002 / 3.7140.003
4	W-6204501	1	grease gun m 8
5	W-36920036	1	screw
6	W-6206512	32	washer Ø 16
7	W-36920027	3	screw
8	W-32018004	1	extension
9	W-33004026	1	body
10	W-36920006	28	screw
11	W-32018006	1	extension
12	W-47020024	2	ring J 31
13	W-32202005	2	bush
14	W-6077002	2	oil seal
15	W-6080534	2	ring A 44

REAR GEARBOX CASE

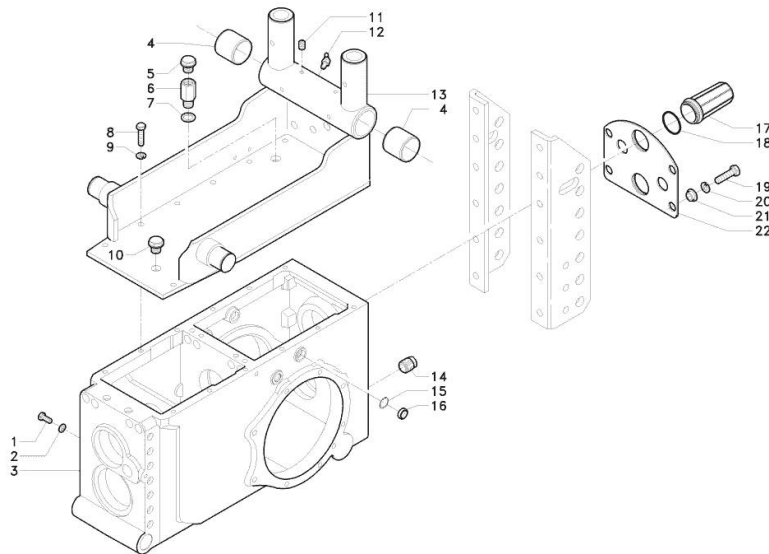
Fig.	P/n	QTY	Name
------	-----	-----	------

Notes:

[Walker 50]

1	W-6191609	1	screw m 10 x 12
2	W-6205509	1	flat washer Ø 10
3	W-33003082	1	guard WALKER 50
4	W-37150004	2	bush
5	W-6203558	1	plug
6	W-6202688	1	extension
7	W-47011046	1	flat washer Ø 22
8	W-6191534	4	screw m 10 x 25
9	W-6206502	4	washer Ø 10
10	W-6203543	1	plug m 22 x 1,5
11	W-46915058	4	grub screw m 10 x 10
12	W-6204502	1	grease gun M 8 45°
13	W-33103115	1	cover
14	W-6203508	1	plug m 22 x 1.5
15	W-47060022	1	ring JV 20 WALKER 50
16	W-47908148	1	plug Ø 20 WALKER 50
17	W-43115016	2	guard P.T.O.
18	W-6078516	2	ring 147
19	W-6191559	4	screw M 14 x 1,5 x 40
20	W-6206510	4	washer Ø 14
21	W-32205231	4	bush
22	W-33115035	1	supporting piece

30-01-2007

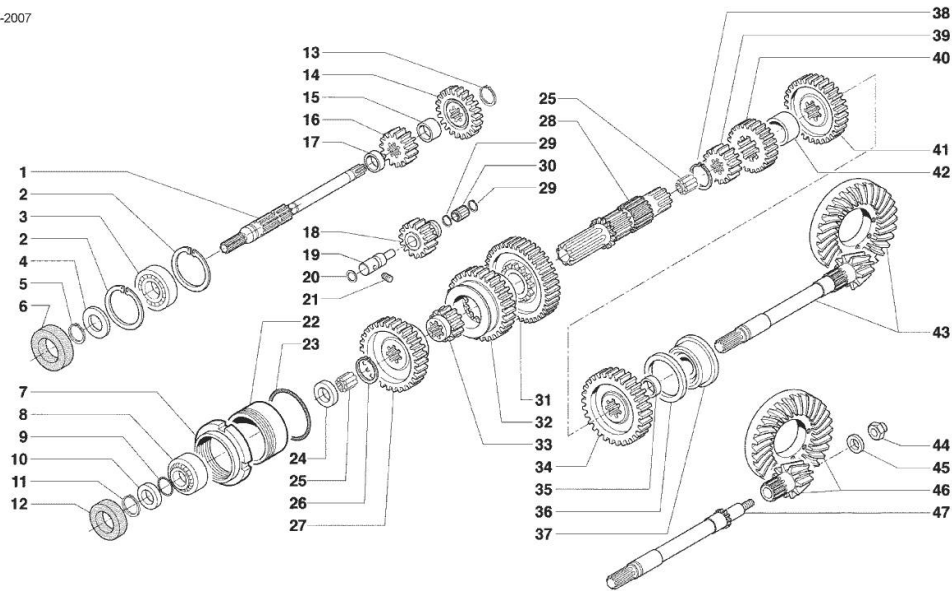


Section: D0 - TRANSMISSION
REAR GEARBOX GEARING

Fig.	P/n	QTY	Name
------	-----	-----	------

Notes:
[Walker 50]

11-07-2007



1	W-32004006	1	main shaft
2	W-6080529	2	ring J 80
3	W-6065529	1	bearing 40 x 80 x 18 6208 NR
4	W-47006254	1	washer 40x50x1,0
4	W-6207534	1	washer 40x50x0,1
4	W-6207537	1	washer 40x50x0,5
5	W-6080517	1	ring a 40
6	W-47210006	1	oil seal AS 408010
7	W-36944001	1	ring nut
8	W-47129035	1	bearing 35 x 80 x 22,75 31307
9	W-47215074	1	ring 3118
10	W-32201239	1	spacer [mm] 10
11	W-6080521	1	ring AS 35 x 2,5
12	W-47210042	1	oil seal AS 55808
13	W-6080546	1	ring AS 38 x 2,5
14	W-32101023	1	gear wheel Z = 36
15	W-32201019	1	spacer
16	W-32101022	1	gear wheel Z = 20
17	W-32201018	1	spacer
18	W-32103003	1	gear wheel Z = 18
19	W-32020003	1	pin
20	W-6078533	1	ring 3081
21	W-6196507	1	grub screw m 10x16
22	W-32205238	1	bush
23	W-47215104	1	ring 3350
24	W-32201223	1	spacer 3 mm
24	W-32201225	1	spacer [mm] 2,4
24	W-32201226	1	spacer [mm] 2,5
24	W-32201227	1	spacer [mm] 2,6
24	W-32201228	1	spacer [mm] 2,7
24	W-32201229	1	spacer [mm] 2,8
24	W-32201230	1	spacer [mm] 2,9
24	W-32201231	1	spacer [mm] 3,1
24	W-32201232	1	spacer [mm] 3,2
24	W-32201233	1	spacer [mm] 3,3
24	W-32201234	1	spacer [mm] 3,4
25	W-47136243	2	roller cage K 35 x 42 x 30 ZB2
26	W-47024016	1	ring AL 55 x 2
27	W-32101024	1	gear wheel Z = 44
28	W-32003001	1	secondary shaft WALKER 50



Suggest:

For more complete manuals. Please go to the home page.

<https://www.ebooklibonline.com>

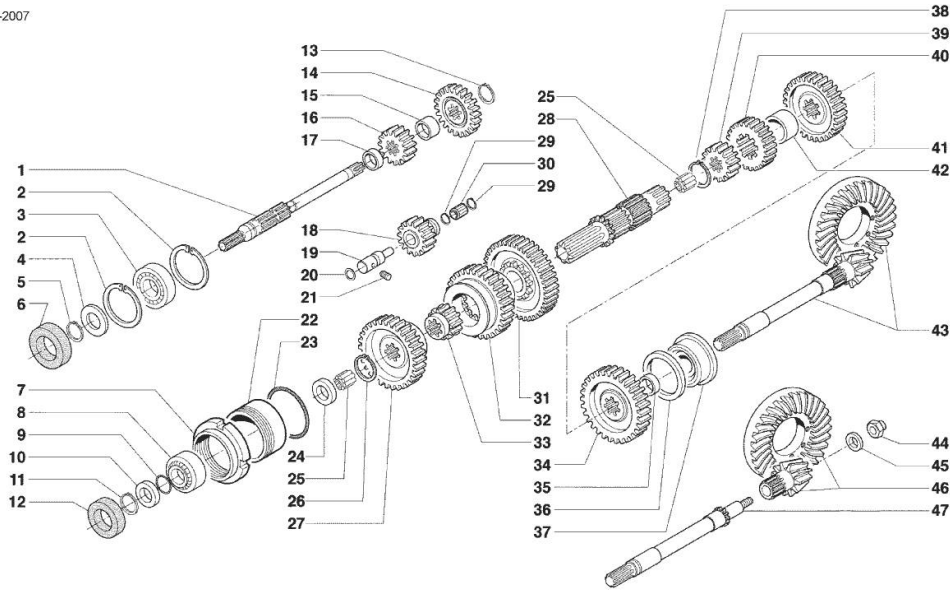
If the above button click is invalid. Please download this document first, and then click the above link to download the complete manual.

Thank you so much for reading

Section: D0 - TRANSMISSION
REAR GEARBOX GEARING

Fig.	P/n	QTY	Name
29	W-47024010	2	ring SB 26
30	W-6071518	1	roller cage 20x26x17
31	W-32102002	1	gear wheel z = 59
32	W-32103004	1	gear wheel z=34
33	W-32203008	1	bush
34	W-32101017	1	gear wheel Z = 48
35	W-32201008	1	spacer [mm] 6,7
35	W-32201102	1	spacer [mm] 6,8
35	W-32201103	1	spacer [mm] 6,9
35	W-32201104	1	spacer 7 mm
35	W-32201105	1	spacer [mm] 7,1
35	W-32201106	1	spacer [mm] 7,2
35	W-32201107	1	spacer [mm] 7,3
35	W-32201461	1	spacer [mm] 7,5
36	W-32201004	1	spacer [mm] 2,45
36	W-32201086	1	spacer [mm] 2,55
36	W-32201087	1	spacer [mm] 2,65
36	W-32201088	1	spacer [mm] 2,75
36	W-32201089	1	spacer [mm] 2,85
36	W-32201090	1	spacer [mm] 2,95
36	W-32201091	1	spacer [mm] 3,05
37	W-47130001	1	bearing 40 x 90 x 25,25 30308 AR
40	W-32101002	1	gear wheel Z = 29 WALKER 50
41	W-32101049	1	gear wheel z=38
42	W-32201003	1	spacer
44	W-36931001	1	nut WALKER 50
45	W-32201263	1	spacer WALKER 50
46	W-40640008	1	bevel drive Z 15/35 WALKER 50
47	W-32002191	1	pinion WALKER 50

11-07-2007



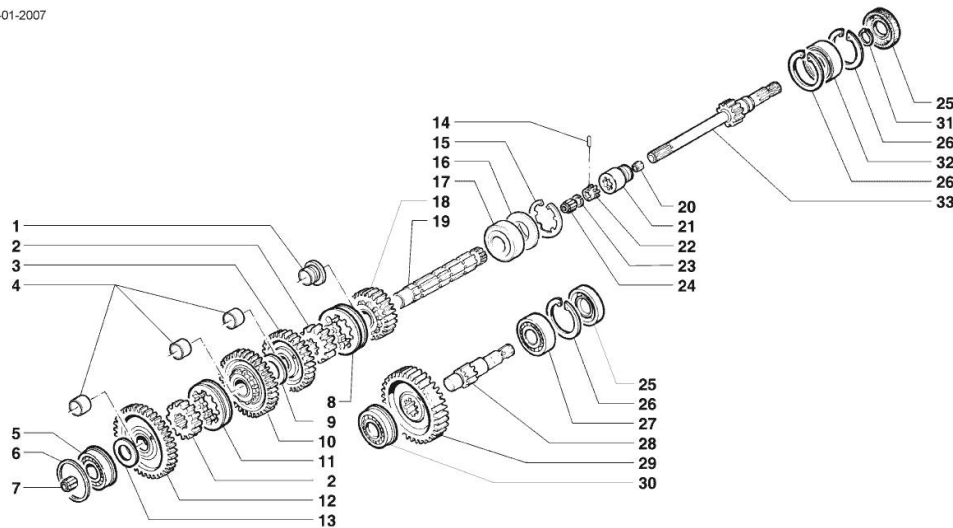
Section: D0 - TRANSMISSION
REAR PTO TRANSMISSION

Fig.	P/n	QTY	Name
------	-----	-----	------

Notes:
[Walker 50]

1	W-37140006	1	bearing
2	W-32203002	2	bush
3	W-32102026	1	gear wheel Z = 40 WALKER 50
4	W-37140004	3	bearing
5	W-47104020	1	bearing 40 x 80 x 18 6208 NR
6	W-37009004	1	washer 80 x 90 x 0,1
6	W-37009009	1	washer 80 x 90 x 0,2
7	W-47136131	1	roller cage K 22 x 28 x 17
8	W-32204016	1	bush
9	W-32202015	1	spacer
10	W-32102027	1	gear wheel Z = 49 WALKER 50
11	W-32204008	1	bush
12	W-32102028	1	gear wheel z = 53
13	W-6034508	1	spacer AS 40 x 60 x 1
14	W-47025076	1	roll pin Ø 4 x 32
15	W-47024005	1	ring JL 80 x 2,5
16	W-47007043	1	spacer 63 x 80 x 3
17	W-47121042	1	bearing 40 x 80 x 18 NJ 208 ECP
18	W-32102045	1	gear wheel Z = 31
19	W-32003024	1	shaft
20	W-47136026	1	roller cage K 10 x 16 x 12
21	W-32204002	1	bush
22	W-32203003	1	bush
23	W-47024010	1	ring SB 26
24	W-47136123	1	roller cage K 22 x 26 x 13
25	W-47210006	2	oil seal AS 408010
26	W-6080529	3	ring J 80
27	W-47121042	1	bearing 40 x 80 x 18 NJ 208 ECP
28	W-32002017	1	shaft P.T.O.
29	W-32101025	1	gear wheel Z = 48
30	W-47126009	1	bearing 40 x 80 x 18 NJ 208 ECNR
31	W-6080517	1	ring a 40
32	W-47122034	1	bearing 40 x 80 x 18 NUP 208
33	W-32004007	1	shaft Z = 11

31-01-2007



<https://www.ebooklibonline.com>

Hello dear friend!

Thank you very much for reading.

Enter the link into your browser.

The full manual is available for immediate download.

<https://www.ebooklibonline.com>