

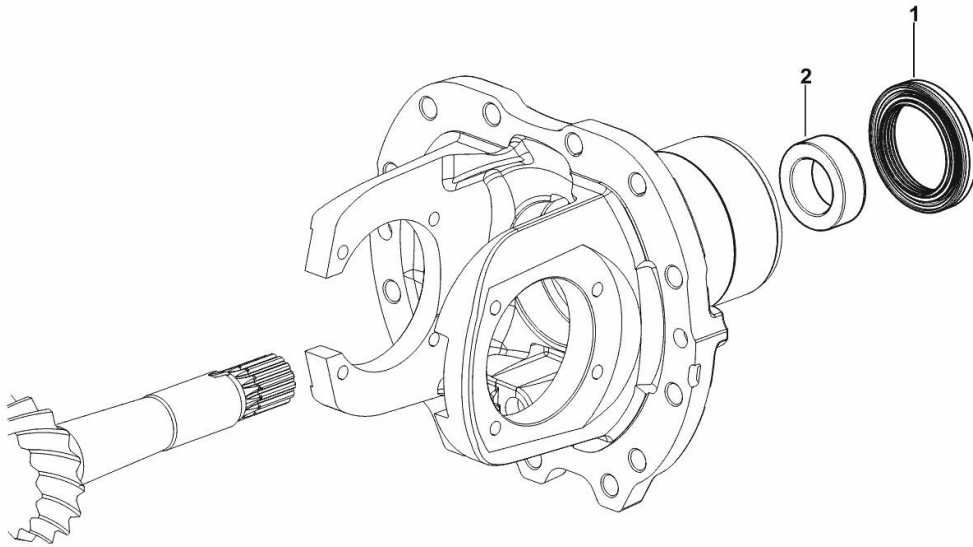
4WD - FRONT DIFFERENTIAL LOCK- STANDARD SEALING

Fig.	P/n	QTY	Name
------	-----	-----	------

Notes:

[Virtus J 120 -> ZKDY530200TS10001]

1	2.1529.149.0	1	special oil seal 55 x 80 x 12.5
2	2.1549.459.0	1	spacer 35x55x19



9_Y6946_01_0-B-001

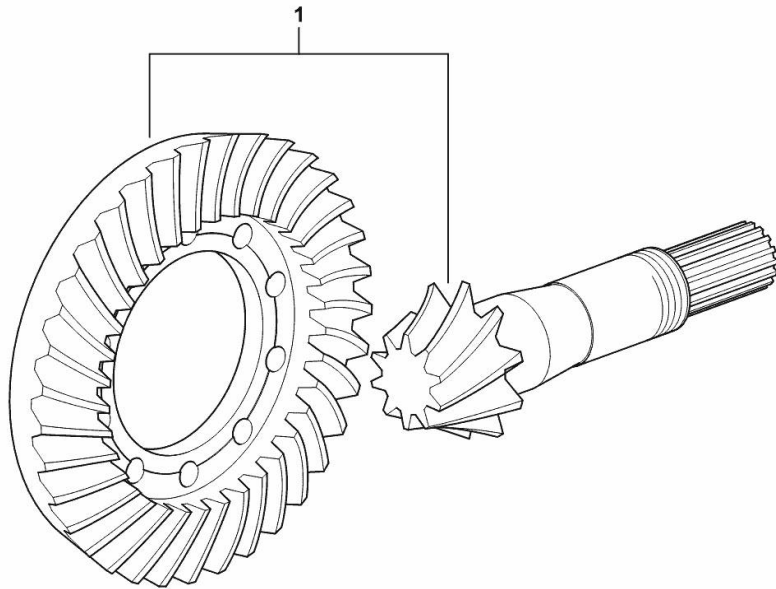
4WD - BEVEL WHEEL GEAR Z = 10 / Z = 35

Fig.	P/n	QTY	Name
------	-----	-----	------

Notes:

[Virtus J 120 -> ZKDY530200TS10001]

1	0.010.0970.3/50	1	bevel drive Z = 10 / Z = 35
---	-----------------	---	-----------------------------



9_62046_02_0-A-001

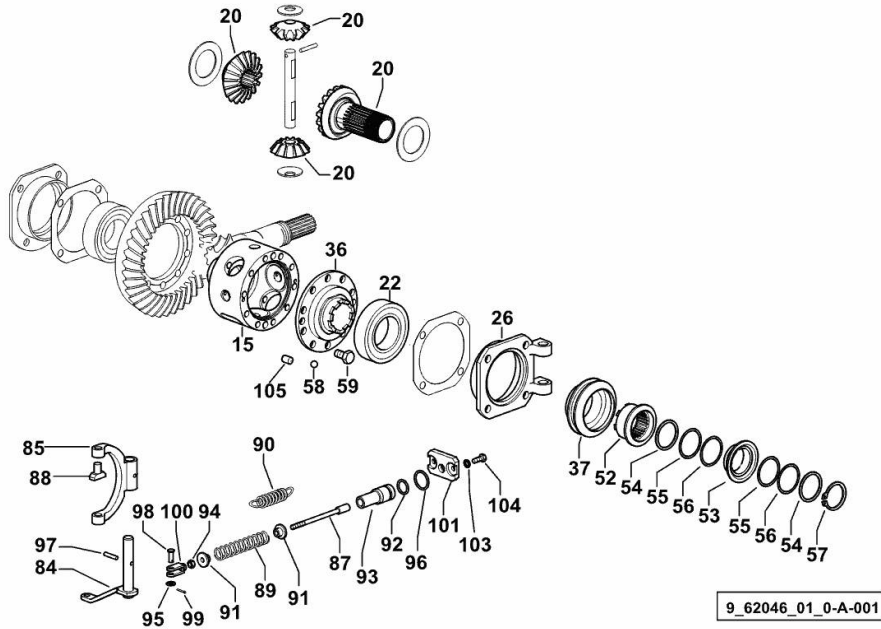
4WD - FRONT DIFFERENTIAL

Fig.	P/n	QTY	Name
------	-----	-----	------

Notes:

[Virtus J 120 -> ZKDY530200TS10001]

15	0.013.6062.0/40	1	differential carrier (-> 10001)
20	0.013.6076.3/20	1	crown wheel (-> 10001) 4 PLANET PINIONS
22	2.2520.011.0	1	roller bearing 50x90x21.75
26	0.467.4650.0/30	1	flange
36	0.255.4615.0/40	1	flange
37	0.255.4617.0	1	sleeve
52	0.255.4618.0/10	1	sleeve
53	0.255.4619.0/10	1	spacer (-> 10001)
54	2.1599.317.0/10	2	shim 38 x 44.50 x 2 (-> 10001)
55	2.1580.130.0	4	shim 38.5 x 44.50 x 0.5
56	2.1580.131.0	4	shim 38.5 x 44.50 x 0.2
57	2.1412.014.7	1	circlip 38x2.5 (-> 10001)
58	2.2810.006.0	17	ball 3/8"
59	2.0139.002.1	10	screw m 10 p.1.25 x 20
84	0.007.2705.2/10	1	lever
85	0.467.4657.0/10	1	fork
87	0.467.4659.0/10	1	ferrule
88	0.467.4660.0	2	shoe
89	2.4019.397.2	1	spring
90	2.4049.184.2	1	spring 12.4x18x2.8x56
91	0.272.4651.0	2	spacer
92	2.1530.043.0	1	oil seal 17.13x2.62
93	0.007.6282.0/30	1	piston
94	2.1011.103.2	1	nut m 6 p.1
95	2.1310.002.2	1	flat washer 6.4x12.5
96	2.1530.062.0	1	oil seal 23.81 x 2.62
97	2.1630.511.0	1	roll pin 5x24
98	2.1671.103.2	1	pin 6x18
99	2.1690.205.2	1	split pin 2x12
100	2.3510.003.2	1	fork m 6
101	0.009.7877.0/10	1	small plate
103	2.1470.002.2	2	lock washer 6
104	2.0112.005.2	2	screw m 6 p.1 x 16
105	2.1659.523.0	4	pin 10 x 16



<https://www.ebooklibonline.com>

Hello dear friend!

Thank you very much for reading.

Enter the link into your browser.

The full manual is available for immediate download.

<https://www.ebooklibonline.com>

4WD - FRONT DIFFERENTIAL

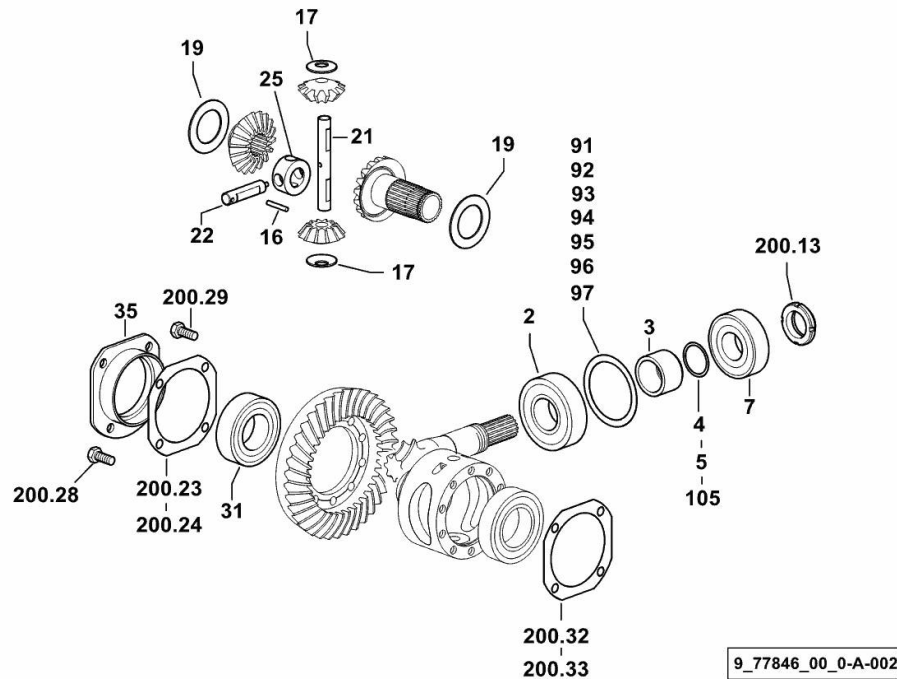


Fig.	P/n	QTY	Name
Notes:			
[Virtus J 120 -> ZKDY530200TS10001]			
2	2.2560.006.0	1	roller bearing 40 x 90 x 25.25
3	0.010.1045.0	1	spacer mm 37
4	2.1580.101.0	2	shim 36 x 43 x 0.2
5	2.1580.102.0	3	shim 36 x 43 x 0.5
7	2.2560.005.0	1	roller bearing 35 x 80 x 22.75
16	2.1631.418.0	2	pin 5 x 45
17	0.255.4629.0	4	shoulder ring 15.5x36x2
19	2.1599.431.0	2	shoulder ring 42x66x2
21	0.013.6067.0	1	pin
22	0.013.6068.0	2	pin
25	0.013.6070.0	1	ring
31	2.2540.005.0	1	roller bearing 45 x 85 x 24.75
35	0.255.4652.0/20	1	flange
91	2.1589.356.0	1	shoulder ring 73x89.5x0.6
92	2.1589.357.0	0.3	shoulder ring 73x89.5x0.7
93	2.1589.358.0	0.3	shoulder ring 73x89.5x0.8
94	2.1589.359.0	0.3	shoulder ring 73x89.5x0.9
95	2.1589.360.0	0.3	shoulder ring 73x89.5x1.65
96	2.1589.361.0	0.3	shoulder ring 73x89.5x1.75
97	2.1589.362.0	0.3	shoulder ring 73x89.5x1.85
105	2.1580.109.0	2	shim 36x43x0.15
200.13	2.1214.108.7	1	ring nut m 35 p.1.5 SX
200.23	0.445.4656.0/10	2	shim 92x127x0.2
200.24	0.445.4655.0/10	2	shim 92x127x0.5
200.28	2.0132.207.2	8	screw m 10 p.1 x 25
200.29	2.0139.025.1	10	screw m 10 p.1.25 x 25
200.32	0.146.4653.0/10	4	shim 96x127x0.2
200.33	0.146.4654.0/10	4	shim 96x127x0.5

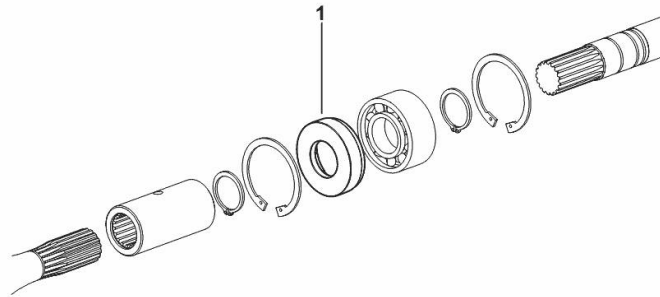
4WD - TRANSMISSION SHAFT - WITH STANDARD SEALS

Fig.	P/n	QTY	Name
------	-----	-----	------

Notes:

- WITH STANDARD SEALS [Virtus J 120 -> ZKDY530200TS10001]

1	0.014.3406.0	1	bushing
---	--------------	---	---------



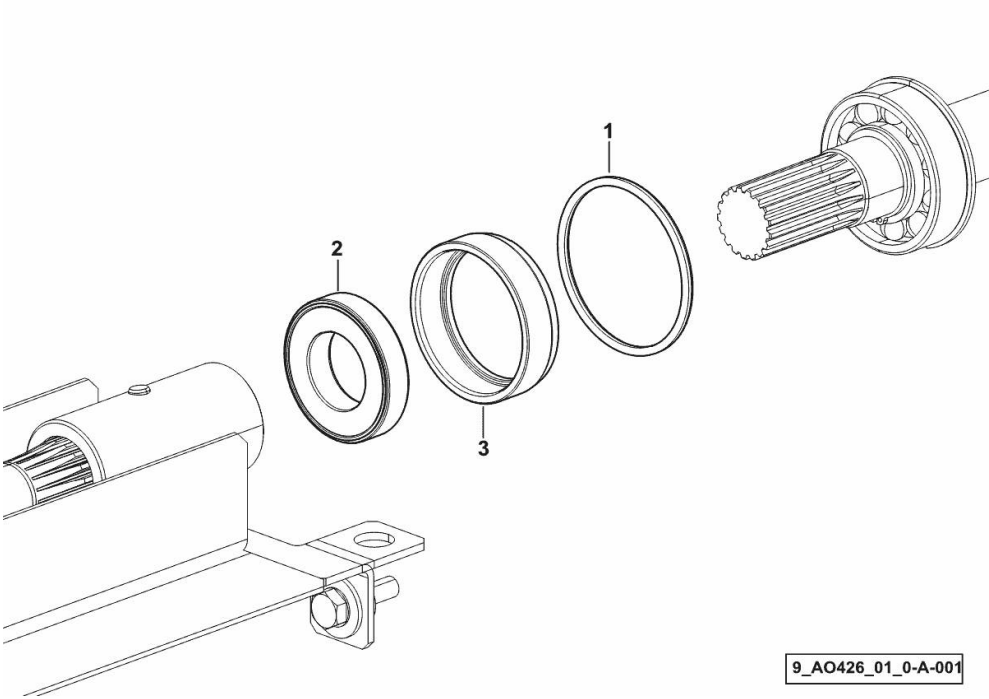
9_B7826_02_0-A-001

4WD - TRANSMISSION SHAFT - WITH WATERPROOF SEALS

Fig.	P/n	QTY	Name
------	-----	-----	------

Notes:
[Virtus J 120 -> ZKDY530200TS10001]

1	2.1532.155.0	1	oil seal 3.53x63.50
2	2.1529.106.0/10	1	special oil seal 30x55x12
3	0.012.7114.0/10	1	spacer



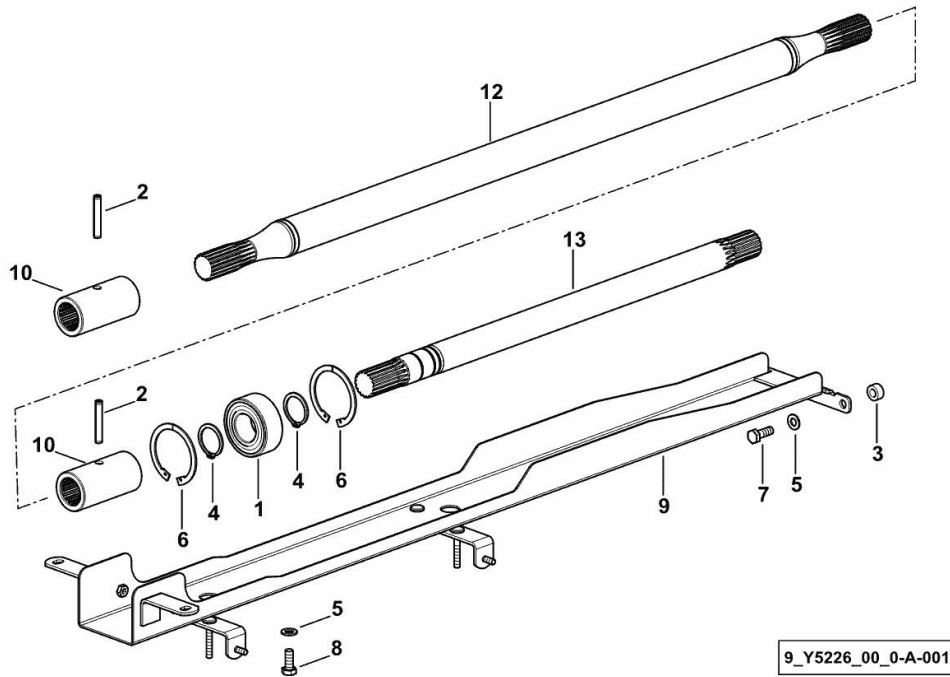
4WD - PROPELLER SHAFT

Fig.	P/n	QTY	Name
------	-----	-----	------

Notes:

[Virtus J 120 -> ZKDY530200TS10001]

1	2.2999.008.0	1	special bearing 30x62x23.8
2	2.1631.718.0	2	roll pin 8 x 45
3	2.1579.987.2	2	spacer 8.5x16x8
4	2.1499.528.1	2	circlip 30
5	2.1310.004.2	4	flat washer 8.4x17
6	2.1411.025.1	2	circlip 62
7	2.0112.208.2	2	screw m 8 p.1.25 x 22
8	2.0112.207.2	2	screw m 8 p 1.25 x 20
9	0.019.0887.3	1	shield
10	0.255.2617.0/10	2	sleeve
12	0.020.3924.2	1	transmission shaft mm 957
13	0.015.0155.0	1	transmission shaft mm 563



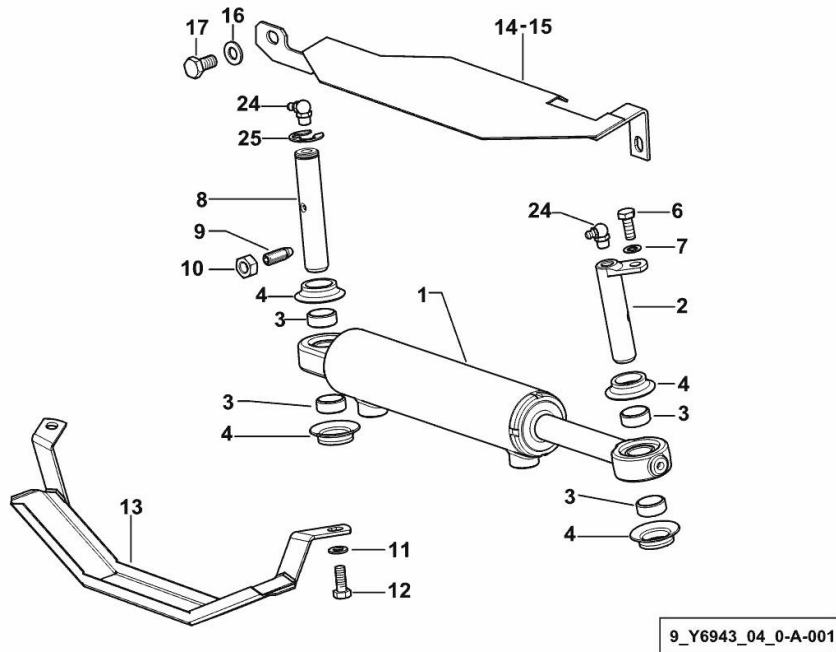
STEERING CYLINDER - 4WD

Fig.	P/n	QTY	Name
------	-----	-----	------

Notes:

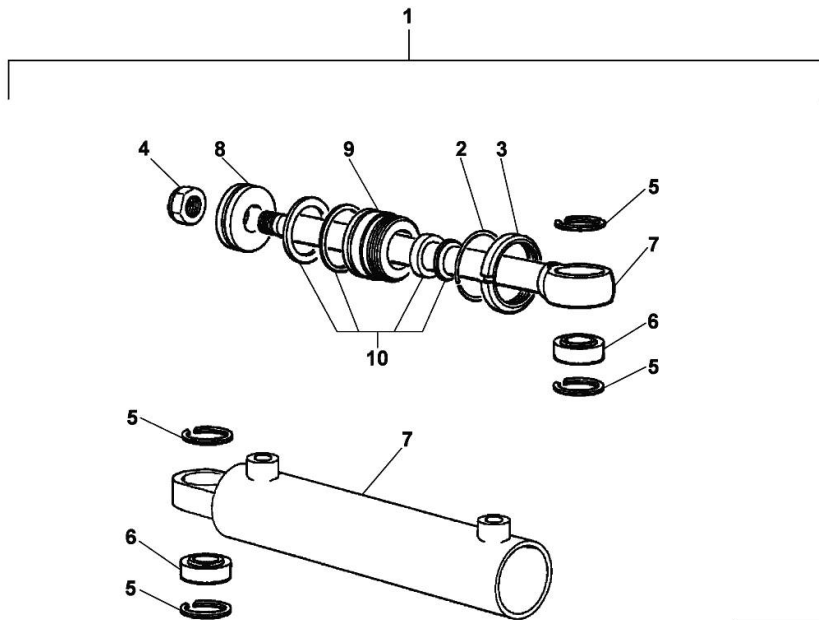
[Virtus J 120 -> ZKDY530200TS10001]

1	0.010.6110.4/30	2	cylinder ☞ 0.010.6110.4/30
2	0.016.1031.2	2	piston pin
3	2.1579.739.0	8	spacer 21x25x10
4	0.270.6351.0	8	rubber ring
6	2.0119.326.2/10	2	screw m 8 p 1.25 x 20
7	2.1470.004.2	2	lock washer 8
8	0.016.1025.0/10	2	piston pin
9	2.0399.378.2/10	2	screw m 10 p.1x35
10	2.1011.406.2	2	nut m 10 p.1
11	2.1310.004.2	2	flat washer 8.4x17
12	2.0112.205.2	2	screw m 8 p.1.25 x 16
13	0.010.6309.2/20	1	guard
14	0.011.0400.2/10	1	guard sx/lh/li
15	0.011.0402.2/10	1	guard dx/rh/re
16	2.1310.006.2	4	flat washer 10.5x21
17	2.0112.307.2	2	screw m 10 p.1.5 x 20
24	2.3821.303.2	4	grease gun m 10 p.1
25	2.1430.013.7	2	circlip 15



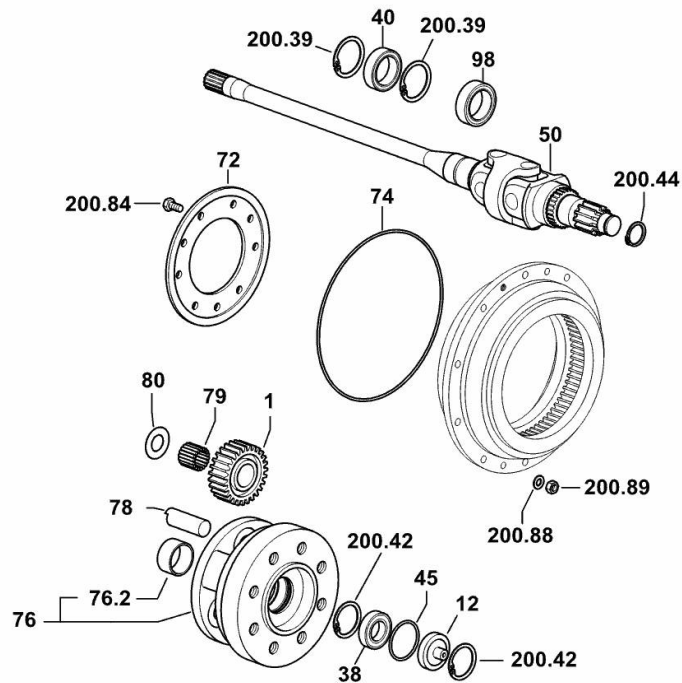
CYLINDER PARTS

Fig.	P/n	QTY	Name
1	0.010.6110.4/30	1	cylinder
2	2.1421.019.1	1	circlip
3	0.176.6372.0	1	ring nut
4	0.463.6355.1	1	self-locking nut m 16 p.1.5
5	2.1423.026.1	4	shoulder ring
6	0.176.6371.0	2	cap
7	0.000.0000.1		cannot be supplied
8	0.176.6377.1	1	piston mm 48
9	0.176.6375.0	1	special bushing
10	0.009.4734.2	1	seal ring kit



0.010.6110.4/30

4 WD - FRONT REDUCTION UNIT AND HALFSHAFTS



9_77846_00_0-B-002

Fig.	P/n	QTY	Name
------	-----	-----	------

Notes:

[Virtus J 120 -> ZKDY530200TS10001]

1	0.255.4644.0/20	6	planet gear z=27
12	0.275.4653.0	2	small cover
38	2.2030.007.0	2	ball bearing 30x55x13
40	2.2999.415.0	1	special bearing 43.8 x 62 x 17
45	2.1530.134.0	2	oil seal 53.98x3.53
50	0.010.5413.4/20	2	half-shaft (-> 10001) ☞ 0.010.5413.4/20
72	0.275.4650.0/10	2	flange
74	2.1530.308.0	2	oil seal 253.6x3.53
76	0.275.4642.3/40	2	spider
76.2	2.1559.067.0	1	special bushing 44.1x50.1x25
78	0.198.4643.0	6	pin
79	2.2999.002.0	6	roller cage 25x35x30
80	2.1599.871.0	12	slewing ring 25x48x1
98	2.1529.112.0	2	special oil seal 45 x 65 x 18.5
200.39	2.1411.025.1	4	circlip 62
200.42	2.1411.022.1	4	circlip 55
200.44	2.1499.528.1	2	circlip 30
200.84	2.0139.002.1	18	screw m 10 p.1.25 x 20
200.88	2.1475.203.7	20	washer 10.5
200.89	2.1012.421.7	20	nut m 10 p.1.25

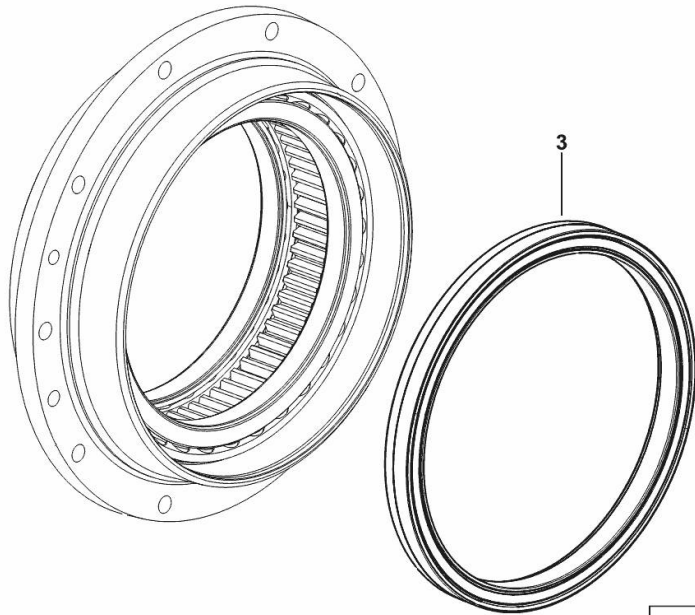
REDUCTION GEAR SEAL RINGS

Fig.	P/n	QTY	Name
------	-----	-----	------

Notes:

[Virtus J 120 -> ZKDY530200TS10001]

3	2.1529.138.0	2	special oil seal 210x240x19.5/21.5
---	--------------	---	------------------------------------



9_Y6946_01_0-A-001

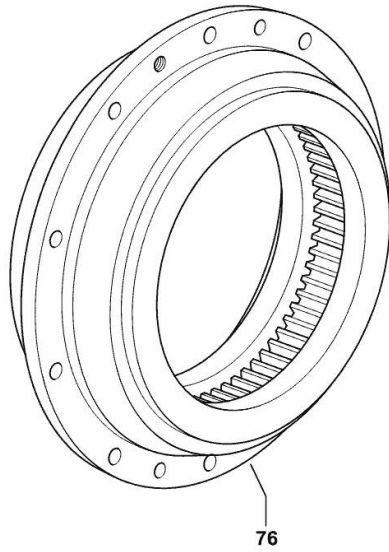
4WD - FRONT REDUCTION UNIT FOR TYPES WITH BRAKES

Fig.	P/n	QTY	Name
------	-----	-----	------

Notes:

[Virtus J 120 -> ZKDY530200TS10001]

76	0.011.0665.3	2	crown wheel
----	--------------	---	-------------



9_77843_02_0-B-001

FRONT WHEEL HUB COVER

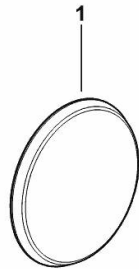
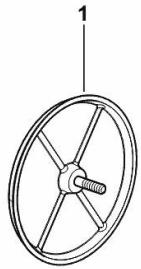
Fig.	P/n	QTY	Name
------	-----	-----	------

Notes:

[Virtus J 120 -> ZKDY530200TS10001]

1	0.019.4365.3	2	cover SX/LH/LI - DX/RH/RE
---	--------------	---	---------------------------

9_Y4946_10_0-A-001





Suggest:

For more complete manuals. Please go to the home page.

<https://www.ebooklibonline.com>

If the above button click is invalid. Please download this document first, and then click the above link to download the complete manual.

Thank you so much for reading

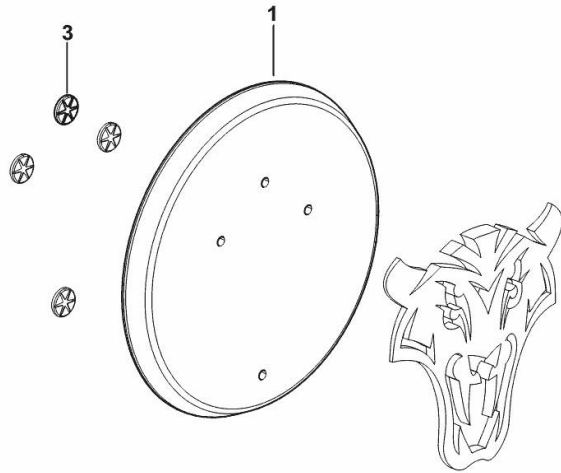
FRONT WHEEL HUB COVER

Fig.	P/n	QTY	Name
------	-----	-----	------

Notes:

[Virtus J 120 -> ZKDY530200TS10001]

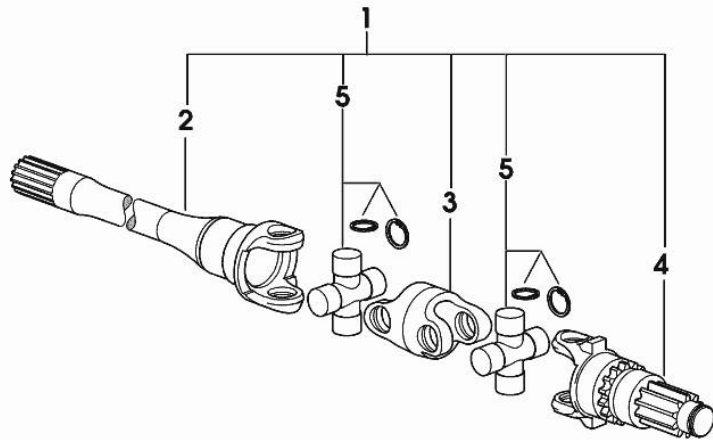
1	0.019.4365.7	2	cover
3	2.6999.076.0	8	spring washer



9_Y6946_10_0-B-001

4WD - AXLESHAFTS

Fig.	P/n	QTY	Name
1	0.010.5413.4/10	1	half-shaft
2	0.010.2569.0	1	half-shaft
3	0.010.2569.1	1	fork
4	0.010.2569.2	1	axle shaft
5	0.010.2570.0	2	constant-velocity joint



010_5413_4_10_A

<https://www.ebooklibonline.com>

Hello dear friend!

Thank you very much for reading.

Enter the link into your browser.

The full manual is available for immediate download.

<https://www.ebooklibonline.com>