

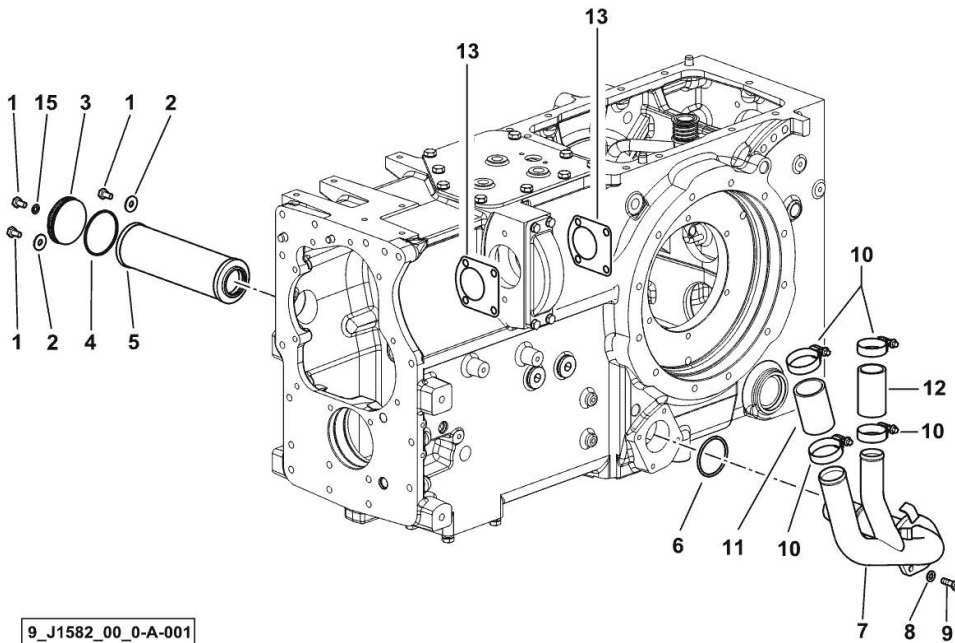
**OIL SUCTION**

Fig.	P/n	QTY	Name
------	-----	-----	------

**Notes:**

- FOR TYPES WITH MECHANICAL REMOTE VALVE CONTROL [Virtus 130 Infinity]

1	2.0112.204.2	3	screw m 8 p.1.25x14
2	2.1312.004.3	2	washer 8,4x24x2
3	0.013.8789.0/10	1	cover
4	2.1530.157.0	1	oil seal 64.77x2.62
5	2.4419.484.0	1	oil filter
6	2.1532.138.0	1	oil seal 55.56x3.53
7	0.015.6599.3	1	tube
8	2.1310.004.2	3	flat washer 8.4x17
9	2.0112.209.2	3	screw m 8 p 1.25 x 25
10	2.6851.004.0	4	clamp Ø 32/50
11	2.3213.240.0	1	sleeve
12	2.3213.234.0	1	sleeve Ø 34, L 70
13	0.9104.250.0/10	2	gasket
15	2.1560.004.0	1	copper gasket 8.2 x 14



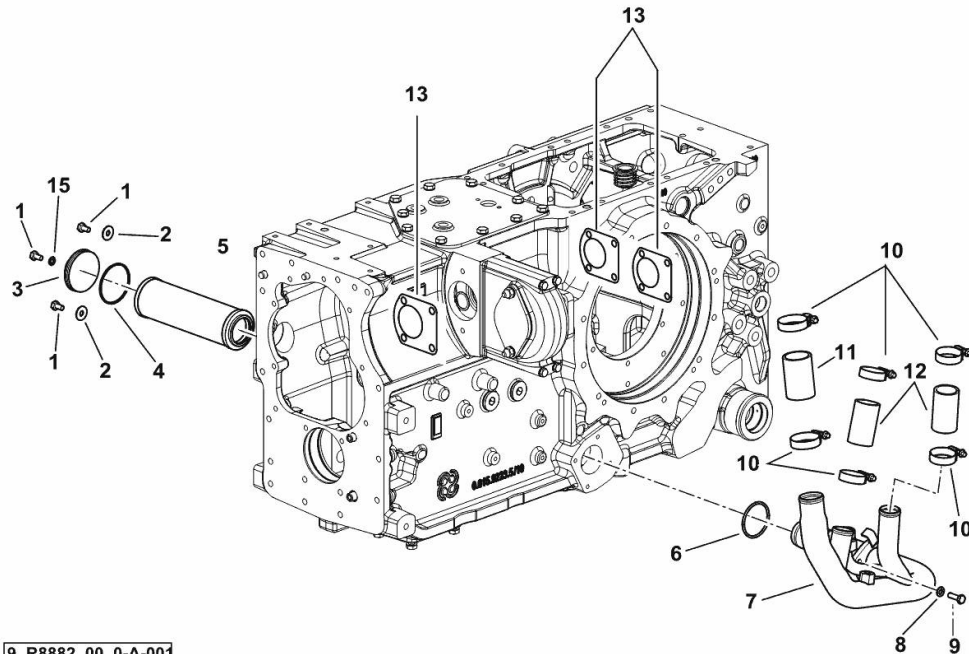
9\_J1582\_00\_0-A-001

**OIL SUCTION**

Fig.	P/n	QTY	Name
------	-----	-----	------

**Notes:**

- FOR TYPES WITH 8-WAY REMOTE VALVE WITH FLOW CONTROL [Virtus 130 Infinity] - FOR TYPES WITH ELECTRICAL REMOTE VALVE CONTROL [Virtus 130 Infinity]



1	2.0112.204.2	3	screw m 8 p.1.25x14
2	2.1312.004.3	2	washer 8,4x24x2
3	0.013.8789.0/10	1	cover
4	2.1530.157.0	1	oil seal 64.77x2.62
5	2.4419.795.0	1	hydr.oil filter elem.
6	2.1532.138.0	1	oil seal 55.56x3.53
7	0.017.5872.3	1	tube
8	2.1310.004.2	3	flat washer 8.4x17
9	2.0112.209.2	3	screw m 8 p 1.25 x 25
10	2.6851.004.0	4	clamp Ø 32/50
11	2.3213.240.0	1	sleeve
12	2.3213.234.0	2	sleeve Ø 34, L 70
13	0.9104.250.0/10	3	gasket
15	2.1560.004.0	1	copper gasket 8.2 x 14

9\_R8882\_00\_0-A-001

Virtus 130 Infinity

Section: H0 - HYDRAULIC AND PNEUMATIC SYSTEM|

Ref: H0.01.10 (1)

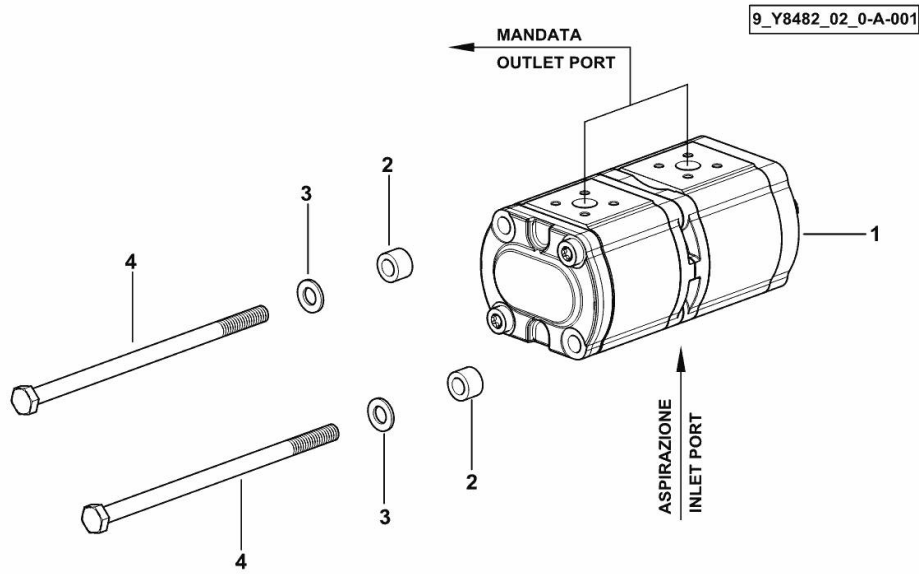
**HYDRAULIC PUMP 14 + 11 cm<sup>3</sup>, dx/rh/re**

Fig.	P/n	QTY	Name
------	-----	-----	------

**Notes:**

[Virtus 130 Infinity]

1	2.4539.860.0	1	hydraulic pump 14 + 11 cm <sup>3</sup> , dx/rh/re, ( BOSCH )
2	2.1549.781.2	2	spacer 10.5x12x18
3	2.1475.003.2	2	washer 10
4	2.0113.346.2	2	screw m 10 p1.5 x 200



**<https://www.ebooklibonline.com>**

Hello dear friend!

Thank you very much for reading.

Enter the link into your browser.

The full manual is available for immediate download.

**<https://www.ebooklibonline.com>**

Virtus 130 Infinity

Section: H0 - HYDRAULIC AND PNEUMATIC SYSTEM|

Ref: H0.01.11 (1)

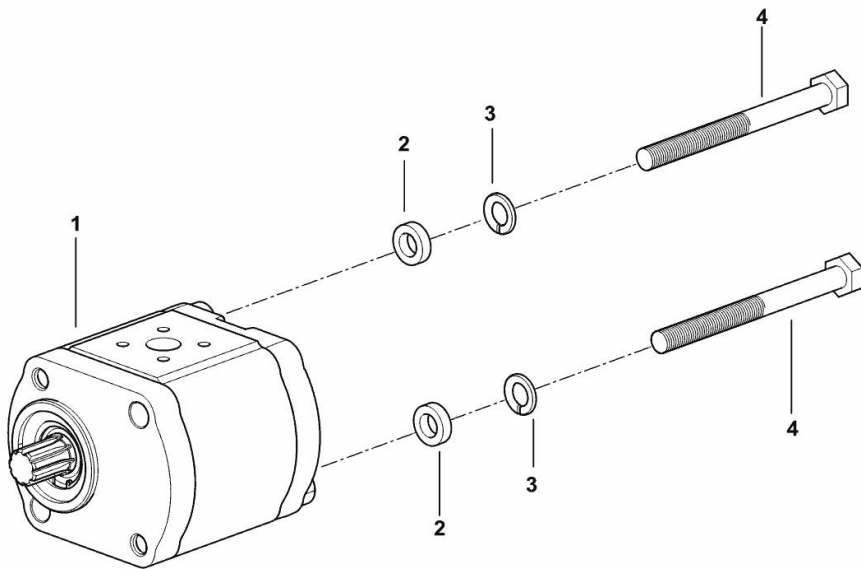
**HYDRAULIC PUMP 14 cc dx/rh/re**

Fig.	P/n	QTY	Name
------	-----	-----	------

**Notes:**

[Virtus 130 Infinity]

1	2.4539.480.0/10	1	hydraulic pump 14 cc dx/rh/re - BOSCH ☞ 2.4539.480.0/10
2	2.1549.321.0	2	spacer 10.5X18X5
3	2.1474.010.2	2	washer 10
4	2.0112.331.2	2	screw m 10 p.1.5x110



9\_R8982\_01\_0-A-001

Virtus 130 Infinity

Section: H0 - HYDRAULIC AND PNEUMATIC SYSTEM|

Ref: H0.01.12 (1)

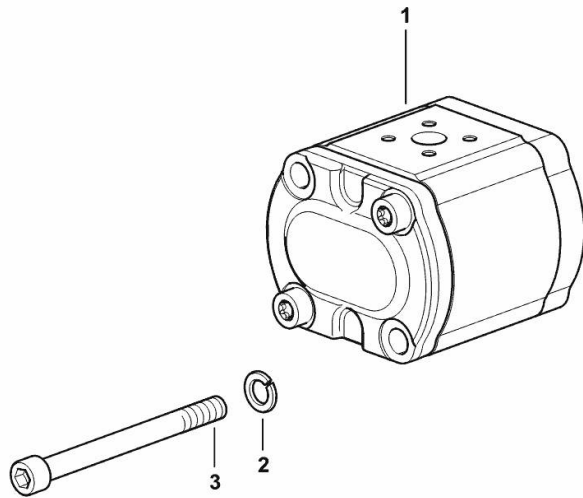
**HYDRAULIC PUMP 22.5 cc - dx/rh/re**

Fig.	P/n	QTY	Name
------	-----	-----	------

**Notes:**

[Virtus 130 Infinity]

1	2.4539.620.0/10	1	hydraulic pump 22.5 cc dx/rh/re - BOSCH - ☞ 2.4539.620.0/10
2	2.1480.015.2	2	washer 10
3	2.0169.019.2	2	screw m 10x135



9\_21082\_01\_0-A-001

Virtus 130 Infinity

Section: H0 - HYDRAULIC AND PNEUMATIC SYSTEM]

Ref: H0.01.13 (1)

**QUIET-RUNNING HYDRAULIC PUMP 16 cm<sup>3</sup>, sx/lh/li**

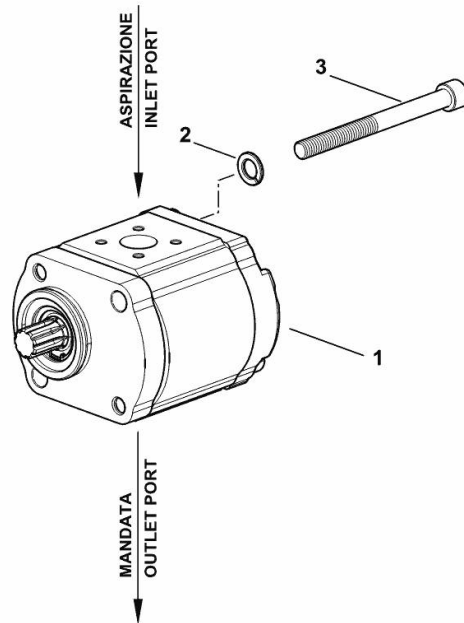
Fig.	P/n	QTY	Name
------	-----	-----	------

Notes:

[Virtus 130 Infinity]

1	2.4539.015.0	1	hydraulic pump 16 cm <sup>3</sup> , sx/lh/li - BOSCH
2	2.1474.010.2	2	washer 10
3	2.0312.327.2	2	screw m 10 p.1.5x110

9\_Y8182\_01\_0-A-001



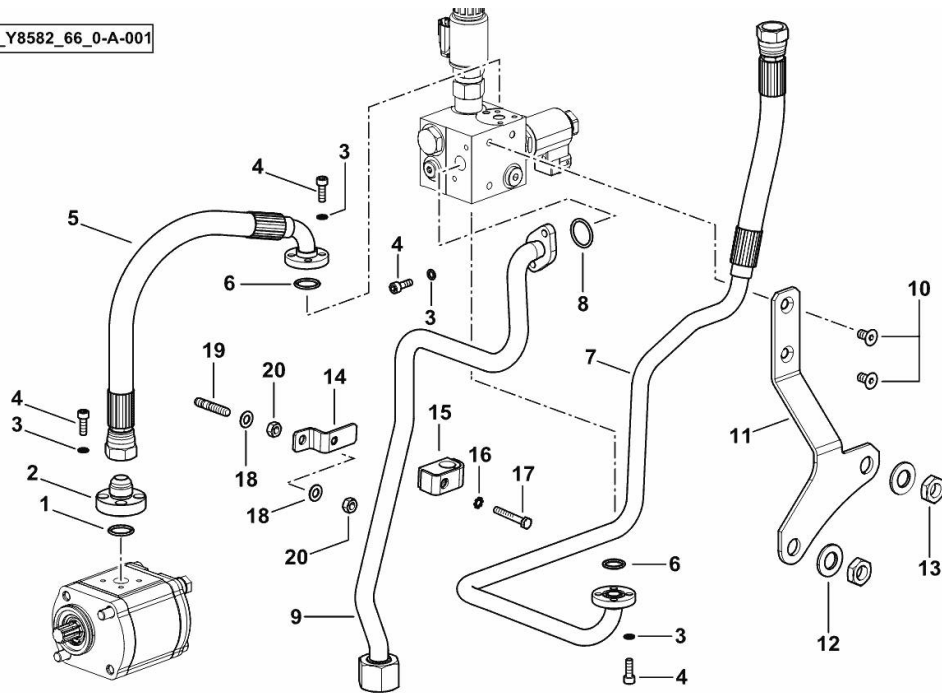
**HYDRAULIC SYSTEM**

Fig.	P/n	QTY	Name
------	-----	-----	------

**Notes:**

- FOR TYPES WITH 8-WAY REMOTE VALVE WITH FLOW CONTROL [Virtus 130 Infinity]

9\_Y8582\_66\_0-A-001



1	2.1531.052.0	1	oil seal 20.29 x 2.62
2	0.010.9142.0/10	1	flange
3	2.1480.012.2	12	washer 6, d128
4	2.0312.105.2	12	screw m 6 p.1 x 18
5	0.019.5740.3	1	tube
6	2.1531.043.0	2	oil seal 17.13x2.62
7	0.019.5376.3	1	tube
8	2.1531.062.0	1	oil seal 23.81 x 2.62
9	0.019.5391.3	1	tube
10	2.0342.303.6	2	screw m 8 p. 1.25x16
11	0.019.5710.0	1	bracket
12	2.1310.009.2	2	flat washer 15x20
13	2.1011.508.2	2	nut m 14 p.1.5
14	0.020.0426.3	1	bracket
15	2.3320.108.0	1	terminal
16	2.1470.002.2	1	lock washer 6
17	2.0112.015.2	1	screw m 6 p.1x40
18	2.1310.004.2	2	flat washer 8.4x17
19	2.0422.207.2	1	stud bolt m 8 p 1.25 x 30
20	2.1011.105.2	2	nut m 8 p.1.25

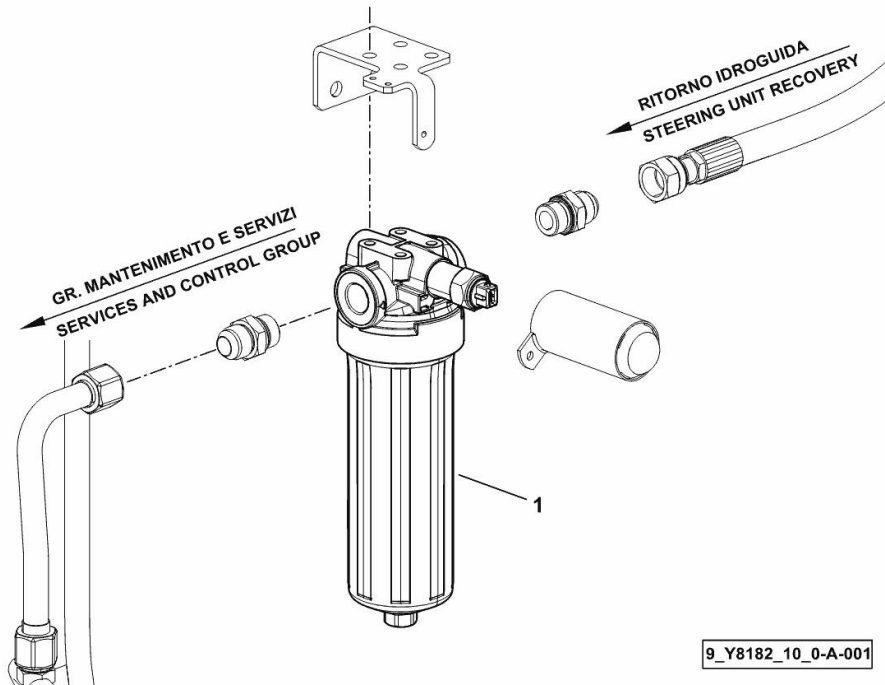
**OIL PRESSURE LINE FILTER**

Fig.	P/n	QTY	Name
------	-----	-----	------

**Notes:**

[Virtus 130 Infinity]

1	2.4419.813.0	1	oil filter 9" ☞ 2.4419.813.0
---	--------------	---	---------------------------------



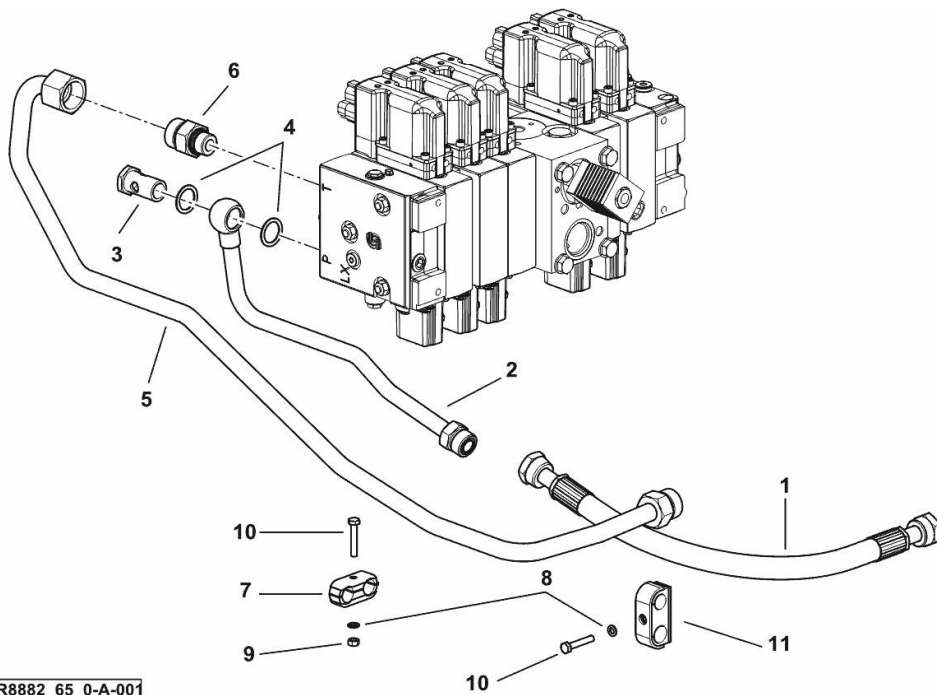
**HYDRAULIC SYSTEM FOR SECOND PUMP**

Fig.	P/n	QTY	Name
------	-----	-----	------

**Notes:**

- FOR TYPES WITH ELECTRICAL REMOTE VALVE CONTROL [Virtus 130 Infinity]

1	0.017.8992.3	1	tube
2	0.017.8991.3	1	tube
3	2.3335.009.2	1	pipe union m 22 p.1.5 x 39
4	2.1560.018.0	2	gasket 22.2 x 29
5	0.017.8993.3	1	tube
6	2.3275.016.0	1	pipe fitting m 22
7	2.3321.020.0	1	collar Ø 16/16
8	2.1470.002.2	2	lock washer 6
9	2.1011.103.2	1	nut m 6 p.1
10	2.0112.013.2	2	screw m 6 p.1 x 35
11	2.3320.217.0	1	collar Ø 16/18



9\_R8882\_65\_0-A-001



**Suggest:**

**For more complete manuals. Please go to the home page.**

**<https://www.ebooklibonline.com>**

**If the above button click is invalid. Please download this document first, and then click the above link to download the complete manual.**

**Thank you so much for reading**

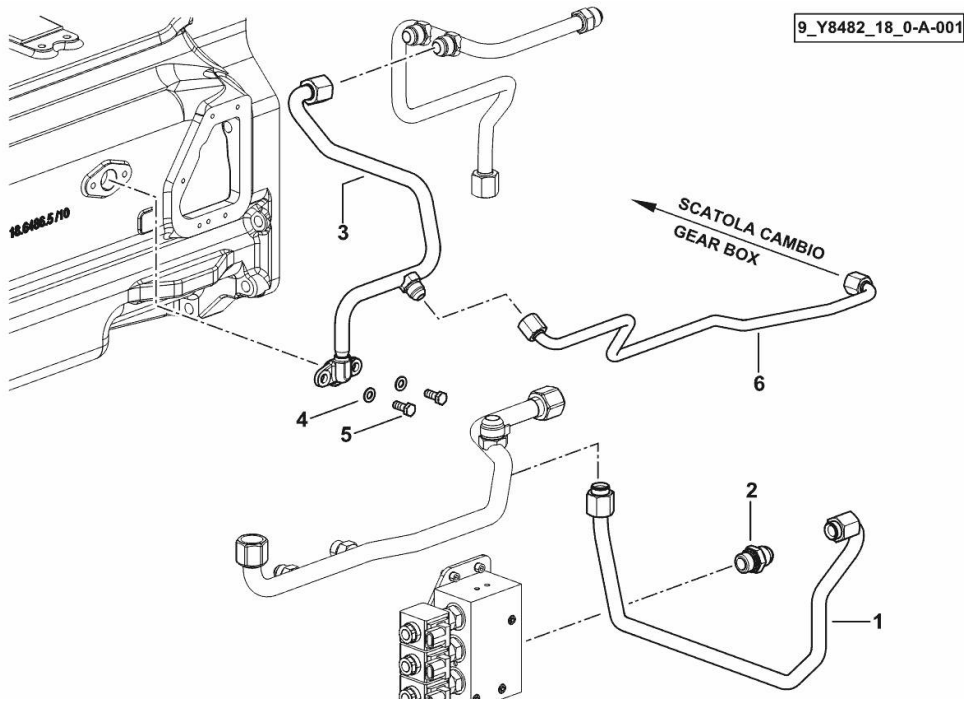
**HYDRAULIC SYSTEM PARTS KIT H-M-L**

Fig.	P/n	QTY	Name
------	-----	-----	------

**Notes:**

- POWERSHIFT [Virtus 130 Infinity]

1	0.019.3782.3	1	tube
2	2.3249.173.2	1	pipe fitting M/M 7/8 JIC-M22
3	0.019.3783.3/10	1	tube
4	2.1310.004.2	2	flat washer 8.4x17
5	2.0112.207.2	2	screw m 8 p 1.25 x 20
6	0.020.0667.3	1	tube



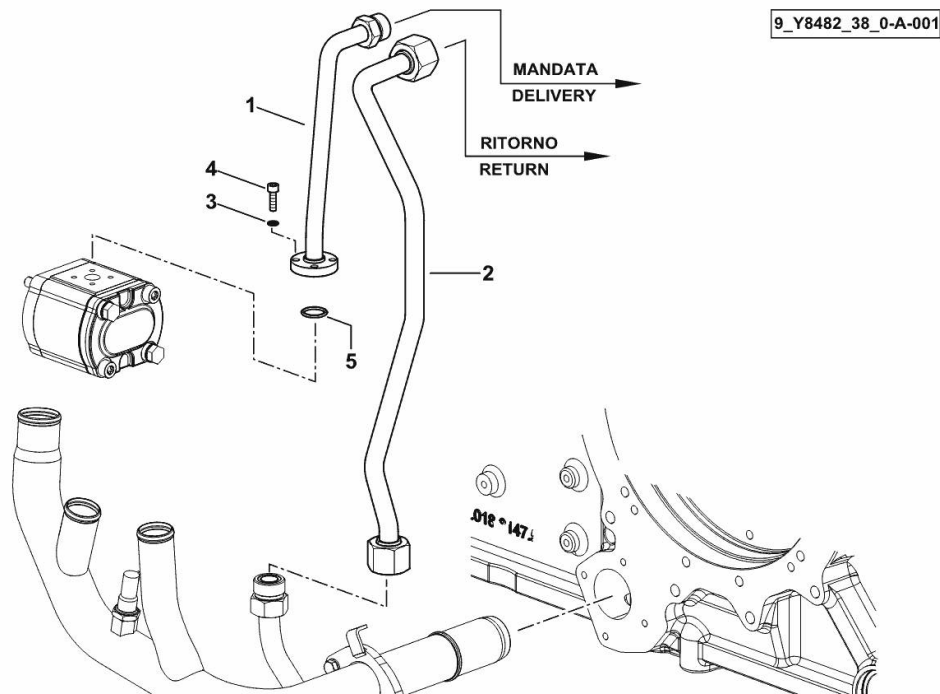
**HYDRAULIC SYSTEM PARTS KIT**

Fig.	P/n	QTY	Name
------	-----	-----	------

**Notes:**

- FOR TYPES WITH ELECTRICAL REMOTE VALVE CONTROL [Virtus 130 Infinity]

1	0.017.8994.3	1	tube - DELIVERY
2	0.019.5678.3	1	tube - RETURN
3	2.1480.012.2	4	washer 6, d128
4	2.0312.106.2	4	screw m 6 p.1 x 20
5	2.1531.052.0	1	oil seal 20.29 x 2.62



**<https://www.ebooklibonline.com>**

Hello dear friend!

Thank you very much for reading.

Enter the link into your browser.

The full manual is available for immediate download.

**<https://www.ebooklibonline.com>**