

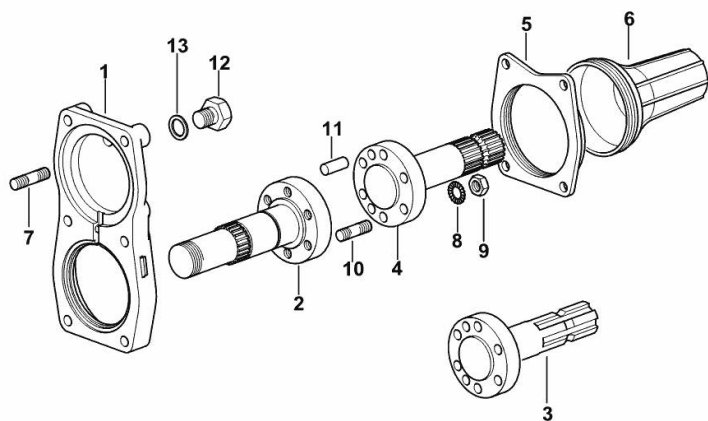
P.T.O. - WITH INSERTED END SHAFTS

Fig.	P/n	QTY	Name
------	-----	-----	------

Notes:

[Virtus 120 -> ZKDY7302W0TS10001]

1	0.008.4061.0/30	1	cover (10085 <-)
1	0.008.4061.0/40	1	cover
2	0.008.4060.0/50	1	power take-off shaft
3	0.167.3660.0/30	1	power take-off shaft 1" 3/8, Z = 6
4	0.163.3671.0/40	1	power take-off shaft 1" 3/8, Z = 21
5	0.445.3151.0/10	1	flange
6	0.008.0757.0	1	guard
7	2.0432.163.7	6	stud bolt m 10 p.1.5 / p.1.25 x 45
8	2.1470.006.2	12	lock washer 10
9	2.1012.421.7	12	nut m 10 p.1.25
10	2.0433.155.7	6	stud bolt m 10 p.1.25 x 25
11	2.1651.811.0	2	cylindrical plug 10x24
12	2.3110.403.1	1	plug m 14 p.1.5x12
13	2.1560.010.0	1	gasket 14.2 x 20



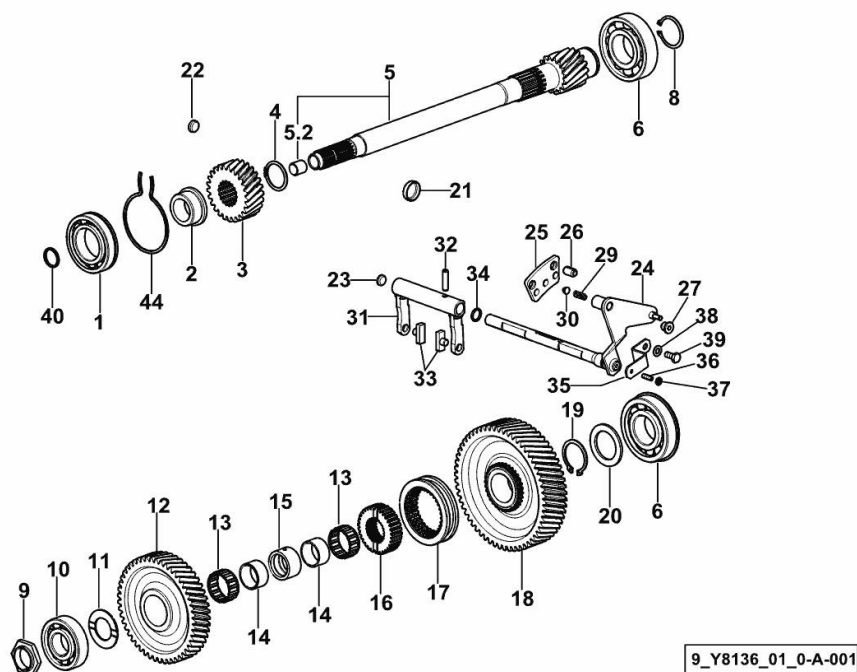
9_B8636_04_0-A-001

P.T.O. - 2 SPEED TYPE

Fig.	P/n	QTY	Name
------	-----	-----	------

Notes:

[Virtus 120 -> ZKDY7302W0TS10001]



1	2.2999.204.0	1	special bearing 50 x 90 x 20
2	0.008.5882.0	1	special bushing
3	0.018.4279.0	1	gear Z = 25
4	2.1410.016.1	1	circlip 40
5	0.018.4281.3/10	1	power take-off shaft
5.2	2.1559.023.0/10	1	special bushing 15.8x19x20
6	2.2062.013.0	2	ball bearing 45x100x25
8	2.1410.018.7	1	circlip 45
9	0.255.3661.0	1	ring nut m 35x1.5
10	2.2060.011.0	1	ball bearing 35 x 80 x 21
11	2.1599.502.0/10	1	shoulder ring 35x60x3
12	0.018.4278.0	1	gear Z = 49
13	2.2770.074.0	2	roller cage 40x48x20
14	2.1559.228.0	2	special bushing 35 x 40 x 20.5
15	2.1549.274.0	1	spacer 35x45x25
16	0.007.7903.0	1	hub Z = 32
17	0.007.7902.0	1	sleeve
18	0.018.4277.0	1	gear Z = 58
19	2.1412.017.7	1	circlip 45
20	2.1589.323.0	1	shoulder ring 45x65x4
21	2.3171.012.4	1	plug Ø 30
22	2.3171.007.4	1	plug Ø 18
23	2.3171.006.4	1	plug Ø 16
24	0.019.1030.2/10	1	lever
25	0.014.8955.0/20	1	small plate
26	2.1630.910.2	2	pin 12 x 20
27	2.0319.007.2	1	screw m 12 p.1.5
29	2.4019.622.1	1	spring 6.3 x 9.5 x 1.6 x 22.4
30	0.015.1844.0	1	pin
31	0.015.6011.2	1	fork
32	2.1630.713.0	1	roll pin 8x32
33	0.255.6463.0	2	shoe
34	2.1530.038.0	1	oil seal 15.54x2.62
35	0.014.8971.0	1	small plate
36	2.0532.108.7	1	grub screw m6x1x20
37	2.1011.203.2	1	nut m 6 p.1
38	2.1475.002.2	1	conical washer 8
39	2.0112.206.2	1	screw m 8 p.1.25 x 18
40	2.1530.062.0	1	oil seal 23.81 x 2.62
44	2.1499.123.1/10	1	circlip 86 x 2.46

4 SPEED P.T.O.

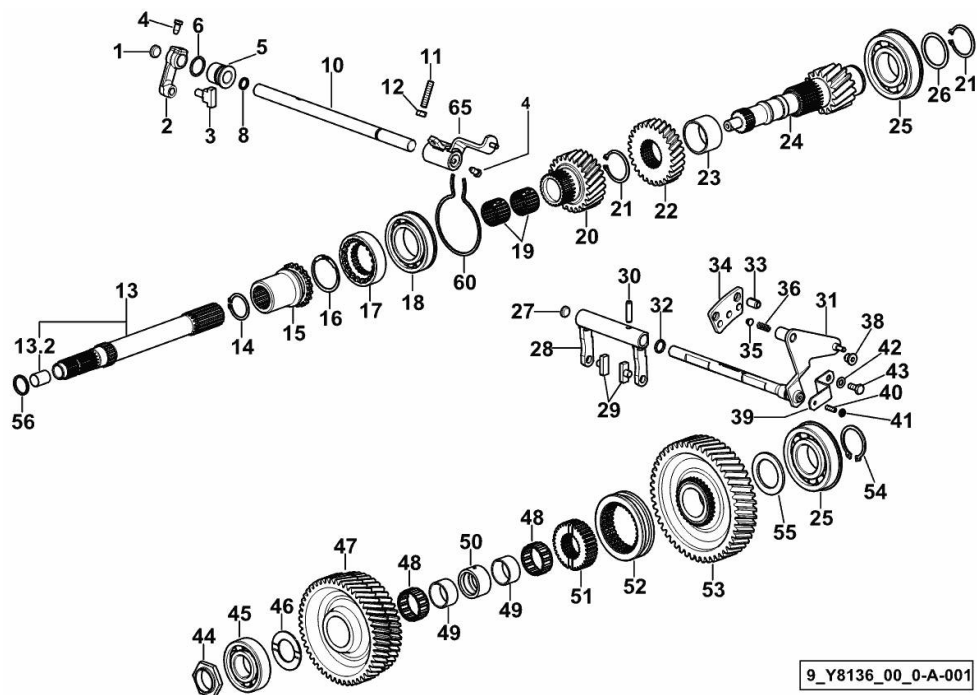


Fig.	P/n	QTY	Name
------	-----	-----	------

Notes:

[Virtus 120 -> ZKDY7302W0TS10001]

1	2.3171.007.4	1	plug Ø 18
2	0.007.3492.0	1	small lever
3	0.008.4412.0	1	shoe
4	2.0399.019.1	2	screw m 8 p.1 x 16
5	0.008.4379.0	1	special bushing
6	2.1530.066.0	1	oil seal 25.07x2.62
8	2.1530.033.0	1	oil seal 13.10x2.62
10	0.020.0142.0	1	rod
11	2.0512.216.2	2	screw m 8 x 40
12	2.1011.105.2	2	nut m 8 p.1.25
13	0.008.4054.3/40	1	power take-off shaft
13.2	2.1559.023.0/10	2	special bushing 15.8x19x20
14	2.1410.014.1	1	circlip 35
15	0.008.4618.0	1	sleeve
16	2.1499.085.0	1	circlip 45.8
17	0.008.4619.0	1	crown wheel
18	2.2999.204.0	1	special bearing 50 x 90 x 20
19	2.2999.219.0	2	roller cage 32x37x25
20	0.018.4283.0	1	gear Z = 25
21	2.1410.018.7	2	circlip 45
22	0.018.4282.0	1	gear Z = 28
23	2.1579.968.0	1	spacer 45.5x52x30
24	0.008.5847.0/30	1	power take-off shaft
25	2.2062.013.0	2	ball bearing 45x100x25
26	2.1599.541.0	1	shoulder ring 45x55x2
27	2.3171.006.4	1	plug Ø 16
28	0.015.6011.2	1	fork
29	0.255.6463.0	2	shoe
30	2.1630.713.0	1	roll pin 8x32
31	0.019.1030.2/10	1	lever
32	2.1530.038.0	1	oil seal 15.54x2.62
33	2.1630.910.2	2	pin 12 x 20
34	0.014.8955.0/20	1	small plate
35	0.015.1844.0	1	pin
36	2.4019.622.1	1	spring 6.3 x 9.5 x 1.6 x 22.4
38	2.0319.007.2	1	screw m 12 p.1.5
39	0.014.8971.0	1	small plate
40	2.0532.108.7	1	grub screw m6x1x20
41	2.1011.203.2	1	nut m 6 p.1
42	2.1475.002.2	1	conical washer 8
43	2.0112.206.2	1	screw m 8 p.1.25 x 18

<https://www.ebooklibonline.com>

Hello dear friend!

Thank you very much for reading.

Enter the link into your browser.

The full manual is available for immediate download.

<https://www.ebooklibonline.com>

4 SPEED P.T.O.

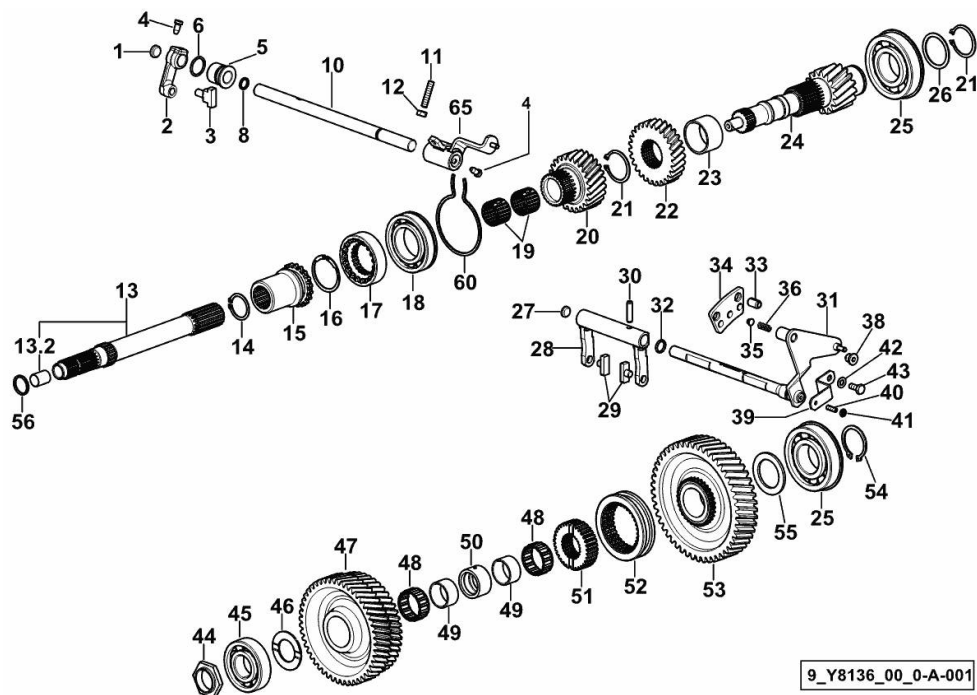
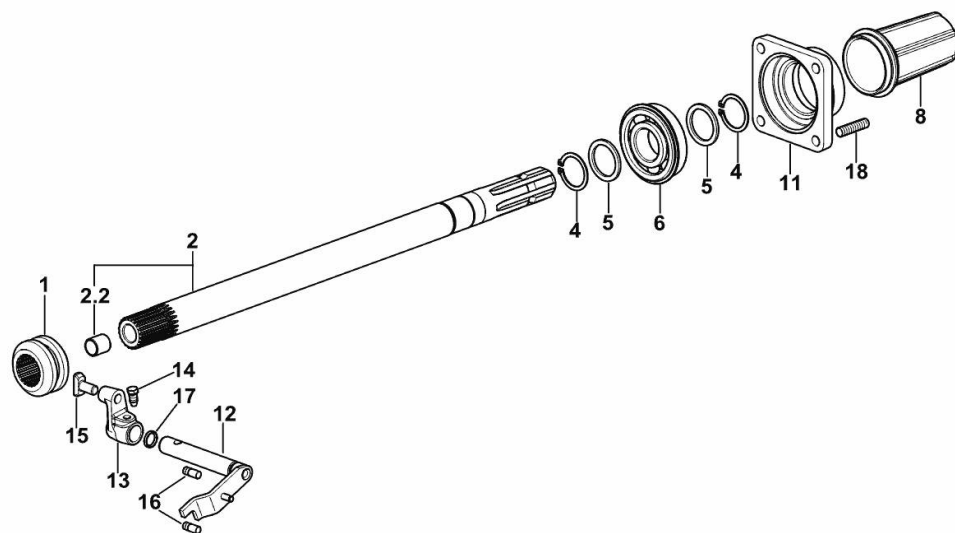


Fig.	P/n	QTY	Name
44	0.255.3661.0	1	ring nut m 35x1.5
45	2.2060.011.0	1	ball bearing 35 x 80 x 21
46	2.1599.502.0/10	1	shoulder ring 35x60x3
47	0.018.4284.0	1	gear Z = 46 / 49
48	2.2770.074.0	2	roller cage 40x48x20
49	2.1559.228.0	2	special bushing 35 x 40 x 20.5
50	2.1549.274.0	1	spacer 35x45x25
51	0.007.7903.0	1	hub Z = 32
52	0.007.7902.0	1	sleeve
53	0.007.7901.0/10	1	gear Z = 49 / Z = 32
54	2.1412.017.7	1	circlip 45
55	2.1589.323.0	1	shoulder ring 45x65x4
56	2.1530.062.0	1	oil seal 23.81 x 2.62
60	2.1499.123.1/10	1	circlip 86 x 2.46
65	0.020.0138.3	1	lever

ROAD P.T.O. SHAFT



9_Y8136_02_0-A-001

Fig.	P/n	QTY	Name
------	-----	-----	------

Notes:

[Virtus 120 -> ZKDY7302W0TS10001]

1	0.008.4617.0	1	sleeve
2	0.008.4124.3/50	1	power take-off shaft
2.2	2.1559.023.0/10	1	special bushing 15.8x19x20
4	2.1410.014.1	2	circlip 35
5	2.1599.874.0	2	washer 35 x 45 x 3.0
6	2.2062.011.0	1	ball bearing 35 x 80 x 21
8	0.154.3655.0/10	1	guard
11	0.008.4062.0/10	1	cover
12	0.019.0876.3	1	lever
13	0.255.3470.0	1	lever
14	2.0399.019.1	1	screw m 8 p.1 x 16
15	0.001.5945.0/10	1	shoe
16	2.0439.002.1	2	stud bolt m 8 p.1.25 x 20
17	2.1530.033.0	1	oil seal 13.10x2.62
18	2.0432.155.7	4	stud bolt m 10 p.1.5 / p. 1.25 x 25

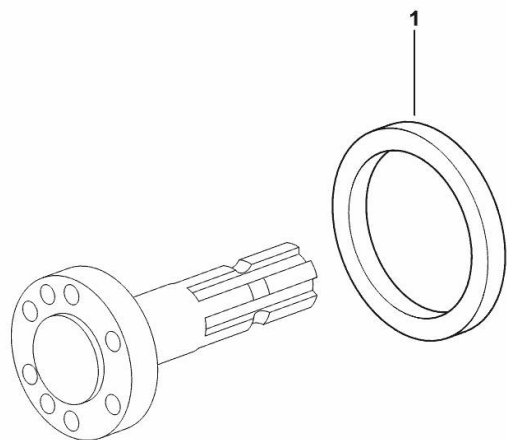
PTO - SEAL RING FOR INSERTED END SHAFT - STANDARD VERSION

Fig.	P/n	QTY	Name
------	-----	-----	------

Notes:

[Virtus 120 -> ZKDY7302W0TS10001]

1	2.1520.043.0	1	oil seal 85 x 110 x 12
---	--------------	---	------------------------



9_52636_03_0-A-001

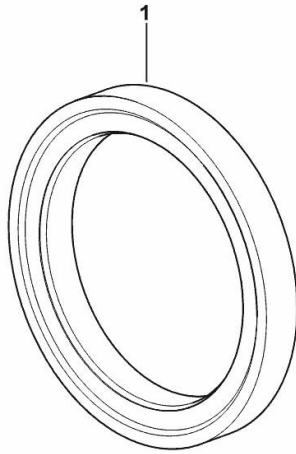
WATERPROOF OIL SEAL FOR PTO WITH REMOVABLE OUTPUT SHAFTS

Fig.	P/n	QTY	Name
------	-----	-----	------

Notes:

[Virtus 120 -> ZKDY7302W0TS10001]

1	2.1529.183.0	1	special oil seal
---	--------------	---	------------------



9_Y8136_04_0-A-001

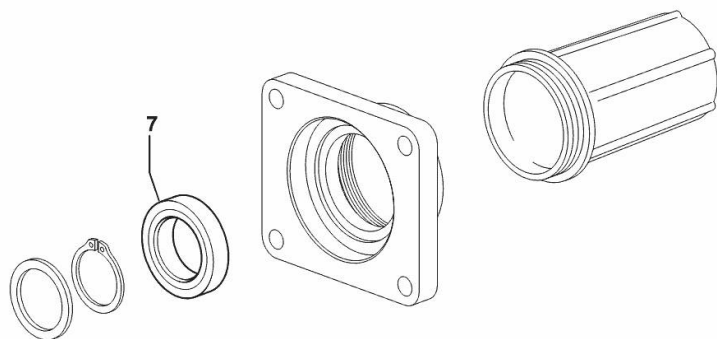
P.T.O. - SYNCHRONIZED - WITH STANDARD SEALS

Fig.	P/n	QTY	Name
------	-----	-----	------

Notes:

[Virtus 120 -> ZKDY7302W0TS10001]

7	2.1520.017.0	1	oil seal 35x55x11
---	--------------	---	-------------------



9_52636_04_0-A-001

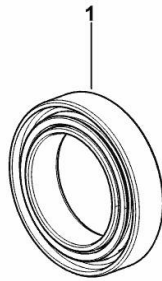
WATERPROOF OIL SEAL FOR GROUND SPEED PTO

Fig.	P/n	QTY	Name
------	-----	-----	------

Notes:

[Virtus 120 -> ZKDY7302W0TS10001]

1	2.1529.107.0	1	special oil seal 35x55x12.5
---	--------------	---	-----------------------------



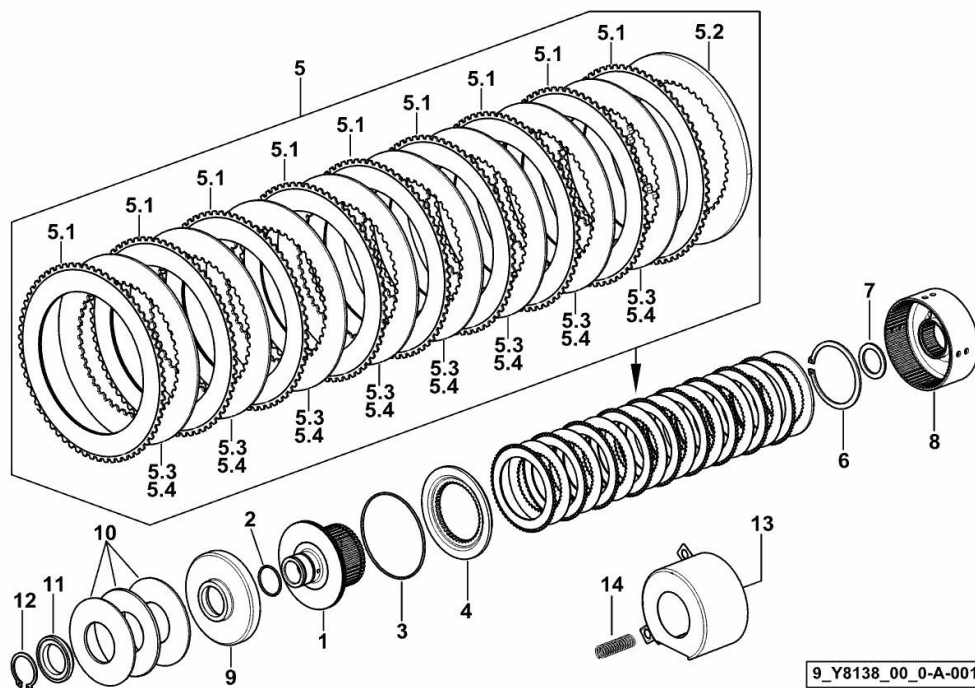
9_Y8136_05_0-A-001

4WD - ELECTROHYDRAULIC ENGAGEMENT CONTROL

Fig.	P/n	QTY	Name
------	-----	-----	------

Notes:

- FOR TYPES WITH SBA / ASM [Virtus 120 -> ZKDY7302W0TS10001] 10085 <-



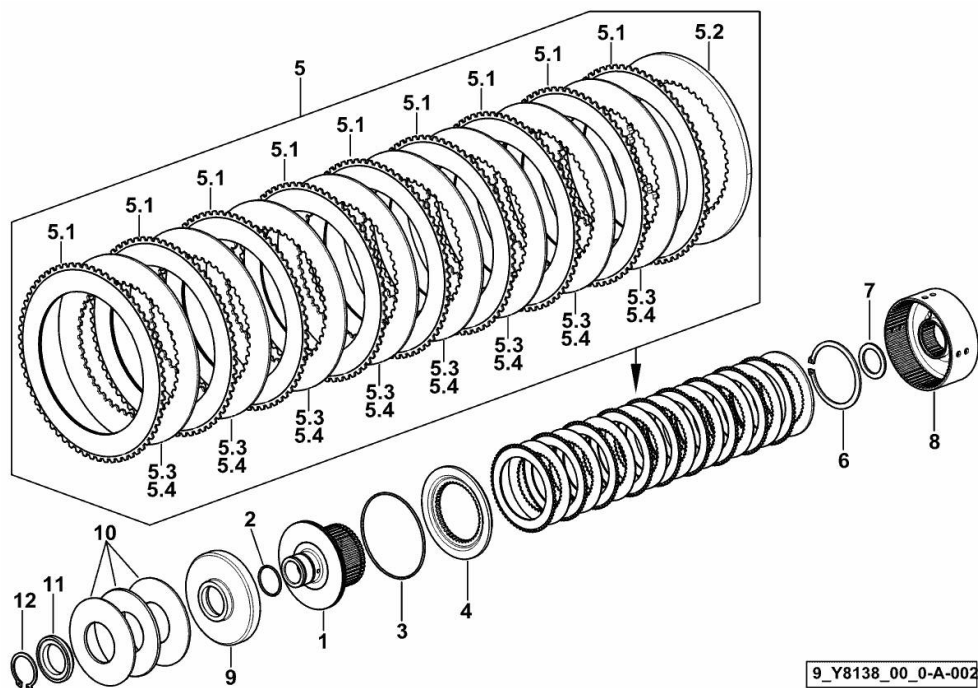
1	0.018.9455.2	1	hub
2	2.1532.102.0	1	oil seal 39.42x2.62
3	2.1532.502.0	1	oil seal 120.32x2.62
4	0.018.8706.0	1	disc mm 12
5	0.019.5119.3	1	clutch assy
5.1	0.018.8872.2	9	clutch plate
5.2	0.018.8887.0	1	disc mm 4
5.3	0.018.8886.0	4	disc mm 1.7
5.4	0.018.8873.0	4	disc mm 1.5
6	2.1410.036.2	1	circlip 90
7	2.1599.924.0	1	slewing ring 52x37x3.5
8	0.018.9432.0/10	1	box
9	0.018.9456.0	1	piston
10	2.1499.261.7	3	spring 130x60
11	0.018.9465.0	1	spacer
12	2.1412.017.7	1	circlip 45
13	0.018.6696.2/10	1	guard
14	2.4019.472.2	1	spring

4WD - ELECTROHYDRAULIC ENGAGEMENT CONTROL

Fig.	P/n	QTY	Name
------	-----	-----	------

Notes:

- FOR TYPES WITH SBA / ASM [Virtus 120 -> ZKDY7302W0TS10001]



9_Y8138_00_0-A-002

1	0.018.9455.2	1	hub
2	2.1532.102.0	1	oil seal 39.42x2.62
3	2.1532.502.0	1	oil seal 120.32x2.62
4	0.018.8706.0	1	disc mm 12
5	0.019.5119.3	1	clutch assy
5.1	0.018.8872.2	9	clutch plate
5.2	0.018.8887.0	1	disc mm 4
5.3	0.018.8886.0	4	disc mm 1.7
5.4	0.018.8873.0	4	disc mm 1.5
6	2.1410.036.2	1	circlip 90
7	2.1599.924.0	1	slewing ring 52x37x3.5
8	0.018.9432.0/10	1	box
9	0.018.9456.0	1	piston
10	2.1499.261.7	3	spring 130x60
11	0.018.9465.0	1	spacer
12	2.1412.017.7	1	circlip 45

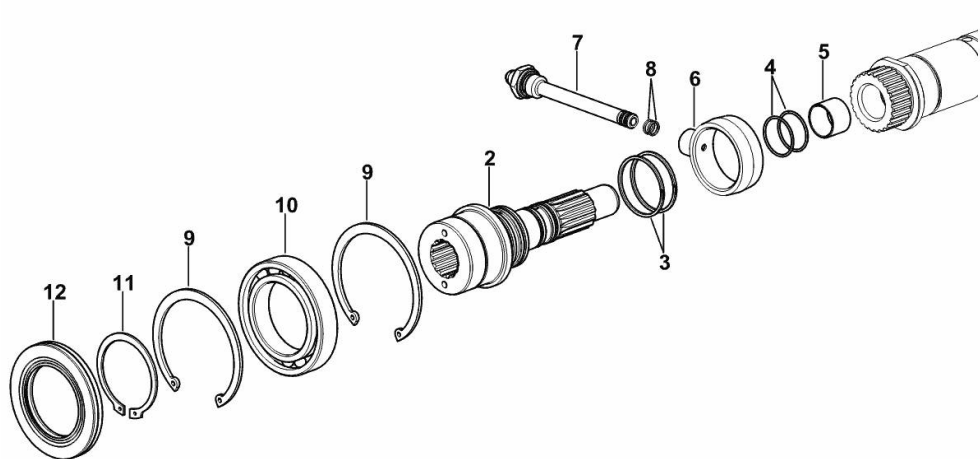
4WD - ELECTROHYDRAULIC ENGAGEMENT CONTROL

Fig.	P/n	QTY	Name
------	-----	-----	------

Notes:

- FOR TYPES WITH SBA / ASM [Virtus 120 -> ZKDY7302W0TS10001] 10085 <-

2	0.018.9695.3	1	shaft
3	2.1569.109.0/10	2	gasket 46 x 50 x 2.0
4	2.1539.154.0	2	special oil seal 28.3x1.78
5	2.1555.314.0	1	bushing 25x28x20
6	0.020.0047.0	1	manifold
7	2.3249.647.2/10	1	pipe fitting
8	2.1530.019.0	2	oil seal 9.25x1.78
9	2.1411.038.1	2	circlip 95
10	2.2030.013.0	1	ball bearing 60x95x18
11	2.1410.024.1	1	circlip Ø 60 mm
12	0.008.4624.0	1	special oil seal 60x95x10



9_Y8138_01_0-C-001

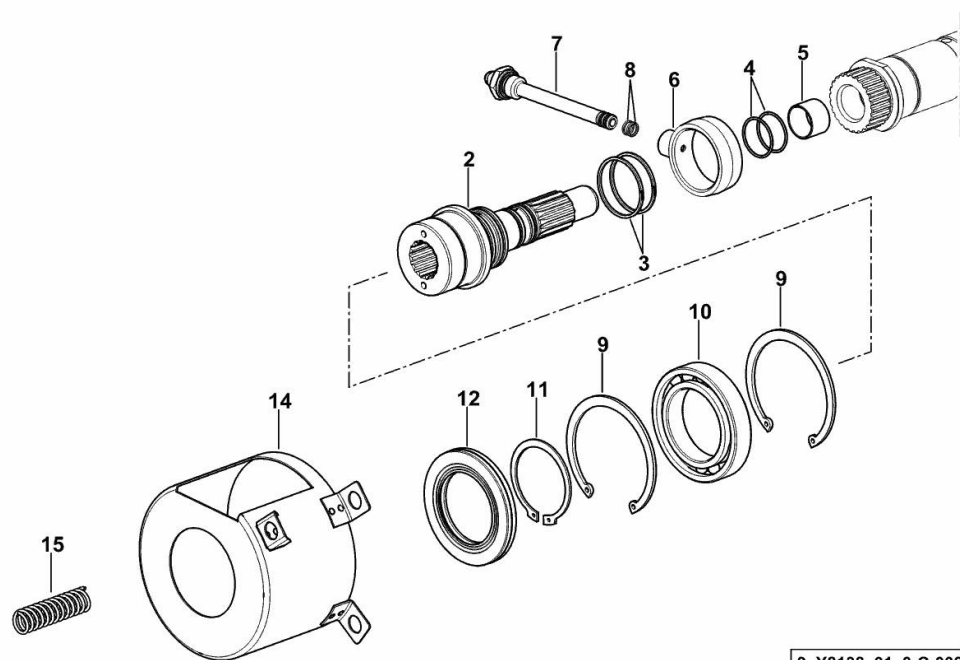
4WD - ELECTROHYDRAULIC ENGAGEMENT CONTROL

Fig.	P/n	QTY	Name
------	-----	-----	------

Notes:

- FOR TYPES WITH SBA / ASM [Virtus 120 -> ZKDY7302W0TS10001]

2	0.018.9695.3	1	shaft
3	2.1569.109.0/10	2	gasket 46 x 50 x 2.0
4	2.1539.154.0	2	special oil seal 28.3x1.78
5	2.1555.314.0	1	bushing 25x28x20
6	0.020.0047.0	1	manifold
7	2.3249.647.2/10	1	pipe fitting
8	2.1530.019.0	2	oil seal 9.25x1.78
9	2.1411.038.1	2	circlip 95
10	2.2030.013.0	1	ball bearing 60x95x18
11	2.1410.024.1	1	circlip Ø 60 mm
12	0.008.4624.0	1	special oil seal 60x95x10
14	0.018.6696.2/20	1	guard
15	2.4019.472.2	1	spring



9_Y8138_01_0-C-002



Suggest:

For more complete manuals. Please go to the home page.

<https://www.ebooklibonline.com>

If the above button click is invalid. Please download this document first, and then click the above link to download the complete manual.

Thank you so much for reading

Virtus 120 -> ZKDY7302W0TS10001

Section: D0 - TRANSMISSION

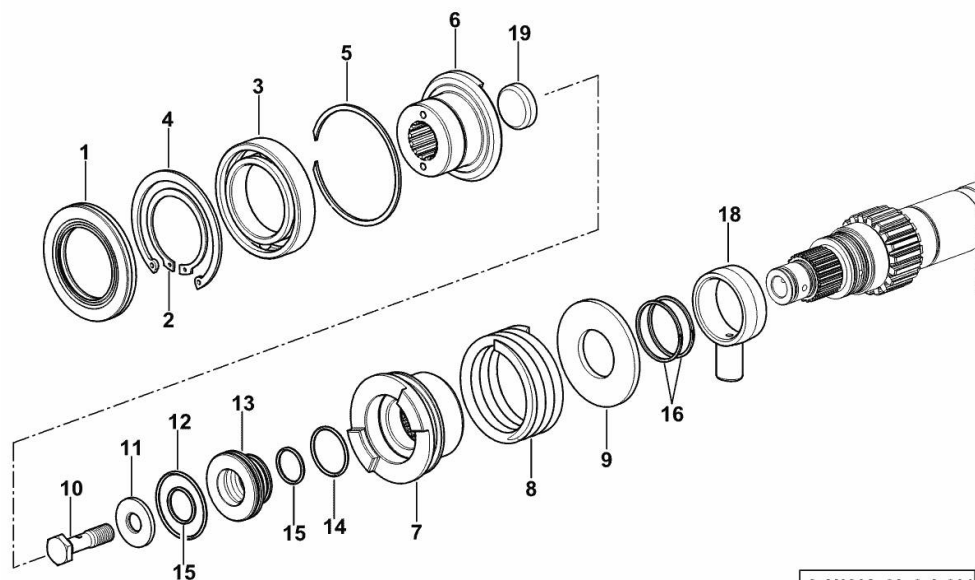
Ref: D0.15.2 (1)

4WD - ELECTROHYDRAULIC ENGAGEMENT CONTROL - EASY SHIFT

Fig.	P/n	QTY	Name
------	-----	-----	------

Notes:

- FOR TYPES WITHOUT SBA / ASM [Virtus 120 -> ZKDY7302W0TS10001]



9_Y6938_00_0-A-001

1	0.008.4624.0	1	special oil seal 60x95x10
2	2.1410.024.1	1	circlip Ø 60 mm
3	2.2030.013.0	1	ball bearing 60x95x18
4	2.1411.038.1	1	circlip 95
5	2.1429.072.0	1	shoulder ring
6	0.018.9874.0	1	sleeve
7	0.013.9292.0	1	sleeve
8	2.4019.785.1/20	1	spring
9	2.1599.888.0/10	1	slewing ring 40x87x5.5
10	2.0399.306.0	1	screw
11	2.1499.226.0	1	washer 15x40x4
12	2.1530.125.0	1	oil seal 50.47x2.62
13	0.013.9295.0	1	ring
14	2.1530.095.0	1	oil seal 36.14x2.62
15	2.1531.066.0	2	oil seal 25.07x2.62
16	2.1569.109.0/10	2	gasket 46 x 50 x 2.0
18	0.008.4309.0/10	1	manifold
19	2.3171.014.4	1	plug

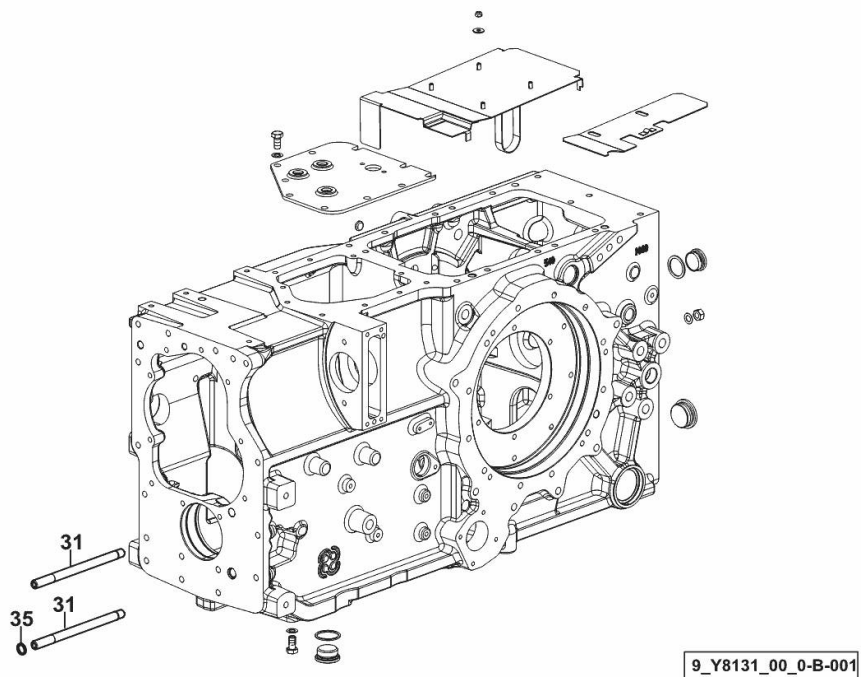
INDEPENDENT HAND BRAKE

Fig.	P/n	QTY	Name
------	-----	-----	------

Notes:

[Virtus 120 -> ZKDY7302W0TS10001]

31	0.445.5450.0/10	2	small column
35	2.1530.034.0	1	oil seal 13.95x2.62



<https://www.ebooklibonline.com>

Hello dear friend!

Thank you very much for reading.

Enter the link into your browser.

The full manual is available for immediate download.

<https://www.ebooklibonline.com>