

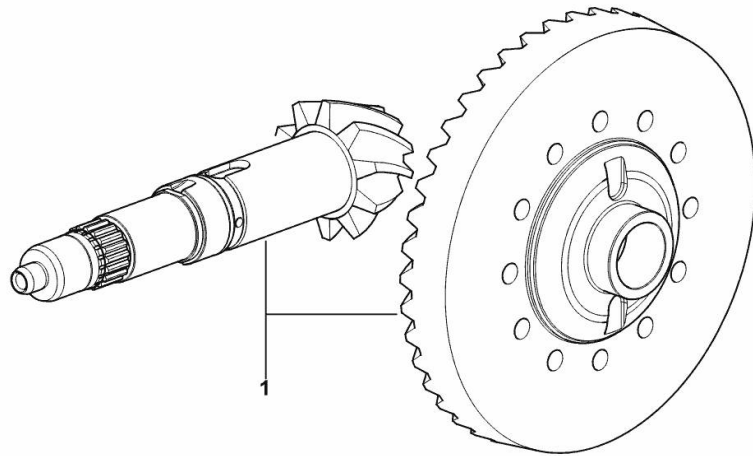
BEVEL WHEEL GEAR Z = 10 / Z = 39

Fig.	P/n	QTY	Name
------	-----	-----	------

Notes:

[Virtus 110 Infinity 2WD] [Virtus 110 Infinity 4WD]

1	0.018.8248.3/20	1	bevel drive Z = 10 / Z = 39
---	-----------------	---	-----------------------------



9_Y8135_01_0-A-001

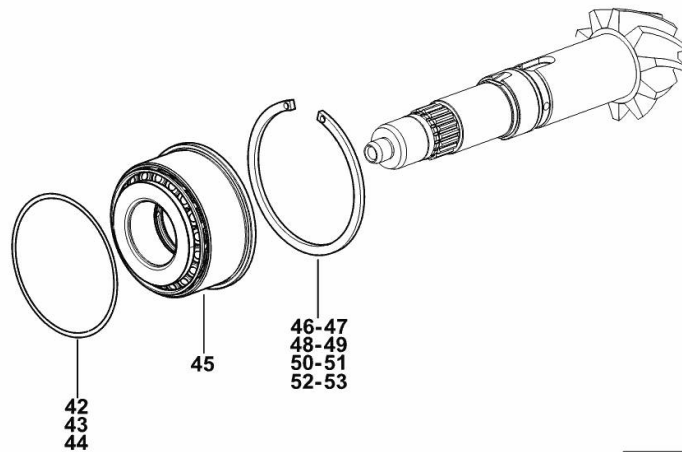
BEVEL DRIVE PINION BEARING

Fig.	P/n	QTY	Name
------	-----	-----	------

Notes:

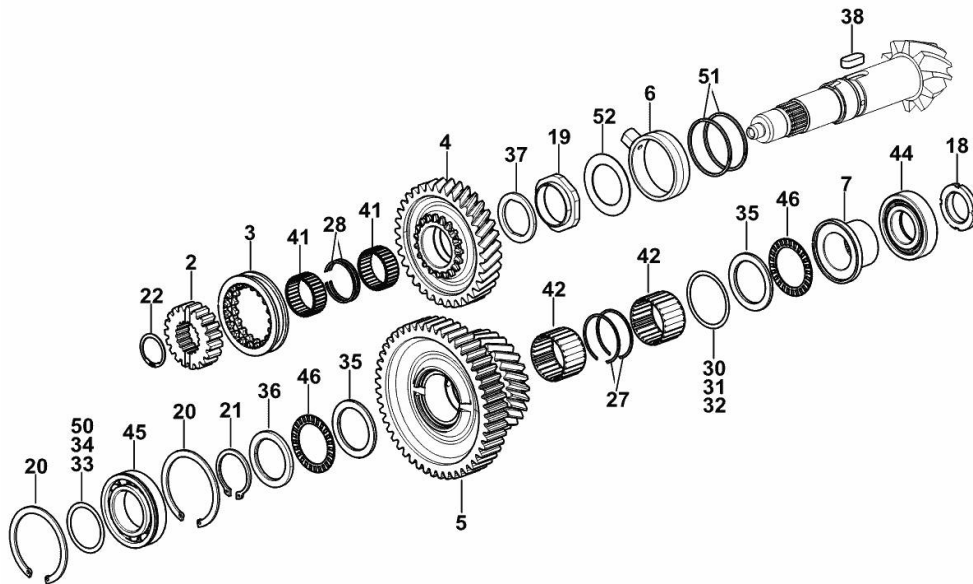
[Virtus 110 Infinity 4WD] [Virtus 110 Infinity 2WD]

42	2.1589.167.0	1	shoulder ring 105 x 112 x 0.15
43	2.1589.168.0	1	shoulder ring 105 x 112 x 0.1
44	2.1589.169.0	1	shoulder ring 105 x 112 x 0.5
45	2.2999.502.0/10	1	special bearing
46	2.1499.061.1	0.12	circlip 120x3.4
47	2.1499.062.1	0.12	circlip 120x3.5
48	2.1499.063.1	0.12	circlip 120x3.6
49	2.1499.064.1	0.12	circlip 120x3.7
50	2.1499.065.1	0.12	circlip 120x3.8
51	2.1499.066.1	0.12 <td circlip 120x3.9	
52	2.1499.067.1	0.12	circlip 120x4
53	2.1499.068.1	0.12	circlip 120x4.1



9_Y8135_00_0-B-001

SPEED RANGE REDUCTION GEAR UNIT



9_Y8134_00_0-B-001

Fig.	P/n	QTY	Name
------	-----	-----	------

Notes:

[Virtus 110 Infinity 2WD] [Virtus 110 Infinity 4WD]

2	0.018.8256.0	1	hub
3	0.018.8258.0	1	sleeve
4	0.018.8263.0	1	gear Z = 34 - 26
5	0.018.8274.0/30	1	gear
6	0.020.0081.0	1	manifold
7	0.018.8580.0/10	1	bushing
18	2.1219.068.2	1	ring nut m 38 x 1.5
19	2.1219.075.7/10	1	ring nut
20	2.1411.036.1	2	circlip 90
21	2.1412.019.7	1	circlip 50x3
22	2.1419.067.0	1	circlip 35 x 1.5
27	2.1423.043.0	2	circlip 58x1.5
28	2.1423.038.7	2	circlip 50
30	2.1580.204.0	1	shim 60.5x70x0.2
31	2.1580.205.0	2	shim 60.5x70x0.5
32	2.1580.213.0	2	shim 60.5x70x0.15
33	2.1580.216.0	2	shim 50.5x62x0.5
34	2.1580.215.0	1	shim 50.5x62x0.2
35	2.1599.549.0	2	slewing ring 52x70x4
36	2.1599.550.0	1	shoulder ring 50x68x5
37	2.1599.923.0	1	shoulder ring 45x60x4
38	2.1799.038.0	1	key
41	2.2770.077.0	2	roller cage 42x50x20
42	2.2999.126.0	2	roller cage 50x58x35
44	2.2999.174.0/10	1	special bearing 40 x 80 x 18
45	2.2999.203.0	1	special bearing 50 x 90 x 20
46	2.2999.228.0	2	roller cage 50x70x3
50	2.1580.217.0	2	shim 50.5x62 0.05
51	2.1569.245.0	2	oil seal 66x70x2
52	2.1599.927.0	1	spacer 50.2x75x1.5

<https://www.ebooklibonline.com>

Hello dear friend!

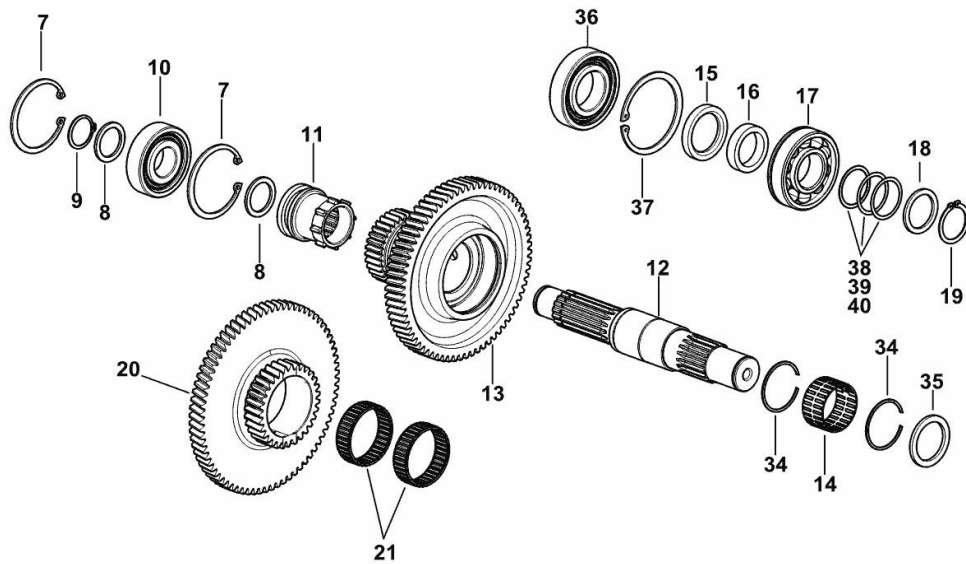
Thank you very much for reading.

Enter the link into your browser.

The full manual is available for immediate download.

<https://www.ebooklibonline.com>

SPEED RANGE REDUCTION GEAR UNIT



9_Y8134_02_0-B-001

Fig.	P/n	QTY	Name
------	-----	-----	------

Notes:

[Virtus 110 Infinity 2WD] [Virtus 110 Infinity 4WD]

7	2.1411.029.1	2	circlip 72
8	2.1549.605.0	2	spacer 30x40x3
9	2.1410.012.7	1	circlip
10	2.2060.009.0	1	ball bearing 30 x 72 x 19
11	0.018.8721.0/10	1	sleeve
12	0.019.1782.0	1	shaft
13	0.018.7350.0	1	gear Z = 32 / 70
14	2.2999.456.0	1	roller cage 45x50x27
15	2.1549.763.0	1	spacer 40x55x8
16	2.1549.740.0	1	spacer 35.2x50x11
17	2.2999.235.0	1	special bearing 35 x 80 x 21
18	2.1599.874.0	1	washer 35 x 45 x 3.0
19	2.1410.014.7	1	circlip 35
20	0.018.8367.0	1	gear Z = 73 / 31
21	2.2770.282.0	2	roller cage 55x62x18
34	2.1423.038.7	2	circlip 50
35	2.1599.791.0/10	1	spacer
36	2.2040.012.0	1	ball bearing iso 40 bc 02
37	2.1411.032.7	1	circlip Ø mm 80
38	2.1580.101.0	0.3	shim 36 x 43 x 0.2
39	2.1580.102.0	0.3	shim 36 x 43 x 0.5
40	2.1580.109.0	0.4	shim 36x43x0.15

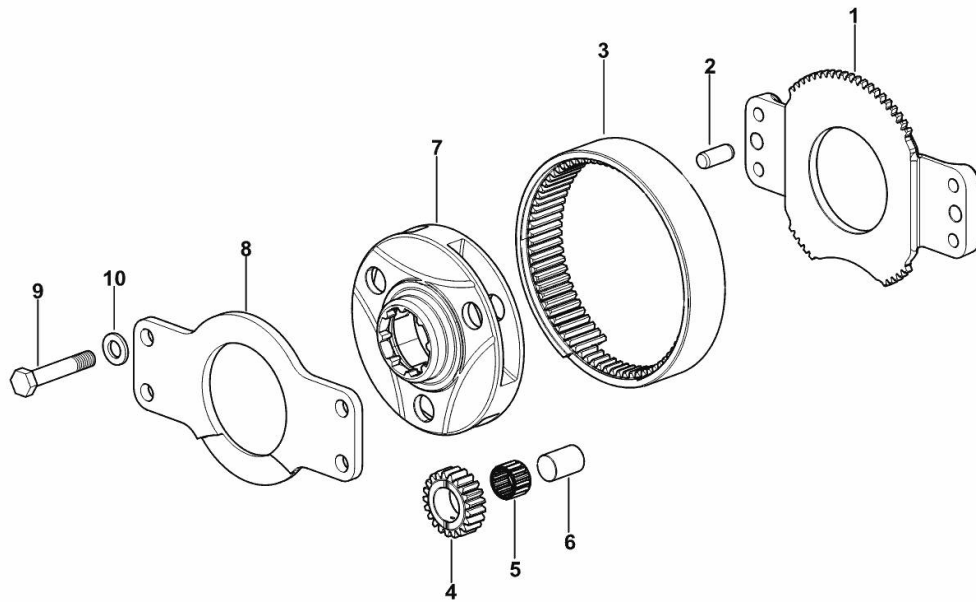
CREEPER GEARS

Fig.	P/n	QTY	Name
------	-----	-----	------

Notes:

[Virtus 110 Infinity 2WD] [Virtus 110 Infinity 4WD]

1	0.019.1988.0	1	flange
2	2.1651.912.0	2	cylindrical plug 12x28
3	0.018.8709.0	1	crown wheel
4	0.018.8647.0	3	planet gear Z=21
5	2.2770.165.0	3	roller cage 20x26x17
6	0.018.8710.0	3	pin
7	0.018.8746.0	1	spider
8	0.018.8714.0/10	1	flange
9	2.0112.422.2	4	screw m 12 p.1.75 x 65
10	2.1475.104.7	4	washer 13 x 24



9_Y8134_04_0-A-001

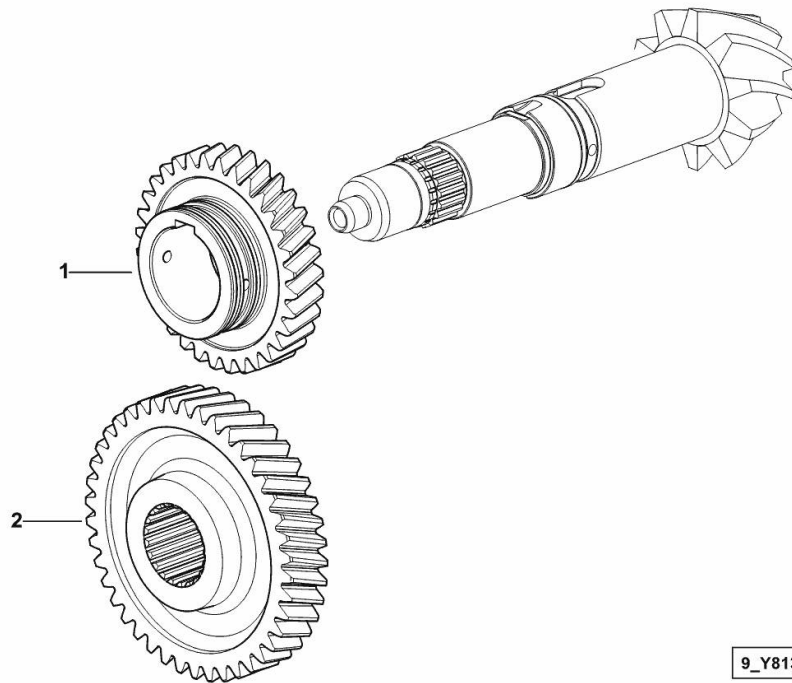
RANGE GEARBOX COMPLETION

Fig.	P/n	QTY	Name
------	-----	-----	------

Notes:

[Virtus 110 Infinity 2WD] [Virtus 110 Infinity 4WD]

1	0.018.8493.0/10	1	gear Z = 32
2	0.018.8499.0/10	1	gear Z = 42



9_Y8134_05_0-A-001

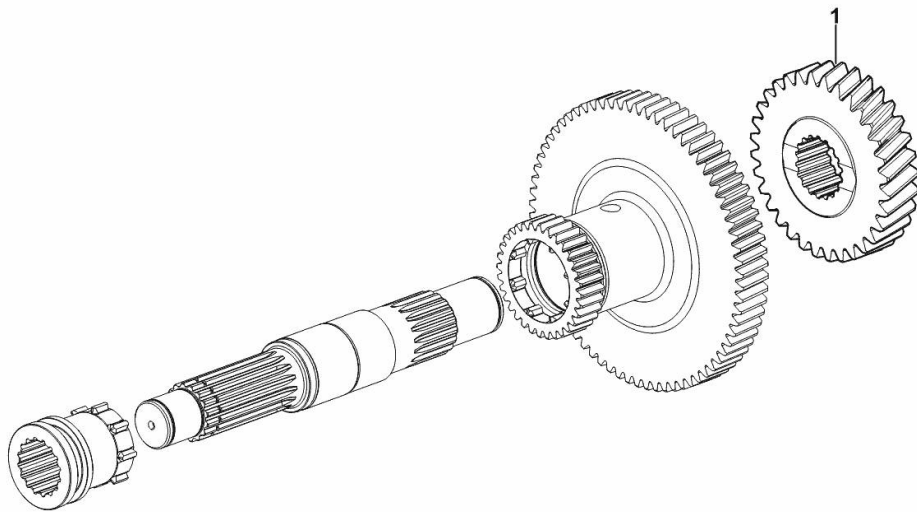
RANGE GEARBOX COMPLETION

Fig.	P/n	QTY	Name
------	-----	-----	------

Notes:

[Virtus 110 Infinity 2WD] [Virtus 110 Infinity 4WD]

1	0.019.0368.0	1	gear Z = 32
---	--------------	---	-------------



9_Y8134_06_0-A-001

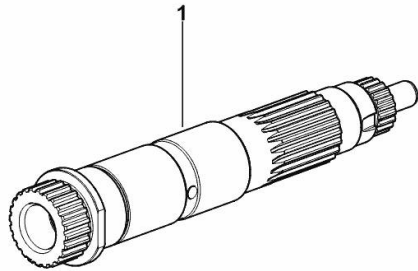
SPEED RANGE REDUCTION GEAR SHAFT - 2WD

Fig.	P/n	QTY	Name
------	-----	-----	------

Notes:

[Virtus 110 Infinity 2WD]

1	0.018.9839.0/30	1	shaft
---	-----------------	---	-------



9_Y6938_01_0-B-001

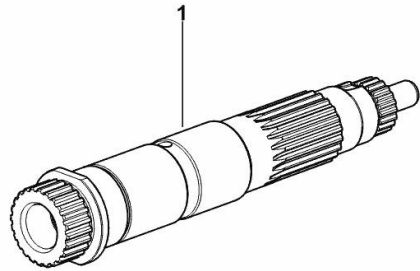
SPEED RANGE REDUCTION GEAR SHAFT - 4WD

Fig.	P/n	QTY	Name
------	-----	-----	------

Notes:

- FOR TYPES WITH SBA / ASM [Virtus 110 Infinity 4WD]

1	0.018.9839.0/30	1	shaft
---	-----------------	---	-------



9_Y8138_01_0-B-001



Suggest:

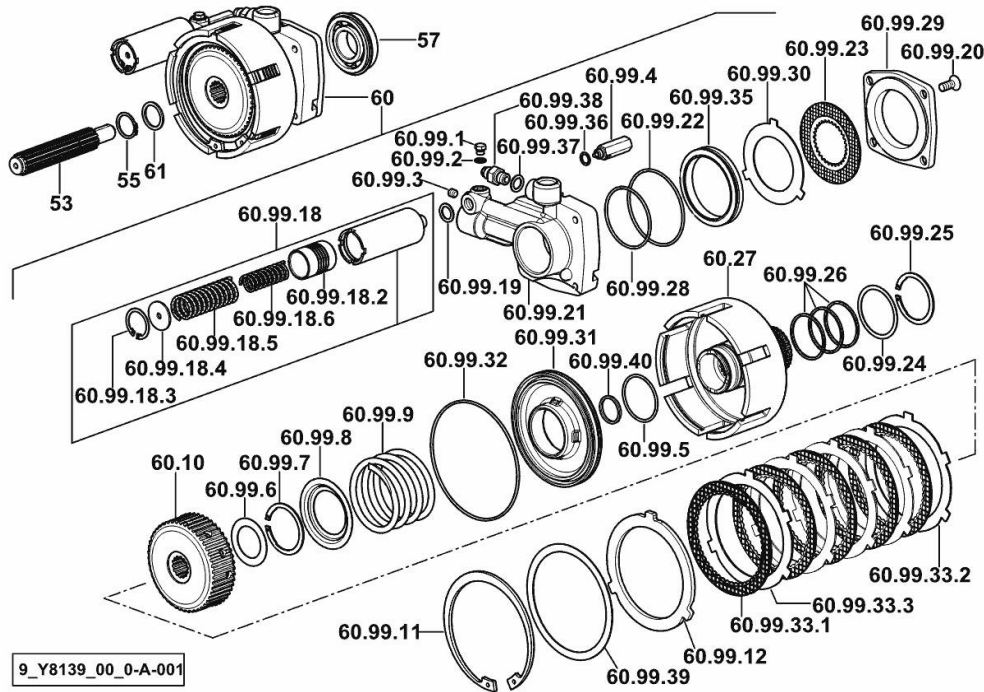
For more complete manuals. Please go to the home page.

<https://www.ebooklibonline.com>

If the above button click is invalid. Please download this document first, and then click the above link to download the complete manual.

Thank you so much for reading

P.T.O. - ELECTROHYDRAULICALLY CONTROLLED HYDRAULIC CLUTCH



9_Y8139_00_0-A-001

Fig.	P/n	QTY	Name
------	-----	-----	------

Notes:

[Virtus 110 Infinity 2WD] 10049 <- [Virtus 110 Infinity 4WD] 10049 <-

53	0.445.3930.0	1	shaft
55	2.1410.009.7	1	circlip 24
57	2.2043.009.0	1	ball bearing 30x62x16
60	0.018.9213.4	1	hydraulic PTO clutch
60.10	0.008.8806.0/20	1	hub
60.27	0.008.4043.0/40	1	box
60.99.1	2.3110.428.1	1	plug m 8 p.1 x 10
60.99.2	2.1560.003.0	1	copper gasket 8.2 x 12
60.99.3	2.0512.202.7	1	screw m 8 p.1.25 x 8
60.99.4	0.009.2445.4/20	1	valve
60.99.5	2.1539.067.0	1	special oil seal 44.12x2.72
60.99.6	2.1599.415.0	1	shoulder ring 35x52x1
60.99.7	2.1419.027.1	1	circlip 48
60.99.8	0.255.3933.0	1	disc
60.99.9	2.4019.373.1	1	spring 79.5x61.5x6.5
60.99.11	2.1419.035.1	1	circlip 127
60.99.12	0.255.3969.0/10	1	disc
60.99.18	0.010.0526.4/10	1	accumulator P.T.O.
60.99.18.2	0.010.0525.0	1	piston
60.99.18.3	2.1411.013.7	1	circlip Ø 32
60.99.18.4	2.1599.241.0	1	shoulder ring
60.99.18.5	2.4019.636.1	1	spring 20.8 x 27.2 x 3.2 x 86.5
60.99.18.6	2.4019.638.1	1	spring 14.2 x 19.4 x 2.6 x 58
60.99.19	2.1560.010.0	1	gasket 14.2 x 20
60.99.20	2.0342.305.2	4	screw m 8 p.1.25 x 20
60.99.21	0.008.3063.0/40	1	spool valve
60.99.22	2.1532.505.0	1	oil seal 77.50 x 2.62
60.99.23	0.014.0360.2	1	brake disc
60.99.24	2.1599.416.0	1	shoulder ring 50x58x1
60.99.25	2.1419.027.1	1	circlip 48
60.99.26	2.1569.109.0/10	3	gasket 46 x 50 x 2.0
60.99.28	2.1532.150.0	1	oil seal 61.60x2.62
60.99.29	0.255.3926.0/10	1	cover
60.99.30	0.013.8983.0	1	disc mm 1.5
60.99.31	0.255.3938.0/40	1	piston
60.99.32	2.1539.064.0	1	special oil seal 120.33x2.62
60.99.33.1	0.016.9060.2	5	clutch plate
60.99.33.2	0.017.9828.0	2	disc mm 1.55
60.99.33.3	0.013.9453.0	3	disc mm 1.75

P.T.O. - ELECTROHYDRAULICALLY CONTROLLED HYDRAULIC CLUTCH

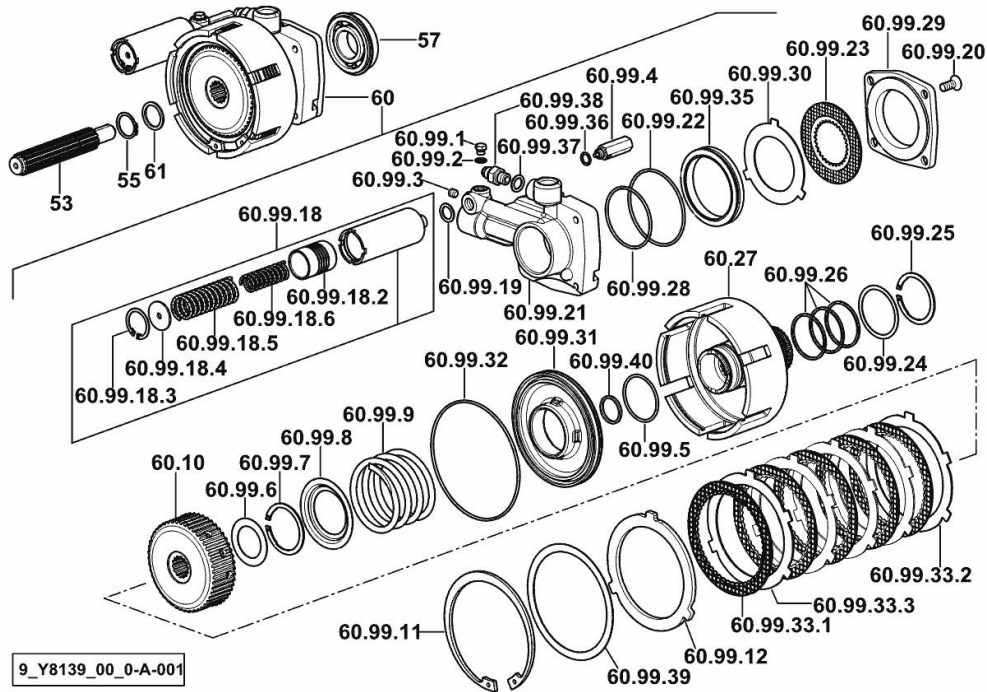


Fig.	P/n	QTY	Name
60.99.35	0.255.3922.0/40	1	piston D 84
60.99.36	2.1560.005.0	1	copper gasket 10.2 x 14
60.99.37	2.1560.008.0	1	gasket 12.2 x 18
60.99.38	2.3339.453.2	1	pipe fitting m 12 p.1.25-1/2"
60.99.39	2.1599.499.0	1	shoulder ring 110 x 126.5 x 1.2
60.99.40	2.1530.062.0	1	oil seal 23.81 x 2.62
61	2.1599.761.0	1	slewing ring 24x30x2

<https://www.ebooklibonline.com>

Hello dear friend!

Thank you very much for reading.

Enter the link into your browser.

The full manual is available for immediate download.

<https://www.ebooklibonline.com>