

**FUEL TANK & LINES**

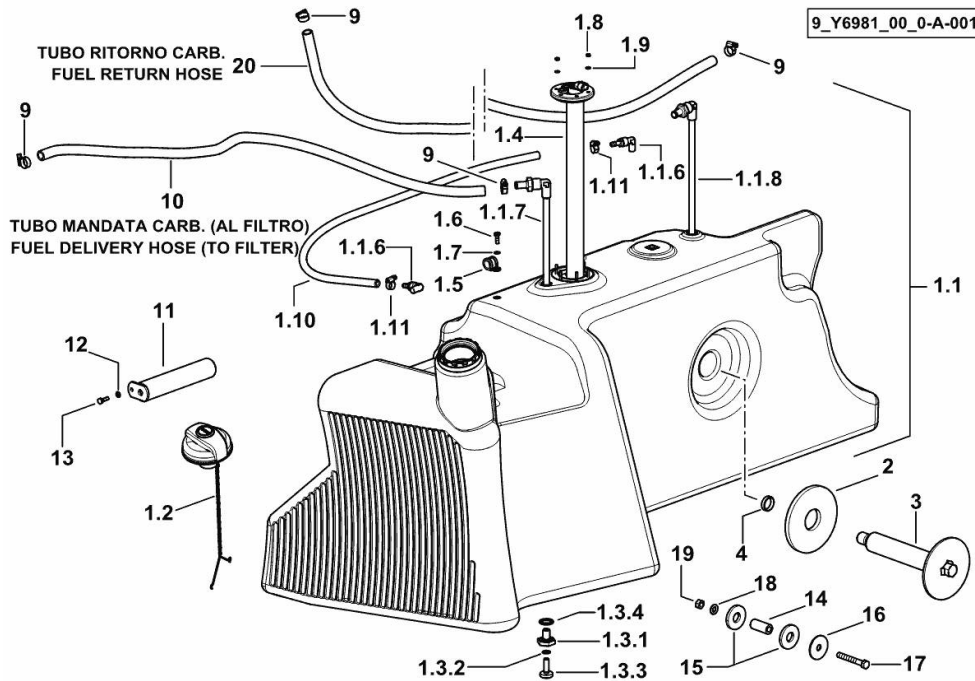


Fig.	P/n	QTY	Name
------	-----	-----	------

Notes:  
[Virtus 100]

1.1	0.019.1982.3/10	1	fuel tank
1.1.6	0.010.0749.0	2	breather
1.1.7	0.019.9325.3	1	tube
1.1.8	0.016.3795.3	1	tube
1.2	0.019.9407.4	1	plug
1.3.1	0.016.9607.0	1	plug m10
1.3.2	2.1560.006.0	1	gasket 10.2 x 16
1.3.3	0.016.9605.0	1	plug m14
1.3.4	2.1539.040.0	1	special oil seal 21.82 x 3.53
1.4	2.7059.011.0/10	1	level indicator
1.5	2.6839.066.0/10	1	clamp 16
1.6	2.0112.006.2	1	screw m 6 p.1 x 18
1.7	2.1470.002.2	1	lock washer 6
1.8	2.1011.101.2	6	nut
1.9	2.1310.028.2	6	flat washer
1.10	0.012.6451.0	1.06	tube Ø mm 8/15
1.11	2.6851.018.0	2	clamp Ø11/17
2	0.010.6927.0/10	1	shim
3	0.014.3176.2/10	1	pin
4	2.1549.334.2	1	spacer 26x30x8
9	2.6851.019.0	4	clamp Ø 13/20
10	0.012.6450.0	1.15	tube Ø mm 13/20
11	0.014.8587.2	1	pin
12	2.1470.002.2	1	lock washer 6
13	2.0112.007.2	1	screw m 6 p.1 x 20
14	2.1549.328.2	1	spacer 10.5x20x45
15	2.1569.161.0	2	gasket 20x50x6
16	2.1599.354.2	1	washer 12.5x50x3
17	2.0112.324.2	1	screw m 10 p.1.5x75
18	2.1310.006.2	1	flat washer 10.5x21
19	2.1011.106.2	1	nut m 10 p.1.5
20	0.012.6450.0	1.72	tube Ø mm 13/20

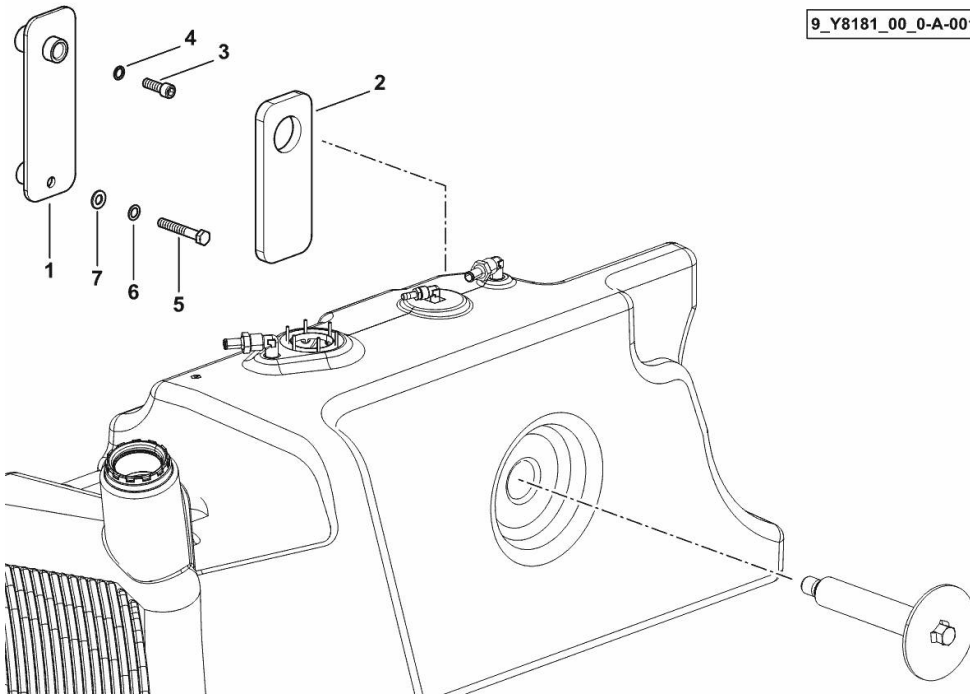
**FUEL TANK FIXING PARTS**

Fig.	P/n	QTY	Name
------	-----	-----	------

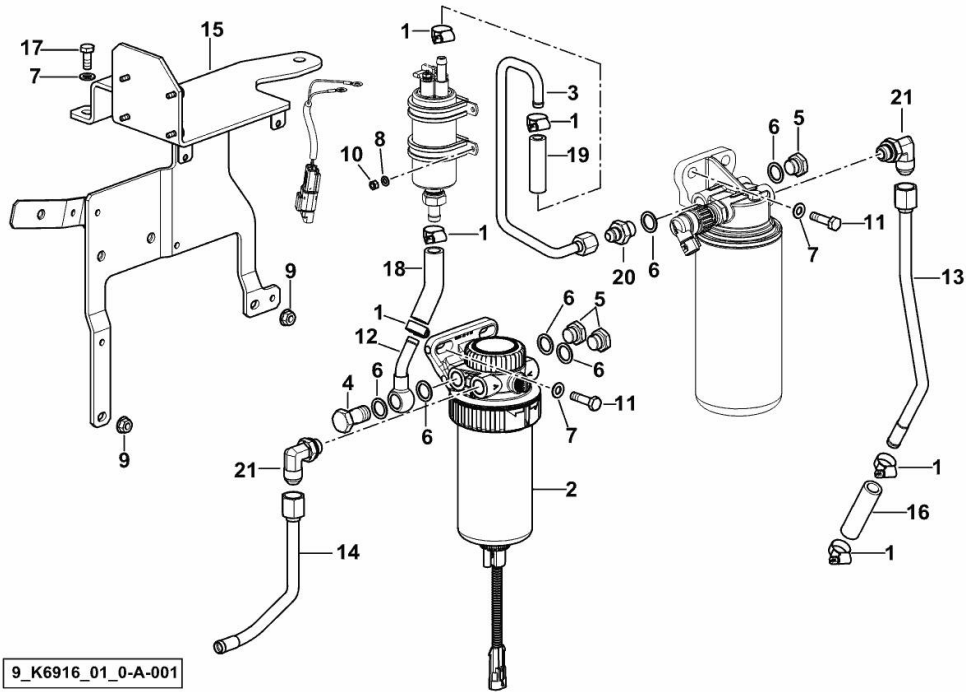
Notes:  
[Virtus 100]

1	0.019.2969.2/10	1	tank support
2	0.019.2974.0	1	shim
3	2.0312.412.2	1	screw m 12 p.1.75x35
4	2.1480.016.2	1	washer 12
5	2.0112.424.2	1	screw m 12 p.1.75x75
6	2.1470.007.2	1	lock washer 12
7	2.1310.007.2	1	flat washer 13 x 24

9\_Y8181\_00\_0-A-001



**FUEL PRELIMINARY FILTER**



9\_K6916\_01\_0-A-001

Fig.	P/n	QTY	Name
------	-----	-----	------

Notes:  
[Virtus 100] 10075 <-

1	2.6851.019.0	6	clamp Ø 13/20
2	2.4319.316.0/10	1	precleaner ☞ 2.4319.316.0/10
3	0.020.7099.3	1	tube
4	2.3332.005.2	1	pipe fitting m 16 p.1.5
5	2.3110.404.2	3	plug m 16 p.1.5
6	2.1560.012.0	6	gasket 16.2 x 22
7	2.1310.004.2	5	flat washer 8.4x17
8	2.1310.001.2	4	flat washer 5.3 x 10
9	2.1071.004.2	2	special nut m 8
10	2.1011.102.2	4	nut m 5 p.0.7
11	2.0112.211.2	4	screw m 8 p.1.25 x 30
12	0.019.1475.3/10	1	tube
13	0.020.7098.3	1	tube
14	0.020.6903.3	1	tube
15	0.019.0960.3/10	1	bracket
16	0.012.6450.0	0.07	tube Ø mm 13/20
17	2.0112.207.2	1	screw m 8 p 1.25 x 20
18	0.012.6450.0	0.08	tube Ø mm 13/20
19	0.012.6449.0	0.06	tube
20	2.3261.007.2	1	pipe fitting m 16 p.1.5-9/16"
21	2.3264.011.2	2	pipe fitting

**<https://www.ebooklibonline.com>**

Hello dear friend!

Thank you very much for reading.

Enter the link into your browser.

The full manual is available for immediate download.

**<https://www.ebooklibonline.com>**

**FUEL PRELIMINARY FILTER**

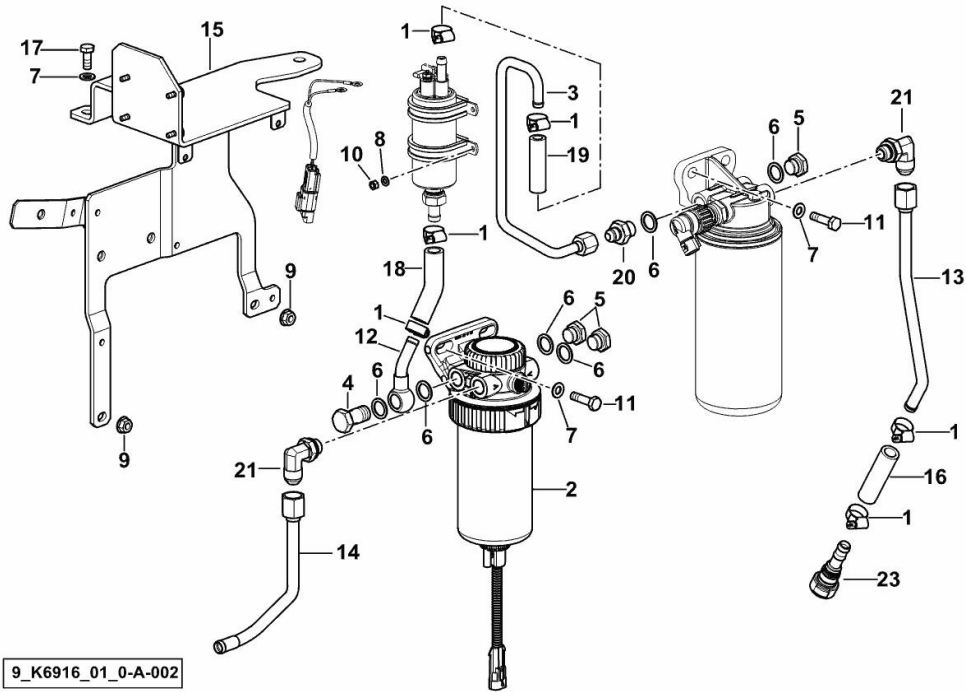


Fig.	P/n	QTY	Name
------	-----	-----	------

Notes:  
[Virtus 100] -> 10076

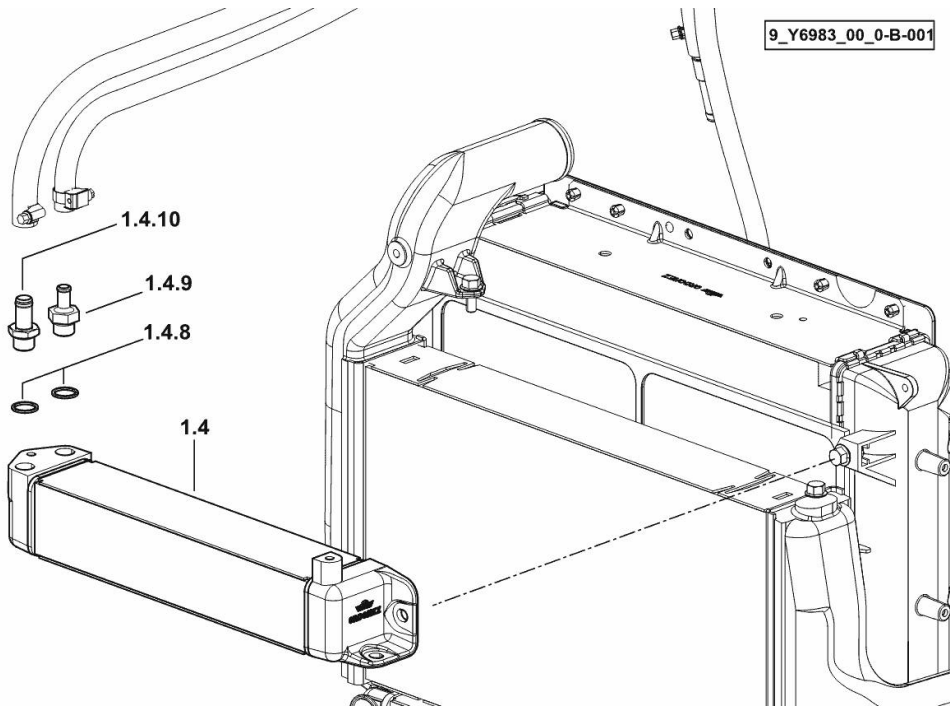
1	2.6851.019.0	6	clamp Ø 13/20
2	2.4319.316.0/10	1	precleaner ☞ 2.4319.316.0/10
3	0.020.7099.3	1	tube
4	2.3332.005.2	1	pipe fitting m 16 p.1.5
5	2.3110.404.2	3	plug m 16 p.1.5
6	2.1560.012.0	6	gasket 16.2 x 22
7	2.1310.004.2	5	flat washer 8.4x17
8	2.1310.001.2	4	flat washer 5.3 x 10
9	2.1071.004.2	2	special nut m 8
10	2.1011.102.2	4	nut m 5 p.0.7
11	2.0112.211.2	4	screw m 8 p.1.25 x 30
12	0.019.1475.3/10	1	tube
13	0.021.2676.3	1	tube
14	0.020.6903.3	1	tube
15	0.019.0960.3/10	1	bracket
16	0.012.6450.0	0.07	tube Ø mm 13/20
17	2.0112.207.2	1	screw m 8 p 1.25 x 20
18	0.012.6450.0	0.08	tube Ø mm 13/20
19	0.012.6449.0	0.06	tube
20	2.3261.007.2	1	pipe fitting m 16 p.1.5-9/16"
21	2.3264.011.2	2	pipe fitting
23	0.021.3780.0	1	connection

**FUEL COOLER**

Fig.	P/n	QTY	Name
------	-----	-----	------

Notes:  
[Virtus 100]

1.4	0.018.9384.3	1	radiator
1.4.8	2.1560.053.0	2	gasket 17 x 21
1.4.9	2.3249.373.0	1	pipe fitting 3/8"
1.4.10	2.3249.085.2/10	1	pipe fitting 3/8" gas

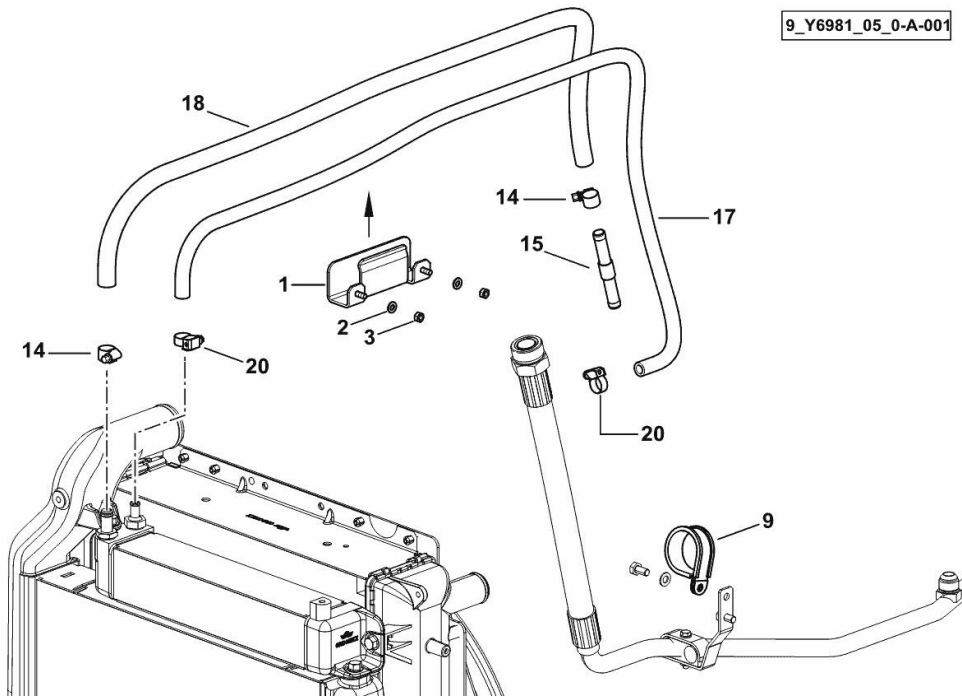


**FUEL COOLER PIPES**

Fig.	P/n	QTY	Name
------	-----	-----	------

Notes:  
[Virtus 100]

1	0.019.1931.3	1	channel
2	2.1310.002.2	2	flat washer 6.4x12.5
3	2.1011.103.2	2	nut m 6 p.1
9	2.6839.073.2	1	clamp 45
14	2.6851.001.0	2	clamp Ø 16/25
15	0.015.8420.0	1	pipe fitting
17	0.012.6449.0	1,32	tube
18	0.012.6450.0	1,2	tube Ø mm 13/20
20	2.6851.019.0	2	clamp Ø 13/20



**FUEL TANK PIN**

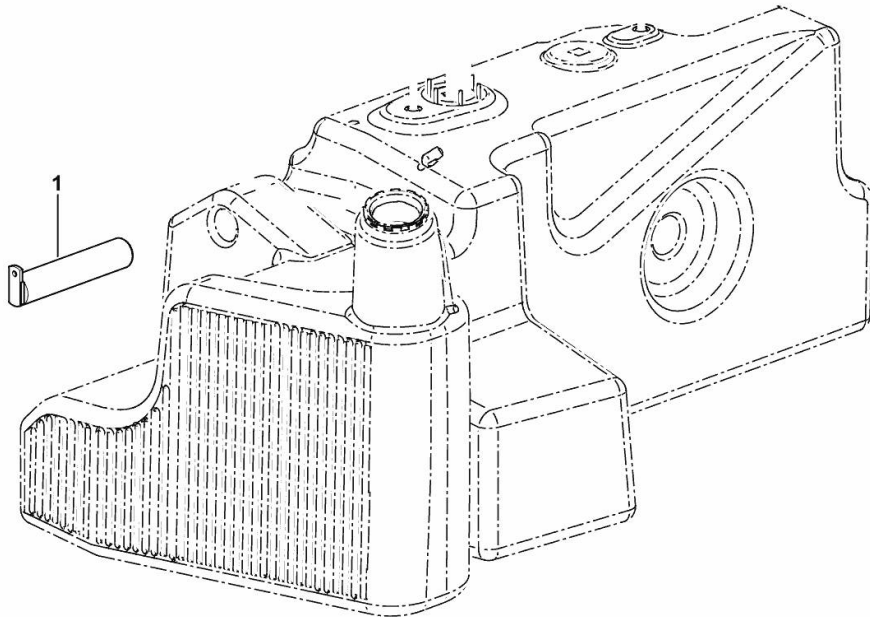
Fig.	P/n	QTY	Name
------	-----	-----	------

**Notes:**

KIT LIGHT [Virtus 100]

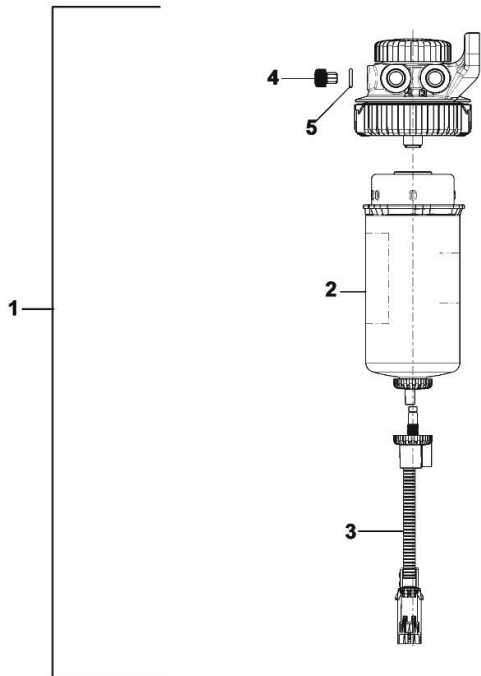
1	0.020.4289.2	1	pin
---	--------------	---	-----

9\_Y6981\_04\_0-A-001



**PREFILTER**

Fig.	P/n	QTY	Name
1	2.4319.316.0/10	1	precleaner
2	0.900.2043.4	1	filter
3	0.900.2261.4	1	clogging warning ind.
4	0.900.0864.3	1	screw
5	0.900.0789.8	1	ring



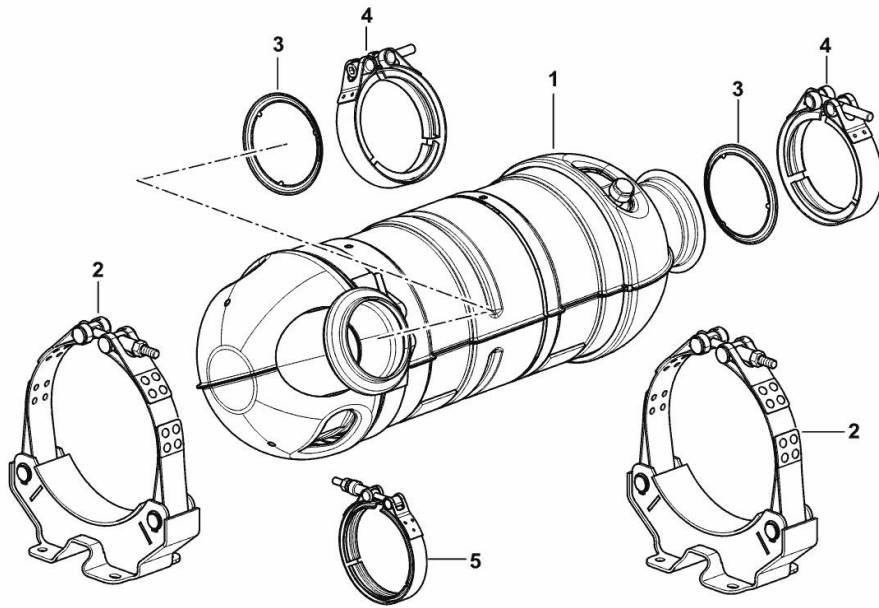
2.4319.316.0\_10

**EXHAUST SYSTEM**

Fig.	P/n	QTY	Name
------	-----	-----	------

Notes:  
[Virtus 100]

1	01980210	1	silencer
2	04603276	2	fascia
3	04600004	2	gasket
4	04603585	2	clamp
5	04602018	1	gasket



9\_K7119\_10\_0-A-001



**Suggest:**

**For more complete manuals. Please go to the home page.**

**<https://www.ebooklibonline.com>**

**If the above button click is invalid. Please download this document first, and then click the above link to download the complete manual.**

**Thank you so much for reading**

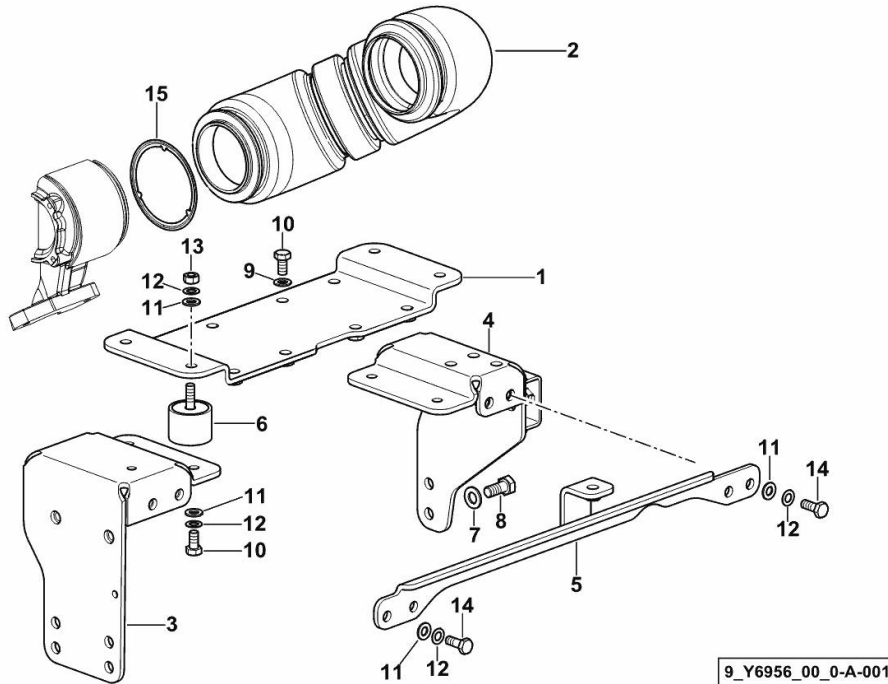
**EXHAUST SYSTEM**

Fig.	P/n	QTY	Name
------	-----	-----	------

**Notes:**

[Virtus 100] 10073 <-

1	0.019.9148.3	1	support
2	0.018.9834.3/10	1	tube
3	0.019.9155.3	1	support
4	0.019.9179.3/10	1	support
5	0.019.9149.3	1	cap-washer
6	0.010.1054.2/10	4	support
7	2.1475.003.2	2	washer 10
8	2.0112.308.2	2	screw m 10 p.1.5x22
9	2.1475.002.2	8	conical washer 8
10	2.0112.205.2	12	screw m 8 p.1.25 x 16
11	2.1310.004.2	12	flat washer 8.4x17
12	2.1470.004.2	12	lock washer 8
13	2.1011.105.2	4	nut m 8 p.1.25
14	2.0112.207.2	4	screw m 8 p 1.25 x 20
15	0.019.7817.0	1	gasket



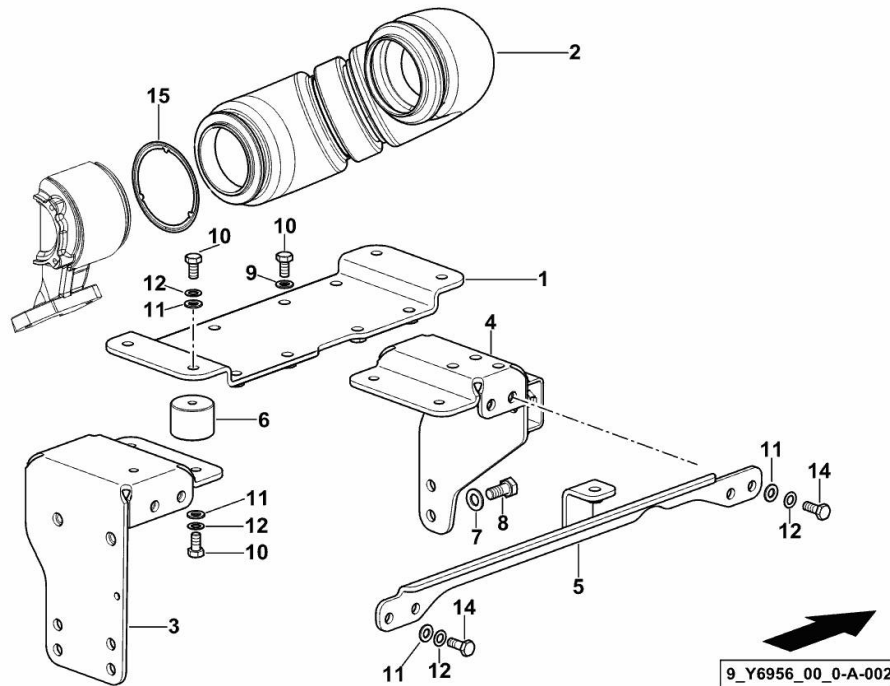
**EXHAUST SYSTEM**

Fig.	P/n	QTY	Name
------	-----	-----	------

**Notes:**

[Virtus 100] -> 10074

1	0.019.9148.3/10	1	plate
2	0.018.9834.3/10	1	tube
3	0.019.9155.3/10	1	bracket
4	0.019.9179.3/20	1	bracket
5	0.019.9149.3/10	1	bracket
6	0.021.1192.0	4	spacer
7	2.1475.003.2	2	washer 10
8	2.0112.308.2	2	screw m 10 p.1.5x22
9	2.1475.002.2	8	conical washer 8
10	2.0112.205.2	16	screw m 8 p.1.25 x 16
11	2.1310.004.2	12	flat washer 8.4x17
12	2.1470.004.2	12	lock washer 8
14	2.0112.207.2	4	screw m 8 p 1.25 x 20
15	0.019.7817.0	1	gasket



**<https://www.ebooklibonline.com>**

Hello dear friend!

Thank you very much for reading.

Enter the link into your browser.

The full manual is available for immediate download.

**<https://www.ebooklibonline.com>**