

Section: ENGINE
CRANKCASE

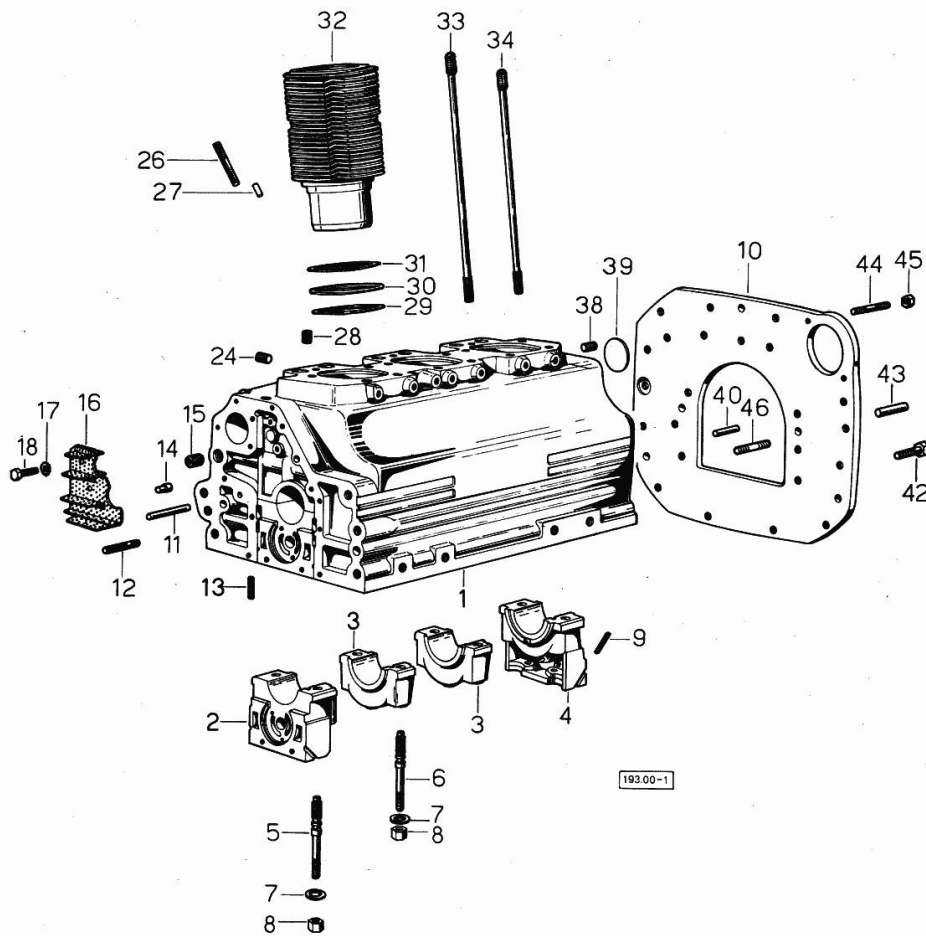


Fig.	P/n	QTY	Name
------	-----	-----	------

Notes:
 [VIGNERON 45]

0	0.035.0050.6/10	1	gasket set FOR ENGINE ASSEMBLY
1	0.035.1110.4/30	1	crankcase
2	0.004.8776.0	1	support
3	0.029.1113.0	2	support
4	0.029.1116.0	1	support
5	0.021.1157.0	4	stud bolt
6	0.029.1117.0	4	stud bolt
7	2.1599.144.7	8	shoulder ring 12.5x23x4
8	2.1019.026.7	8	special nut m 12 p.1.5
9	0.029.1154.0	4	gasket
10	0.027.1130.0/20	1	flange
11	2.1699.116.0	1	pin
12	2.0432.018.1	5	stud bolt m 8 p.1.25 / p.1 x 65
13	2.0432.003.1	24	stud bolt m 8 p.1.25 / p.1 x 20
14	2.1699.021.0	1	pin 7.8x8x20
15	2.3130.002.1	1	plug 1/4" gas
16	0.029.1155.2/20	1	plate
17	2.1470.002.2	2	lock washer 6
18	2.0112.002.2	2	screw m 6 p.1 x 10
24	2.3139.001.1	3	plug
26	2.0432.267.1	2	stud bolt m 12 p.1.75-1.25x60
27	2.1653.708.0	1	pin 8x18
28	2.3130.001.1	3	plug 1/8" gas
29	2.1569.055.0	3	shim
30	2.1589.037.0	3	shim
31	2.1589.036.0	3	shim
32	0.036.1120.0/10	3	engine cylinder
33	0.039.1122.0	12	stud bolt m 12 p.1.5x310
34	0.037.1122.0	3	stud bolt
38	2.3130.002.1	1	plug 1/4" gas
39	2.3170.022.1	1	expansion plug 60
40	2.1653.708.0	2	pin 8x18
42	2.0112.511.1	11	screw m 14 p.2 x 30
43	2.1652.911.0	2	cylindrical plug 12x25
44	2.0432.257.1	2	stud bolt m 12 p.1.75 - 1.25 x 30
45	2.1011.207.2	2	nut m 12 p.1.5
46	2.0432.153.1	2	stud bolt m 10 p.1.5 / p.1.25 x 20

Section: ENGINE
TIMING CASE

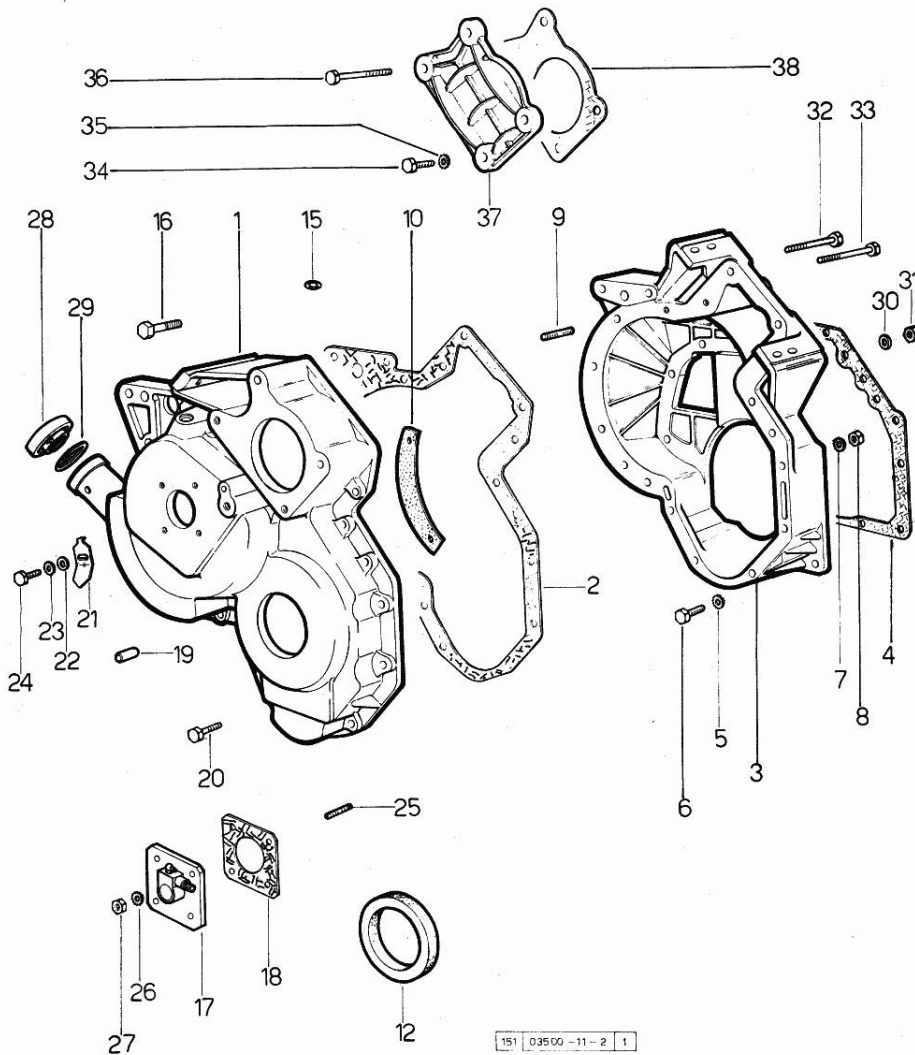


Fig.	P/n	QTY	Name
------	-----	-----	------

Notes:
[VIGNERON 45]

1	0.027.1155.0/30	1	governor housing
2	0.027.1156.0	1	gasket
3	0.027.1154.0/30	1	flange
4	0.029.1153.0/10	1	gasket
5	2.1474.009.1	8	spring washer 8
6	2.0112.207.2	8	screw m 8 p 1.25 x 20
7	2.1474.009.1	15	spring washer 8
8	2.1011.405.2	15	nut m 8 p.1
9	2.0439.060.2	3	stud bolt m 8 p.1.25-1x22
10	0.027.1152.0/20	1	small plate
12	2.1519.010.0	1	special oil seal 58x80x10
15	2.1530.028.0	1	oil seal 11.91 x 2.62
16	2.0122.222.2	1	screw
17	2.7049.210.0/20	1	transmission
18	0.026.1150.0	1	gasket
19	2.1653.711.0	1	pin
20	2.0122.213.2	4	screw m 8 p.1x35
21	0.027.1150.0/10	1	index
22	2.1310.003.2	1	flat washer 7.4x14
23	2.1470.004.2	1	lock washer 8
24	2.0112.204.2	1	screw m 8 p.1.25x14
25	2.0439.055.1	4	stud bolt m 6 p.1 x 18
26	2.1470.002.2	4	lock washer 6
27	2.1011.103.2	4	nut m 6 p.1
28	0.022.1135.3	1	plug
29	2.1569.048.0	1	gasket
30	2.1474.009.1	2	spring washer 8
31	2.1011.405.2	3	nut m 8 p.1
32	2.0122.225.2	1	screw m 8 p.1x80
33	2.0122.225.2	1	screw m 8 p.1x80
34	2.0112.211.2	2	screw m 8 p.1.25 x 30
35	2.1474.009.1	2	spring washer 8
36	2.0122.229.1	2	screw m 8 x 100
37	0.029.1163.0	1	small cover
38	0.054.1155.0	1	gasket

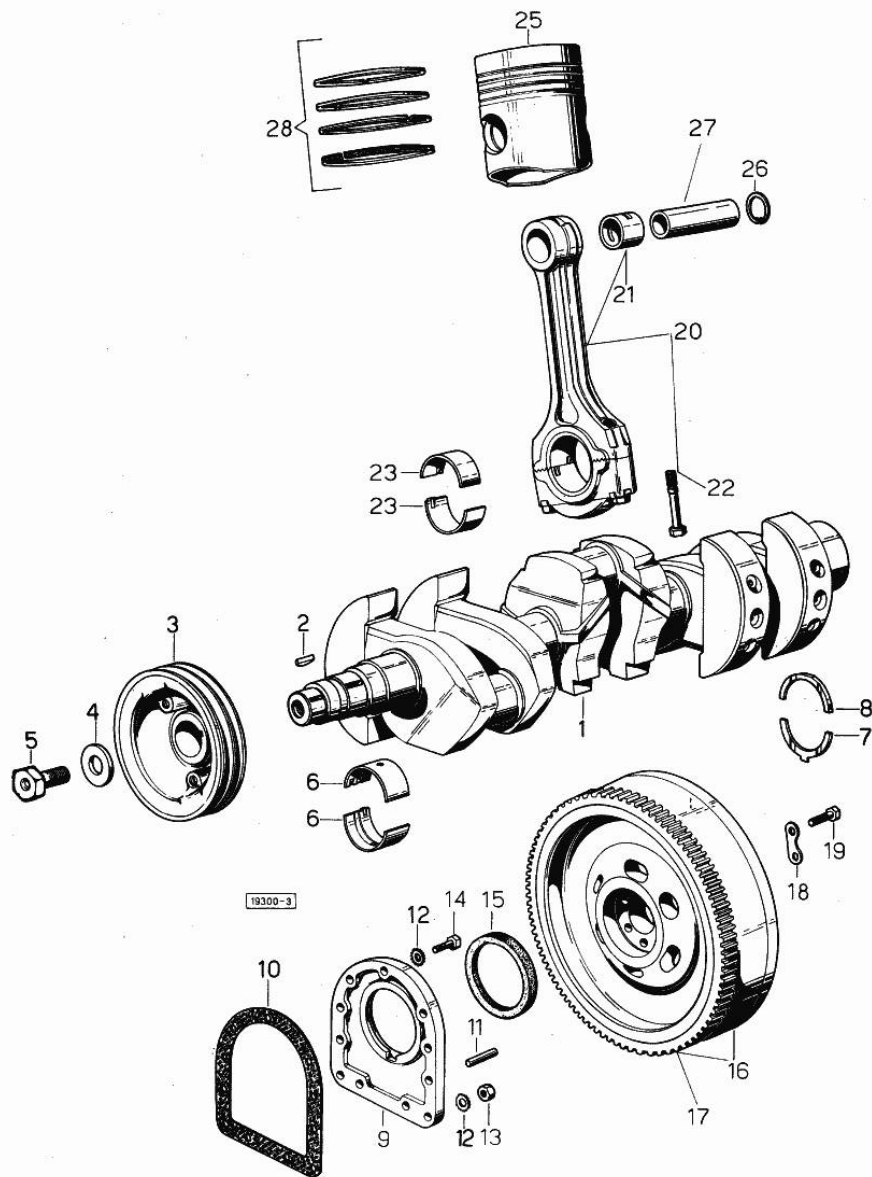
Section: ENGINE

CRANKSHAFT

Fig.	P/n	QTY	Name
------	-----	-----	------

Notes:
[VIGNERON 45]

1	0.029.1210.4/30	1	crankshaft
2	2.1799.002.0	1	stick 10x13
3	0.035.1258.0	1	old part number
4	0.001.6020.0	1	shoulder
5	2.0129.032.2	1	screw m 24 p.2x45
6	0.029.0066.0		main half bushing - mm 1.00
6	0.029.1215.0/10	1	main half bushing
6	0.029.1215.7		main half bushing - mm 0.25
6	0.029.1215.8		main half bushing - mm 0.50
6	0.029.1215.9		main half bushing - mm 0.75
7	0.001.4547.0		shoulder ring + mm 0.05
7	0.001.4548.0		shoulder ring + mm 0.10
7	0.001.4549.0		shoulder ring + mm 0.15
7	0.042.1219.0	1	shoulder ring STANDARD
8	0.001.4544.0		shoulder ring + mm 0.05
8	0.001.4545.0		shoulder ring + mm 0.10
8	0.001.4546.0		shoulder ring + mm 0.15
8	0.042.1218.0	2	shoulder ring STANDARD
9	0.029.1240.0	1	flange
10	0.029.1250.0	1	gasket
11	2.1652.915.0	2	cylindrical plug 12x35
12	2.1474.010.1	7	spring washer 10
13	2.1011.421.2	2	nut m 10 p.1.25
14	2.0112.309.2	7	screw m 10 p.1.5 x 25
15	2.1529.045.0	1	oil seal
16	0.035.1241.3/10	1	old part number
17	0.038.1242.0	1	crown wheel Z = 120, mm 15
18	2.1379.006.0	3	lock-tab 15x15x36,5
19	2.0122.515.7	6	screw
20	0.039.1220.3/20	3	engine connecting rod
21	0.002.4168.0	3	bearing
22	0.039.1250.0	6	screw m 14 p.1.5x63
23	0.039.0068.0		con.rod half bushing - mm 1.016
23	0.039.1225.0	6	con.rod half bushing
23	0.039.1225.7		con.rod half bushing -mm 0.254
23	0.039.1225.8		con.rod half bushing -mm 0.508
23	0.039.1225.9		con.rod half bushing -mm 0.762
25	0.036.0060.6	3	complete piston
25	0.036.0061.6		complete piston + mm 0.5
25	0.036.0062.6		complete piston + mm 1.00
26	2.1411.014.1	6	circlip 35



<https://www.ebooklibonline.com>

Hello dear friend!

Thank you very much for reading.

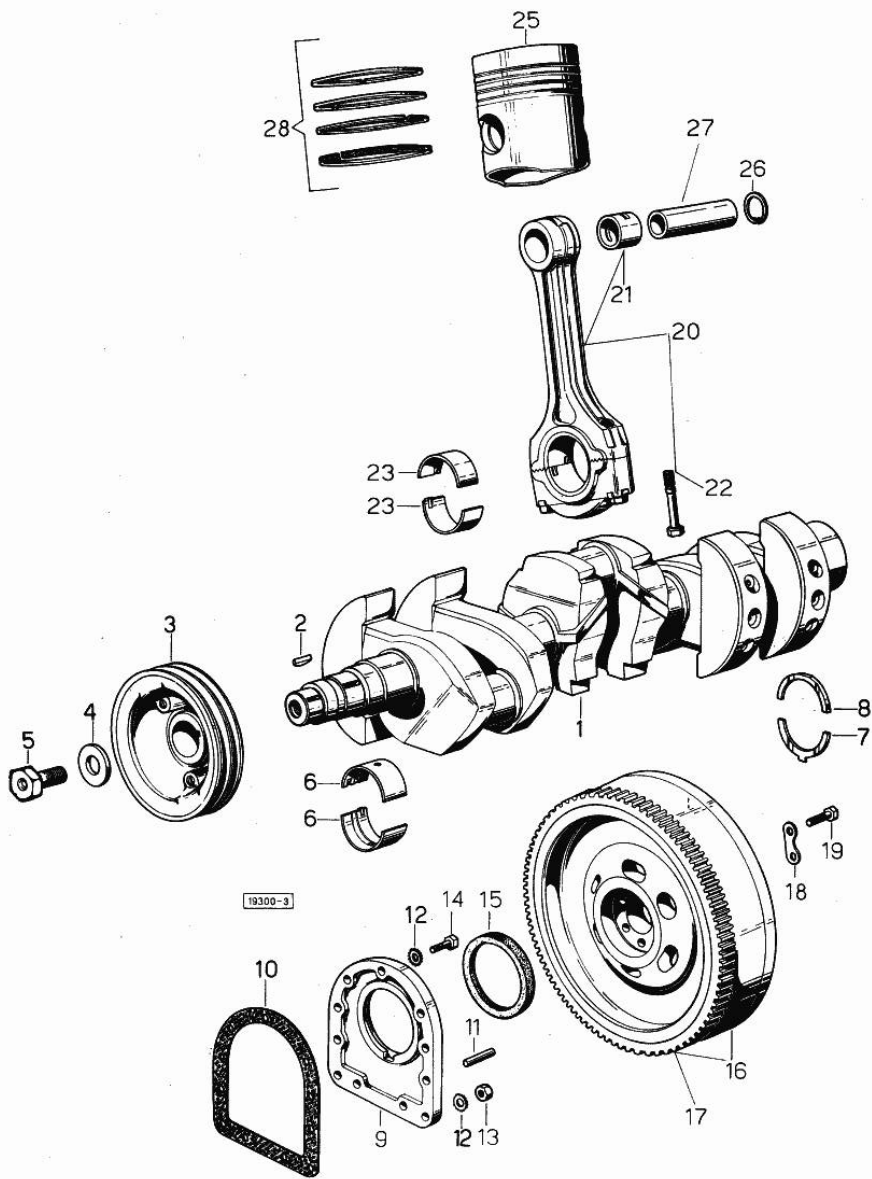
Enter the link into your browser.

The full manual is available for immediate download.

<https://www.ebooklibonline.com>

Section: ENGINE
CRANKSHAFT

Fig.	P/n	QTY	Name
27	0.002.4167.0	3	piston pin
28	0.034.0052.6	3	piston ring set
28	0.034.0053.6		piston ring set + mm 0.5
28	0.034.0054.6		piston ring set + mm 1.0



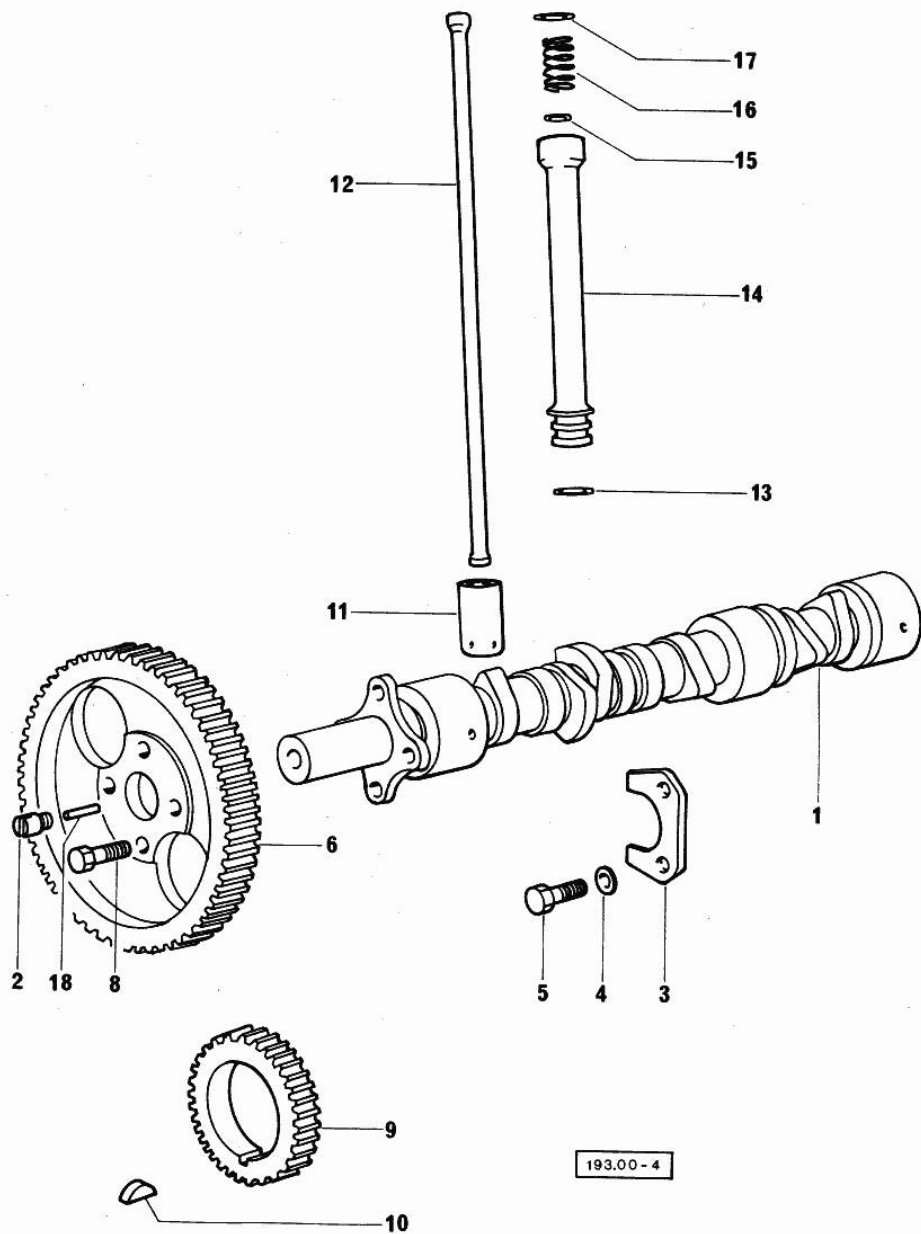
Section: ENGINE

CAMSHAFT

Fig.	P/n	QTY	Name
------	-----	-----	------

Notes:
[VIGNERON 45]

1	0.035.1310.0/10	1	camshaft
2	0.027.1350.0/20	1	pin
3	0.027.1314.0	1	flange
4	2.1470.004.2	2	lock washer 8
5	2.0312.206.2	2	screw m 8 p 1.25 x 20
6	0.035.1321.0	1	gear
8	2.0139.006.1	4	screw
9	0.029.1320.0	1	gear Z = 45
10	2.1720.010.0	1	key 5x9
11	0.002.3909.0	6	tappets
12	0.037.1331.0	6	rod
13	2.1539.018.0	6	special oil seal
14	0.039.1332.0/10	6	sleeve
15	2.1539.022.0	6	special oil seal 12.37x2.62
16	2.4019.149.1	6	spring 14x29x2
17	2.1569.037.0	6	gasket
18	2.1650.513.0	1	pin 6 x 30

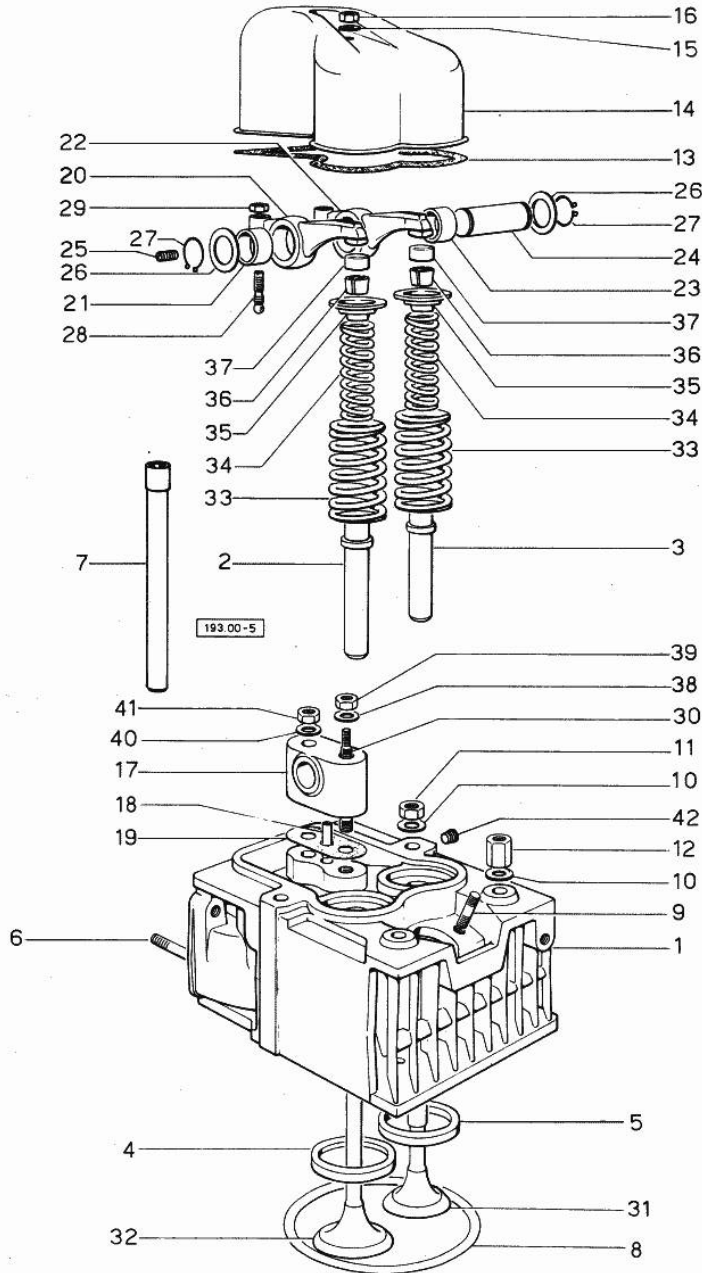


Section: ENGINE
CYLINDER HEAD

Fig.	P/n	QTY	Name
------	-----	-----	------

Notes:
[VIGNERON 45]

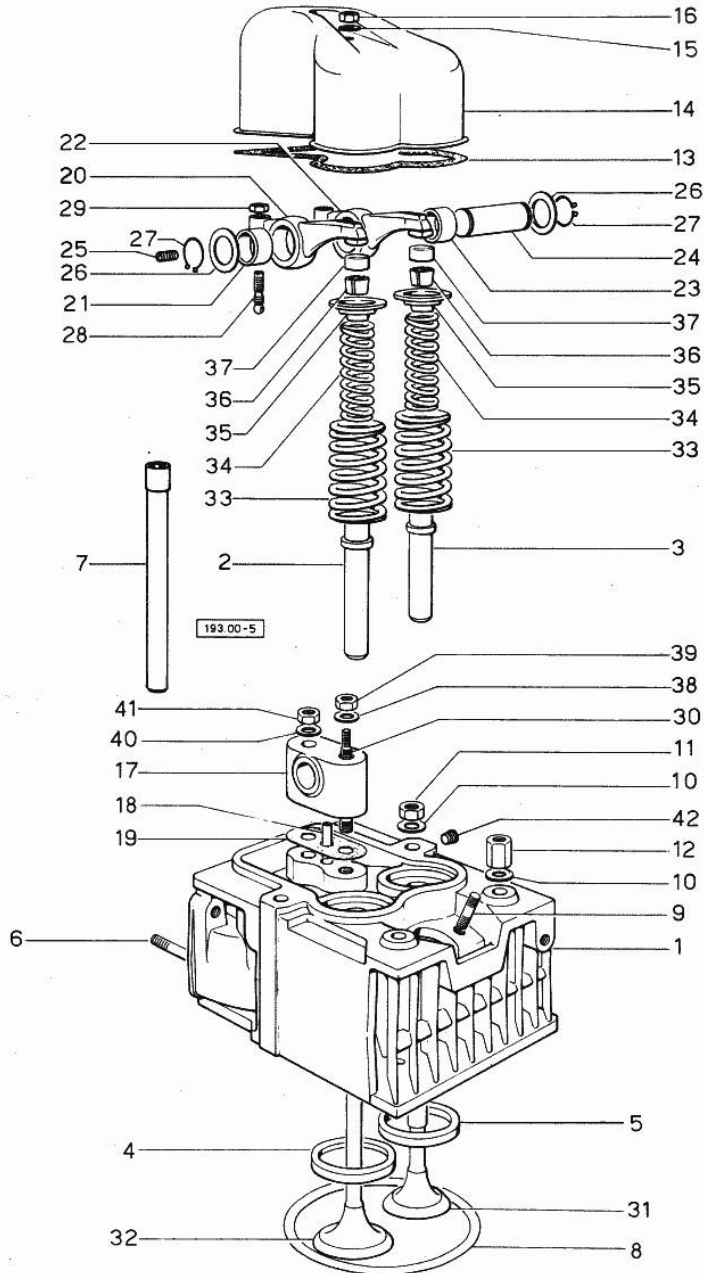
0	0.034.0057.6	1	gasket set FOR GRINDING VALVES OF ONE CYLINDER AND PISTON RING RENEWAL
1	0.037.1450.3/20	3	engine head
2	0.037.1416.0	3	valve guide
3	0.037.1417.0/10	3	valve guide
4	0.037.1451.0/10	3	valve seat
5	0.037.1452.0/10	3	valve seat
6	2.0432.007.1	6	stud bolt m 8 p.1.25 / p.1 x 30
7	0.029.1418.0	6	sleeve
8	2.1569.056.0/10	3	gasket
9	2.0439.087.1	6	stud bolt
10	2.1599.144.7	12	shoulder ring 12.5x23x4
11	2.1019.025.7	10	special nut
12	2.1019.037.7	5	special nut
13	0.029.1450.0	3	gasket
14	0.039.1440.0	3	cap
15	2.1560.004.0	3	copper gasket 8.2 x 14
16	2.1031.102.2	3	special nut
17	0.034.1430.0	3	support
18	0.029.1452.0	3	tube
19	0.034.1450.0	3	tappet gasket
20	002.5937.3/30	3	rocker arm
21	2.1559.021.0/40	3	bushing 15x19x22
22	0.002.5936.3/40	3	rocker arm
23	2.1559.021.0/40	3	bushing 15x19x22
24	0.029.1431.0	3	pin
25	2.0512.102.1	3	screw m 6 p.1 x 8
26	2.1599.019.0	6	shoulder ring 19.5x31x2
27	2.1410.055.1	6	circlip 19
28	0.021.1434.0	6	screw
29	2.1011.405.2	6	nut m 8 p.1
30	0.039.1451.0	3	stud bolt
31	0.039.1421.0	3	exhaust valve Ø mm 9
32	0.039.1420.0	3	inlet valve
33	2.4019.193.0	6	spring 36.15x55.2x3.2
34	2.4019.194.0	6	spring 22.70x50.7x2.1
35	0.002.9215.0	6	cup
36	0.002.9193.0	6	conical valve cotter
37	0.021.1453.0/20	6	small cover
38	2.1310.006.2	3	flat washer 10.5x21



Section: ENGINE

CYLINDER HEAD

Fig.	P/n	QTY	Name
39	2.1011.421.2	3	nut m 10 p.1.25
40	2.1599.160.7	3	flat washer
41	2.1099.035.7	3	special nut
42	2.3130.001.1	3	plug 1/8" gas

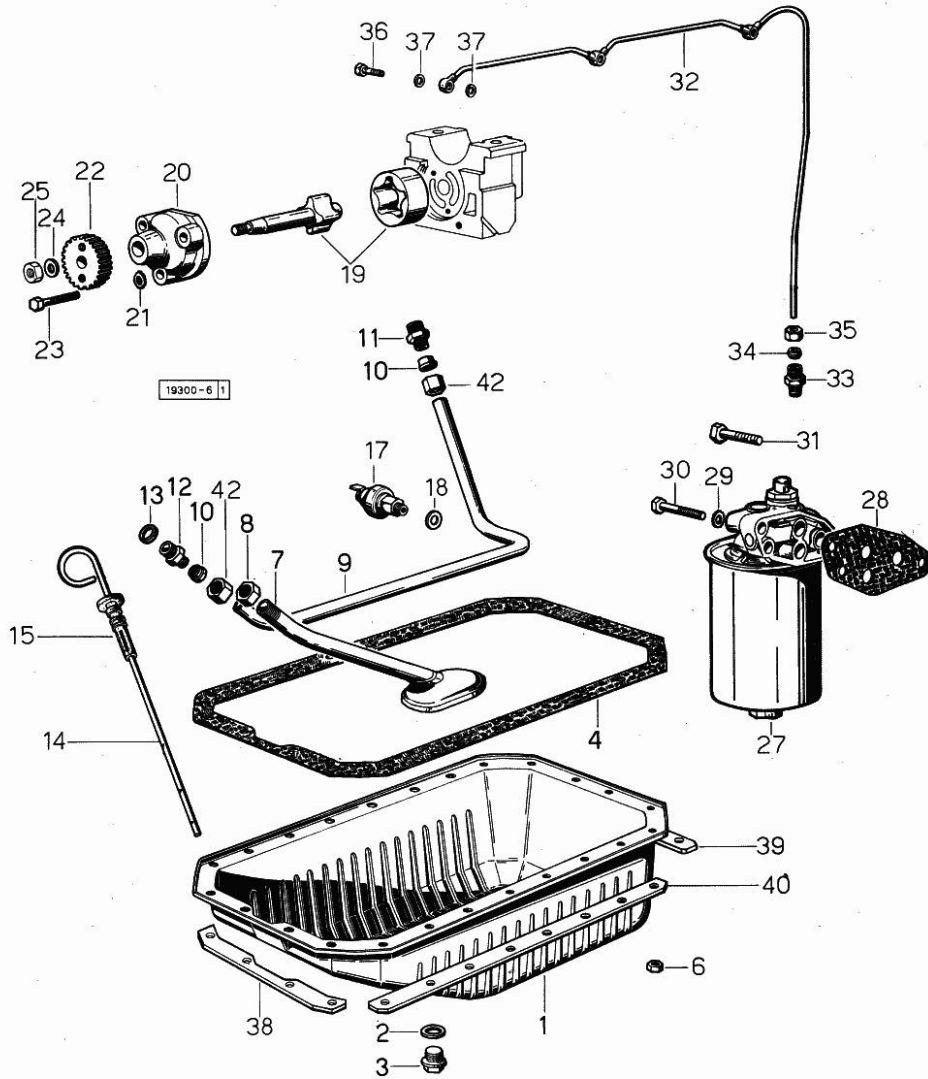


Section: ENGINE
LUBRICATION

Fig.	P/n	QTY	Name
------	-----	-----	------

Notes:
[VIGNERON 45]

1	0.035.1510.2	1	oil sump
2	2.1560.054.0	1	gasket 21 x 26
3	2.3199.001.2	1	plug 1/2" gas
4	0.029.1512.2	1	gasket
6	2.1011.405.2	24	nut m 8 p.1
7	0.035.1531.3	1	tube
8	2.1099.026.1	1	special nut
9	0.029.1534.0	1	tube
10	2.3359.004.2	2	ring
11	2.3319.014.1	1	pipe union
12	2.3319.013.1	1	pipe union
13	2.1560.013.0	1	gasket 18.2x22
14	0.039.1513.3	1	dipstick
15	0.034.1551.0	1	gasket
17	2.7099.040.0/10	1	pressure switch
18	2.1560.008.0	1	gasket 12.2 x 18
19	0.029.1522.3/10	1	shaft
20	0.029.1520.0	1	pump casing
21	2.1470.004.2	3	lock washer 8
22	0.029.1521.0/10	1	gear
23	2.0112.215.2	3	screw m 8 p.1.25 x 40
24	2.1310.006.2	1	flat washer 10.5x21
25	2.1121.107.2	1	self-locking nut m 10 p 1.25
27	2.4419.130.0/10	1	oil filter
			☞ 01.00.6
28	0.037.1552.0/10	1	gasket
29	2.1474.010.1	3	spring washer 10
30	2.0112.320.2	2	screw m 10 p.1.5 x 55
31	2.0112.315.2	1	screw m 10 p.1.5 x 40
32	0.038.1536.3/10	1	tube
33	2.3319.002.1	1	pipe fitting
34	2.3350.002.1	1	nosepiece 6, d128
35	2.3360.002.1	1	union nut m 10
36	2.3339.001.0	3	pipe fitting m 10 p.1
37	2.1560.006.0	6	gasket 10.2 x 16
38	0.053.1550.0/10	1	small plate
39	0.053.1551.0	1	small plate
40	0.035.1551.0	2	small plate
42	2.3369.009.1	2	union nut





Suggest:

For more complete manuals. Please go to the home page.

<https://www.ebooklibonline.com>

If the above button click is invalid. Please download this document first, and then click the above link to download the complete manual.

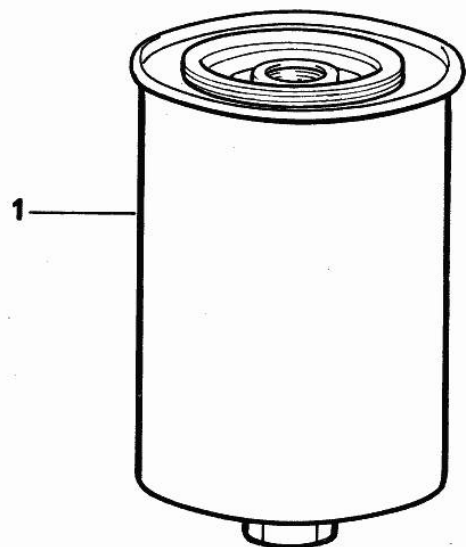
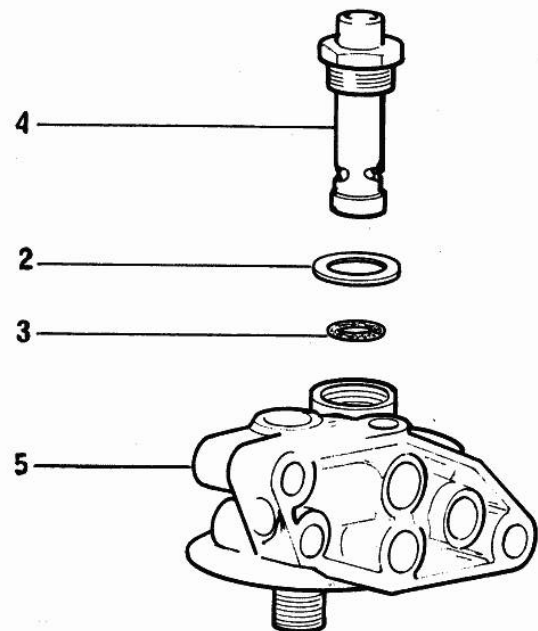
Thank you so much for reading

OIL FILTER COMPONENTS

Fig.	P/n	QTY	Name
------	-----	-----	------

Notes:
[VIGNERON 45]

0	2.4419.130.0/10	1	oil filter
1	2.4419.150.1	1	oil filter element
2	2.4419.130.3	1	gasket
3	2.1530.045.0	1	oil seal 17.86x2.62
4	2.4419.130.2	1	valve
5	0.000.0000.1		cannot be supplied



Section: ENGINE

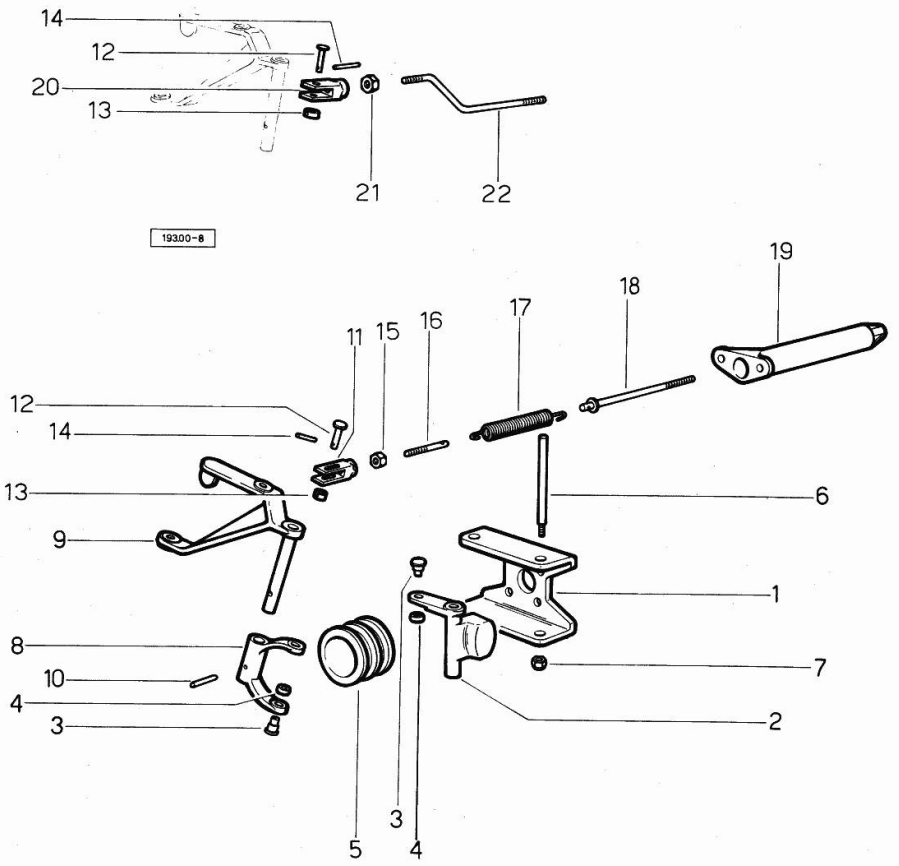
FUEL SYSTEM - CONTROLS

Fig.	P/n	QTY	Name
------	-----	-----	------

Notes:

[VIGNERON 45]

1	0.029.1615.0	1	bracket
2	0.029.1616.0	2	adjust.rocker
3	0.029.1652.0	4	pin
4	0.029.1653.0	4	roller
5	0.029.1618.0	1	sleeve
6	0.029.1617.0	2	pin
7	2.1120.005.2	2	nut m 8 p.1.25
8	0.027.1670.0	1	fork
9	0.027.1668.3	1	lever
10	2.1631.311.0	1	roll pin 3x24
11	2.3519.004.1	1	fork
12	2.1679.018.0	2	pin
13	2.1599.109.0	2	shoulder ring
14	2.1630.006.0	2	roll pin 2x12
15	2.1011.103.2	1	nut m 6 p.1
16	0.029.1627.0	1	stay
17	2.4049.054.1	1	spring
18	0.027.1626.3	1	rod
19	0.029.1624.0	1	spring holder
20	0.000.4699.0	1	fork
21	2.1011.103.2	4	nut m 6 p.1
22	0.027.1674.0	1	rod



<https://www.ebooklibonline.com>

Hello dear friend!

Thank you very much for reading.

Enter the link into your browser.

The full manual is available for immediate download.

<https://www.ebooklibonline.com>