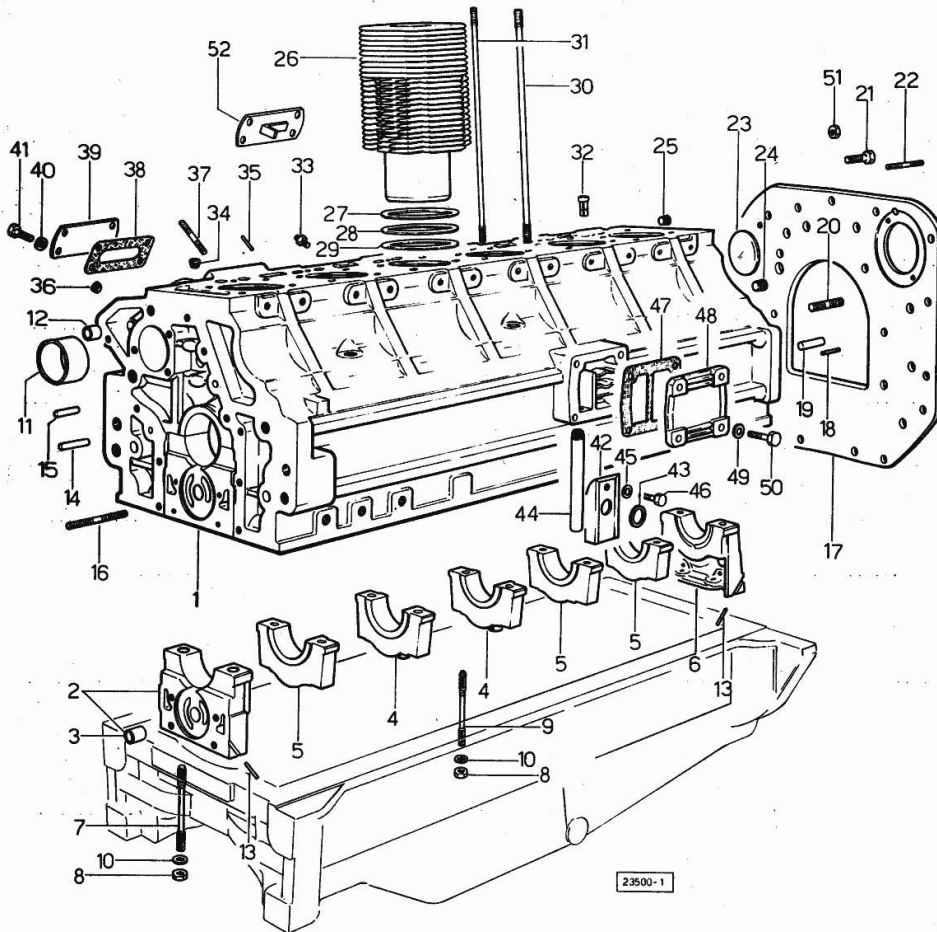


Section: ENGINE
CRANKCASE

Fig.	P/n	QTY	Name
------	-----	-----	------

Notes:

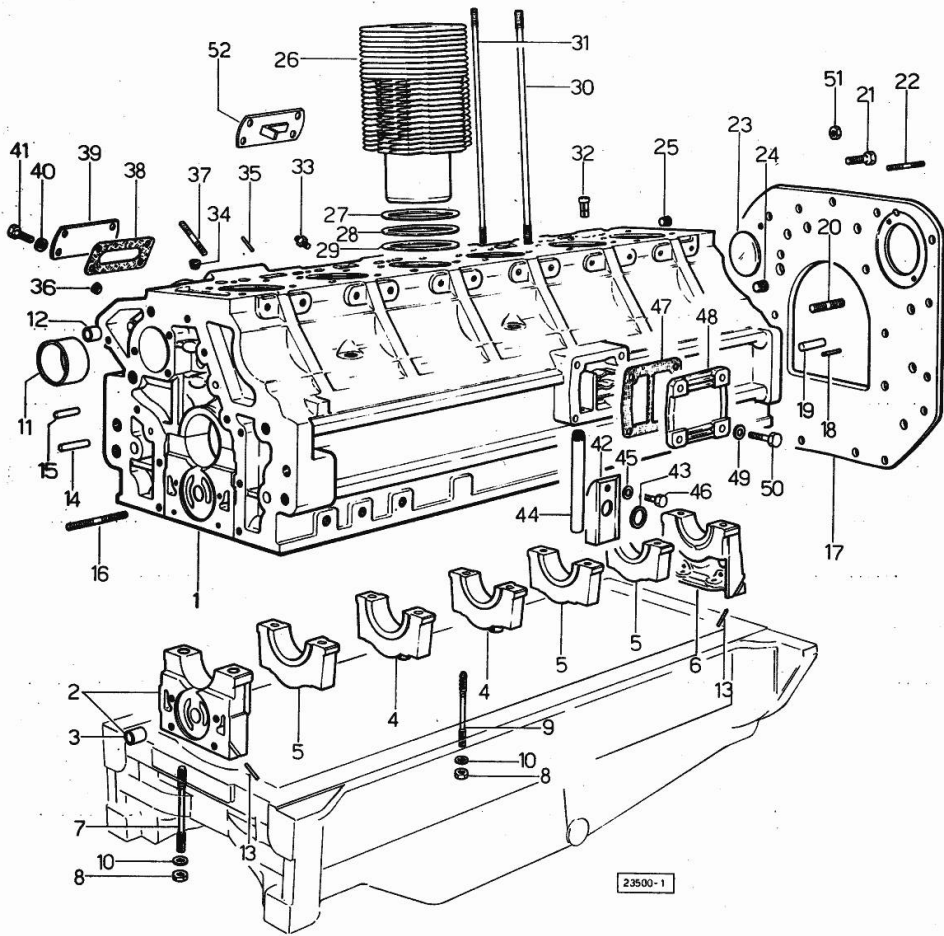
[Trident 130 Export]



0	0.046.0050.6	1	gasket set FOR ENGINE ASSEMBLY
1	0.047.1110.4/50	1	crankcase
2	0.004.8774.3	1	support
3	2.1559.090.0/10	1	bushing 14.24x19.06x27
4	0.037.1114.0	2	support
5	0.029.1113.0	3	support
6	0.029.1116.0	1	support
7	0.021.1157.0	4	stud bolt
8	2.1019.026.1	14	special nut m 12 p.1.5
9	0.029.1117.0	10	stud bolt
10	2.1599.144.0	14	shoulder
11	0.037.1155.0	1	bushing
12	2.1559.111.0	2	bushing 12x14x10
13	0.029.1154.0	4	gasket
14	2.1699.114.0	1	pin 8x55
15	2.1653.711.0	1	pin
16	2.0432.025.1	2	stud bolt m 8 p 1.25-1x100
17	0.044.1159.0	1	flange
18	2.1653.708.0	2	pin 8x18
19	2.1652.911.0	2	cylindrical plug 12x25
20	2.0432.153.1	2	stud bolt m 10 p.1.5 / p.1.25 x 20
21	2.0112.513.1	11	screw m 14 p.2 x 35
22	2.0432.257.1	2	stud bolt m 12 p.1.75 - 1.25 x 30
23	2.3170.022.1	1	expansion plug 60
24	2.3130.003.1	2	plug 3/8" gas
25	2.3130.002.1	1	plug 1/4" gas
26	0.044.1120.0/10	6	engine cylinder
27	2.1589.052.0	12	shoulder ring 115x123x0.2
28	2.1589.051.0	6	shoulder ring 116x123x0.1
29	2.1569.076.0	6	gasket 116x123x0.5
30	0.039.1122.0	24	stud bolt m 12 p.1.5x310
31	0.041.1123.0	6	stud bolt m 10
32	0.044.1156.0	12	special bushing
33	0.071.1151.3	6	valve
34	2.3130.001.1	5	plug 1/8" gas
35	2.1653.306.0	2	pin
36	2.3139.001.1	6	plug
37	2.0432.003.1	8	stud bolt m 8 p.1.25 / p.1 x 20
38	0.044.1151.0	2	gasket
39	0.044.1150.0	1	cover

Section: ENGINE
CRANKCASE

Fig.	P/n	QTY	Name
40	2.1310.004.2	8	flat washer 8.4x17
41	2.0112.204.2	4	screw m 8 p.1.25x14
41	2.0112.207.2	2	screw m 8 p 1.25 x 20
41	2.0119.116.2	2	screw m 8 p.1.25x14
42	0.044.1155.2/20	1	cover
43	0.045.1150.0	1	oil seal
44	0.044.1152.0	1	tube
45	2.1480.014.1	1	washer 8
46	2.0312.206.2	1	screw m 8 p 1.25 x 20
47	0.044.1153.0/10	1	gasket
48	0.044.1154.0	1	cover
49	2.1480.014.1	4	washer 8
50	2.0112.209.2	4	screw m 8 p 1.25 x 25
51	2.1011.207.2	2	nut m 12 p.1.5
52	0.044.1164.2/10	1	small cover

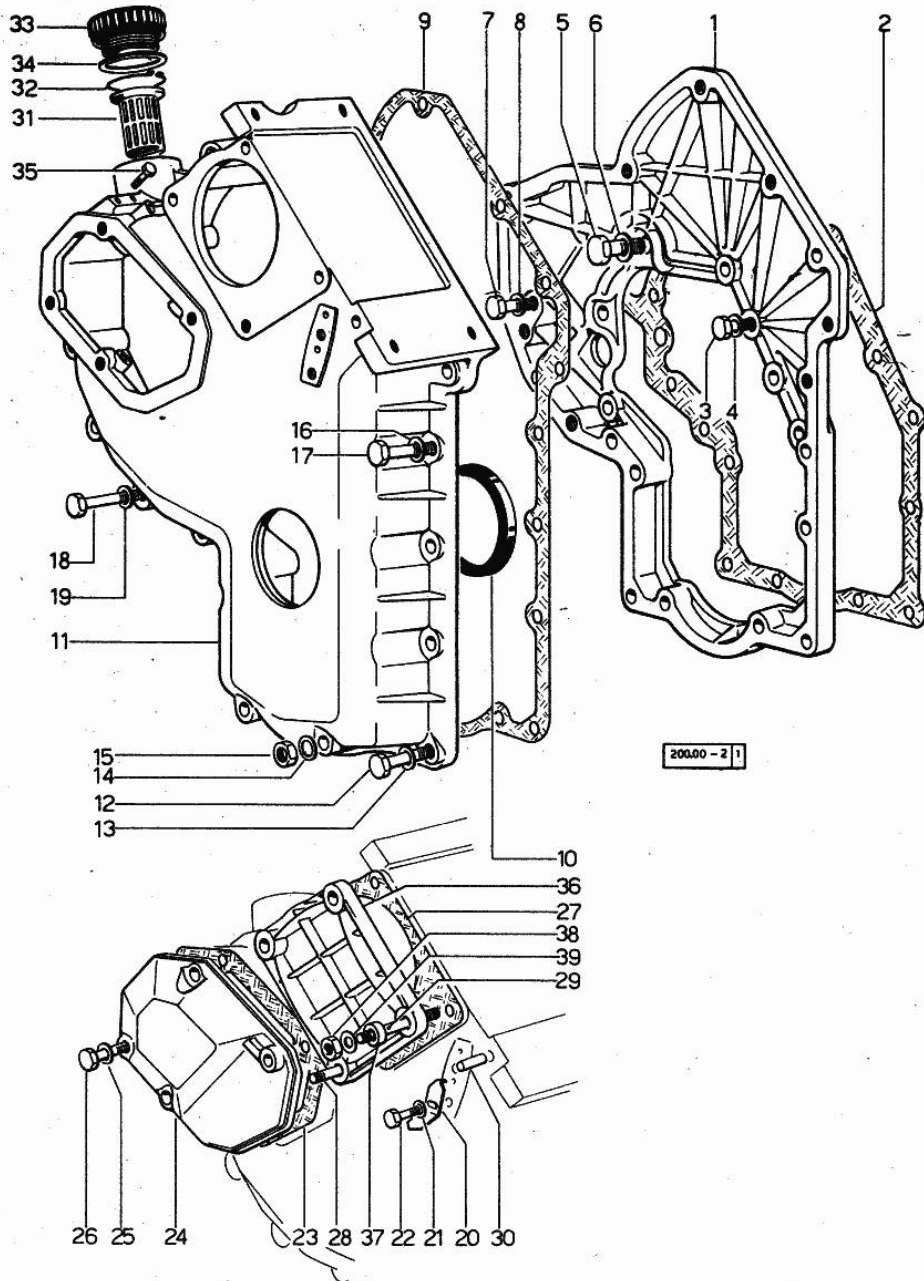


Section: ENGINE
TIMING CASE

Fig.	P/n	QTY	Name
------	-----	-----	------

Notes:
[Trident 130 Export]

1	0.048.1131.0	1	flange
2	0.041.1153.0	1	gasket
3	2.0112.209.2	5	screw m 8 p 1.25 x 25
4	2.1480.014.1	5	washer 8
5	2.0119.034.1	1	screw m 14 p.2x20
6	2.1560.010.0	1	gasket 14.2 x 20
7	2.0112.207.2	1	screw m 8 p 1.25 x 20
8	2.1480.014.1	1	washer 8
9	0.041.1152.0	1	gasket
10	2.1519.010.0	1	special oil seal 58x80x10
11	0.048.1132.0/30	1	guard
12	2.0112.217.2	5	screw m 8 p.1.25 x 45
13	2.1480.014.1	5	washer 8
14	2.1560.003.0	1	copper gasket 8.2 x 12
15	2.1011.405.2	2	nut m 8 p.1
16	2.1480.014.1	2	washer 8
17	2.0112.211.2	2	screw m 8 p.1.25 x 30
18	2.0112.222.2	4	screw m 8 p.1.25x65
19	2.1480.014.1	4	washer 8
20	0.041.1158.0	1	index
21	2.1310.004.2	1	flat washer 8.4x17
22	2.0112.204.2	1	screw m 8 p.1.25x14
23	0.048.1151.0/10	1	gasket
24	0.048.1150.0/20	1	cover
25	2.1560.006.0	4	gasket 10.2 x 16
26	2.0112.315.2	4	screw m 10 p.1.5 x 40
27	0.041.1154.0	1	gasket
28	2.0432.015.1	1	stud bolt m 8 p 1.25 - m 8 p. 1x50
29	2.0432.028.1	3	stud bolt m 8 p.1.25-1x130
30	2.1653.717.0	1	pin 8 x 40
31	0.041.1159.0/10	1	filter
32	2.1411.012.1	1	circlip 30
33	0.041.1135.3	1	plug
34	2.1569.072.0	1	gasket 32 x 39.5 x 2
35	2.0119.081.2	2	screw
36	0.037.1151.0	1	cover
37	2.1579.191.0	4	spacer 8.5 x 18 x 20
38	2.1011.505.2	4	nut m 8 p.1
39	2.1310.004.2	4	flat washer 8.4x17



<https://www.ebooklibonline.com>

Hello dear friend!

Thank you very much for reading.

Enter the link into your browser.

The full manual is available for immediate download.

<https://www.ebooklibonline.com>

Section: ENGINE

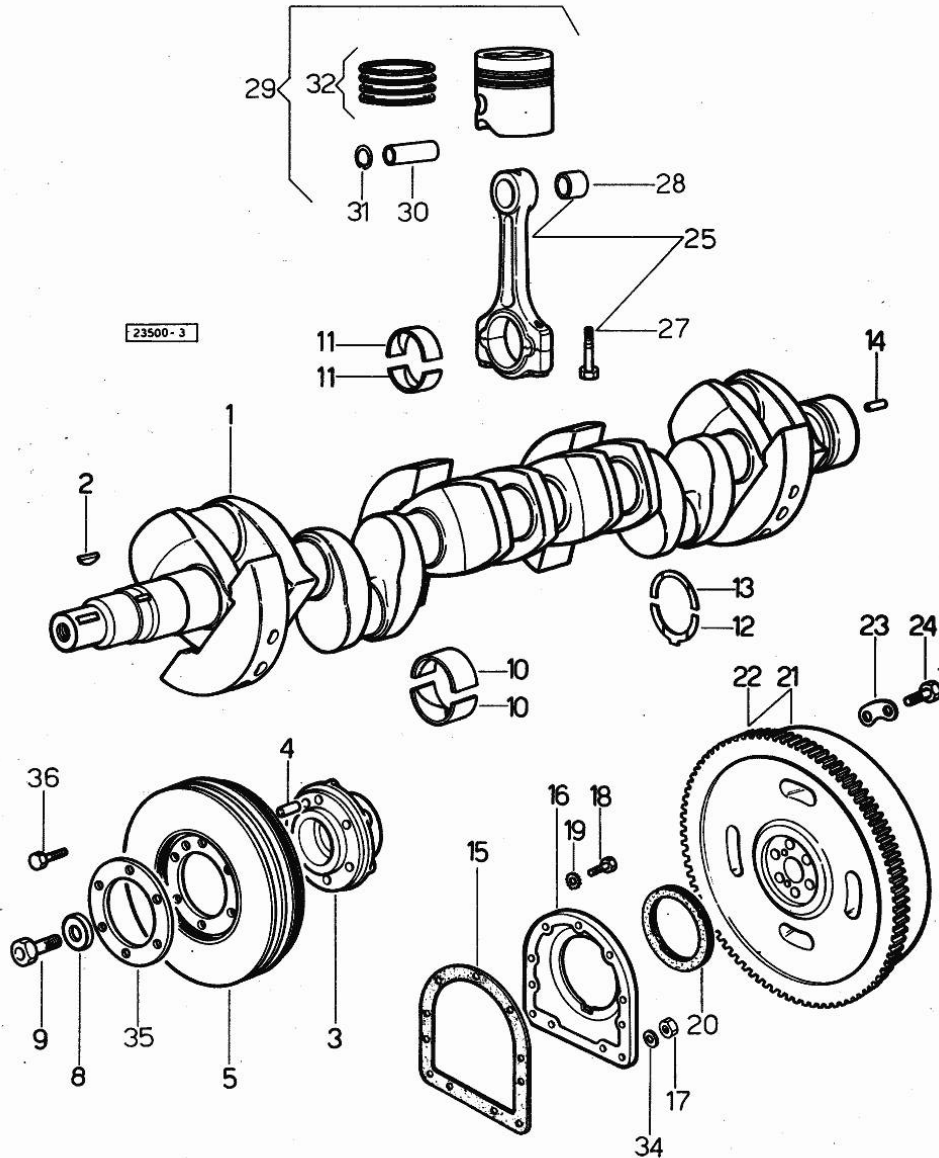
CRANKSHAFT

Fig.	P/n	QTY	Name
------	-----	-----	------

Notes:

[Trident 130 Export]

1	0.047.1210.4	1	crankshaft
2	2.1799.002.0	1	stick 10x13
3	0.037.1250.0/10	1	hub
4	2.1651.909.0	1	cylindrical plug 12 x 20
5	0.046.1246.3	1	antivibration pulley
8	0.001.6020.0	1	shoulder
9	2.0129.032.2	1	screw m 24 p.2x45
10	0.029.0066.0		main half bushing - mm 1.00
10	0.029.1215.0/10	14	main half bushing
10	0.029.1215.7		main half bushing - mm 0.25
10	0.029.1215.8		main half bushing - mm 0.50
10	0.029.1215.9		main half bushing - mm 0.75
11	0.039.0068.0		con.rod half bushing - mm 1.016
11	0.039.1225.0	12	con.rod half bushing
11	0.039.1225.7		con.rod half bushing -mm 0.254
11	0.039.1225.8		con.rod half bushing -mm 0.508
11	0.039.1225.9		con.rod half bushing -mm 0.762
12	0.001.4547.0		shoulder ring + mm 0.05
12	0.001.4548.0		shoulder ring + mm 0.10
12	0.001.4549.0		shoulder ring + mm 0.15
12	0.042.1219.0	2	shoulder ring STANDARD
13	0.001.4544.0		shoulder ring + mm 0.05
13	0.001.4545.0		shoulder ring + mm 0.10
13	0.001.4546.0		shoulder ring + mm 0.15
13	0.042.1218.0	2	shoulder ring STANDARD
14	2.1652.915.0	2	cylindrical plug 12x35
15	0.029.1250.0	1	gasket
16	0.029.1240.0	1	flange
17	2.1011.421.2	2	nut m 10 p.1.25
18	2.0112.309.2	7	screw m 10 p.1.5 x 25
19	2.1480.015.1	7	washer 10
20	2.1519.009.0/10	1	special oil seal
21	0.046.1256.3	1	flywheel
22	0.047.1242.0	1	crown wheel z=128
23	2.1379.006.0	3	lock-tab 15x15x36,5
24	2.0122.515.7	6	screw
25	0.052.1220.3/10	6	engine connecting rod
27	0.039.1250.0	12	screw m 14 p.1.5x63
28	0.002.4168.0	6	bearing
29	0.046.0060.6/10	6	complete piston
29	0.046.0061.6/10		complete piston + mm 0.5



Section: ENGINE

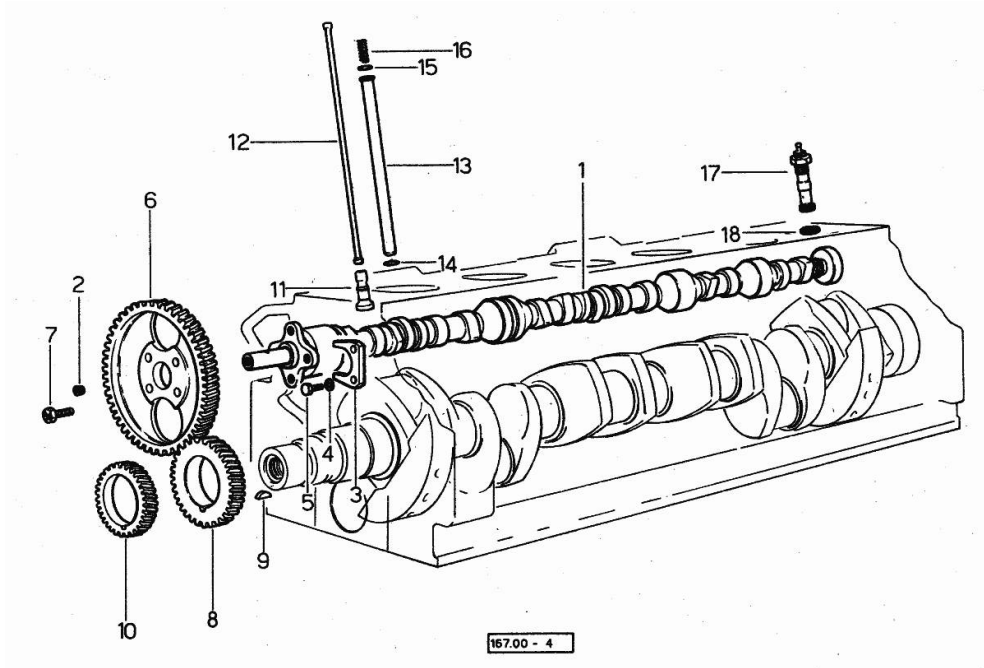
CAMSHAFT

Fig.	P/n	QTY	Name
------	-----	-----	------

Notes:

[Trident 130 Export]

1	0.046.1310.0/10	1	camshaft EXP USA
1	0.047.1310.0/40	1	camshaft
2	2.3130.001.1	1	plug 1/8" gas
3	0.027.1314.0	1	flange
4	2.1470.004.2	2	lock washer 8
5	2.0112.207.2	2	screw m 8 p 1.25 x 20
6	0.062.1321.0	1	gear z=66
7	2.0139.005.1	4	screw m 10 p.1 x 25
8	0.040.1320.0	1	gear z = 33
9	2.1720.010.0	1	key 5x9
10	0.040.1323.0/10	1	gear Z = 38
11	0.052.1330.0/20	12	tappets
12	0.041.1331.3	12	rod
13	0.041.1332.0	12	sleeve
14	2.1539.020.0	12	special oil seal 13.95x2.62
15	2.1539.022.0	12	special oil seal 12.37x2.62
16	2.4019.162.1/20	12	spring 17.2x46x1.8
17	0.041.1355.3	1	transmission
18	2.1560.013.0	1	gasket 18.2x22



Section: ENGINE
CYLINDER HEAD

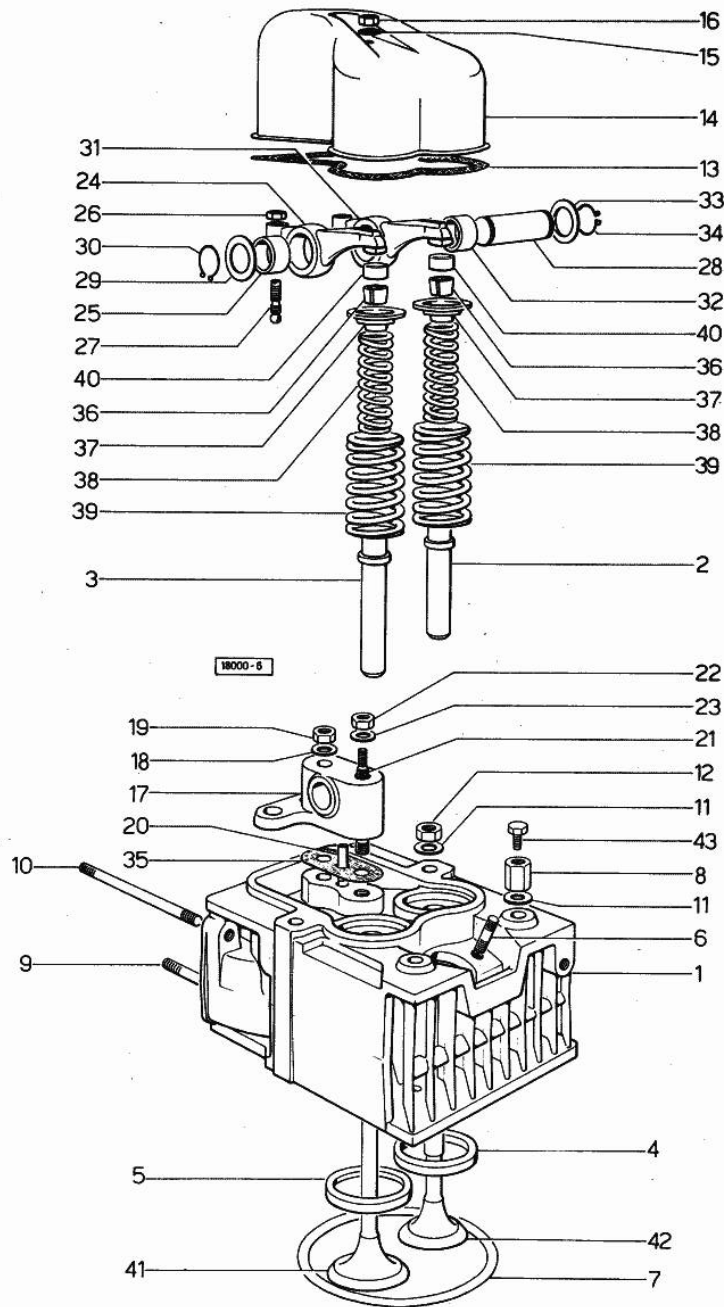


Fig.	P/n	QTY	Name
------	-----	-----	------

Notes:
[Trident 130 Export]

0	0.042.0057.6	1	gasket set FOR GRINDING VALVES OF ONE CYLINDER AND PISTON RING RENEWAL
1	0.044.1450.3/50	6	engine head 13929 <= => 13930
1	0.062.1410.3/10	6	engine head => 13930
2	0.045.1417.0	6	valve guide 13929 <= => 13930
2	0.062.1417.0/10	6	valve guide => 13930
3	0.037.1416.0	6	valve guide 13929 <= => 13930
3	0.062.1416.0/10	6	valve guide => 13930
4	0.037.1452.0/10	6	valve seat 13929 <= => 13930
4	0.062.1450.0/10	6	valve seat => 13930
5	0.037.1451.0/10	6	valve seat 13929 <= => 13930
5	0.062.1451.0/10	6	valve seat => 13930
6	2.0439.087.1	12	stud bolt
7	2.1569.078.0/10	6	gasket 106x118x0.5
8	2.1019.069.0	8	special nut
9	2.0432.007.1	11	stud bolt m 8 p.1.25 / p.1 x 30
10	2.0432.026.1	6	stud bolt m 8 p.1.25 - 1.00 x 110
11	2.1599.144.0	24	shoulder
12	2.1019.068.0	16	special nut
13	0.029.1450.0	6	gasket
14	0.039.1440.0	6	cap
15	2.1560.004.0	6	copper gasket 8.2 x 14
16	2.1099.056.1	6	special nut m8 p.1
17	0.041.1430.0	6	support
18	2.1310.007.2	6	flat washer 13 x 24
19	2.1099.082.0	6	special nut
20	0.029.1452.0	6	tube
21	0.039.1451.0	6	stud bolt
22	2.1011.421.2	6	nut m 10 p.1.25
23	2.1310.006.2	6	flat washer 10.5x21

Section: ENGINE
CYLINDER HEAD

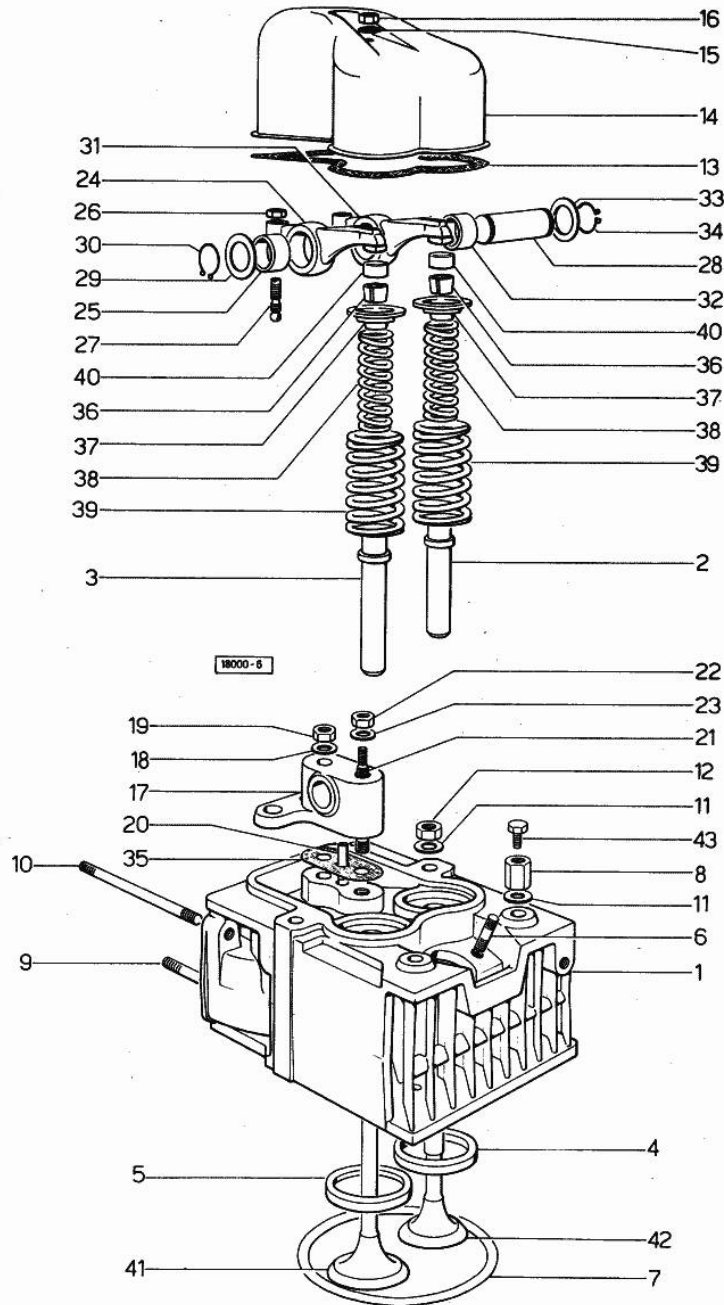


Fig.	P/n	QTY	Name
24	002.5937.3/30	6	rocker arm
25	2.1559.021.0/40	6	bushing 15x19x22
26	2.1011.405.2	12	nut m 8 p.1
27	0.021.1434.0	12	screw
28	0.041.1431.0	6	pin
29	2.1599.019.0	6	shoulder ring 19.5x31x2
30	2.1410.055.1	6	circlip 19
31	0.002.5936.3/40	6	rocker arm
32	2.1559.021.0/40	6	bushing 15x19x22
33	2.1599.019.0	6	shoulder ring 19.5x31x2
34	2.1410.055.1	6	circlip 19
35	0.034.1450.0	6	tappet gasket
36	0.002.9193.0/10	12	conical valve cotter 13929 <= => 13930
36	0.062.1423.0	12	conical valve cotter => 13930
37	0.002.9215.0/10	12	cup 13929 <= => 13930
37	0.062.1425.0	12	cup => 13930
38	2.4019.194.0	12	spring 22.70x50.7x2.1
39	2.4019.193.0	12	spring 36.15x55.2x3.2
40	0.021.1453.0/20	12	small cover 13929 <= => 13930
40	0.062.1452.0	12	small cover => 13930
41	0.052.1420.0	6	inlet valve Ø mm 9 13929 <= => 13930
41	0.062.1420.0/10	6	inlet valve Ø mm 8 => 13930
42	0.039.1421.0	6	exhaust valve Ø mm 9 13929 <= => 13930
42	0.071.1420.2	6	exhaust valve Ø mm 8 => 13930
43	2.0119.053.1	4	screw



Suggest:

For more complete manuals. Please go to the home page.

<https://www.ebooklibonline.com>

If the above button click is invalid. Please download this document first, and then click the above link to download the complete manual.

Thank you so much for reading

Section: ENGINE
LUBRICATION

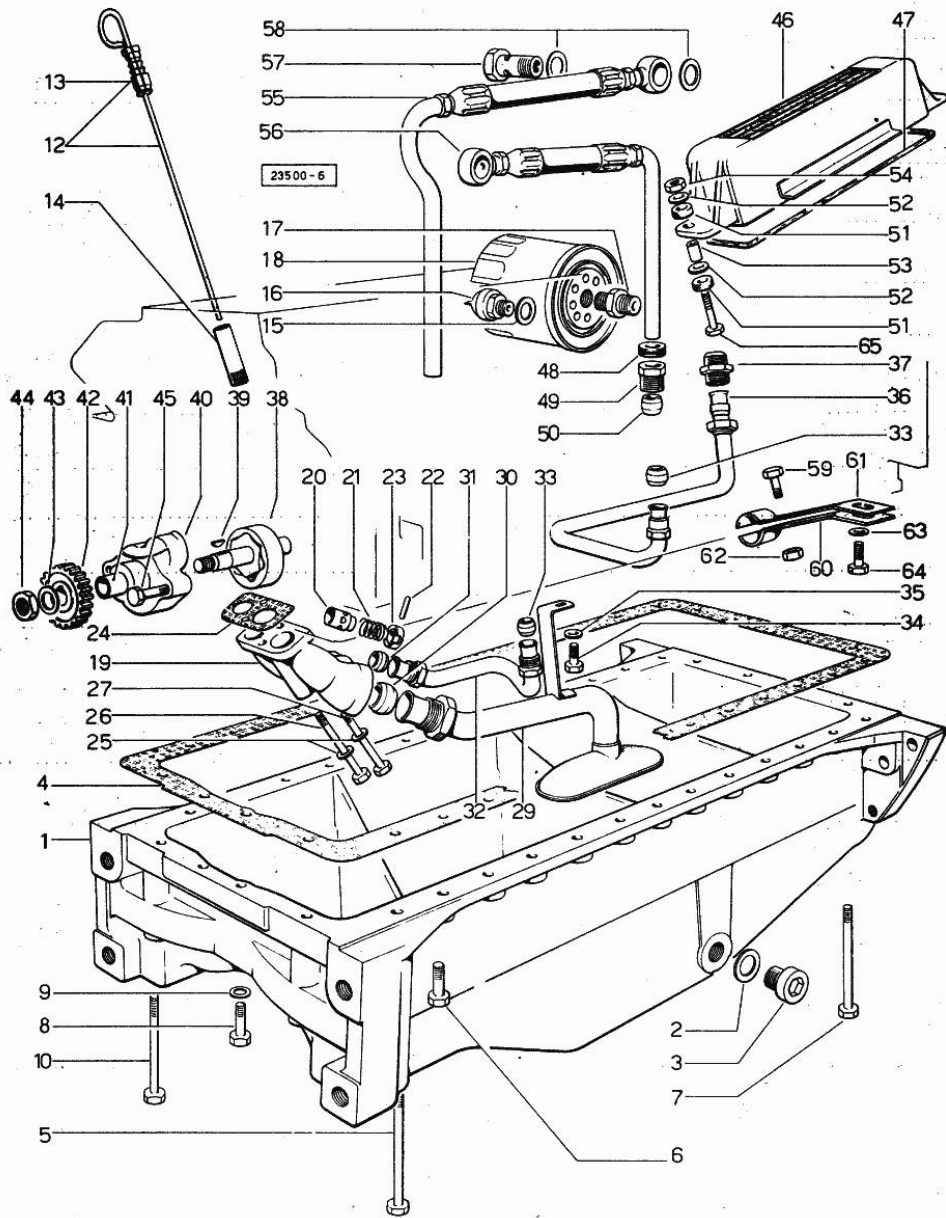


Fig.	P/n	QTY	Name
------	-----	-----	------

Notes:
[Trident 130 Export]

1	0.047.1510.0	1	oil sump
2	2.1560.054.0	1	gasket 21 x 26
3	2.3199.001.2	1	plug 1/2" gas
4	0.037.1512.0	1	gasket
5	2.0112.244.2	2	screw m 8 p.1.25 x 180
6	2.0112.215.2	30	screw m 8 p.1.25 x 40
7	2.0112.237.2	4	screw m 8 p.1.25x140
8	2.0112.217.2	2	screw m 8 p.1.25 x 45
9	2.1560.004.0	4	copper gasket 8.2 x 14
10	2.0112.231.1	2	screw m 8 p 1.25x110
12	0.041.1513.3	1	dipstick
13	0.034.1551.0	1	gasket
14	0.044.1555.0	1	spacer
15	2.1560.008.0	1	gasket 12.2 x 18
16	2.7099.040.0/10	1	pressure switch
17	2.3339.094.1/10	1	pipe fitting m 20 p.1.5-3/4 gas
18	0.041.1556.0	1	oil filter element
19	0.040.1530.0/20	1	tip 13929 <=
19	0.052.1530.0	1	tip => 13930
20	0.040.1550.0	1	small piston 13929 <=
20	0.052.1571.0	1	small piston => 13930
21	2.4019.241.1	1	spring 13929 <=
21	2.4019.270.1	1	spring 9.7x54x2 => 13930
22	2.1630.213.0	1	roll pin 3x32
23	0.040.1551.0	1	stop 13929 <=
23	0.054.1558.0/10	1	stop => 13930
24	0.037.1557.0/20	1	gasket
25	2.1480.014.1	2	washer 8
26	2.0112.225.2	1	screw m 8 p.1.25 x 80
27	2.0112.231.1	1	screw m 8 p 1.25x110
29	0.046.1531.3	1	tube
30	2.3359.017.1	1	nosepiece
31	2.3359.016.1	1	nosepiece

Section: ENGINE
LUBRICATION

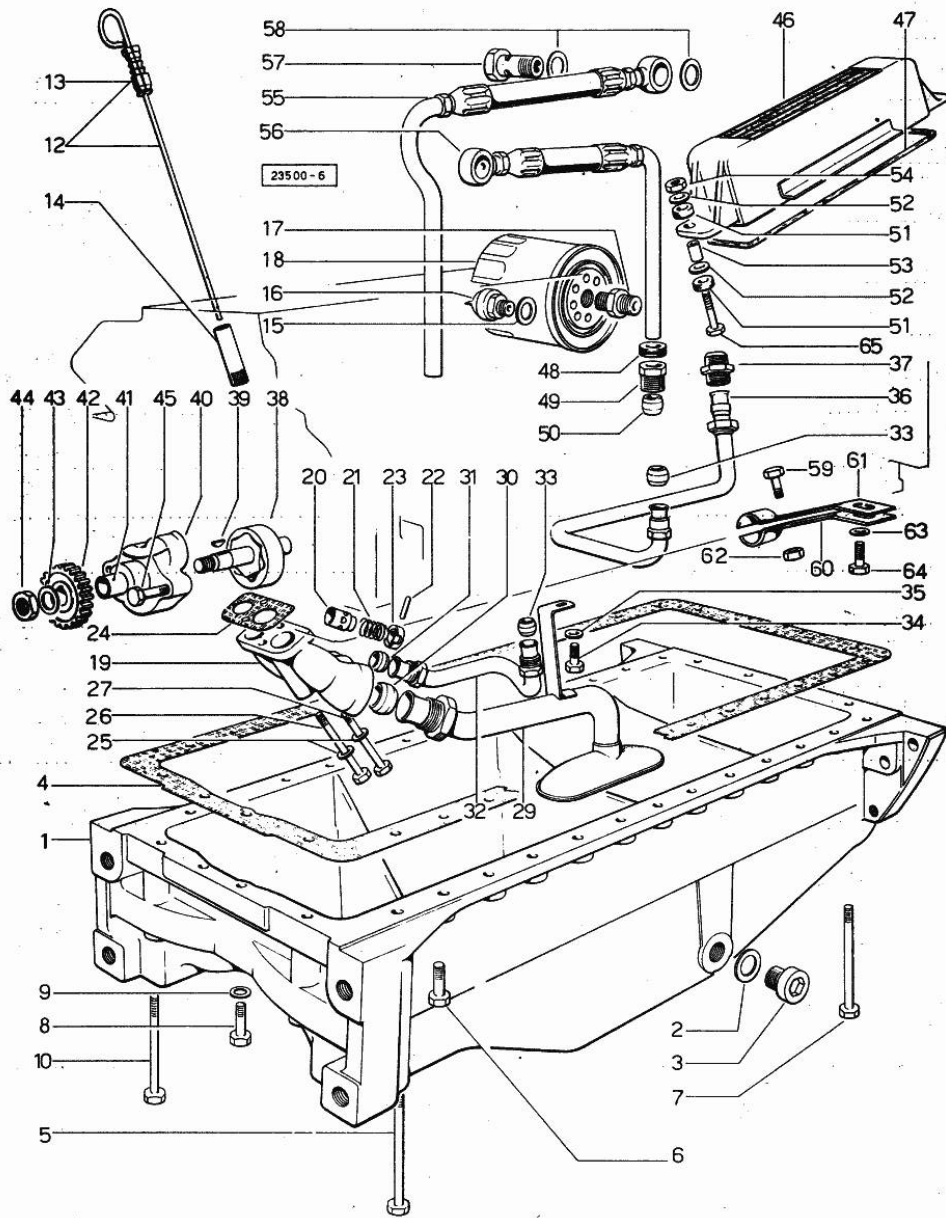


Fig.	P/n	QTY	Name
32	0.044.1560.2	1	tube
33	2.3359.015.1	2	nosepiece
34	2.0112.204.2	1	screw m 8 p.1.25x14
35	2.1310.004.2	1	flat washer 8.4x17
36	0.046.1543.2/10	1	tube
37	2.3339.159.1/10	1	pipe fitting
38	0.040.1524.3/30	1	rotor
39	2.1720.005.0	1	key 4x5
40	0.047.1520.3	1	pump casing
41	2.1559.086.0	1	bushing 18.07x22.06x30
42	0.040.1521.0/10	1	gear z = 27
43	2.1310.007.2	1	flat washer 13 x 24
44	2.1121.109.2	1	self-locking nut m 12 p.1.25
45	2.0112.219.2	2	screw m 8 p.1.25x55
46	0.042.1540.3	1	old part number
47	0.047.1552.0	1	gasket
48	2.6560.013.0	2	wire guide 18x1.5
49	2.3339.167.1	2	pipe fitting
50	2.3359.012.0	2	nosepiece 10x16.8
51	0.021.1560.0	4	rubber plug
52	2.1599.006.0	4	shoulder ring 8.4x25x2
53	2.1579.159.0	2	spacer 8.8x12x16
54	2.1011.405.2	2	nut m 8 p.1
55	0.047.1550.2/30	1	tube
56	0.047.1551.2/20	1	tube
57	2.3339.107.1	2	pipe union m 22
58	2.1560.018.0	6	gasket 22.2 x 29
59	2.0112.207.2	1	screw m 8 p 1.25 x 20
60	0.046.1551.0	1	bracket
61	0.046.1550.0	1	bracket
62	2.1011.105.2	1	nut m 8 p.1.25
63	2.1310.004.2	1	flat washer 8.4x17
64	2.0112.207.2	1	screw m 8 p 1.25 x 20
65	2.0122.213.2	2	screw m 8 p.1x35

<https://www.ebooklibonline.com>

Hello dear friend!

Thank you very much for reading.

Enter the link into your browser.

The full manual is available for immediate download.

<https://www.ebooklibonline.com>