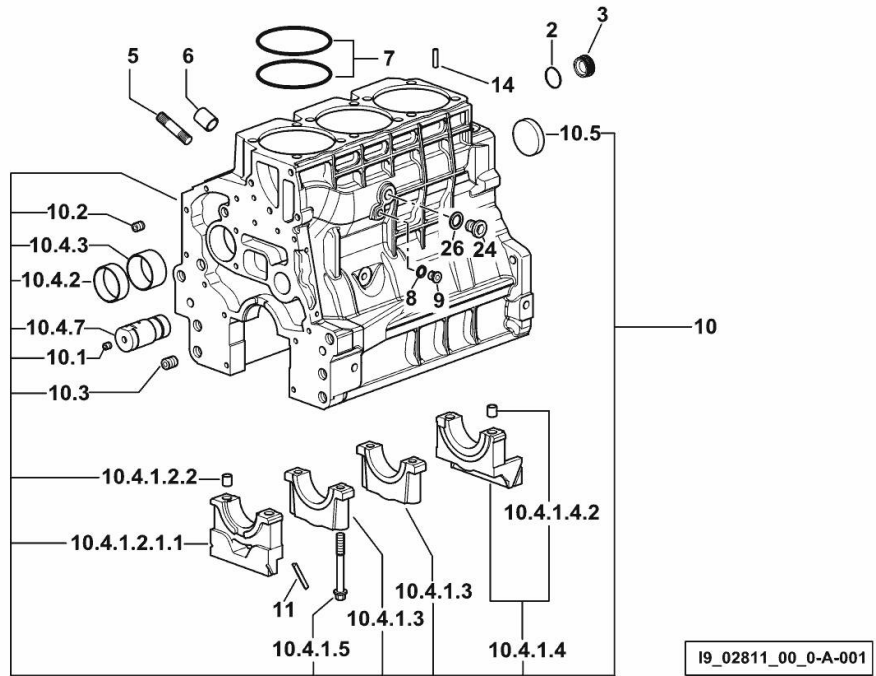


CRANKCASE

| Fig. | P/n | QTY | Name |
|------|-----|-----|------|
|------|-----|-----|------|

Notes:

[TIGER 70 E 2WD ->S10S653WX1E1001] [TIGER 70 E 4WD ->S10S653WT1E1001]



| | | | |
|--------------|-----------------|---|---------------------------------|
| 2 | 2.1532.072.0 | 1 | oil seal 26.70x1.78 |
| 3 | 2.3199.405.2 | 1 | plug m 28 p.1.5 |
| 5 | 2.0432.003.7 | 9 | stud bolt m 8 p.1.25 / p.1 x 20 |
| 6 | 2.1559.188.2 | 3 | bush 11.4 x 14 x16 |
| 7 | 2.1539.259.0 | 6 | special oil seal 107.62x2.62 |
| 8 | 2.1560.010.0 | 1 | gasket 14.2 x 20 |
| 9 | 2.3199.292.0 | 1 | plug 1/4" gas |
| 10 | 0.070.1110.6/20 | 1 | crankcase |
| 10.1 | 2.3130.001.1 | 9 | plug 1/8" gas |
| 10.2 | 2.3130.002.1 | 2 | plug 1/4" gas |
| 10.3 | 2.3130.003.1 | 2 | plug 3/8" gas |
| 10.4.1.2.1.1 | 0.065.1112.7/10 | 1 | support |
| 10.4.1.2.2 | 2.1699.165.0 | 1 | bush 12.3x15x16 |
| 10.4.1.3 | 0.065.1114.0/10 | 2 | support |
| 10.4.1.4 | 0.065.1116.3 | 1 | support |
| 10.4.1.4.2 | 2.1699.165.0 | 1 | bush 12.3x15x16 |
| 10.4.1.5 | 0.065.1117.0 | 8 | screw m 12 x 100 |
| 10.4.2 | 0.065.1140.0 | 3 | special bushing 59X55X20 |
| 10.4.3 | 0.065.1141.0 | 1 | special bushing 59X55X30 |
| 10.4.7 | 0.066.1151.0 | 1 | pin L= 87 mm |
| 10.5 | 2.3179.012.0 | 1 | plug 60 |
| 11 | 0.066.1152.0/10 | 4 | gasket |
| 14 | 2.1549.154.2 | 3 | bush 4.8x5.8x16 |
| 24 | 2.3120.101.0 | 1 | plug m 18 p.1.5 |
| 26 | 2.1560.014.0 | 1 | washer 18.2 x 24 |

TIGER 70 E ->S10S653WT1E1001

Section: B0 - ENGINE

Ref: B0.01.3 (1)

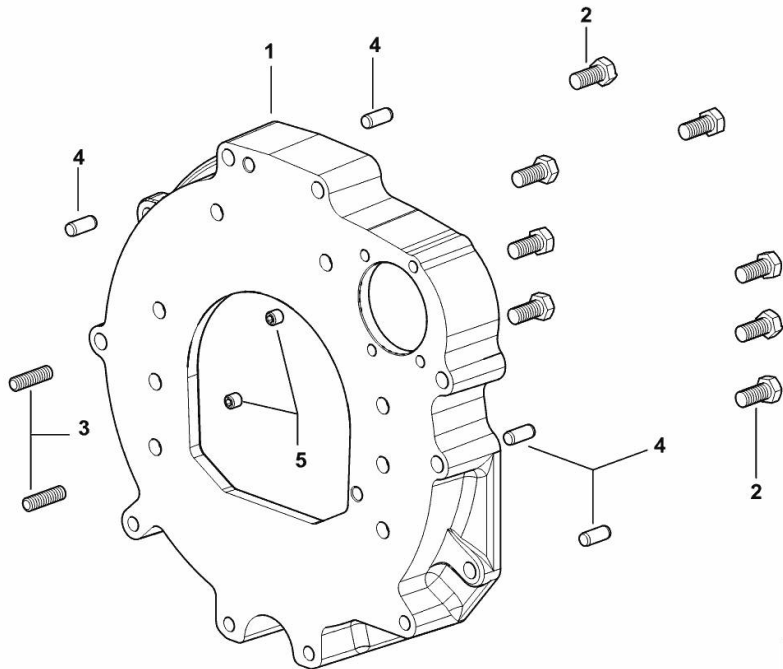
MONOBLOC ENGINE-GEARBOX CONNECTING FLANGE

| Fig. | P/n | QTY | Name |
|------|-----|-----|------|
|------|-----|-----|------|

Notes:

[TIGER 70 E 2WD ->S10S653WX1E1001] [TIGER 70 E 4WD ->S10S653WT1E1001]

| | | | |
|---|--------------|---|-------------------------------|
| 1 | 0.015.8814.0 | 1 | flange |
| 2 | 2.0112.511.2 | 8 | screw m 14 p.2 x 30 |
| 3 | 2.0432.255.7 | 2 | stud bolt m 12 p.1.75-1.25x25 |
| 4 | 2.1651.912.0 | 4 | cylindrical plug 12x28 |
| 5 | 2.0512.404.7 | 2 | screw |

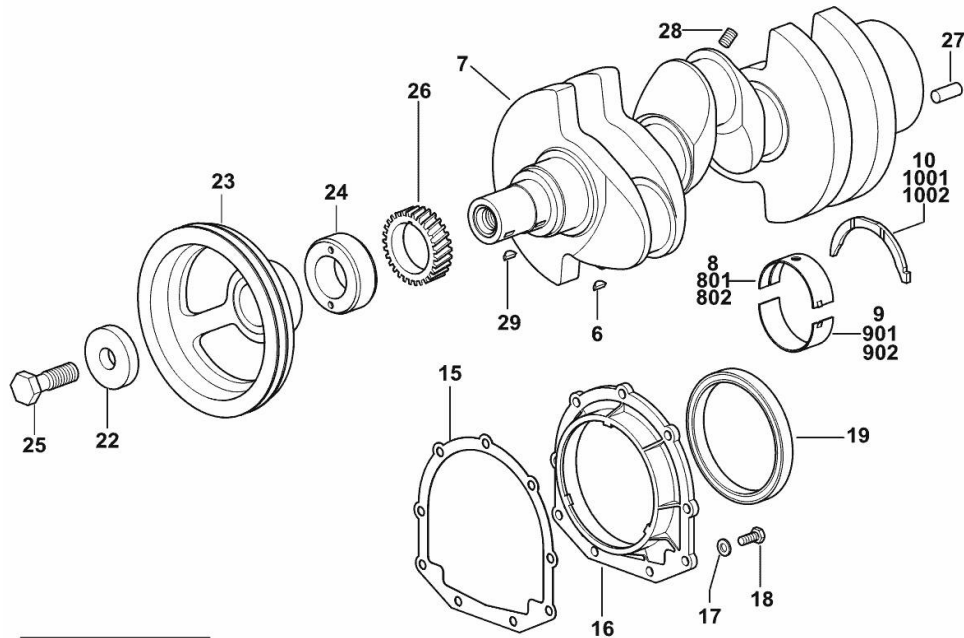


CRANKSHAFT

| Fig. | P/n | QTY | Name |
|------|-----|-----|------|
|------|-----|-----|------|

Notes:

[TIGER 70 E 2WD ->S10S653WX1E1001] [TIGER 70 E 4WD ->S10S653WT1E1001]



| | | | |
|------|-----------------|---|-----------------------------|
| 6 | 2.1720.006.0 | 1 | key 4x6.5 |
| 7 | 0.007.1554.0/20 | 1 | crankshaft |
| 8 | 0.065.1215.0/10 | 4 | main half bushing STANDARD |
| 9 | 0.065.1216.0/10 | 4 | main half bushing STANDARD |
| 10 | 0.065.1218.0 | 4 | shim STANDARD |
| 15 | 0.065.1254.0/20 | 1 | gasket |
| 16 | 0.007.1711.0/10 | 1 | cover |
| 17 | 2.1475.002.2 | 9 | conical washer 8 |
| 18 | 2.0112.207.2 | 9 | screw m 8 p 1.25 x 20 |
| 19 | 2.1529.073.0 | 1 | special oil seal 110x130x13 |
| 22 | 2.1599.524.7 | 1 | washer 21x60x12 |
| 23 | 0.014.5093.0 | 1 | pulley |
| 24 | 0.085.1248.0/20 | 1 | hub |
| 25 | 2.0399.144.7/10 | 1 | screw m 20 p.1.5x51 |
| 26 | 0.065.1323.0/30 | 1 | gear Z = 29 |
| 27 | 2.1651.915.0 | 1 | pin 12x35 |
| 28 | 2.3130.001.1 | 3 | plug 1/8" gas |
| 29 | 2.1720.006.0 | 1 | key 4x6.5 |
| 801 | 0.065.1215.7 | 1 | main half bushing - mm 0.25 |
| 802 | 0.065.1215.8 | 1 | main half bushing - mm 0.50 |
| 901 | 0.065.1216.7 | 1 | main half bushing - mm 0.25 |
| 902 | 0.065.1216.8 | 1 | main half bushing - mm 0.50 |
| 1001 | 0.065.1218.7 | 1 | shim + mm 0.10 |
| 1002 | 0.065.1218.8 | 1 | shim + mm 0.15 |

19_O2812_00_0-A-001

<https://www.ebooklibonline.com>

Hello dear friend!

Thank you very much for reading.

Enter the link into your browser.

The full manual is available for immediate download.

<https://www.ebooklibonline.com>

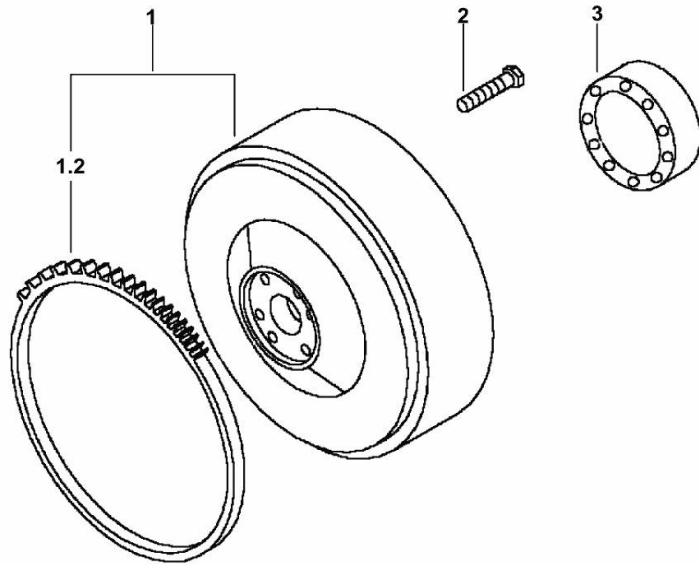
ENGINE FLYWHEEL

| Fig. | P/n | QTY | Name |
|------|-----|-----|------|
|------|-----|-----|------|

Notes:

[TIGER 70 E 2WD ->S10S653WX1E1001] [TIGER 70 E 4WD ->S10S653WT1E1001]

| | | | |
|-----|-----------------|---|-----------------------|
| 1 | 0.012.0925.3 | 1 | flywheel |
| 1.2 | 0.069.1242.0 | 1 | crown wheel Z = 121 |
| 2 | 2.0119.174.0/10 | 6 | screw m 12 p.1.25x45 |
| 3 | 2.2041.008.9 | 1 | ball bearing 20x47x14 |



19_38512_02_0-A-001

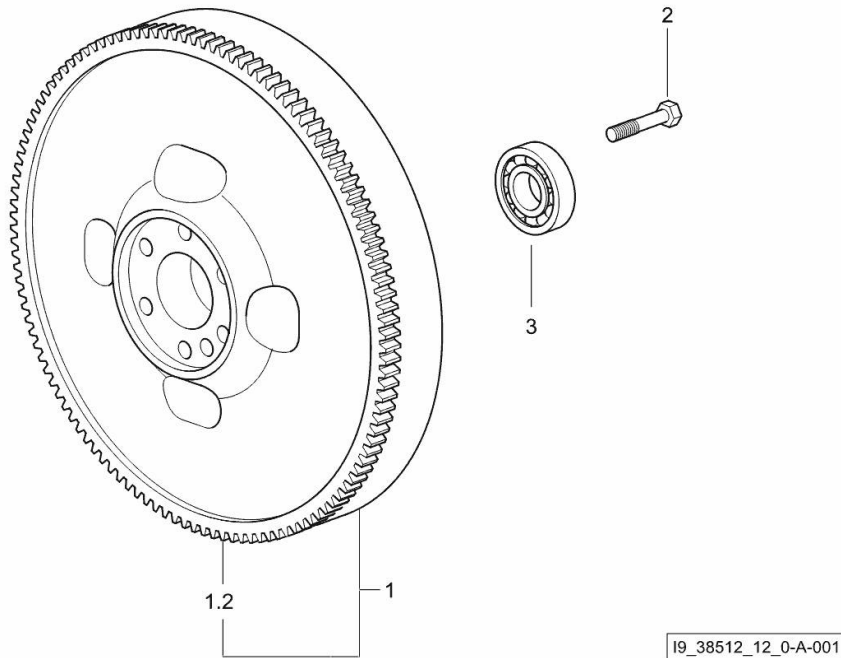
ENGINE FLYWHEEL

| Fig. | P/n | QTY | Name |
|------|-----|-----|------|
|------|-----|-----|------|

Notes:

- FOR TYPES WITH DOUBLE CLUTCH [TIGER 70 E 2WD ->S10S653WX1E1001] - FOR TYPES WITH DOUBLE CLUTCH [TIGER 70 E 4WD ->S10S653WT1E1001]

| | | | |
|-----|-----------------|---|-----------------------|
| 1 | 0.007.1617.3/30 | 1 | flywheel |
| 1.2 | 0.069.1242.0 | 1 | crown wheel Z = 121 |
| 2 | 2.0119.174.0/10 | 6 | screw m 12 p.1.25x45 |
| 3 | 2.2041.008.9 | 1 | ball bearing 20x47x14 |



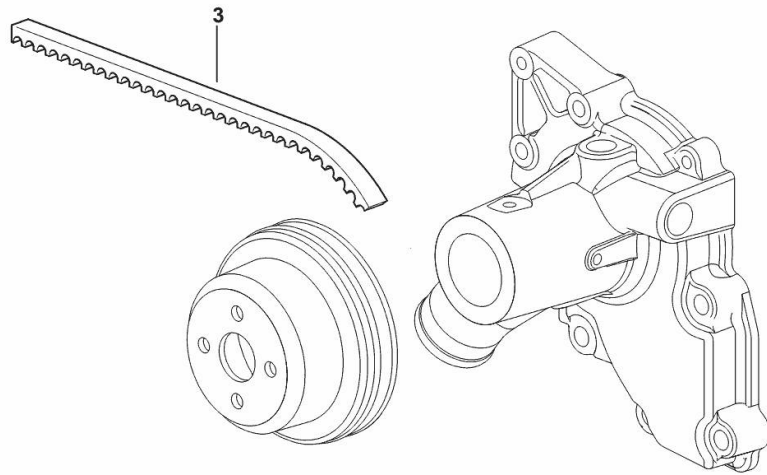
COOLANT PUMP DRIVEBELT

| Fig. | P/n | QTY | Name |
|------|-----|-----|------|
|------|-----|-----|------|

Notes:

[TIGER 70 E 2WD ->S10S653WX1E1001] 1061 <- [TIGER 70 E 4WD ->S10S653WT1E1001] 1061 <-

| | | | |
|---|--------------|---|-------------------|
| 3 | 2.4119.139.0 | 1 | belt mm 10.7x1254 |
|---|--------------|---|-------------------|



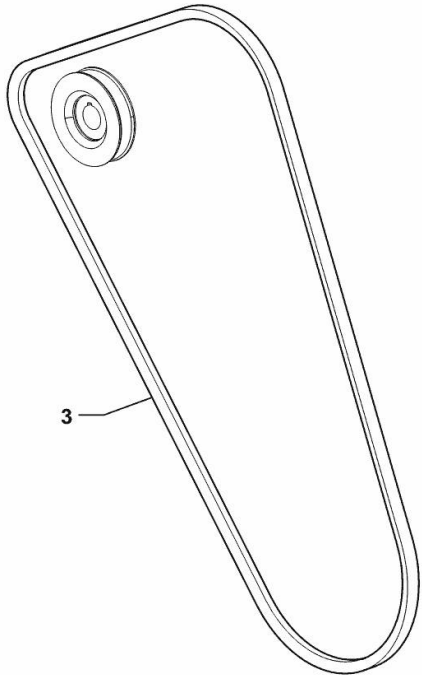
19_O2817_02_0-B-001

COOLANT PUMP AND ALTERNATOR DRIVEBELT

| Fig. | P/n | QTY | Name |
|------|-----|-----|------|
|------|-----|-----|------|

Notes:
[TIGER 70 E 2WD ->S10S653WX1E1001]-> 1062 [TIGER 70 E 4WD ->S10S653WT1E1001] -> 1062

| | | | |
|---|--------------|---|--------------------------|
| 3 | 2.4119.198.0 | 1 | vee belt AV 10.7x1240 mm |
|---|--------------|---|--------------------------|



19_O2519_11_0-A-001

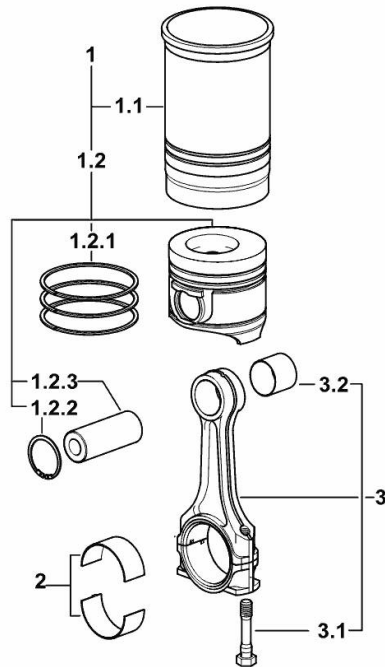
CYLINDER - PISTON - CONNECTING ROD

| Fig. | P/n | QTY | Name |
|------|-----|-----|------|
|------|-----|-----|------|

Notes:

[TIGER 70 E 2WD ->S10S653WX1E1001] [TIGER 70 E 4WD ->S10S653WT1E1001]

| | | | |
|-------|-----------------|---|--|
| 1 | 0.388.0065.A | 3 | cyl. piston assembly "A" - CLASS A |
| 1 | 0.388.0065.B | 3 | cyl. piston assembly "B" - CLASS B |
| 1.1 | 0.A12.2675.0 | 1 | engine cylinder "A" - CLASS A |
| 1.1 | 0.B12.2675.0 | 1 | engine cylinder "B" - CLASS B |
| 1.2 | 0.381.0060.A | 1 | complete piston "A" - CLASS A |
| 1.2 | 0.381.0060.B | 1 | complete piston "B" - CLASS B |
| 1.2.1 | 0.338.0052.6/20 | 1 | piston ring set |
| 1.2.2 | 2.1411.014.1 | 2 | circlip 35 |
| 1.2.3 | 0.078.1236.0 | 1 | piston pin Ø 18 / Ø 35 / L = mm 86 |
| 2 | 0.065.1225.0 | 6 | con.rod half bushing STANDARD - A = 28.75 -> 29.00 |
| 2 | 0.065.1225.7 | 6 | con.rod half bushing - mm 0.25 |
| 2 | 0.065.1225.8 | 6 | con.rod half bushing - mm 0.50 |
| 3 | 0.078.1220.3/30 | 3 | engine connecting rod |
| 3.1 | 2.0399.213.0 | 2 | screw m 12 p.1.25x61.5 |
| 3.2 | 2.1559.114.0/10 | 1 | special bushing |



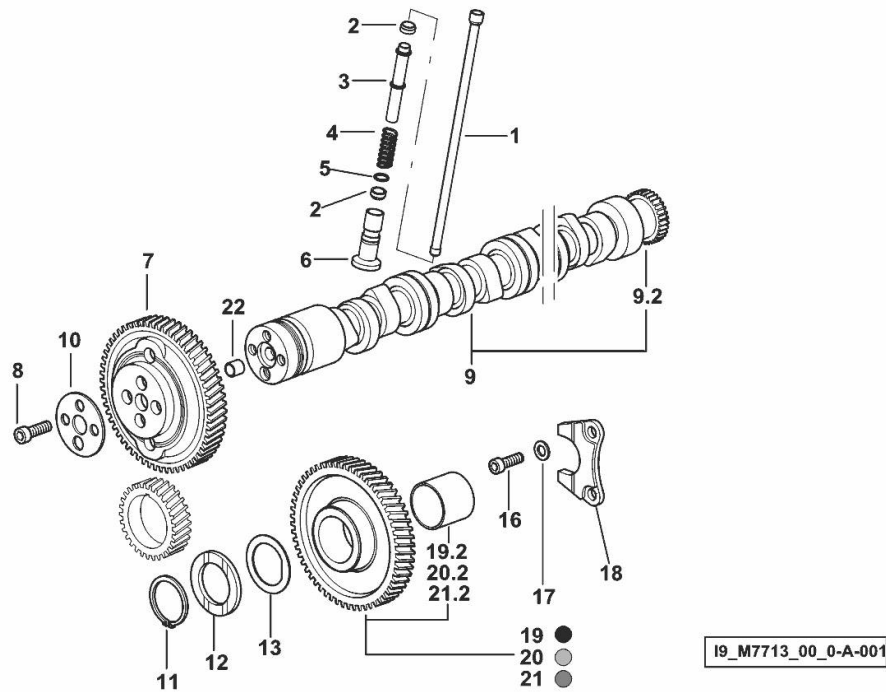
I9_M7712_03_M-A-001

CAMSHAFT

| Fig. | P/n | QTY | Name |
|------|-----|-----|------|
|------|-----|-----|------|

Notes:

[TIGER 70 E 2WD ->S10S653WX1E1001] [TIGER 70 E 4WD ->S10S653WT1E1001]



| | | | |
|------|-----------------|-----|---|
| 1 | 0.065.1331.2 | 6 | rod |
| 2 | 2.1569.114.0/10 | 12 | gasket 14x18.5x8 |
| 3 | 0.065.1332.0 | 6 | sleeve |
| 4 | 2.4019.300.1/10 | 6 | spring 18.5x52x2 |
| 5 | 2.1599.437.0 | 6 | shoulder ring |
| 6 | 0.065.1330.0 | 6 | tappets |
| 7 | 0.013.5017.0 | 1 | gear z=58 |
| 8 | 2.0132.207.2 | 4 | screw m 10 p.1 x 25 |
| 9 | 0.009.7456.3/10 | 1 | camshaft |
| 9.2 | 0.065.1324.0/10 | 1 | gear Z = 32 |
| 10 | 0.065.1350.0 | 1 | small disc |
| 11 | 2.1410.016.1 | 1 | circlip 40 |
| 12 | 0.065.1352.0 | 1 | shim |
| 13 | 0.018.2233.0 | 2 | shoulder ring |
| 16 | 2.0312.205.2 | 2 | screw |
| 17 | 2.1480.014.1 | 2 | washer 8 |
| 18 | 0.065.1353.0 | 1 | small plate |
| 19 | 0.007.1177.3/20 | 0.4 | gear z = 57 - WITH RED IDENTIFICATION STAMP |
| 19.2 | 2.1559.185.0/10 | 1 | bushing |
| 20 | 0.007.1178.3/20 | 0.4 | gear z = 57 - WITH YELLOW IDENTIFICATION STAMP |
| 20.2 | 2.1559.185.0/10 | 1 | bushing |
| 21 | 0.007.1179.3/20 | 0.2 | gear z = 57 - WITH GREEN IDENTIFICATION STAMP |
| 21.2 | 2.1559.185.0/10 | 1 | bushing |
| 22 | 2.1559.398.0 | 1 | bushing 10.5x13x12 |

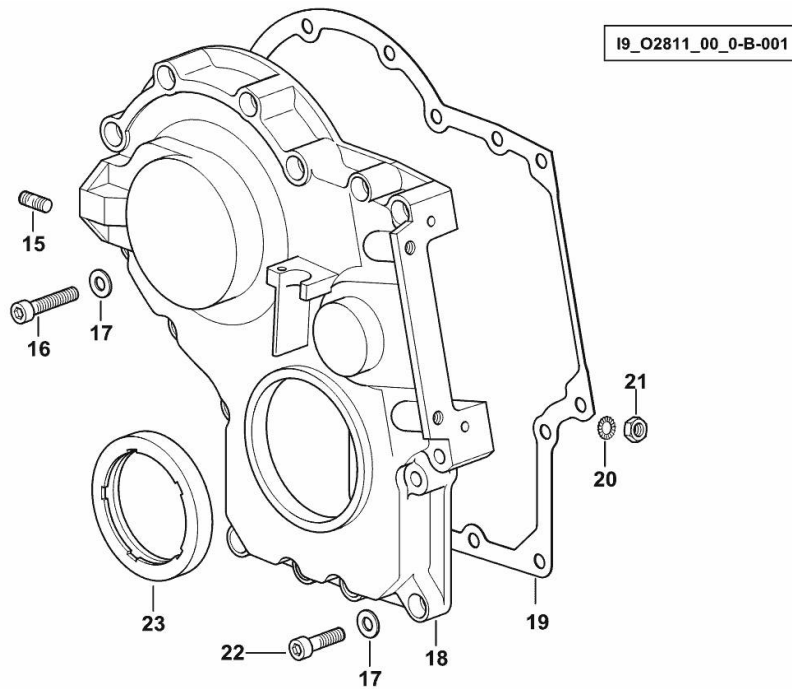
TIMING CASE

| Fig. | P/n | QTY | Name |
|------|-----|-----|------|
|------|-----|-----|------|

Notes:

[TIGER 70 E 2WD ->S10S653WX1E1001] [TIGER 70 E 4WD ->S10S653WT1E1001]

| | | | |
|----|-----------------|----|---------------------------------|
| 15 | 2.0432.003.7 | 2 | stud bolt m 8 p.1.25 / p.1 x 20 |
| 16 | 2.0312.214.2 | 7 | screw m 8 p.1.25 x 40 |
| 17 | 2.1480.014.1 | 15 | washer 8 |
| 18 | 0.013.4981.0 | 1 | guard |
| 19 | 0.065.1150.0/30 | 1 | gasket |
| 20 | 2.1470.004.2 | 4 | lock washer 8 |
| 21 | 2.1011.405.2 | 2 | nut m 8 p.1 |
| 22 | 2.0312.208.2 | 8 | screw m 8 p.1.25 x 25 |
| 23 | 2.1529.167.0 | 1 | oil seal |



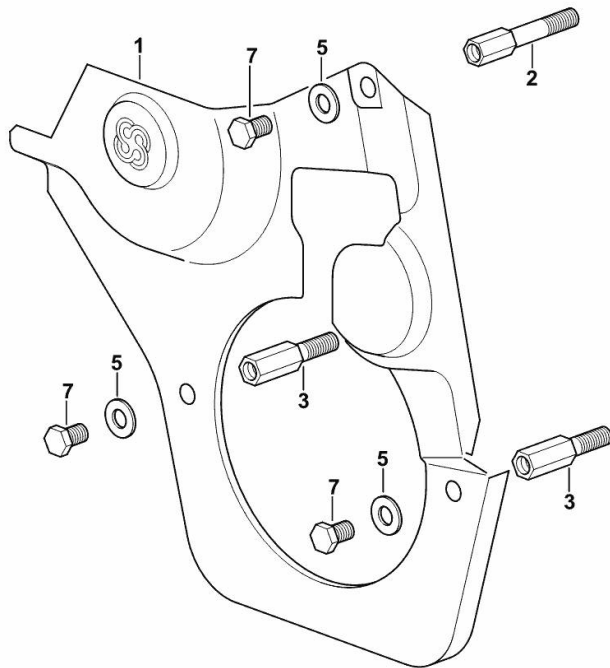
GUARD PLATE

| Fig. | P/n | QTY | Name |
|------|-----|-----|------|
|------|-----|-----|------|

Notes:

[TIGER 70 E 2WD ->S10S653WX1E1001] [TIGER 70 E 4WD ->S10S653WT1E1001]

| | | | |
|---|-----------------|---|-------------------------------------|
| 1 | 0.007.1262.3/50 | 1 | guard |
| 2 | 0.012.0707.0 | 1 | small column m 8 p.1.25 / L = mm 60 |
| 3 | 0.012.0708.0 | 2 | small column m 8 p.1.25 / L = mm 50 |
| 5 | 2.1310.004.2 | 3 | flat washer 8.4x17 |
| 7 | 2.0112.203.2 | 3 | screw m 8 p.1.25 x 12 |



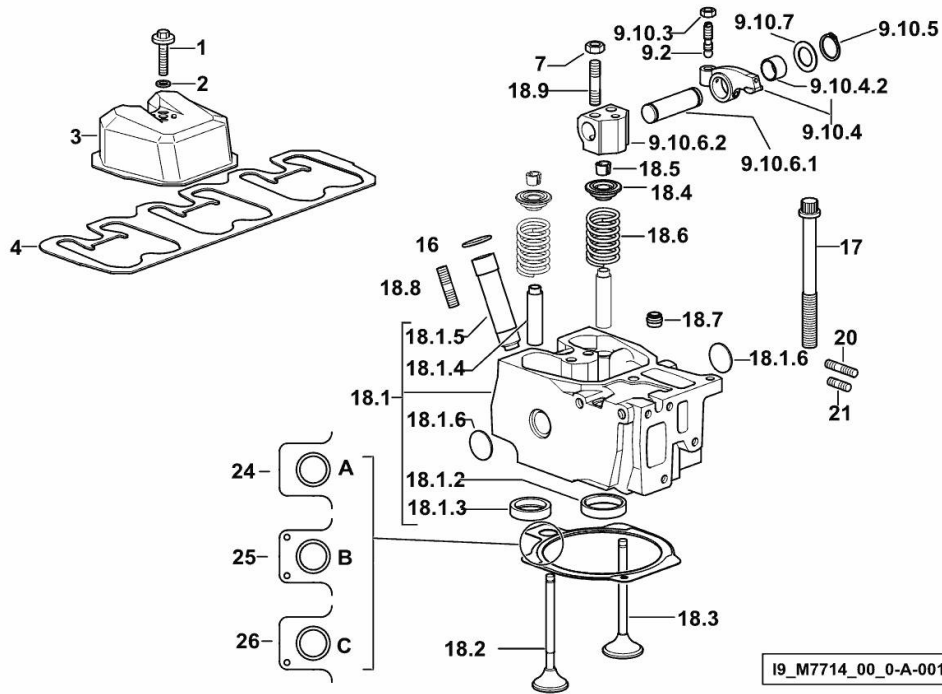
19_N8911_03_0-A-001

Section: B0 - ENGINE
CYLINDER HEAD

| Fig. | P/n | QTY | Name |
|------|-----|-----|------|
|------|-----|-----|------|

Notes:

[TIGER 70 E 2WD ->S10S653WX1E1001] [TIGER 70 E 4WD ->S10S653WT1E1001]



| | | | |
|----------|-----------------|-----|------------------------------------|
| 1 | 2.0399.288.2/10 | 3 | screw m 8x36x46 |
| 2 | 2.1532.018.0 | 3 | oil seal 9.19 x 2.62 |
| 3 | 0.016.0291.0 | 3 | small cap |
| 4 | 0.069.1450.0/30 | 1 | tappet gasket |
| 7 | 2.1011.421.2 | 6 | nut m 10 p.1.25 |
| 9.2 | 0.021.1434.0 | 2 | screw |
| 9.10.3 | 2.1011.405.2 | 2 | nut m 8 p.1 |
| 9.10.4 | 0.066.1432.3 | 2 | rocker arm |
| 9.10.4.2 | 2.1559.021.0/40 | 1 | bushing 15x19x22 |
| 9.10.5 | 2.1410.055.7 | 2 | circlip 19 |
| 9.10.6.1 | 0.066.1431.0 | 1 | pin |
| 9.10.6.2 | 0.066.1430.0/10 | 1 | support |
| 9.10.7 | 2.1599.432.0 | 2 | shoulder ring |
| 16 | 2.1530.051.0 | 3 | oil seal 20.22x3.53 |
| 17 | 0.012.2673.0 | 12 | screw m 14 p.2x141 |
| 18.1 | 0.015.9713.3/10 | 1 | engine head |
| 18.1.2 | 0.078.1426.0 | 1 | valve seat |
| 18.1.3 | 0.066.1427.0 | 1 | valve seat |
| 18.1.4 | 0.007.1779.0/20 | 2 | valve guide |
| 18.1.5 | 0.010.6041.0/10 | 1 | bush |
| 18.1.6 | 2.3170.012.2 | 2 | expansion plug Ø 30 |
| 18.2 | 0.010.6022.0 | 1 | exhaust valve mm 39.1 / Ø mm 9 |
| 18.3 | 0.010.6017.0 | 1 | inlet valve mm 43.63 / Ø mm 9 |
| 18.4 | 0.066.1425.0 | 2 | cup |
| 18.5 | 0.074.1423.0 | 4 | conical valve cotter |
| 18.6 | 2.4019.287.0 | 2 | spring |
| 18.7 | 2.1519.117.0 | 2 | special oil seal |
| 18.8 | 2.0432.161.7 | 1 | stud bolt m 10 p.1.5 / p.1.25 x 40 |
| 18.9 | 2.0432.163.7 | 2 | stud bolt m 10 p.1.5 / p.1.25 x 45 |
| 20 | 2.0432.011.7 | 3 | stud bolt m 8 p.1.25 / p.1 x 40 |
| 21 | 2.0432.005.7 | 3 | stud bolt m 8 p.1.5 / p.1 x 25 |
| 24 | 0.078.1451.0/60 | 0.5 | head gasket - A - mm 1.2 |
| 25 | 0.078.1452.0/50 | 2 | head gasket - B - mm 1.4 |
| 26 | 0.078.1453.0/60 | 0.5 | head gasket - C - mm 1.6 |

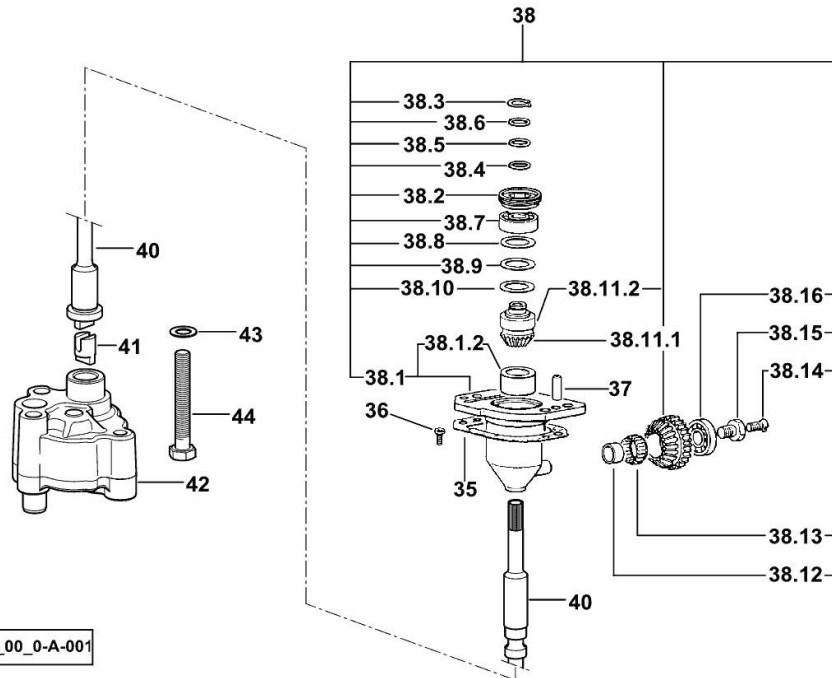
ENGINE OIL PUMP

| Fig. | P/n | QTY | Name |
|------|-----|-----|------|
|------|-----|-----|------|

Notes:

[TIGER 70 E 2WD ->S10S653WX1E1001] [TIGER 70 E 4WD ->S10S653WT1E1001]

| | | | |
|---------|-----------------|---|----------------------------------|
| 35 | 0.065.1560.0/30 | 2 | gasket |
| 36 | 2.0169.005.2 | 2 | screw m 6 p.1 x 12 |
| 37 | 2.1652.711.0 | 2 | cylindrical plug 8x25 |
| 38 | 0.075.1551.4/30 | 1 | support |
| 38.1 | 0.075.1551.3/40 | 1 | support |
| 38.1.2 | 2.1559.186.0 | 1 | special bushing 26 x 31.5 x 35 |
| 38.2 | 2.1219.025.2/10 | 1 | ring nut m 36 p.1.5 |
| 38.3 | 2.1410.057.1 | 1 | circlip 15 |
| 38.4 | 2.1589.153.0 | 1 | shoulder ring 15.2 x 19 x 1.00 |
| 38.5 | 2.1589.146.0 | 2 | shoulder ring 15.2 x 19 x 0.15 |
| 38.6 | 2.1589.147.0 | 2 | shoulder ring 15.2 x 19 x 0.10 |
| 38.7 | 2.2020.001.0 | 1 | ball bearing 15 x 32 x 8.00 |
| 38.8 | 2.1589.148.0 | 1 | shoulder ring 28.2 x 31.8 x 0.5 |
| 38.9 | 2.1589.150.0 | 2 | shoulder ring 28.2 x 31.8 x 0.1 |
| 38.10 | 2.1589.151.0 | 2 | shoulder ring 28.2 x 31.8 x 0.15 |
| 38.11.1 | 0.065.1558.6/10 | 1 | bevel drive |
| 38.11.2 | 0.065.1559.0 | 1 | bush |
| 38.12 | 2.2680.020.0 | 1 | ring 12 x 15 x 12 |
| 38.13 | 2.2725.016.0 | 1 | roller cage 15 x 21 x 12 |
| 38.14 | 2.0342.007.2 | 1 | screw m 4 p.0.7x25 |
| 38.15 | 2.0399.128.2/10 | 1 | screw m 8 p.1 x 8 |
| 38.16 | 2.2030.002.0 | 1 | ball bearing 12 x 28 x 8 |
| 40 | 0.065.1569.0/40 | 1 | shaft |
| 41 | 0.065.1562.0/10 | 1 | joint |
| 42 | 0.014.7994.4 | 1 | oil pump |
| 43 | 2.1470.006.2 | 2 | lock washer 10 |
| 44 | 2.0112.323.2 | 2 | screw m 10 p.1.5x70 |



19_N8915_00_0-A-001



Suggest:

For more complete manuals. Please go to the home page.

<https://www.ebooklibonline.com>

If the above button click is invalid. Please download this document first, and then click the above link to download the complete manual.

Thank you so much for reading

LUBRICATION

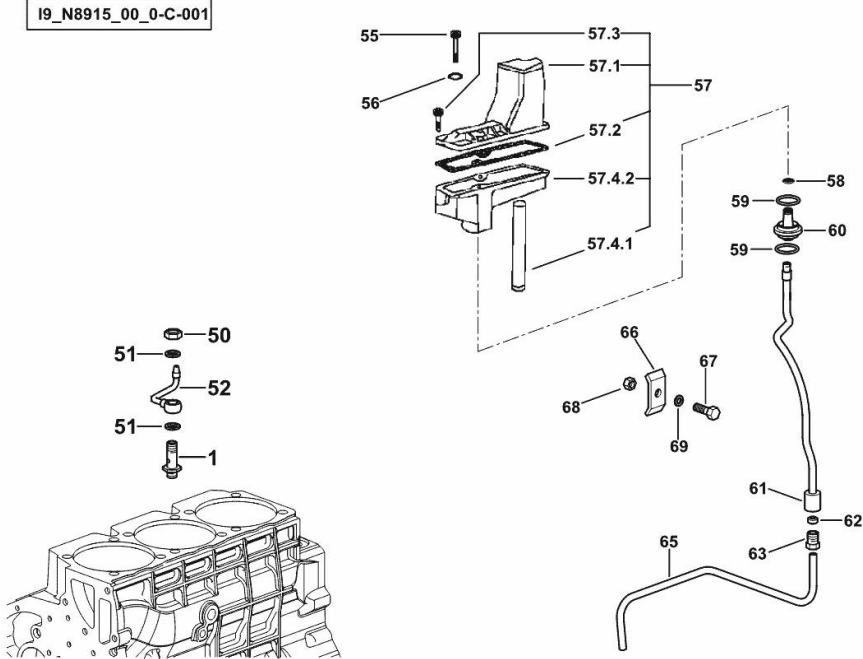
| Fig. | P/n | QTY | Name |
|------|-----|-----|------|
|------|-----|-----|------|

Notes:

[TIGER 70 E 2WD ->S10S653WX1E1001] [TIGER 70 E 4WD ->S10S653WT1E1001]

| | | | |
|--------|-----------------|----|-------------------------------|
| 1 | 0.065.1160.3/20 | 3 | valve |
| 50 | 2.1099.108.2 | 3 | special nut m 10 p.1 |
| 51 | 2.1560.006.0 | 12 | gasket 10.2 x 16 |
| 52 | 0.086.1550.2 | 3 | sprayer nozzle |
| 55 | 2.0312.221.2 | 2 | screw m 8 p.1.25x75 |
| 56 | 2.1480.014.1 | 2 | washer 8 |
| 57 | 0.012.0688.4 | 1 | sediment bowl |
| 57.1 | 0.066.1553.0 | 1 | cover |
| 57.2 | 0.066.1554.0/20 | 1 | gasket |
| 57.3 | 2.0399.304.2 | 4 | screw m 4 x 10 |
| 57.4.1 | 0.066.1555.0 | 1 | tube |
| 57.4.2 | 0.012.0688.0 | 1 | small tank |
| 58 | 2.1532.012.0 | 1 | oil seal 6.75 x 1.78 |
| 59 | 2.1539.072.0 | 2 | special oil seal 23.52 x 1.78 |
| 60 | 0.066.1558.0 | 1 | bush |
| 61 | 0.066.1557.2 | 1 | tube |
| 62 | 2.3350.003.1 | 1 | nosepiece 8 |
| 63 | 2.3339.418.1 | 1 | pipe fitting m 12 p.1 |
| 65 | 0.007.1427.0 | 1 | tube |
| 66 | 0.002.8816.0 | 1 | small plate |
| 67 | 2.0112.007.2 | 1 | screw m 6 p.1 x 20 |
| 68 | 2.1011.103.2 | 1 | nut m 6 p.1 |
| 69 | 2.1470.002.2 | 1 | lock washer 6 |

19_N8915_00_0-C-001



FUEL SETTLING FILTER VENT HOSE BRACKET

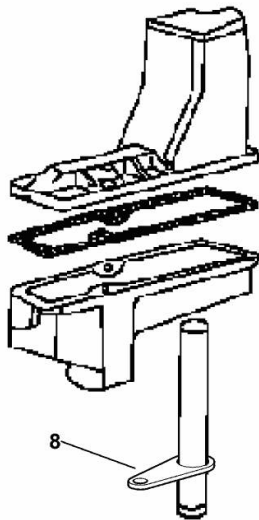
| Fig. | P/n | QTY | Name |
|------|-----|-----|------|
|------|-----|-----|------|

Notes:

[TIGER 70 E 2WD ->S10S653WX1E1001] [TIGER 70 E 4WD ->S10S653WT1E1001]

| | | | |
|---|--------------|---|---------|
| 8 | 0.075.1151.0 | 1 | bracket |
|---|--------------|---|---------|

19_O2884_50_0-B-001



<https://www.ebooklibonline.com>

Hello dear friend!

Thank you very much for reading.

Enter the link into your browser.

The full manual is available for immediate download.

<https://www.ebooklibonline.com>