

Section: B0 - ENGINE

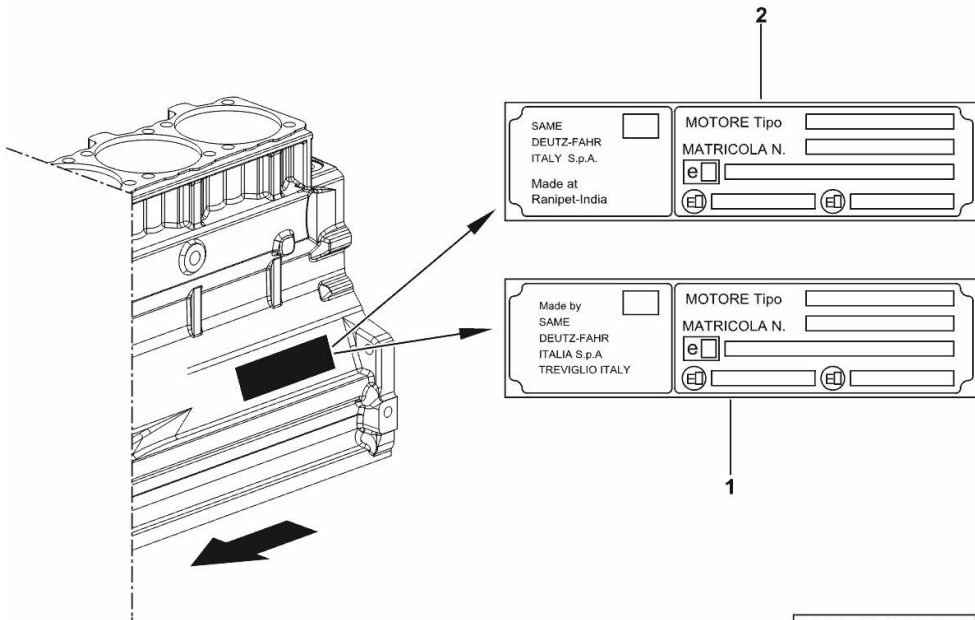
**ENGINE TYPE-APPROVAL DATA PLATE**

Fig.	P/n	QTY	Name
------	-----	-----	------

**Notes:**

[Tiger 65 2WD -> ZKDR9301W0RS01001] [Tiger 65 4WD -> ZKDR9302W0RS01001]

1	0.000.0000.1		cannot be supplied MADE BY TREVIGLIO ITALY
2	0.000.0000.1		cannot be supplied MADE AT RANIPET - INDIA



9\_STA000\_00\_0-A-001

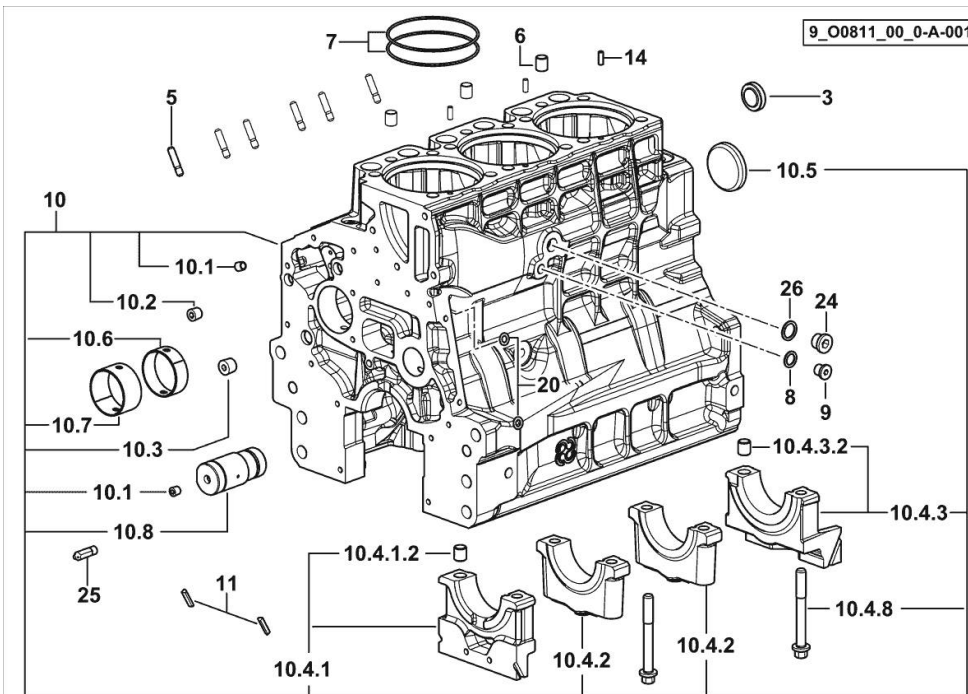
Section: B0 - ENGINE

**CRANKCASE**

Fig.	P/n	QTY	Name
------	-----	-----	------

**Notes:**

FOR ENGINES PRODUCED IN : TREVIGLIO ITALY [Tiger 65 4WD -> ZKDR9302W0RS01001] 1024 <- FOR ENGINES PRODUCED IN : TREVIGLIO ITALY [Tiger 65 2WD -> ZKDR9301W0RS01001] FOR ENGINES PRODUCED IN : TREVIGLIO ITALY [Tiger 65 4WD -> ZKDR9302W0RS01001]



3	2.3199.312.2/20	1	plug m 35x1.5x9.5
5	2.0439.279.7	6	stud bolt m 8 p.1 x 25
6	2.1559.188.2	3	bush 11.4 x 14 x16
7	2.1539.259.0	6	special oil seal 107.62x2.62
8	2.1560.010.0	1	gasket 14.2 x 20
9	2.3199.292.0	1	plug 1/4" gas
10	0.014.9911.4/30	1	crankcase
10.1	2.3130.001.1	12	plug 1/8" gas
10.2	2.3130.002.1	4	plug 1/4" gas
10.3	2.3130.003.1	2	plug 3/8" gas
10.4.1	0.065.1112.3	1	support
10.4.1.2	2.1699.165.0	1	bush 12.3x15x16
10.4.2	0.065.1114.0/10	2	support
10.4.3	0.065.1116.3	1	support
10.4.3.2	2.1699.165.0	1	bush 12.3x15x16
10.4.8	0.065.1117.0	8	screw m 12 x 100
10.5	2.3179.012.0	1	plug 60
10.6	0.065.1140.0	3	special bushing 59X55X20
10.7	0.065.1141.0	1	special bushing 59X55X30
10.8	0.014.1340.0/10	1	pin mm 85
11	0.066.1152.0/10	4	gasket
14	2.1549.154.2	3	bush 4.8x5.8x16
20	2.1470.004.2	4	lock washer 8
24	2.3120.101.0	1	plug m 18 p.1.5
25	0.013.4946.0/10	1	sprayer nozzle
26	2.1560.014.0	1	washer 18.2 x 24

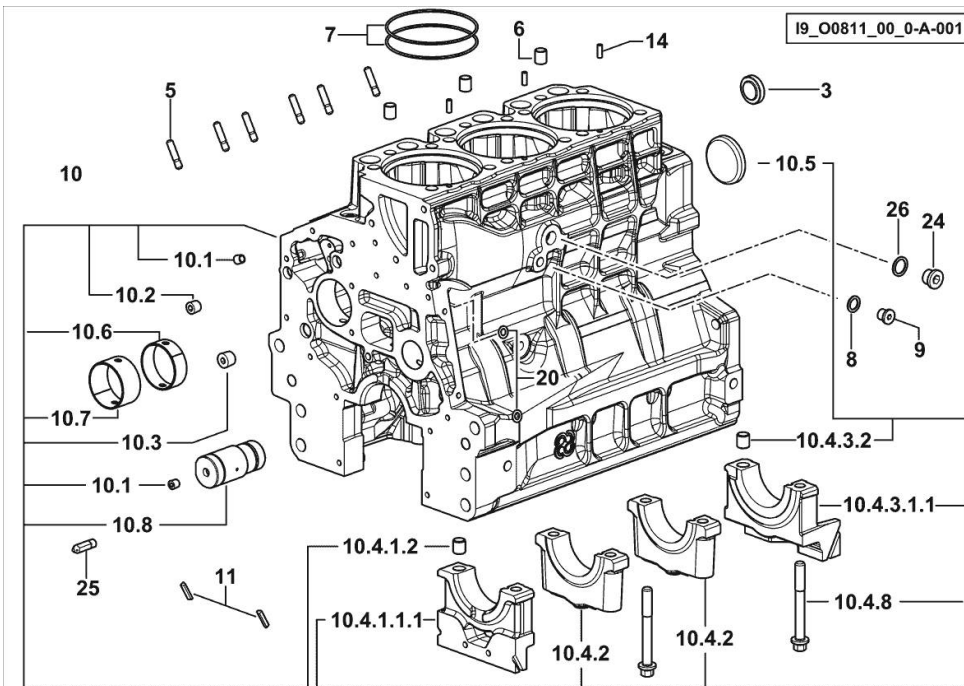
Section: B0 - ENGINE

**CRANKCASE**

Fig.	P/n	QTY	Name
------	-----	-----	------

**Notes:**

FOR ENGINES PRODUCED IN : RANIPET - INDIA [Tiger 65 2WD -> ZKDR9301W0RS01001] FOR ENGINES PRODUCED IN : RANIPET - INDIA [Tiger 65 4WD -> ZKDR9302W0RS01001] FOR ENGINES PRODUCED IN : RANIPET - INDIA [Tiger 65 2WD -> ZKDR9301W0RS01001] -> 1009 FOR ENGINES PRODUCED IN : RANIPET - INDIA [Tiger 65 4WD -> ZKDR9302W0RS01001] -> 1009



3	2.3199.312.2/20	1	plug m 35x1.5x9.5
5	2.0439.279.7	6	stud bolt m 8 p.1 x 25
6	2.1559.188.2	3	bush 11.4 x 14 x16
7	2.1539.259.0	6	special oil seal 107.62x2.62
8	2.1560.010.0	1	gasket 14.2 x 20
9	2.3199.292.0	1	plug 1/4" gas
10	0.014.9911.4/30	1	crankcase
10.1	2.3130.001.1	12	plug 1/8" gas
10.2	2.3130.002.1	4	plug 1/4" gas
10.3	2.3130.003.1	2	plug 3/8" gas
10.4.1.1.1	0.065.1112.7/10	1	support
10.4.1.2	2.1699.165.0	1	bush 12.3x15x16
10.4.2	0.065.1114.0/10	2	support
10.4.3.1.1	0.065.1116.7/10	1	support
10.4.3.2	2.1699.165.0	1	bush 12.3x15x16
10.4.8	0.065.1117.0	8	screw m 12 x 100
10.5	2.3179.012.0	1	plug 60
10.6	0.065.1140.0	3	special bushing 59X55X20
10.7	0.065.1141.0	1	special bushing 59X55X30
10.8	0.014.1340.0/10	1	pin mm 85
11	0.066.1152.0/10	4	gasket
14	2.1549.154.2	3	bush 4.8x5.8x16
20	2.1470.004.2	4	lock washer 8
24	2.3120.101.0	1	plug m 18 p.1.5
25	0.013.4946.0/10	1	sprayer nozzle
26	2.1560.014.0	1	washer 18.2 x 24

**<https://www.ebooklibonline.com>**

Hello dear friend!

Thank you very much for reading.

Enter the link into your browser.

The full manual is available for immediate download.

**<https://www.ebooklibonline.com>**

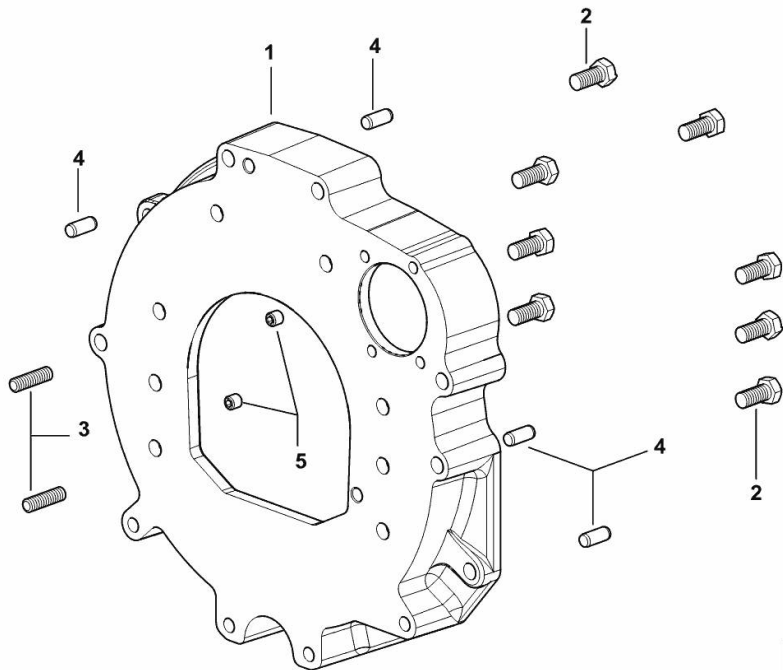
**MONOBLOC ENGINE-GEARBOX CONNECTING FLANGE**

Fig.	P/n	QTY	Name
------	-----	-----	------

**Notes:**

[Tiger 65 2WD -> ZKDR9301W0RS01001] [Tiger 65 4WD -> ZKDR9302W0RS01001]

1	0.015.8814.0	1	flange
2	2.0112.511.2	8	screw m 14 p.2 x 30
3	2.0432.255.7	2	stud bolt m 12 p.1.75-1.25x25
4	2.1651.912.0	4	cylindrical plug 12x28
5	2.0512.404.7	2	screw



I9\_38511\_01\_0-A-001

Section: B0 - ENGINE

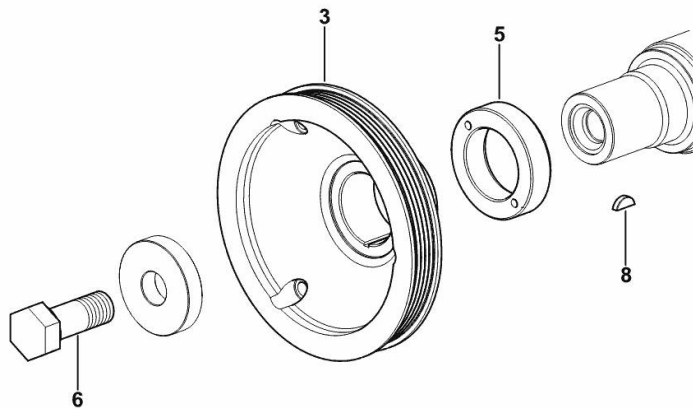
**CRANKSHAFT PULLEY**

Fig.	P/n	QTY	Name
------	-----	-----	------

**Notes:**

FOR ENGINES PRODUCED IN : TREVIGLIO ITALY [Tiger 65 4WD -&gt; ZKDR9302W0RS01001] 1002 &lt;-

3	0.015.6659.0	1	pulley OUTSIDE DIAMETER 167 mm
5	0.085.1248.0/20	1	hub
6	2.0399.144.7/10	1	screw m 20 p.1.5x51
8	2.1720.006.0	1	key 4x6.5



9\_M5012\_03\_0-A-001

Section: B0 - ENGINE

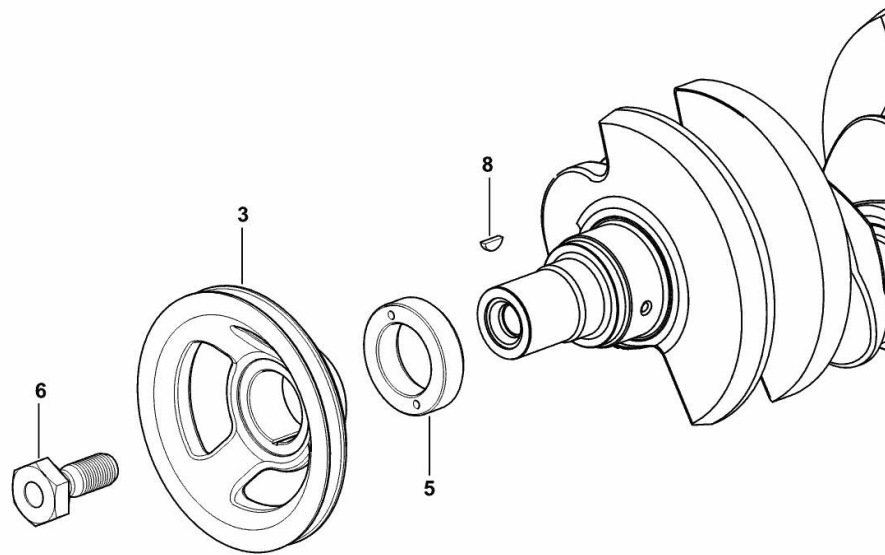
**CRANKSHAFT PULLEY**

Fig.	P/n	QTY	Name
------	-----	-----	------

**Notes:**

FOR ENGINES PRODUCED IN : TREVIGLIO ITALY [Tiger 65 4WD -> ZKDR9302W0RS01001] -> 1003 FOR ENGINES PRODUCED IN : TREVIGLIO ITALY [Tiger 65 2WD -> ZKDR9301W0RS01001] FOR ENGINES PRODUCED IN : TREVIGLIO ITALY [Tiger 65 4WD -> ZKDR9302W0RS01001]

3	0.007.1457.0/30	1	pulley
5	0.085.1248.0/20	1	hub
6	2.0399.144.7/10	1	screw m 20 p.1.5x51
8	2.1720.006.0	1	key 4x6.5



9\_33312\_02\_0-A-001

Section: B0 - ENGINE

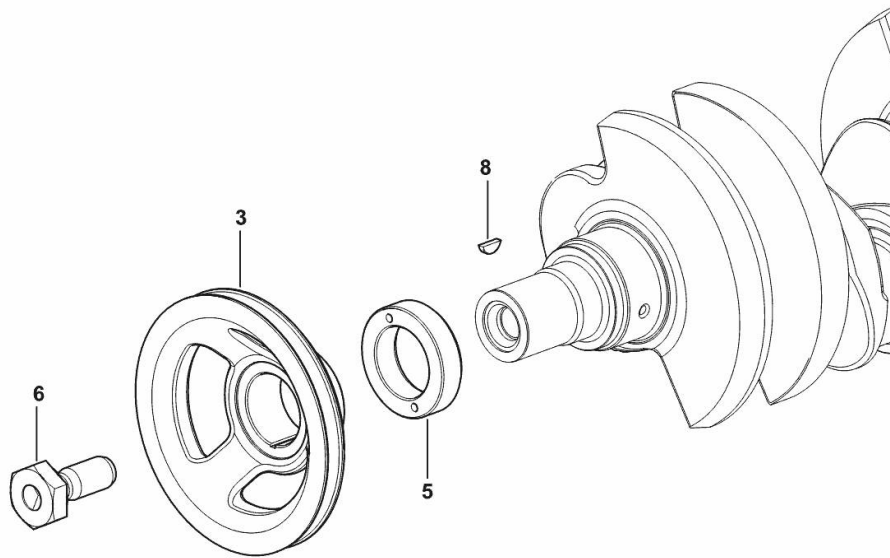
**CRANKSHAFT PULLEY**

Fig.	P/n	QTY	Name
------	-----	-----	------

**Notes:**

FOR ENGINES PRODUCED IN : RANIPET - INDIA [Tiger 65 2WD -> ZKDR9301W0RS01001] FOR ENGINES PRODUCED IN : RANIPET - INDIA [Tiger 65 4WD -> ZKDR9302W0RS01001]

3	0.007.1457.0/30	1	pulley
5	0.085.1248.0/20	1	hub
6	2.0399.144.7/10	1	screw m 20 p.1.5x51
8	2.1720.006.0	1	key 4x6.5



19\_33312\_02\_0-A-001

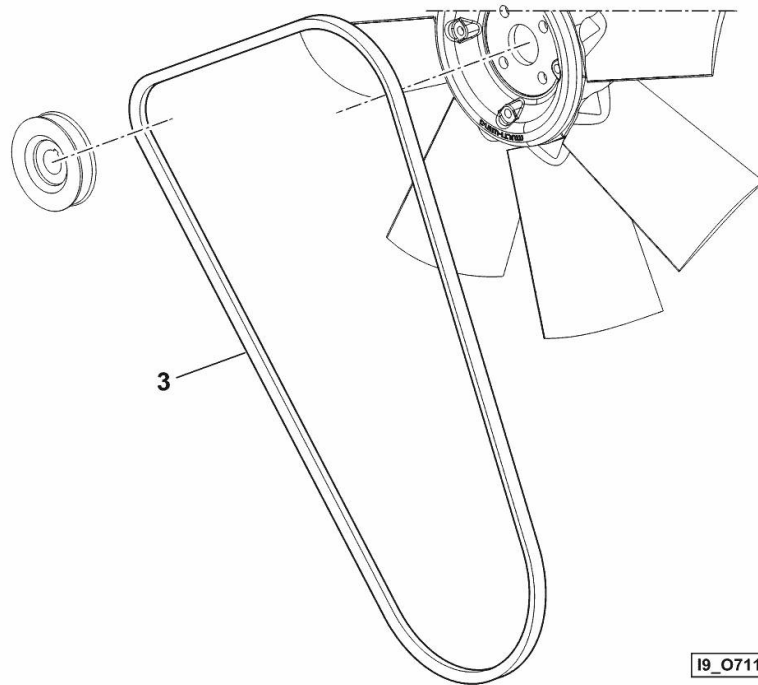
**BELT**

Fig.	P/n	QTY	Name
------	-----	-----	------

**Notes:**

[Tiger 65 2WD -> ZKDR9301W0RS01001] [Tiger 65 4WD -> ZKDR9302W0RS01001]

3	2.4119.198.0	1	vee belt AV 10.7x1240 mm
---	--------------	---	--------------------------



Section: B0 - ENGINE

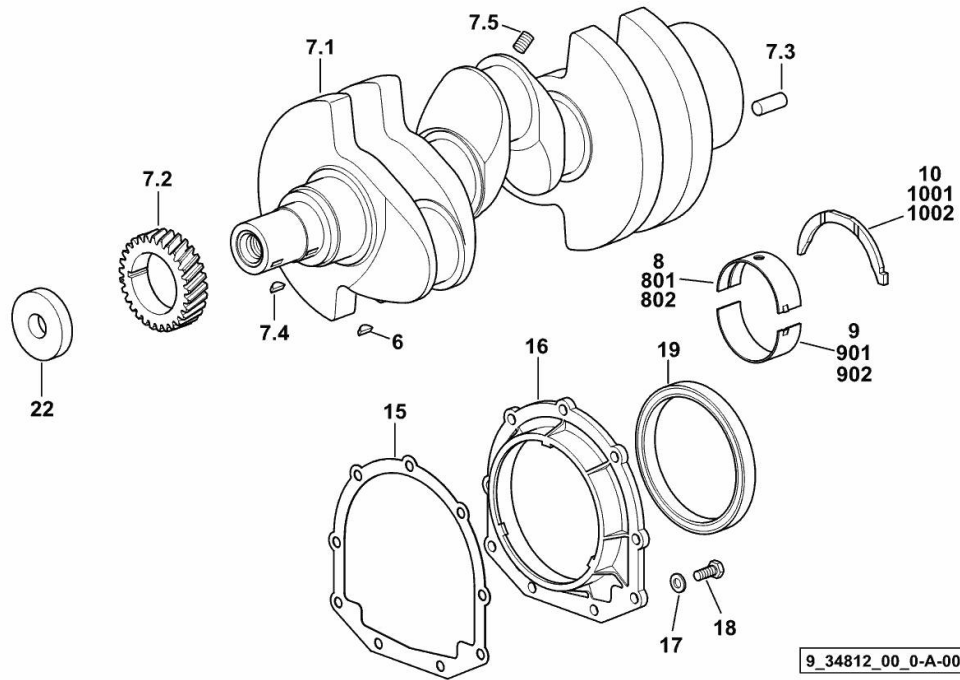
**CRANKSHAFT**

Fig.	P/n	QTY	Name
------	-----	-----	------

**Notes:**

FOR ENGINES PRODUCED IN : TREVIGLIO ITALY [Tiger 65 4WD -> ZKDR9302W0RS01001] 1024 <- FOR

ENGINES PRODUCED IN : TREVIGLIO ITALY [Tiger 65 2WD -> ZKDR9301W0RS01001] 1024 <-



6	2.1720.006.0	1	key 4x6.5
7.1	0.007.1554.0/20	1	crankshaft
7.2	0.065.1323.0/30	1	gear Z = 29
7.3	2.1651.915.0	1	pin 12x35
7.4	2.1720.006.0	1	key 4x6.5
7.5	2.3130.001.1	3	plug 1/8" gas
8	0.065.1215.0/10	4	main half bushing STANDARD
9	0.065.1216.0/10	4	main half bushing STANDARD
10	0.065.1218.0	4	shim STANDARD
15	0.065.1254.0/20	1	gasket
16	0.007.1711.0/10	1	cover
17	2.1475.002.2	9	conical washer 8
18	2.0112.207.2	9	screw m 8 p 1.25 x 20
19	2.1529.073.0	1	special oil seal 110x130x13
22	2.1599.524.7	1	washer 21x60x12
801	0.065.1215.7		main half bushing - mm 0.25
802	0.065.1215.8		main half bushing - mm 0.50
901	0.065.1216.7		main half bushing - mm 0.25
902	0.065.1216.8		main half bushing - mm 0.50
1001	0.065.1218.7		shim + mm 0.10
1002	0.065.1218.8		shim + mm 0.15

9\_34812\_00\_0-A-001

Section: B0 - ENGINE

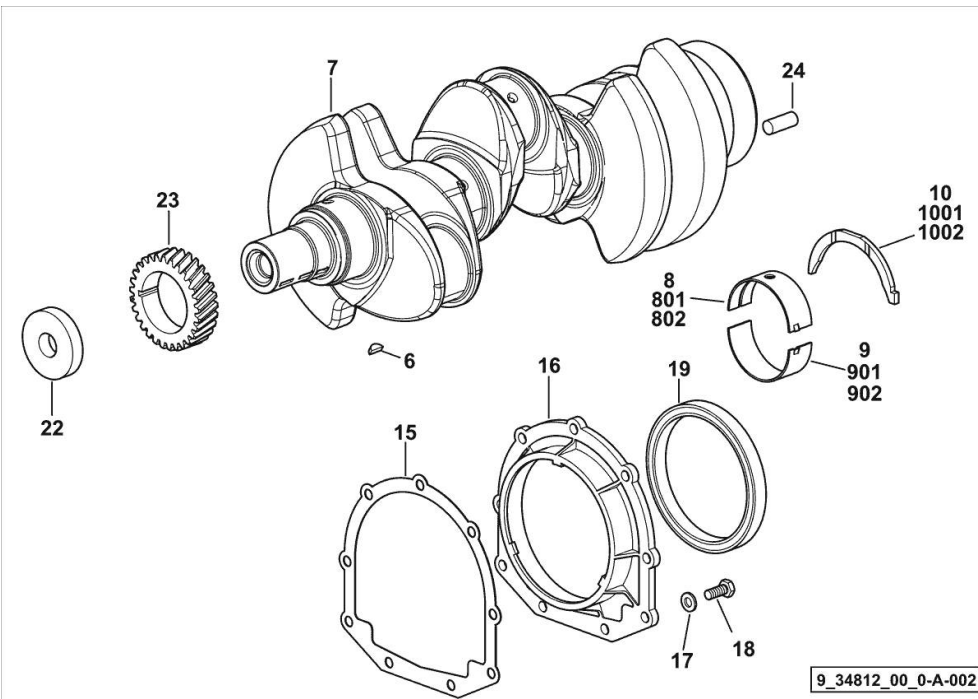
**CRANKSHAFT**

Fig.	P/n	QTY	Name
------	-----	-----	------

**Notes:**

FOR ENGINES PRODUCED IN : TREVIGLIO ITALY [Tiger 65 2WD -> ZKDR9301W0RS01001] FOR ENGINES

PRODUCED IN : TREVIGLIO ITALY [Tiger 65 4WD -> ZKDR9302W0RS01001]



6	2.1720.006.0	1	key 4x6.5
7	0.019.2255.0/20	1	crankshaft
8	0.019.5455.0	4	main half bushing STANDARD
9	0.019.5456.0	4	main half bushing STANDARD
10	0.065.1218.0	4	shim STANDARD
15	0.065.1254.0/20	1	gasket
16	0.007.1711.0/10	1	cover
17	2.1475.002.2	9	conical washer 8
18	2.0112.207.2	9	screw m 8 p 1.25 x 20
19	2.1529.073.0	1	special oil seal 110x130x13
22	2.1599.524.7	1	washer 21x60x12
23	0.065.1323.0/30	1	gear Z = 29
24	2.1651.915.0	1	pin 12x35
801	0.065.1215.7	-	main half bushing - mm 0.25
802	0.065.1215.8	-	main half bushing - mm 0.50
901	0.065.1216.7	-	main half bushing - mm 0.25
902	0.065.1216.8	-	main half bushing - mm 0.50
1001	0.065.1218.7	-	shim + mm 0.10
1002	0.065.1218.8	-	shim + mm 0.15

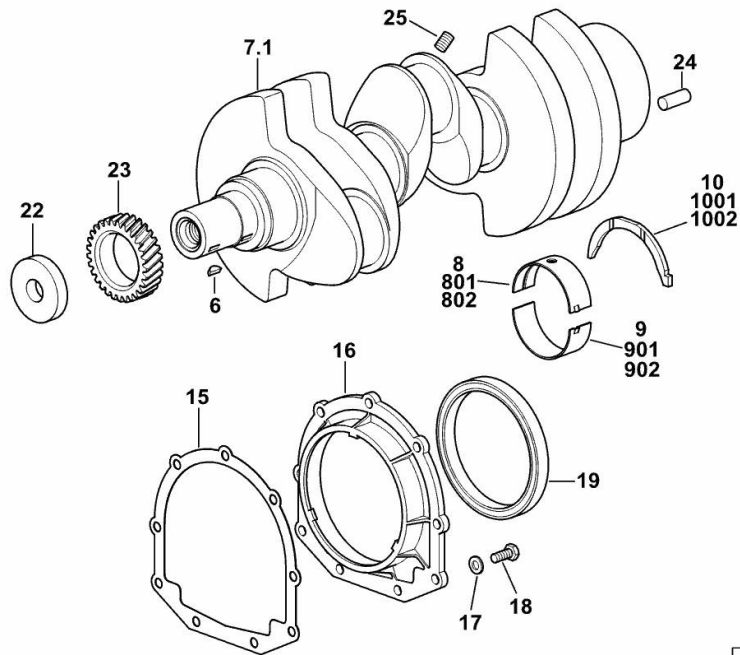
Section: B0 - ENGINE

**CRANKSHAFT**

Fig.	P/n	QTY	Name
------	-----	-----	------

**Notes:**

FOR ENGINES PRODUCED IN : RANIPET - INDIA [Tiger 65 2WD -> ZKDR9301W0RS01001] 1559 <- FOR ENGINES PRODUCED IN : RANIPET - INDIA [Tiger 65 4WD -> ZKDR9302W0RS01001] 1559 <- FOR ENGINES PRODUCED IN : RANIPET - INDIA [Tiger 65 4WD -> ZKDR9302W0RS01001]-> 1009 - 1559 <-



6	2.1720.006.0	1	key 4x6.5
7.1	0.007.1554.0/20	1	crankshaft
8	0.065.1215.0/10	4	main half bushing STANDARD
9	0.065.1216.0/10	4	main half bushing STANDARD
10	0.065.1218.0	4	shim STANDARD
15	0.065.1254.0/20	1	gasket
16	0.007.1711.0/10	1	cover
17	2.1475.002.2	9	conical washer 8
18	2.0112.207.2	9	screw m 8 p 1.25 x 20
19	2.1529.073.0	1	special oil seal 110x130x13
22	2.1599.524.7	1	washer 21x60x12
23	0.065.1323.0/30	1	gear Z = 29
24	2.1651.915.0	1	pin 12x35
25	2.3130.001.1	3	plug 1/8" gas
801	0.065.1215.7		main half bushing - mm 0.25
802	0.065.1215.8		main half bushing - mm 0.50
901	0.065.1216.7		main half bushing - mm 0.25
902	0.065.1216.8		main half bushing - mm 0.50
1001	0.065.1218.7		shim + mm 0.10
1002	0.065.1218.8		shim + mm 0.15

19\_O8312\_00\_0-A-001

Section: B0 - ENGINE

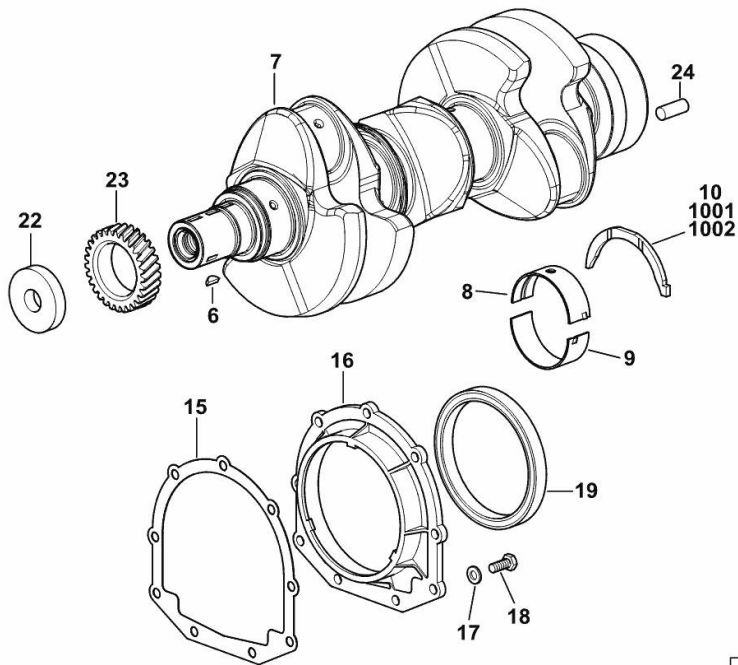
**CRANKSHAFT**

Fig.	P/n	QTY	Name
------	-----	-----	------

**Notes:**

FOR ENGINES PRODUCED IN : RANIPET - INDIA [Tiger 65 2WD -> ZKDR9301W0RS01001] -> 1560 FOR ENGINES PRODUCED IN : RANIPET - INDIA [Tiger 65 4WD -> ZKDR9302W0RS01001] -> 1560

6	2.1720.006.0	1	key 4x6.5
7	0.019.2255.0/30	1	crankshaft
8	0.019.5455.0	4	main half bushing STANDARD
9	0.019.5456.0	4	main half bushing STANDARD
10	0.065.1218.0	4	shim STANDARD
15	0.065.1254.0/20	1	gasket
16	0.007.1711.0/10	1	cover
17	2.1475.002.2	9	conical washer 8
18	2.0112.207.2	9	screw m 8 p 1.25 x 20
19	2.1529.073.0	1	special oil seal 110x130x13
22	2.1599.524.7	1	washer 21x60x12
23	0.065.1323.0/30	1	gear Z = 29
24	2.1651.915.0	1	pin 12x35
1001	0.065.1218.7		shim + mm 0.10
1002	0.065.1218.8		shim + mm 0.15



19\_O8312\_00\_0-A-002

Section: B0 - ENGINE

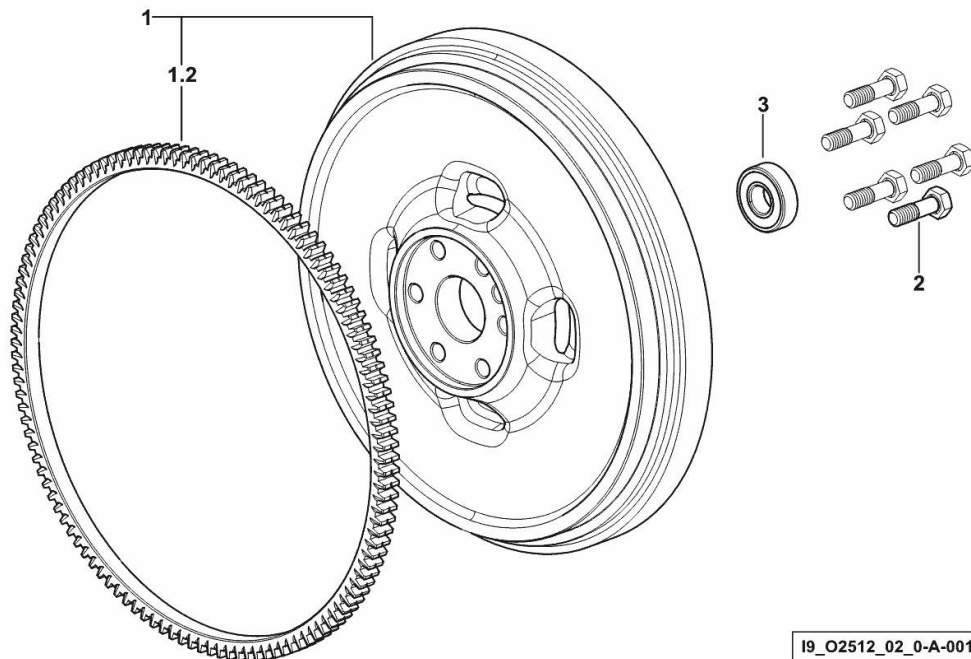
**ENGINE FLYWHEEL**

Fig.	P/n	QTY	Name
------	-----	-----	------

**Notes:**

[Tiger 65 2WD -> ZKDR9301W0RS01001] [Tiger 65 4WD -> ZKDR9302W0RS01001]

1	0.007.1617.3/30	1	flywheel
1.2	0.069.1242.0	1	crown wheel Z = 121
2	2.0119.174.0/10	6	screw m 12 p.1.25x45
3	2.2041.008.9	1	ball bearing 20x47x14



I9\_O2512\_02\_0-A-001



**Suggest:**

**For more complete manuals. Please go to the home page.**

**<https://www.ebooklibonline.com>**

**If the above button click is invalid. Please download this document first, and then click the above link to download the complete manual.**

**Thank you so much for reading**

Section: B0 - ENGINE

**CYLINDER - PISTON - CONNECTING ROD**

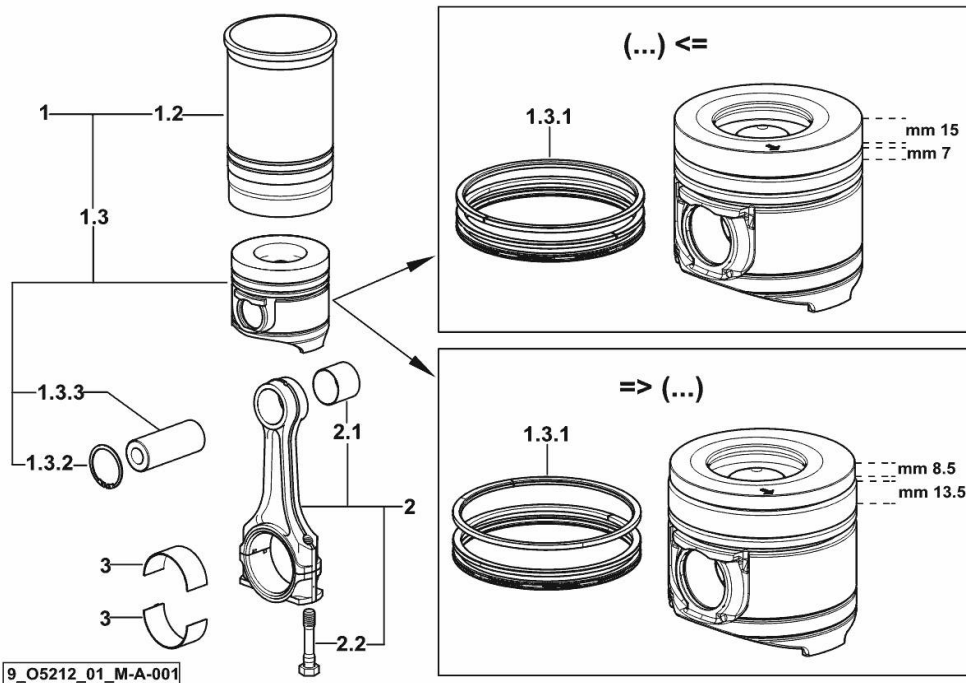


Fig.	P/n	QTY	Name
------	-----	-----	------

**Notes:**

FOR ENGINES PRODUCED IN : TREVIGLIO ITALY [Tiger 65 2WD -> ZKDR9301W0RS01001] FOR ENGINES

PRODUCED IN : TREVIGLIO ITALY [Tiger 65 4WD -> ZKDR9302W0RS01001]

1	0.O68.0065.A	3	cyl. piston assembly "A" (...) <= - CLASS A
1	0.O68.0065.B	3	cyl. piston assembly "B" (...) <= - CLASS B
1	0.Q92.0065.A	3	cyl. piston assembly "A" => (...) - CLASS A
1	0.Q92.0065.B	3	cyl. piston assembly "B" => (...) - CLASS B
1.2	0.A12.2675.0	1	engine cylinder "A" - CLASS A
1.2	0.B12.2675.0	1	engine cylinder "B" - CLASS B
1.3	0.O68.0060.A	1	complete piston "A" (...) <= - CLASS A
1.3	0.O68.0060.B	1	complete piston "B" (...) <= - CLASS B
1.3	0.Q92.0060.A	1	complete piston "A" => (...) - CLASS A
1.3	0.Q92.0060.B	1	complete piston "B" => (...) - CLASS B
1.3.1	0.081.0090.6/10	1	piston ring set (...) <=
1.3.1	0.Q92.0052.6	1	piston ring set => (...)
1.3.2	2.1411.014.1	2	circlip 35
1.3.3	0.078.1236.0	1	piston pin Ø 18 / Ø 35 / L = mm 86
2	0.014.5175.3	3	engine connecting rod
2.1	2.1559.255.0	1	special bushing 34.60x39.130x34.65
2.2	2.0399.213.0	2	screw m 12 p.1.25x61.5
3	0.065.1225.0	6	con.rod half bushing STANDARD - A = 28.75 -> 29.00
3	0.065.1225.7	6	con.rod half bushing - mm 0.25
3	0.065.1225.8	6	con.rod half bushing - mm 0.50

Section: B0 - ENGINE

**CYLINDER - PISTON - CONNECTING ROD**

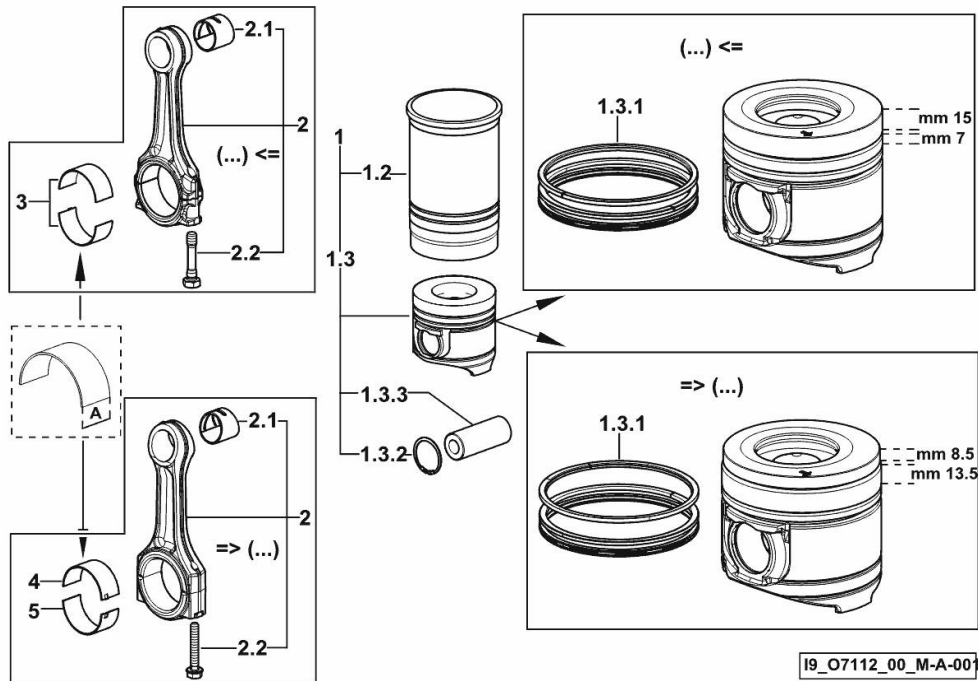


Fig.	P/n	QTY	Name
------	-----	-----	------

**Notes:**

FOR ENGINES PRODUCED IN : RANIPET - INDIA [Tiger 65 2WD -> ZKDR9301W0RS01001] FOR ENGINES

PRODUCED IN : RANIPET - INDIA [Tiger 65 4WD -> ZKDR9302W0RS01001]

1	0.O68.0065.A	3	cyl. piston assembly "A" (...) <= - CLASS A
1	0.O68.0065.B	3	cyl. piston assembly "B" (...) <= - CLASS B
1	0.Q92.0065.A	3	cyl. piston assembly "A" => (...) - CLASS A
1	0.Q92.0065.B	3	cyl. piston assembly "B" => (...) - CLASS B
1.2	0.A12.2675.0	3	engine cylinder "A" - CLASS A
1.2	0.B12.2675.0	3	engine cylinder "B" - CLASS B
1.3	0.O68.0060.A	1	complete piston "A" (...) <= - CLASS A
1.3	0.O68.0060.B	1	complete piston "B" (...) <= - CLASS B
1.3	0.Q92.0060.A	1	complete piston "A" => (...) - CLASS A
1.3	0.Q92.0060.B	1	complete piston "B" => (...) - CLASS B
1.3.1	0.081.0090.6/10	1	piston ring set (...) <=
1.3.1	0.Q92.0052.6	1	piston ring set => (...)
1.3.2	2.1411.014.1	2	circlip 35
1.3.3	0.078.1236.0	1	piston pin Ø 18 / Ø 35 / L = mm 86
2	0.014.5175.3	3	engine connecting rod (...) <=
2	0.019.2226.3/10	3	engine connecting rod => (...)
2.1	2.1559.255.0	1	special bushing 34.60x39.130x34.65 (...) <=
2.1	2.1559.532.0	1	special bushing 34.60x39.130x36.65 => (...)
2.2	2.0399.213.0	2	screw m 12 p.1.25x61.5 (...) <=
2.2	2.0399.365.0	2	screw m 10 p.1.25x61.5 => (...)
3	0.065.1225.0	6	con.rod half bushing STANDARD - A = 28.75 -> 29.00 (...) <=

**<https://www.ebooklibonline.com>**

Hello dear friend!

Thank you very much for reading.

Enter the link into your browser.

The full manual is available for immediate download.

**<https://www.ebooklibonline.com>**